

## Errata

**Title & Document Type:** 3585A Spectrum Analyzer Service Manual, Volume 2

**Manual Part Number:** 03583-90006V2

**Revision Date:** August 1, 1981

---

### HP References in this Manual

This manual may contain references to HP or Hewlett-Packard. Please note that Hewlett-Packard's former test and measurement, semiconductor products and chemical analysis businesses are now part of Agilent Technologies. We have made no changes to this manual copy. The HP XXXX referred to in this document is now the Agilent XXXX. For example, model number HP8648A is now model number Agilent 8648A.

### About this Manual

We've added this manual to the Agilent website in an effort to help you support your product. This manual provides the best information we could find. It may be incomplete or contain dated information, and the scan quality may not be ideal. If we find a better copy in the future, we will add it to the Agilent website.

### Support for Your Product

Agilent no longer sells or supports this product. You will find any other available product information on the Agilent Test & Measurement website:

[www.tm.agilent.com](http://www.tm.agilent.com)

Search for the model number of this product, and the resulting product page will guide you to any available information. Our service centers may be able to perform calibration if no repair parts are needed, but no other support from Agilent is available.



**HEWLETT  
PACKARD**

**SERVICE MANUAL**

**MODEL 3585A**

**SPECTRUM ANALYZER**

**Serial Numbers: 1750A00716 and greater**

**WARNING**

*To help minimize the possibility of electrical fire or shock hazards, do not expose this instrument to rain or excessive moisture.*

**VOLUME II**

**Manual Part No. 03585-90006**

**Microfiche Part No. 03585-90056**

©Copyright Hewlett-Packard Company 1979  
P.O. Box 301, Loveland, Colorado, 80537 U.S.A.

**Printed: August 1981**



### **CERTIFICATION**

*Hewlett-Packard Company certifies that this product met its published specifications at the time of shipment from the factory. Hewlett-Packard further certifies that its calibration measurements are traceable to the United States National Bureau of Standards, to the extent allowed by the Bureau's calibration facility, and to the calibration facilities of other International Standards Organization members.*

### **WARRANTY**

This Hewlett-Packard product is warranted against defects in material and workmanship for a period of one year from date of shipment [except that in the case of certain components listed in Section I of this manual, the warranty shall be for the specified period] . During the warranty period, Hewlett-Packard Company will, at its option, either repair or replace products which prove to be defective.

For warranty service or repair, this product must be returned to a service facility designated by -hp-. Buyer shall prepay shipping charges to -hp- and -hp- shall pay shipping charges to return the product to Buyer. However, Buyer shall pay all shipping charges, duties, and taxes for products returned to -hp- from another country.

Hewlett-Packard warrants that its software and firmware designated by -hp- for use with an instrument will execute its programming instructions when properly installed on that instrument. Hewlett-Packard does not warrant that the operation of the instrument, or software, or firmware will be uninterrupted or error free.

### **LIMITATION OF WARRANTY**

The foregoing warranty shall not apply to defects resulting from improper or inadequate maintenance by Buyer, Buyer-supplied software or interfacing, unauthorized modification or misuse, operation outside of the environmental specifications for the product, or improper site preparation or maintenance.

**NO OTHER WARRANTY IS EXPRESSED OR IMPLIED. HEWLETT-PACKARD SPECIFICALLY DISCLAIMS THE IMPLIED WARRANTIES OF MERCHANTABILITY AND FITNESS FOR A PARTICULAR PURPOSE.**

### **EXCLUSIVE REMEDIES**

**THE REMEDIES PROVIDED HEREIN ARE BUYER'S SOLE AND EXCLUSIVE REMEDIES. HEWLETT-PACKARD SHALL NOT BE LIABLE FOR ANY DIRECT, INDIRECT, SPECIAL, INCIDENTAL, OR CONSEQUENTIAL DAMAGES, WHETHER BASED ON CONTRACT, TORT, OR ANY OTHER LEGAL THEORY.**

### **ASSISTANCE**

*Product maintenance agreements and other customer assistance agreements are available for Hewlett-Packard products.*

*For any assistance, contact your nearest Hewlett-Packard Sales and Service Office. Addresses are provided at the back of this manual.*

**VOLUME I  
TABLE OF CONTENTS**

Section

- I. GENERAL INFORMATION
- II. INSTALLATION AND INTERFACE
- III. OPERATING OVERVIEW
- IV. PERFORMANCE TESTS
- V. ADJUSTMENTS
- VI. CIRCUIT FUNCTIONAL DESCRIPTIONS
- VII. BACKDATING

**VOLUME III  
TABLE OF CONTENTS**

Section

- XI. SERVICE

## VOLUME II TABLE OF CONTENTS

Section	Page
VIII. FAULT ISOLATION.....	8-1
8-1. Introduction.....	8-1
8-2. Test Equipment.....	8-1
8-3. Troubleshooting Hints.....	8-1
8-4. Input Section (SG A-1).....	8-2
8-8. Conversion Section (SG A-2).....	8-5
8-9. Third IF (SG A-3).....	8-5
8-10. Log Amplifier (SG A-4).....	8-6
8-11. Video Filter (SG A-5).....	8-6
8-12. Analog to Digital Converters (SG A-6).....	8-6
8-13. Reference Oscillator (SG B-1).....	8-6
8-18. Local Oscillator (SG B-2, B-3, B-4, B-5).....	8-9
8-19. Switching Power Supplies (SG I-1, 2).....	8-10
8-22. Tracking Generator (SG E).....	8-11
Section	Page
IX. REPLACEABLE PARTS.....	9-1
9-1. Introduction.....	9-1
9-2. Chassis Mounted and Miscellaneous Parts.....	9-1
9-3. Ordering Information.....	9-1
Section	Page
X. SCHEMATICS.....	10-1
10-1. Introduction.....	10-1

**LIST OF TABLES**

Table	Page
8-1. Index to Fault Isolation Information.....	8-2
8-2. 50Ω/75Ω Attenuator Test.....	8-3
8-3. 1 MΩ Attenuator Test.....	8-3
8-4. Loop Fault Analysis.....	8-10
8-5. Power Supply Voltages Test.....	8-11
9-1. Standard Abbreviations.....	9-2
9-2. Code List of Manufactures.....	9-3
9-3. Replaceable Parts.....	9-5
10-1. Instrument Functional Groups.....	10-1
10-2. List of Schematics.....	10-2



## **CATHODE-RAY TUBE WARRANTY AND INSTRUCTIONS**

The cathode-ray tube (CRT) supplied in your Hewlett-Packard Instrument and replacement CRT's purchased from -hp- are warranted by the Hewlett-Packard Company against electrical failure for a period of one year from the date of shipment from Colorado Springs. Broken tubes and tubes with phosphor or mesh burns are not included under this warranty. No other warranty is expressed or implied.

### **INSTRUCTION TO CUSTOMERS**

If the CRT is broken when received, a claim should be made with the responsible carrier. All warranty claims with Hewlett-Packard should be processed through your nearest Hewlett-Packard Sales/Service Office (listed at rear of instrument manual).

### **INSTRUCTIONS TO SALES/SERVICE OFFICE**

Return defective CRT in the replacement CRT packaging material. If packaging material is not available, contact CRT Customer Service in Colorado Springs. The Colorado Springs Division must evaluate all CRT claims for customer warranty, Material Failure Report (MFR) credit, and Heart System credit. A CRT Failure Report form (see reverse side of this page) must be completely filled out and sent with the defective CRT to the following address:

**HEWLETT-PACKARD COMPANY**  
1900 Garden of the Gods Road  
Colorado Springs, Colorado 80907

**Parcel Post Address:**  
P.O. Box 2197  
Colorado Springs, Colorado 80901

Attention: CRT Customer Service

Defective CRT's not covered by warranty may be returned to Colorado Springs for disposition. These CRT's, in some instances, will be inspected and evaluated for reliability information by our engineering staff to facilitate product improvements. The Colorado Springs Division is equipped to safely dispose of CRT's without the risks involved in disposal by customers or field offices. If the CRT is returned to Colorado Springs for disposal and no warranty claim is involved, write "Returned for Disposal Only" in item No. 5 on the form.

Do not use this form to accomplish CRT repairs. In order to have a CRT repaired, it must be accompanied by a customer service order (repair order) and the shipping container must be marked "Repair" on the exterior.

## LIST OF SCHEMATICS

Board Designator	SG/Schematic Number	Board Name	Page
A1	A-1a	Input/Conversion	10-5/10-6
A1	A-1b	Input/Conversion	10-7/10-8
A2-A5	A-2	Conversion Section	10-9/10-10
A14	A-4	Log Amplifier	10-17/10-18
A15	A-5	Video Filter	10-19/10-20
A16	A-6	Analog-To-Digital Converter	10-21
A17	A-3a	IF Filter No. 1	10-11/10-12
A18	A-3b	IF Gain	10-13/10-14
A19	A-3c	IF Filter No. 2	10-15/10-16
A21	B-1a	90/10MHz/Ref	10-23/10-24
A22	B-2a	First LO VTO	10-27/10-28
A23	B-3a	Step Synthesizer VTO	10-37/10-38
A24	B-2b	First LO Buffer	10-29/10-30
A25	B-2c	Sum Loop Mixer	10-31/10-32
A26	B-3b	Step Phase Detector	10-39/10-40
A27	B-2d	First LO VTO Control	10-33/10-34
A28	B-2e	Sum Loop Phase Detector	10-35/10-36
A31	B-4a	VTO and Dividers	10-41
A32	B-4b	Analog	10-43/10-44
A33	B-4c	Divided By N Counter	10-45/10-46
A34	B-5	Interface And Trigger	10-47/10-48
A41	C-1	Central Processor	10-49/10-50
A42	C-2	RAM Board	10-51/10-52
A43	C-3	ROM Board	10-53/10-54
A44	F	HP-IB Interface	10-75/10-76
A45	C-4	I/O Board	10-55/10-56
A45	C-5	I/O Board	10-57/10-58
A46	G-1	Counter	10-77/10-78
A47	C-6	Keyboard	10-59/10-60
A50/A51	E-1	Phase Detector	10-71/10-72
A52/A53	E-2	Tracking Generator/100.35MHz VCO	10-73/10-74
A61	D-1	Clock Generator	10-61/10-62
A62	H	X-Y Plotter	10-79/10-80
A63	D-2	Digital Display Driver	10-63/10-64
A64	D-3	Analog Display Driver	10-65/10-66
A65/A66	D-4b	Hi Voltage Board	10-69/10-70
A67	D-4a	XYZ Board	10-67/10-68
A71	I-2a	+ 7.7V Power Supply	10-85/10-86
A72	I-2b	+ 5V Power Supply	10-87/10-88
A73	I-2c	+ 18V, + 12V Power Supply	10-89/10-90
A74	I-2d	- 18V Power Supply	10-91/10-92
A75	I-1a	Power Supply Control	10-81/10-82
A76	I-1b	Power Distribution	10-83/10-84
A81	B-1b	Oven Oscillator	10-25/10-26



## SAFETY SUMMARY

***The following general safety precautions must be observed during all phases of operation, service, and repair of this instrument. Failure to comply with these precautions or with specific warnings elsewhere in this manual violates safety standards of design, manufacture, and intended use of the instrument. Hewlett-Packard Company assumes no liability for the customer's failure to comply with these requirements.***

### **GROUND THE INSTRUMENT.**

To minimize shock hazard, the instrument chassis and cabinet must be connected to an electrical ground. The instrument is equipped with a three-conductor ac power cable. The power cable must either be plugged into an approved three-contact electrical outlet or used with a three-contact to two-contact adapter with the grounding wire (green) firmly connected to an electrical ground (safety ground) at the power outlet. The power jack and mating plug of the power cable meet International Electrotechnical Commission (IEC) safety standards.

### **DO NOT OPERATE IN AN EXPLOSIVE ATMOSPHERE.**

Do not operate the instrument in the presence of flammable gases or fumes. Operation of any electrical instrument in such an environment constitutes a definite safety hazard.

### **KEEP AWAY FROM LIVE CIRCUITS.**

Operating personnel must not remove instrument covers. Component replacement and internal adjustments must be made by qualified maintenance personnel. Do not replace components with power cable connected. Under certain conditions, dangerous voltages may exist even with the power cable removed. To avoid injuries, always disconnect power and discharge circuits before touching them.

### **DO NOT SERVICE OR ADJUST ALONE.**

Do not attempt internal service or adjustment unless another person, capable of rendering first aid and resuscitation, is present.

### **USE CAUTION WHEN EXPOSING OR HANDLING THE CRT.**

Breakage of the Cathode-ray Tube (CRT) causes a high-velocity scattering of glass fragments (implosion). To prevent CRT implosion, avoid rough handling or jarring of the instrument. Handling of the CRT shall be done only by qualified maintenance personnel using approved safety mask and gloves.

### **DO NOT SUBSTITUTE PARTS OR MODIFY INSTRUMENT.**

Because of the danger of introducing additional hazards, do not install substitute parts or perform any unauthorized modification to the instrument. Return the instrument to a Hewlett-Packard Sales and Service Office for service and repair to ensure that safety features are maintained.

### **DANGEROUS PROCEDURE WARNINGS.**

Warnings, such as the example below, precede potentially dangerous procedures throughout this manual. Instructions contained in the warnings must be followed.

**WARNING**

**Dangerous voltages, capable of causing death, are present in this instrument.  
Use extreme caution when handling, testing, and adjusting.**

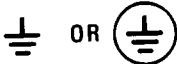
### General Definitions of Safety Symbols Used On Equipment



Instruction manual symbol: the product will be marked with this symbol when it is necessary for the user to refer to the instruction manual in order to protect against damage to the instrument.



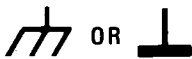
Indicates dangerous voltage (terminals fed from the interior by voltage exceeding 1000 volts must be so marked).



Protective conductor terminal. For protection against electrical shock in case of a fault. Used with field wiring terminals to indicate the terminal which must be connected to ground before operating equipment.



Low-noise or noiseless, clean ground (earth) terminal. Used for a signal common, as well as providing protection against electrical shock in case of a fault. A terminal marked with this symbol must be connected to ground in the manner described in the installation (operating) manual, and before operating the equipment.



Frame or chassis terminal. A connection to the frame (chassis) of the equipment which normally includes all exposed metal structures.



Alternating current (power line).



Direct current (power line).



Alternating or direct current (power line).



The WARNING sign denotes a hazard. It calls attention to a procedure, practice, or the like, which, if not correctly performed or adhered to, could result in personal injury.



The CAUTION sign denotes a hazard. It calls attention to an operating procedure, practice, or the like, which if not correctly performed or adhered to, could result in damage to or destruction of part or all of the product.

# **SECTION VIII**

## **FAULT ISOLATION**

### **8-1. INTRODUCTION**

The Fault Isolation information found in this section is designed to assist the experienced 3585A service technician in identifying which functional area (Service Group) has failed within the -hp- 3585A under test. New technicians or technicians with little or no experience on the -hp- 3585A may find the troubleshooting procedures given in Volume Three more applicable to their needs. Experienced technicians may also find Volume Three very helpful in isolating faulty components within a specific functional area of the instrument.

As always, it is recommended that power supply operation be verified before spending excessive time troubleshooting other parts of the instrument. If front panel symptoms point to some specific functional area, use your experience and these Fault Isolation procedures in whatever way you feel best. (See Figure 8-4. Fault Isolation Block Diagram.)

### **8-2. TEST EQUIPMENT**

These checks and procedures are designed to be made without the use of specialized test equipment. A 100 MHz oscilloscope with a 10:1 probe was used for all measurements; however, dc voltages can be measured for specified tolerances by using a digital voltmeter. Where input signals are required, a frequency synthesizer capable of generating a 150 kHz, 0 dBm signal and a 10 MHz, -25 dBm signal is necessary. An -hp- 3325 was used in developing these procedures.

### **8-3. TROUBLESHOOTING HINTS**

- intermittent cables can appear to be true hardware failures
- noise or spikes on the dc power supplies can cause the instrument to fail
- interpret front panel symptoms before beginning any extensive troubleshooting
- measurements made in the Fault Isolation information section are approximate values unless specified otherwise. Some tests are as simple as GO/NO GO
- it is possible that the A2 circuit board can load the A1 circuit board resulting in an apparent A1 Failure

**Table 8-1. Index to Fault Isolation Information**

Functional Area Under Test	Paragraph
Input Section (SG A-1)	8-4
Conversion Section (SG A-2)	8-8
Third IF (SG A-3)	8-9
Log Amplifier (SG A-4)	8-10
Video Filter (SG A-5)	8-11
Analog to Digital Converter (SG A-6)	8-12
Reference Oscillator (SG B-1)	8-13
Local Oscillator (SG B-2, B-3, B-4, B-5)	8-18
Switching Power Supplies (SG I-1, I-2)	8-19
Tracking Generator (SG E)	8-22
Fault Isolation Block Diagram	Figure 8-4

**8-4. Input Section (SG A-1) A**

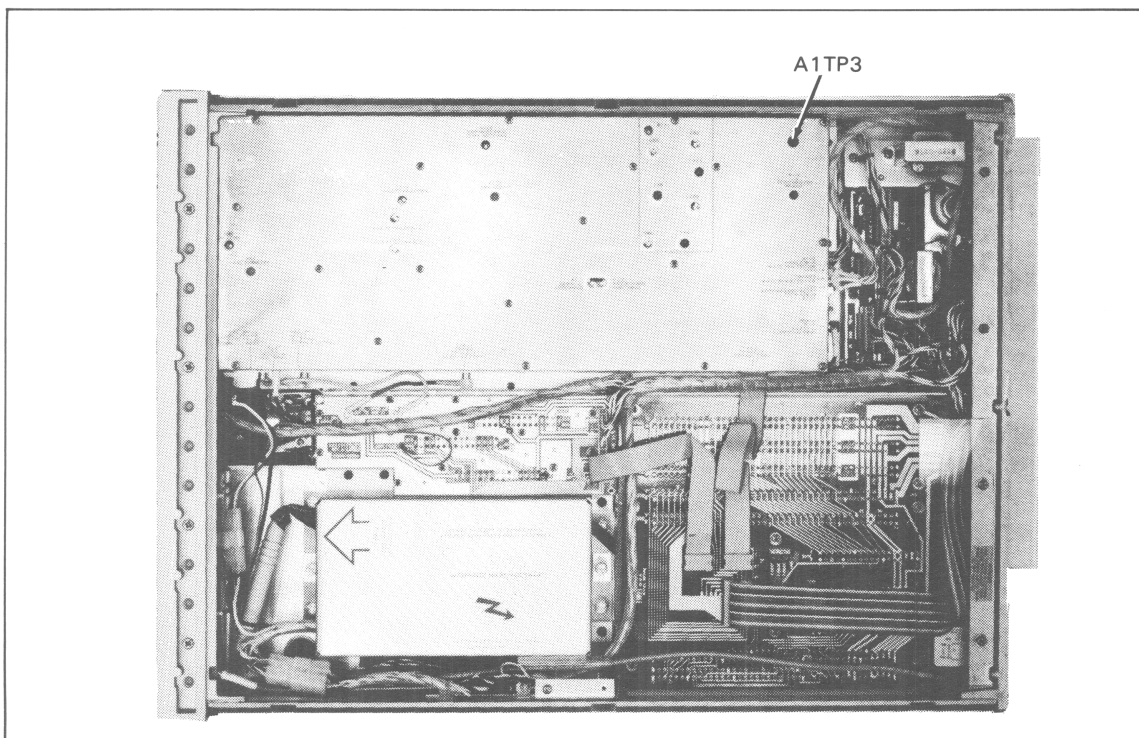
**8-5. Stage Gain Test**

1. Input a 150 kHz, -10 dBm signal at the Terminated Input.
2. Set the 3585A as follows:

```

INSTRUMENT PRESET
RANGE..... -25 dBm
MANUAL..... 150 kHz
    
```

3. Signal at A1TP3 should read approximately .25 vp-p ± .03V at 150 kHz. (sinewave).



**Figure 8-1. Input Section, A1TP3**

**8-6. Attenuator Test (50/75 ohm Termination)**

1. Set the 3585A as follows:

```

INSTRUMENT PRESET
RECALL ..... 605
INSTRUMENT PRESET
    
```

2. Set instrument RANGE to that shown in Table 8-2 and verify the marker reading.

**Table 8-2. 50Ω/75Ω Attenuator Test**

Range	Marker Reading	Attenuator Under Test
- 25 dBm	- 25 dBm ± 1 dBm	zero attenuation
- 20 dBm	- 25 dBm ± 1 dBm	5 dB pad
- 15 dBm	- 25 dBm ± 1 dBm	10 dB pad
- 5 dBm	- 25 dBm ± 1 dBm	1st high power 20 dB pad
+ 15 dBm	- 25 dBm ± 1 dBm	2nd 20 dB pad

**NOTE**

*Failure in the -25dBm range (zero attenuation) may be caused by a relay failing in the closed position.*

**8-7. Attenuator Test (1 Meg ohm Termination)**

1. Input a 10 MHz, - 25 dBm signal at the 1 Meg ohm Input. (Use feed-thru termination to match source impedance.)

2. Set the 3585A as follows:

```

INSTRUMENT PRESET
INPUT IMPEDANCE.....1 M OHM
MANUAL.....10 MHz
    
```

3. Set instrument RANGE to that shown in Table 8-3 and verify the marker reading.

**Table 8-3. 1 MΩ Attenuator Test**

Range	Marker Reading	Attenuator Under Test
- 25 dBm	- 25 dBm ± 1 dBm	zero attenuation
- 20 dBm	- 25 dBm ± 1 dBm	5 dB pad post pad
- 15 dBm	- 25 dBm ± 1 dBm	10 dB pad post pad
- 5 dBm	- 25 dBm ± 1 dBm	20 dB high power 1 Meg ohm pad
+ 15 dBm	- 25 dBm ± 1 dBm	20 dB 1 Meg ohm pad

**NOTE**

*Failure in the -25dBm range (zero attenuation) may be caused by a relay failing in the closed position.*

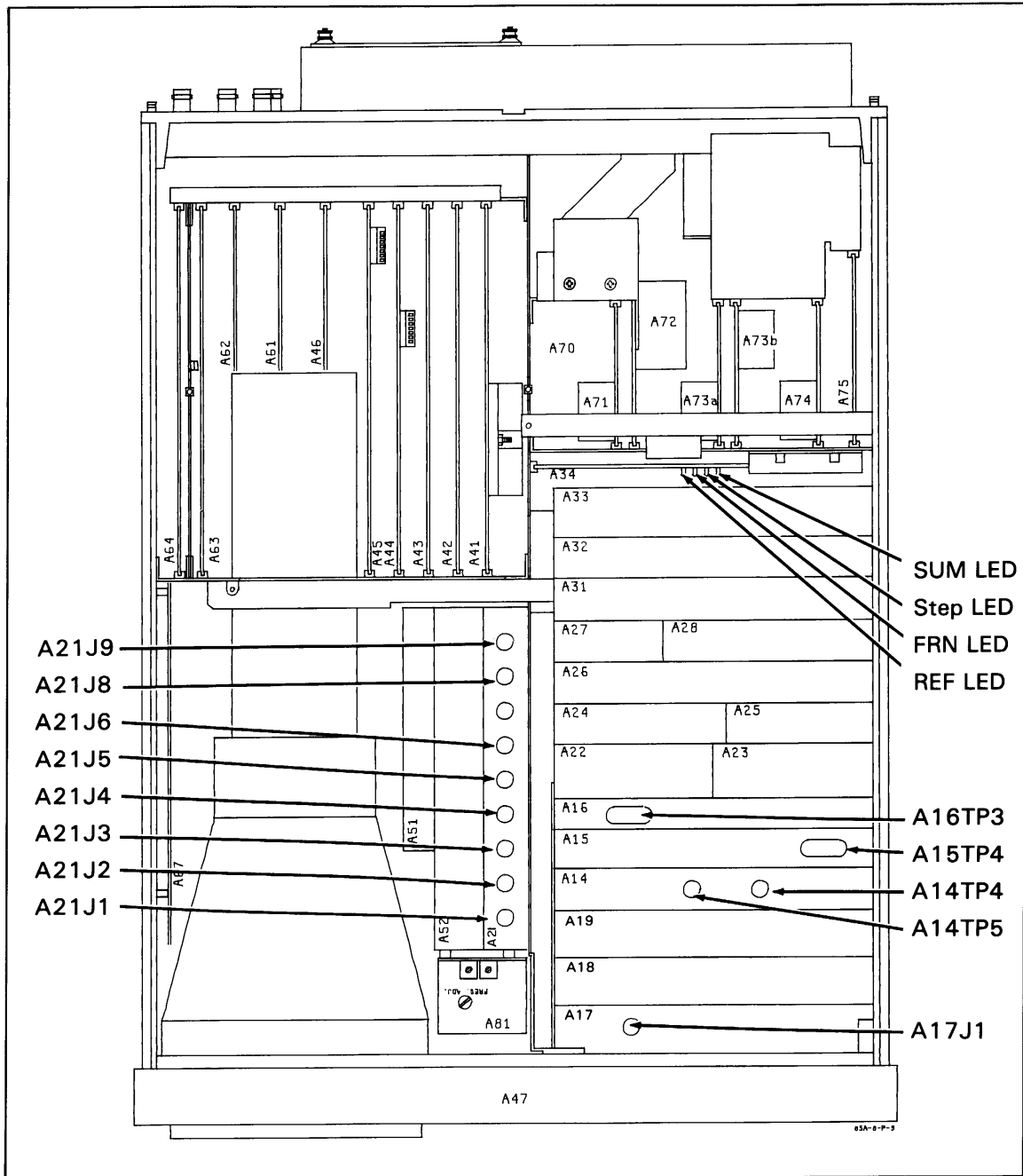


Figure 8-2. Signal Test Point Locations

**8-8. Conversion Section (SG A-2) B**

1. Input a 10 MHz, -25 dBm signal at the Terminated Input.
2. Set the 3585A as follows:

```

INSTRUMENT PRESET
MANUAL.....10 MHz
RANGE..... -25 dBm
    
```

3. Disconnect the green cable (W-23) going to A17J1.

**NOTE**

*Ignore calibration error messages.*

4. Signal measured at disconnected end of the W-23 cable should be between .45v p-p to 1v p-p. Typical is .5v p-p at 350 kHz. (sinewave)
5. Reconnect the green W-23 cable to A17J1.

**NOTE**

*If measured signal is out of range, check the Input Section and the Local Oscillator signals to the Conversion Section.*

**8-9. Third IF (SG A-3) C**

1. Input a 10 MHz, -25 dBm signal at the Terminated Input.
2. Set the 3585A as follows:

```

INSTRUMENT PRESET
MANUAL.....10 MHz
RANGE..... -25 dBm
RES BW.....30 kHz
COUNTER ..... on
MARKER to CENTER FREQUENCY
    
```

3. Signal at A14TP5 should read between .56v p-p and .85v p-p at 350 kHz. (sinewave)

**NOTE**

*Each time the RES BW is changed, wait for the instrument to autocalibrate.*

4. Step the instrument through all RES BW. Signal at A14TP5 should remain constant.

**8-10. Log Amplifier (SG A-4) D**

1. Input a 10 MHz, -25 dBm signal at the Terminated Input.
2. Set the 3585A as follows:

```

INSTRUMENT PRESET
MANUAL.....10 MHz
RANGE..... -25 dBm
RES BW.....30 kHz

```

3. Voltage at A14TP4 should be  $-5.7V \pm 0.3V$ .

**8-11. Video Filter (SG A-5) E**

1. Input a 10 MHz, -25 dBm signal at the Terminated Input.
2. Set the 3585A as follows:

```

INSTRUMENT PRESET
MANUAL.....10 MHz
RANGE..... -25 dBm
RES BW.....30 kHz

```

3. Voltage at A15TP4 should be  $5.0V \pm 0.2V$ .

**8-12. Analog to Digital Converter (SG A-6) F**

1. Input a 10 MHz, -25 dBm signal at the Terminated Input.
2. Set the 3585A as follows:

```

INSTRUMENT PRESET
MANUAL.....10 MHz
RANGE..... -25 dBm
RES BW.....30 kHz

```

3. Voltage at 16TP3 should be  $9.8V \pm 0.1V$ .

**8-13. Reference Oscillator (SG B-1) G**

**8-14. Go/No Go Test**

1. Turn the 3585A power on.
2. Check that the REFerence LED on the A34 board is not illuminated.



**NOTE**

*If the REF LED is illuminated, the 90 MHz VCXO on the A21 board is not locked.*

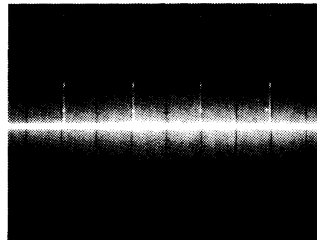
*If the REF LED is not illuminated, the 90 MHz VCXO is operating. This does not however mean that all clock and oscillator signals generated on the A21 board are operating properly.*

**NOTE**

*The 10 MHz and 90 MHz signals going to the Conversion Section are not tested as part of these procedures. To test these signals, see schematic B-1 for test points.*

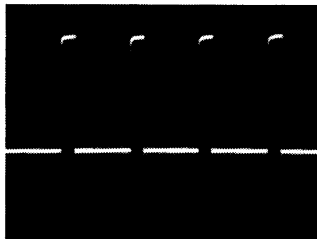
**8-15. 100 kHz Signal Test**

1. Turn the 3585A power on.
2. Disconnect cable from A21J8.
3. Check A21J8 for the signal shown.



A21J8  
5 usec/DIV  
.1 volts/DIV  
10:1 probe (ac coupled)

4. Reconnect cable to A21J8.
5. Disconnect cable from A21J9.
6. Check A21J9 for the signal shown.

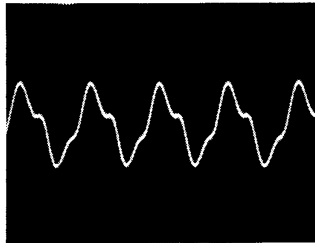


A21J9  
5 usec/DIV  
.1 volts/DIV  
10:1 probe (ac coupled)

7. Reconnect cable to A21J9.

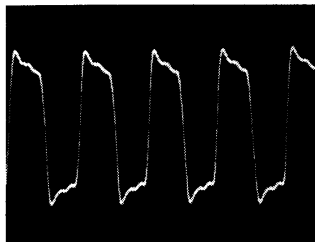
**8-16. 10 MHz Signal Test.**

1. Turn the 3585A power on.
2. Disconnect cables from A21J3 and A21J4.
3. Check A21J3 and A21J4 for the signal shown.



A21J3 & A21J4  
.05 usec/DIV  
.05 volts/DIV  
10:1 probe (ac coupled)

4. Reconnect both cables.
5. Disconnect cable from A21J5.
6. Check A21J5 for the signal shown.



A21J5  
5 usec/DIV  
.2 volts/DIV  
10:1 probe (ac coupled)

7. Reconnect cable to A21J5.
8. Disconnect cable from A21J6.
9. Check A21J6 for the signal shown.

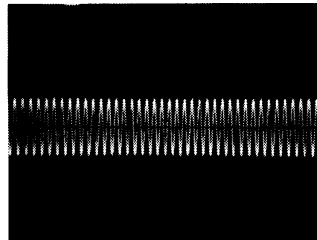


A21J6  
.05 usec/DIV  
.05 volts/DIV  
10:1 probe (ac coupled)

10. Reconnect cable to A21J6.

**8-17. 90 MHz Signal Test.**

1. Turn the 3585A power on.
2. Disconnect cables from A21J1 and A21J2.
3. Check A21J1 and A21J2 for the signal shown.



A21J1 & A21J2  
 .05 usec/DIV  
 .05 volts/DIV  
 10:1 probe (ac coupled)

4. Reconnect both cables.

**8-18. Local Oscillator (SG B-2, B-3, B-4, B-5) H**

1. Turn the 3585A power on.
2. Set the 3585A as follows:

INSTRUMENT PRESET  
 RES BW.....3 kHz

3. Check that the FRN LED and SUM LED on the A34 board are blinking, and the STEP LED and REF LED are off.

4. Set the 3585A as follows:

RES BW.....10 kHz

5. Check that the FRN LED on the A34 board is blinking, and all other LEDs are off.

6. Set the 3585A as follows:

SWEEP ..... manual

7. Check that all LEDs on the A34 board are off.

Table 8-4 will assist you in isolating failures by interpreting the various combinations of LEDs.

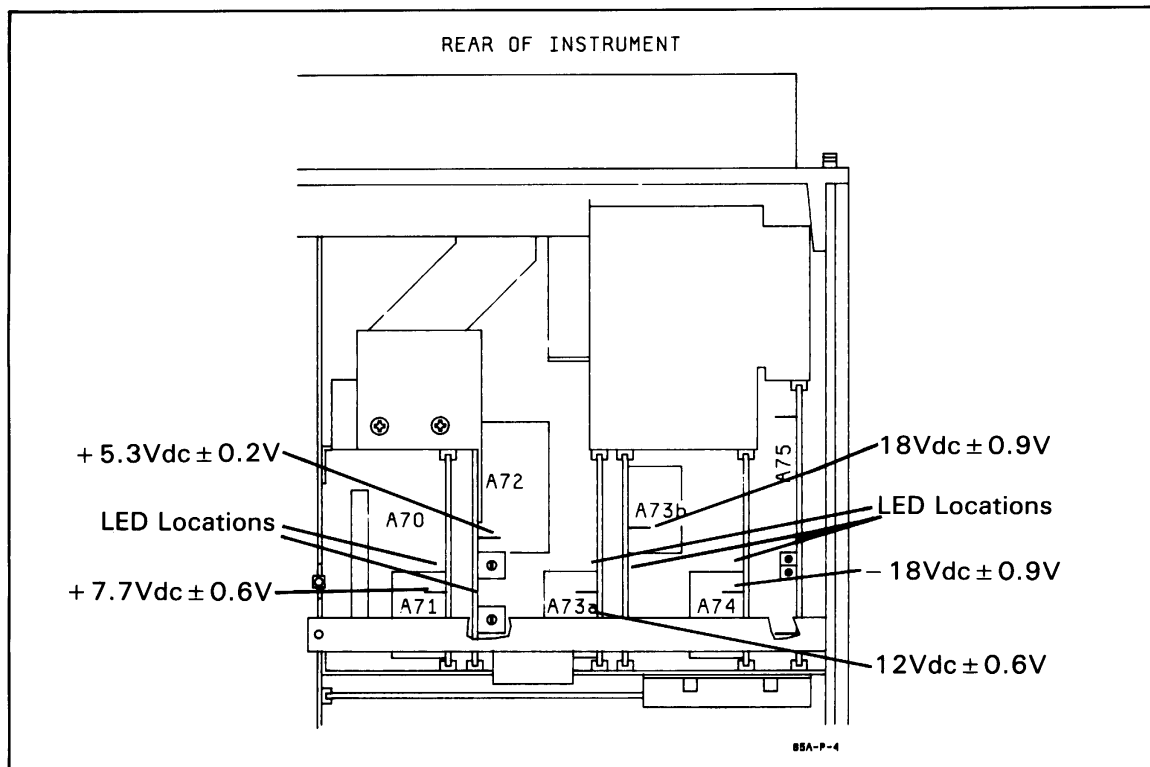
**Table 8-4. Loop Fault Analysis**

Multiple Loop (RBW ≤ 3 kHz)		Single Loop (RBW ≥ 10 kHz)	Potential Problem Area
FRN LED	SUM LED	FRN LED	
good	good	bad	A31, 27, 24, and (A32 bias)
good	bad	good	A24, 25, 27, 28, (A23, 26, 31)
good	bad	bad	A27, 24, 22, (A31)
bad	good	good	A31, (A32 S/H)
bad	good	bad	A31, 33, 32, 34, A21, (A27)
bad	bad	good	A31, (A32 S/H)
bad	bad	bad	A31, 33, 32, 34, A21, (A27)
good = blinking      bad = on or off			
REF LED on: A21 is bad			
STEP LED on: A21, 23, 26, (A27) bad			

**NOTE**

*Potential problem boards are listed in order of most probable cause. If possible, board substitution is the fastest way to identify failures in the LO section of the instrument.*

**8-19. Switching Power Supplies (SG I-1,2)**



**Figure 8-3. Power Supply Voltage Indicators And Test Points**

**8-20. Go/No Test**

1. Turn the 3585A power on.
2. On the A71, A72, A73a, A73b, and A74 boards, check that the Green LED is illuminated, and that the Yellow LED is not illuminated.

**NOTE**

*Illumination of the Green LED indicates that dc voltage is present. It does not indicate that the voltage is within specified limits.*

*Illumination of the Yellow LED indicates that dc voltage generated by the specific board has been shut-down due to excessive current being drawn from the supply.*

**8-21. Voltage Test**

1. Turn the 3585A power on.
2. Check the following test points for the voltages indicated.

**Table 8-5. Power Supply Voltages Test**

Power Supply	Test Point	Required Voltage
+ 7.7V	A71P1	+ 7.7V ± 0.6V
+ 5.0V	A72TP1	+ 5.3V ± 0.2V
+ 12.0V	A73aTP1	+ 12V ± 0.6V
+ 18.0V	A73bTP1	+ 18V ± 0.9V
- 18.0V	A74TP1	- 18V ± 0.9V

**8-22. Tracking Generator (SG E) **J****

1. Set the 3585A as follows:

INSTRUMENT PRESET  
 MANUAL.....10 MHz  
 RES BW.....3 kHz  
 TRACKING GENERATOR AMPLITUDE..... - 11 dBm

2. Signal at Tracking Generator Output should read approximately .5v p-p at 10 MHz. (no load)

3. Set the 3585A as follows:

TRACKING GENERATOR AMPLITUDE.....0 dBm

4. Signal at Tracking Generator Output should read approximately 1.5v p-p at 10 MHz. (no load)

5. Set the 3585A as follows:

RES BW.....10 kHz

6. Repeat steps 2 through 4.

## LIST OF SCHEMATICS

Board Designator	SG/Schematic Number	Board Name
A1	A-1a	Input/Conversion
A1	A-1b	Input/Conversion
A2-A5	A-2	Conversion Section
A14	A-4	Log Amplifier
A15	A-5	Video Filter
A16	A-6	Analog-To-Digital Converter
A17	A-3a	IF Filter No. 1
A18	A-3b	IF Gain
A19	A-3c	IF Filter No. 2
A21	B-1a	90/10MHz/Ref
A22	B-2a	First LO VTO
A23	B-3a	Step Synthesizer VTO
A24	B-2b	First LO Buffer
A25	B-2c	Sum Loop Mixer
A26	B-3b	Step Phase Detector
A27	B-2d	First LO VTO Control
A28	B-2e	Sum Loop Phase Detector
A31	B-4a	VTO and Dividers
A32	B-4b	Analog
A33	B-4c	Divided By N Counter
A34	B-5	Interface And Trigger
A41	C-1	Central Processor
A42	C-2	RAM Board
A43	C-3	ROM Board
A44	F	HP-IB Interface
A45	C-4	I/O Board
A45	C-5	I/O Board
A46	G-1	Counter
A47	C-6	Keyboard
A50/A51	E-1	Phase Detector
A52/A53	E-2	Tracking Generator/100.35MHz VCO
A61	D-1	Clock Generator
A62	H	X-Y Plotter
A63	D-2	Digital Display Driver
A64	D-3	Analog Display Driver
A65/A66	D-4b	Hi Voltage Board
A67	D-4a	XYZ Board
A71	I-2a	+7.7V Power Supply
A72	I-2b	+5V Power Supply
A73	I-2c	+18V, +12V Power Supply
A74	I-2d	-18V Power Supply
A75	I-1a	Power Supply Control
A76	I-1b	Power Distribution
A81	B-1b	Oven Oscillator

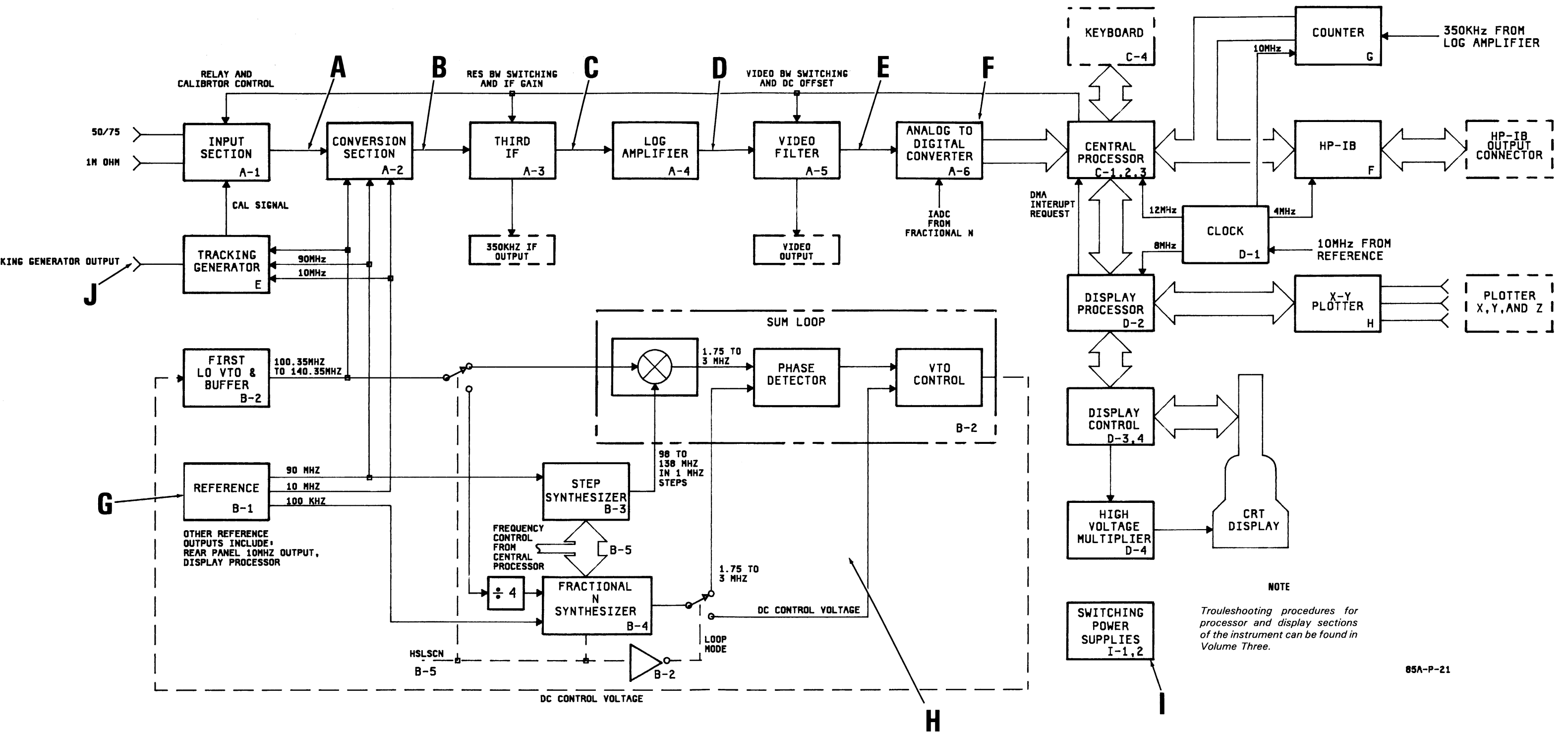


Figure 8-4. 3585A Block Diagram  
8-13/8-14



# **SECTION IX**

## **REPLACEABLE PARTS**

### **9-1. INTRODUCTION**

This section contains information for ordering replacement parts. Table 9-3 lists the parts in alphanumeric order of their reference designators and provides the following information:

- a. -hp- Part Number.
- b. Total quantity used in the instrument (Qty column). The total quantity of a part is given the first time the part number appears.
- c. Description of the part. (See Table 9-1 for abbreviations.)
- d. Typical manufacturer of the part in a five-digit code. (See Table 9-2 for list of manufacturers.)
- e. Manufacturer's part number.

### **9-2. Chassis Mounted and Miscellaneous Parts**

Chassis mounted components, mechanical parts and miscellaneous parts not having reference designators are listed near the end of Table 9-3. Exploded view drawings showing chassis and chassis mounted parts are at the end of this manual section.

### **9-3. ORDERING INFORMATION**

To obtain replacement parts, address your order or inquiry to the nearest Hewlett-Packard Sales and Service Office located in the back of the book. Identify parts by their -hp-Part Numbers. Include the instrument model and serial number.

### **9-4. Non-Listed Parts**

To obtain a part this is not listed, include:

- a. Instrument model number.
- b. Instrument serial number.
- c. Description of the part.
- d. Function and location of the part.

**Table 9-1. Standard Abbreviations**

ABBREVIATIONS			
Ag	silver	Hz	hertz (cycle(s) per second)
Al	aluminum	ID	inside diameter
A	ampere(s)	imp	impregnated
Au	gold	incd	incandescent
C	capacitor	ins	insulation(ed)
cer	ceramic	kΩ	kiloohm(s) = 10 <sup>+3</sup> ohms
coef	coefficient	KHz	kiloherz = 10 <sup>+3</sup> hertz
com	common	L	inductor
comp	composition	lin	linear taper
conn	connection	log	logarithmic taper
dep	deposited	mA	milliampere(s) = 10 <sup>-3</sup> amperes
DPDT	double-pole double-throw	MHz	megahertz = 10 <sup>+6</sup> hertz
DPST	double-pole single-throw	MΩ	megohm(s) = 10 <sup>+6</sup> ohms
elect	electrolytic	met fim	metal film
encap	encapsulated	mfr	manufacturer
F	farad(s)	ms	millisecond
FET	field effect transistor	mtg	mounting
fxd	fixed	mV	millivolt(s) = 10 <sup>-3</sup> volts
GaAs	gallium arsenide	μF	microfarad(s)
GHz	gigahertz = 10 <sup>+9</sup> hertz	μs	microsecond(s)
gd	guard(ed)	μV	microvolt(s) = 10 <sup>-6</sup> volts
Ge	germanium	my	Mylar ®
gnd	ground(ed)	nA	nanoampere(s) = 10 <sup>-9</sup> amperes
H	henry(ies)	NC	normally closed
Hg	mercury	Ne	neon
		NO	normally open
		NPO	negative positive zero (zero temperature coefficient)
		ns	nanosecond(s) = 10 <sup>-9</sup> seconds
		nsr	not separately replaceable
		Ω	ohm(s)
		obd	order by description
		OD	outside diameter
		p	peak
		pA	picoampere(s)
		pc	printed circuit
		pF	picofarad(s) 10 <sup>-12</sup> farads
		piv	peak inverse voltage
		p/o	part of
		pos	position(s)
		poly	polystyrene
		pot	potentiometer
		p-p	peak-to-peak
		ppm	parts per million
		prec	precision (temperature coefficient, long term stability and/or tolerance)
		R	resistor
		Rh	rhodium
		rms	root-mean-square
		rot	rotary
		Se	selenium
		sect	section(s)
		Si	silicon
		sl	slide
		SPDT	single-pole double-throw
		SPST	single-pole single-throw
		Ta	tantalum
		TC	temperature coefficient
		TiO <sub>2</sub>	titanium dioxide
		tog	toggle
		tol	tolerance
		trim	trimmer
		TSTR	transistor
		V	volt(s)
		vacw	alternating current working voltage
		var	variable
		vcw	direct current working voltage
		W	watt(s)
		w/	with
		wiv	working inverse voltage
		w/o	without
		ww	wirewound
		*	optimum value selected at factory, average value shown (part may be omitted)
		**	no standard type number assigned selected or special type
		®	Dupont de Nemours
DESIGNATORS			
A	assembly	FL	filter
B	motor	HR	heater
BT	battery	IC	integrated circuit
C	capacitor	J	jack
CR	diode or thyristor	K	relay
DL	delay line	L	inductor
DS	lamp	M	meter
E	misc electronic part	MP	mechanical part
F	fuse	P	plug
		Q	transistor
		OCR	transistor-diode
		R(p)	resistor(pack)
		RT	thermistor
		S	switch
		T	transformer
		TB	terminal board
		TC	thermocouple
		TP	test point
		TS	terminal strip
		U	microcircuit
		V	vacuum tube, neon bulb, photocell, etc.
		W	wire
		X	socket
		XDS	lampholder
		XF	fuseholder
		Y	crystal
		Z	network

**Table 9-2. Code List of Manufacturers**

Manufacturer Number	Manufacturer Name	Address
00046	Unitrode Computer Products Corp	Methuen, MA 01844
00853	Sangamo Elec co S Carolina Div	Pickens, SC 29671
01121	Allen-Bradley Co	Milwaukee, WI 53204
01295	Texas Instr Inc Semicond Cmpnt Div	Dallas, TX 75222
01928	RCA Corp Solid State Div	Somerville, NJ 08876
02111	Spectrol Electronics Corp	City of Ind, CA 91745
02289	HI-G Inc	Windsor Locks, CT 06096
02660	Amphenol Sales Div of Bunker-Ramo	Broadview, IL 60153
03888	DKI Pyrofilm Corp	Whippany, NJ 07981
04713	Motorola Semiconductor Products	Phoenix, AZ 85062
06001	GE Co Elek Cap & Bat Prod Dept	Irmo, SC 29063
06915	Richco Plastic Co	Chicago, IL 60646
07263	Fairchild Semiconductor Div	Mountain View, CA 94042
07716	TRW Inc Burlington Div	Burlington, IA 52601
08113	Kahgan Electronics Corp	Hempstead, NY 11551
11532	Teledyne Relays	Hawthorne, CA 90250
12954	Stemens Corp Components Group	Scottsdale, AZ 95252
12969	Unitrode Corp	Watertown, MA 02172
13606	Sprague Elect Co Semiconductor Div	Concord, NH 03301
14099	Semtech Corp	Newbury Park, CA 91320
16299	Corning Gl Wk Elec Cmpnt Div	Raleigh, NC 27604
17856	Siliconix Inc	Santa Clara, CA 95054
18324	Signetics Corp	Sunnyvale, CA 94086
19701	Mepco/Electra Corp	Mineral Wells, TX 76067
22526	Berg Electronic Inc	Cumberland, PA 17070
23936	Pamotor Div William J Purdy	Burlingame, CA 94010
24226	Gowanda Electronics Corp	Gowanda, NY 14070
24355	Analog Devices Inc	Norwood, MA 02062
24546	Corning Glass Works (Bradford)	Bradford, PA 16701

Table 9-2. Code List of Manufacturers (Cont'd)

Manufacturer Number	Manufacturer Name	Address
26654	Varadyne Inc	Santa Monica, CA 90404
27014	National Semiconductor Corp	Santa Clara, CA 95051
27167	Corning Glass Works (Wilmington)	Wilmington, NC 28401
27264	Molex Products Co.	Downers Grove, IL 60515
28480	Hewlett-Packard Co Corporate HQ	Palo Alto, CA 94304
29832	Teledyne Philbrick Nexus	Dedham, MA 02026
32997	Bourns Inc Trimpot Prod Div	Riverside, CA 92507
34335	Advanced Micro Devices Inc	Sunnyvale, CA 94086
34371	Harris Semicon Div Harris-Intertype	Melbourne, FL 32901
34785	Dek Inc	Chicago, IL 60185
46384	Penn Engineering & Mfg Corp	Doylestown, PA 18901
51642	Centre Engineering Inc	State College, OA 16801
52072	Circuit Assembly Corp	Costa Mesa, CA 92626
52763	Stettner-Trush Inc	Cazenovia, NY 13035
53021	Sangamo Electric Co	Springfield, IL 62702
54294	Cutler-Hammer-Inc Shallcross Mfg Co	Selma, NC 27576
55576	Synertek	Santa Clara, CA 95051
56289	Sprague Electric Co	North Adams, MA 01247
72136	Electro Motive Corp Sub IEC	Willimantic, CT 06226
72982	Erie Technological Products Inc	Erie, PA 16512
73138	Beckman Instruments Inc Helipot Div	Fullerton, CA 92634
73957	Groov-Pin Corp	Ridgefield, NJ 07657
74970	Johnson E F Co	Waseca, MN 56093
75915	Littelfuse Inc	Des Plaines, IL 60016
80103	Lambda Electronics Corp	Melville, NY 11746
84411	TRW Capacitor Div	Ogallala, NE 69153
91637	Dale Electronics Inc	Columbus, NE 68601
98291	Seaelectro Corp	Mamroneck, NY 10544
99848	Wilco Corp	Indianapolis, IN 46222

Table 9-3. Replaceable Parts

Reference Designation	HP Part Number	C D	Qty	Description	Mfr Code	Mfr Part Number
A1	03585-66501	2	1	INPUT ASSEMBLY	28480	03585-66501
A1C1	0160-3622	8	168	CAPACITOR-FXD .1UF +80-20% 100VDC CER	26654	2130YSV100R104Z
A1C2	0160-3622	8		CAPACITOR-FXD .1UF +80-20% 100VDC CER	26654	2130YSV100R104Z
A1C3	0160-3622	8		CAPACITOR-FXD .1UF +80-20% 100VDC CER	26654	2130YSV100R104Z
A1C4	0160-3622	8		CAPACITOR-FXD .1UF +80-20% 100VDC CER	26654	2130YSV100R104Z
A1C5	0160-3622	8		CAPACITOR-FXD .1UF +80-20% 100VDC CER	26654	2130YSV100R104Z
A1C6	0160-2055	9	61	CAPACITOR-FXD .01UF +80-20% 100VDC CER	28480	0160-2055
A1C7*	0160-2261	9	10	CAPACITOR-FXD 15PF +-5% 500VDC CER 0+-30	72982	301-000 COGO 150J
A1C7*	0160-2255	1		CAPACITOR-FXD 8.2PF +- .25PF 500VDC CER	72982	301-000-COHO-829C
A1C7*	0160-2257	3		CAPACITOR-FXD 10PF +-5% 500VDC CER 0+-60	72982	301-000-COHO-100J
A1C7*	0160-2259	5		CAPACITOR-FXD 12PF +-5% 500VDC CER 0+-30	72982	301-000 COGO 120J
A1C7*	0160-2263	1		CAPACITOR-FXD 18PF +-5% 500VDC CER 0+-50	72982	301-000 COGO 180J
A1C7*	0160-2264	2		CAPACITOR-FXD 20PF +-5% 500VDC CER 0+-30	72982	301-000 COGO 200J
A1C8	0160-2055	9		CAPACITOR-FXD .01UF +80-20% 100VDC CER	28480	0160-2055
A1C9	0160-3622	8		CAPACITOR-FXD .1UF +80-20% 100VDC CER	26654	2130YSV100R104Z
A1C10*	0160-2262	0	2	CAPACITOR-FXD 16PF +-5% 500VDC CER 0+-30	28480	0160-2262
A1C10*	0160-2257	3		CAPACITOR-FXD 10PF +-5% 500VDC CER 0+-60	72982	301-000-COHO-100J
A1C10*	0160-2259	5		CAPACITOR-FXD 12PF +-5% 500VDC CER 0+-30	72982	301-000 COGO 120J
A1C10*	0160-2264	2		CAPACITOR-FXD 20PF +-5% 500VDC CER 0+-30	72982	301-000 COGO 200J
A1C10*	0160-2266	4		CAPACITOR-FXD 24PF +-5% 500VDC CER 0+-30	72982	301-000 COGO 240J
A1C11	0160-2055	9		CAPACITOR-FXD .01UF +80-20% 100VDC CER	28480	0160-2055
A1C12	0160-3622	8		CAPACITOR-FXD .1UF +80-20% 100VDC CER	26654	2130YSV100R104Z
A1C13	0160-3622	8		CAPACITOR-FXD .1UF +80-20% 100VDC CER	26654	2130YSV100R104Z
A1C14	0160-2055	9		CAPACITOR-FXD .01UF +80-20% 100VDC CER	28480	0160-2055
A1C15	0160-2055	9		CAPACITOR-FXD .01UF +80-20% 100VDC CER	28480	0160-2055
A1C16	0160-2055	9		CAPACITOR-FXD .01UF +80-20% 100VDC CER	28480	0160-2055
A1C17	0160-3622	8		CAPACITOR-FXD .1UF +80-20% 100VDC CER	72982	8131-100-651-1042
A1C18	0121-0451	3	10	CAPACITOR-V TRMR-AIR 1.7-11PF 250V	74970	187-0106-005
A1C19	0160-2266	4	6	CAPACITOR-FXD 24PF +-5% 500VDC CER 0+-30	28480	0160-2266
A1C20	0160-2255	1	2	CAPACITOR-FXD 8.2PF +- .25PF 500VDC CER	28480	0160-2255
A1C21	0121-0451	3		CAPACITOR-V TRMR-AIR 1.7-11PF 250V	74970	187-0106-005
A1C22	0160-2250	6	3	CAPACITOR-FXD 5.1PF +- .25PF 500VDC CER	28480	0160-2250
A1C23	0160-2055	9		CAPACITOR-FXD .01UF +80-20% 100VDC CER	28480	0160-2055
A1C24	0160-3622	8		CAPACITOR-FXD .1UF +80-20% 100VDC CER	26654	2130YSV100R104Z
A1C25	0160-2254	0	1	CAPACITOR-FXD 7.5PF +- .25PF 500VDC CER	28480	0160-2254
A1C26	0160-2306	3	4	CAPACITOR-FXD 27PF +-5% 300VDC MICA	28480	0160-2306
A1C27	0121-0451	3		CAPACITOR-V TRMR-AIR 1.7-11PF 250V	74970	187-0106-005
A1C28	0160-2250	6		CAPACITOR-FXD 5.1PF +- .25PF 500VDC CER	28480	0160-2250
A1C29	0160-0128	3	13	CAPACITOR-FXD 2.2UF +-20% 50VDC CER	28480	0160-0128
A1C31	0160-2260	8	2	CAPACITOR-FXD 13PF +-5% 500VDC CER 0+-30	28480	0160-2260
A1C32	0160-0128	3		CAPACITOR-FXD 2.2UF +-20% 50VDC CER	28480	0160-0128
A1C33	0150-0050	9	94	CAPACITOR-FXD 1000PF +80-20% 1KVDC CER	28480	0150-0050
A1C34	0160-3622	8		CAPACITOR-FXD .1UF +80-20% 100VDC CER	26654	2130YSV100R104Z
A1C35	0160-0205	7	1	CAPACITOR-FXD 10PF +-5% 500VDC MICA	28480	0160-0205
A1C36	0160-3622	8		CAPACITOR-FXD .1UF +80-20% 100VDC CER	26654	2130YSV100R104Z
A1C37	0160-3622	8		CAPACITOR-FXD .1UF +80-20% 100VDC CER	26654	2130YSV100R104Z
A1C38	0180-0197	8	29	CAPACITOR-FXD 2.2UF +-10% 20VDC TA	56289	150D225X9020A2
A1C39	0160-0128	3		CAPACITOR-FXD 2.2UF +-20% 50VDC CER	28480	0160-0128
A1C40	0150-0050	9		CAPACITOR-FXD 1000PF +80-20% 1KVDC CER	28480	0150-0050
A1C41	0160-2055	9		CAPACITOR-FXD .01UF +80-20% 100VDC CER	28480	0160-2055
A1C42	0160-2055	9		CAPACITOR-FXD .01UF +80-20% 100VDC CER	28480	0160-2055
A1C43	0160-2055	9		CAPACITOR-FXD .01UF +80-20% 100VDC CER	28480	0160-2055
A1C44	0160-2055	9		CAPACITOR-FXD .01UF +80-20% 100VDC CER	28480	0160-2055
A1C45	0160-2055	9		CAPACITOR-FXD .01UF +80-20% 100VDC CER	28480	0160-2055
A1C46	0160-2055	9		CAPACITOR-FXD .01UF +80-20% 100VDC CER	28480	0160-2055
A1C47	0160-2055	9		CAPACITOR-FXD .01UF +80-20% 100VDC CER	28480	0160-2055
A1C48	0160-3622	8		CAPACITOR-FXD .1UF +80-20% 100VDC CER	26654	2130YSV100R104Z
A1C49	0180-0210	6	19	CAPACITOR-FXD 3.3UF +-20% 15VDC TA	56289	150D335X0015A2
A1C50*	0160-2264	2		CAPACITOR-FXD 20PF +-5% 500VDC CER 0+-30	72982	301-000 COGO 240J
A1C50*	0160-2257	3		CAPACITOR-FXD 10PF +-5% 500VDC CER 0+-60	72982	301-000-COHO-100J
A1C50*	0160-2259	5		CAPACITOR-FXD 12PF +-5% 500VDC CER 0+-30	72982	301-000 COGO 120J
A1C50*	0160-2262	0		CAPACITOR-FXD 16PF +-5% 500VDC CER 0+-30	72982	301-000 COGO 160J
A1C50*	0160-2266	4		CAPACITOR-FXD 24PF +-5% 500VDC CER 0+-30	72982	301-000 COGO 240J
A1C51	0180-0210	6		CAPACITOR-FXD 3.3UF +-20% 15VDC TA	56289	150D335X0015A2
A1C52	0180-1701	2	2	CAPACITOR-FXD 6.8UF +-20% 6VDC TA	56289	150D685X0006A2
A1C53	0160-3622	8		CAPACITOR-FXD .1UF +80-20% 100VDC CER	26654	2130YSV100R104Z
A1C54	0180-0210	6		CAPACITOR-FXD 3.3UF +-20% 15VDC TA	56289	150D335X0015A2
A1C55	0160-3622	8		CAPACITOR-FXD .1UF +80-20% 100VDC CER	26654	2130YSV100R104Z
A1C56	0180-0210	6		CAPACITOR-FXD 3.3UF +-20% 15VDC TA	56289	150D335X0015A2
A1C57	0160-3622	8		CAPACITOR-FXD .1UF +80-20% 100VDC CER	26654	2130YSV100R104Z
A1C58	0160-3622	8		CAPACITOR-FXD .1UF +80-20% 100VDC CER	26654	2130YSV100R104Z
A1C59	0160-0128	3		CAPACITOR-FXD 2.2UF +-20% 50VDC CER	28480	0160-0128
A1C61	0160-2150	5	4	CAPACITOR-FXD 33PF +-5% 300VDC MICA	28480	0160-2150
A1C62	0160-3622	8		CAPACITOR-FXD .1UF +80-20% 100VDC CER	26654	2130YSV100R104Z
A1C63	0160-3622	8		CAPACITOR-FXD .1UF +80-20% 100VDC CER	26654	2130YSV100R104Z
A1C64	0160-3622	8		CAPACITOR-FXD .1UF +80-20% 100VDC CER	26654	2130YSV100R104Z
A1C65	0160-3622	8		CAPACITOR-FXD .1UF +80-20% 100VDC CER	26654	2130YSV100R104Z
A1C66	0160-3622	8		CAPACITOR-FXD .1UF +80-20% 100VDC CER	26654	2130YSV100R104Z
A1C67	0180-0375	4	2	CAPACITOR-FXD 68UF +-10% 20VDC TA	56289	150D686X9020B2

See introduction to this section for ordering information  
 \*Indicates factory selected value

**Table 9-3. Replaceable Parts (Cont'd)**

Reference Designation	HP Part Number	C D	Qty	Description	Mfr Code	Mfr Part Number
A1C68	0180-0210	6		CAPACITOR-FXD 3.3UF+-20% 15VDC TA	56289	150D335X0015A2
A1C69	0180-0210	6		CAPACITOR-FXD 3.3UF+-20% 15VDC TA	56289	150D335X0015A2
A1C70	0180-0375	4		CAPACITOR-FXD 68UF+-10% 20VDC TA	56289	150D68X9020B2
A1C72	0160-2055	9		CAPACITOR-FXD .01UF +80-20% 100VDC CER	28480	0160-2055
A1C73	0180-1714	7	2	CAPACITOR-FXD 330UF+-10% 6VDC TA	56289	150D337X9006S2
A1C74	0180-1714	7		CAPACITOR-FXD 330UF+-10% 6VDC TA	56289	150D337X9006S2
A1C75	0180-0228	6	10	CAPACITOR-FXD 22UF+-10% 15VDC TA	56289	150D226X9015B2
A1C76	0180-0228	6		CAPACITOR-FXD 22UF+-10% 15VDC TA	56289	150D226X9015B2
A1C77	0180-0210	6		CAPACITOR-FXD 3.3UF+-20% 15VDC TA	56289	150D335X0015A2
A1C78	0160-3622	8		CAPACITOR-FXD .1UF +80-20% 100VDC CER	26654	2130Y5V100R104Z
A1C79	0160-2055	9		CAPACITOR-FXD .01UF +80-20% 100VDC CER	28480	0160-2055
A1C80	0160-3558	9	15	CAPACITOR-FXD .1UF +-20% 50VDC CER	28480	0160-3558
A1C81	0160-2055	9		CAPACITOR-FXD .01UF +80-20% 100VDC CER	28480	0160-2055
A1C82*	0160-2262	8	4	CAPACITOR-FXD 16PF +-5% 500VDC CER 0+-30	72982	301-000 COGO 160J
A1C82#	0160-2257	3		CAPACITOR-FXD 10PF +-5% 500VDC CER 0+-60	72982	301-000 COHO-100J
A1C82#	0160-2259	5		CAPACITOR-FXD 12PF +-5% 500VDC CER 0+-30	72982	301-000 COGO 120J
A1C82#	0160-2264	2		CAPACITOR-FXD 20PF +-5% 500VDC CER 0+-30	72982	301-000 COGO 200J
A1C82#	0160-2266	4		CAPACITOR-FXD 24PF +-5% 500VDC CER 0+-30	72982	301-000 COGO 240J
A1C83	0121-0451	3		CAPACITOR-V TRMR-AIR 1.7-11PF 250V	74970	187-0106-005
A1C84	0160-2262	0		CAPACITOR-FXD 16PF +-5% 500VDC CER 0+-30	28480	0160-2262
A1C85	0160-2200	6	8	CAPACITOR-FXD 43PF +-5% 300VDC MICA	28480	0160-2200
A1C86	0121-0451	3		CAPACITOR-V TRMR-AIR 1.7-11PF 250V	74970	187-0106-005
A1C87	0160-2241	5	3	CAPACITOR-FXD 2.2PF +--.25PF 500VDC CER	28480	0160-2241
A1C88	0140-0204	4	10	CAPACITOR-FXD 47PF +-5% 500VDC MICA	72136	DM15E470J0500MV1CR
A1C89	0121-0451	3		CAPACITOR-V TRMR-AIR 1.7-11PF 250V	74970	187-0106-005
A1C90	0160-3622	8		CAPACITOR-FXD .1UF +80-20% 100VDC CER	26654	2130Y5V100R104Z
A1C91	0160-2306	3		CAPACITOR-FXD 27PF +-5% 300VDC MICA	28480	0160-2306
A1C92	0121-0451	3		CAPACITOR-V TRMR-AIR 1.7-11PF 250V	74970	187-0106-005
A1C93	0180-0229	7	8	CAPACITOR-FXD 33UF+-10% 10VDC TA	56289	150D336X9010B2
A1C94	0180-0210	6		CAPACITOR-FXD 3.3UF+-20% 15VDC TA	56289	150D335X0015A2
A1C95	0160-3622	8		CAPACITOR-FXD .1UF +80-20% 100VDC CER	26654	2130Y5V100R104Z
A1C96	0180-0210	6		CAPACITOR-FXD 3.3UF+-20% 15VDC TA	56289	150D335X0015A2
A1C97	0180-0106	9	1	CAPACITOR-FXD 60UF+-20% 6VDC TA	56289	150D60X0006B2
A1C98	0160-3622	8		CAPACITOR-FXD .1UF +80-20% 100VDC CER	26654	2130Y5V100R104Z
A1C99	0160-3829	7	1	CAPACITOR-FXD .47UF +-10% 50VDC	28480	0160-3829
A1C100	0160-2055	9		CAPACITOR-FXD .01UF +80-20% 100VDC CER	28480	0160-2055
A1C101	0160-2150	5		CAPACITOR-FXD 33PF +-5% 300VDC MICA	28480	0160-2150
A1C102	0160-3622	8		CAPACITOR-FXD .1UF +80-20% 100VDC CER	26654	2130Y5V100R104Z
A1C103	0180-0210	6		CAPACITOR-FXD 3.3UF+-20% 15VDC TA	56289	150D335X0015A2
A1C104	0160-3622	8		CAPACITOR-FXD .1UF +80-20% 100VDC CER	26654	2130Y5V100R104Z
A1C105	0180-0210	6		CAPACITOR-FXD 3.3UF+-20% 15VDC TA	56289	150D335X0015A2
A1C106	0160-3622	8		CAPACITOR-FXD .1UF +80-20% 100VDC CER	26654	2130Y5V100R104Z
A1C107	0160-3622	8		CAPACITOR-FXD .1UF +80-20% 100VDC CER	26654	2130Y5V100R104Z
A1C108	0160-0128	3		CAPACITOR-FXD 2.2UF +-20% 50VDC CER	28480	0160-0128
A1C109	0160-2605	5	1	CAPACITOR-FXD .02UF +80-20% 25VDC CER	28480	0160-2605
A1C110	0160-2241	5		CAPACITOR-FXD 2.2PF +--.25PF 500VDC CER	28480	0160-2241
A1C111	0160-0128	3		CAPACITOR-FXD 2.2UF +-20% 50VDC CER	28480	0160-0128
A1C112	0180-1701	2		CAPACITOR-FXD 6.8UF+-20% 6VDC TA	56289	150D68X0006A2
A1C113	0160-0174	9	5	CAPACITOR-FXD .47UF +80-20% 25VDC CER	28480	0160-0174
A1C114	0160-2055	9		CAPACITOR-FXD .01UF +80-20% 100VDC CER	28480	0160-2055
A1C115	0160-2055	9		CAPACITOR-FXD .01UF +80-20% 100VDC CER	28480	0160-2055
A1C116	0160-2055	9		CAPACITOR-FXD .01UF +80-20% 100VDC CER	28480	0160-2055
A1C117	0160-2055	9		CAPACITOR-FXD .01UF +80-20% 100VDC CER	28480	0160-2055
A1C118	0160-2055	9		CAPACITOR-FXD .01UF +80-20% 100VDC CER	28480	0160-2055
A1C119	0160-2055	9		CAPACITOR-FXD .01UF +80-20% 100VDC CER	28480	0160-2055
A1C120	0160-3874	2	2	CAPACITOR-FXD 10PF +--.5PF 200VDC CER	28480	0160-3874
A1C121	0180-0098	8	3	CAPACITOR-FXD 100UF+-20% 20VDC TA	56289	150D107X0020S2
A1C122	0180-0197	8		CAPACITOR-FXD 2.2UF+-10% 20VDC TA	56289	150D225X9020A2
A1C123	0180-0197	8		CAPACITOR-FXD 2.2UF+-10% 20VDC TA	56289	150D225X9020A2
A1C124	0160-2055	9		CAPACITOR-FXD .01UF +80-20% 100VDC CER	28480	0160-2055
A1C125	0180-0098	8		CAPACITOR-FXD 100UF+-20% 20VDC TA	56289	150D107X0020S2
A1C130	0160-3874	2		CAPACITOR-FXD 10PF .5 PF 200VDC CER	72982	8121-B228-COG0-100D
A1CR1	1901-0040	1	58	DIODE-SWITCHING 30V 50MA 2NS DO-35	28480	1901-0040
A1CR2	1901-0040	1		DIODE-SWITCHING 30V 50MA 2NS DO-35	28480	1901-0040
A1CR3	1901-0025	2	2	DIODE-GEN PRP 100V 200MA DO-7	28480	1901-0025
A1CR4	1901-0025	2		DIODE-GEN PRP 100V 200MA DO-7	28480	1901-0025
A1CR5	1902-0777	3	6	DIODE-ZNR 1N825 6.2V 5% DO-7 PD= .4W	04713	1N825
A1CR6	1902-3182	0	2	DIODE-ZNR 12.1V 5% DO-7 PD=.4W TC=+.064%	28480	1902-3182
A1CR7	1902-3182	0		DIODE-ZNR 12.1V 5% DO-7 PD=.4W TC=+.064%	28480	1902-3182
A1CR8	1901-0050	3	20	DIODE-SWITCHING 80V 200MA 2NS DO-35	28480	1901-0050
A1CR9	1901-0050	3		DIODE-SWITCHING 80V 200MA 2NS DO-35	28480	1901-0050
A1CR10	1902-0064	1	5	DIODE-ZNR 7.5V 5% DO-7 PD=.4W TC=+.05%	28480	1902-0064
A1CR13	1901-0050	3		DIODE-SWITCHING 80V 200MA 2NS DO-35	28480	1901-0050
A1CR15	1901-0050	3		DIODE-SWITCHING 80V 200MA 2NS DO-35	28480	1901-0050
A1CR16	1902-3085	2	1	DIODE-ZNR 4.75V 5% DO-7 PD=.4W TC=+.019%	28480	1902-3085
A1CR17	1901-0050	3		DIODE-SWITCHING 80V 200MA 2NS DO-35	28480	1901-0050
A1CR18	1901-0518	8	8	DIODE-SCHOTTKY	28480	1901-0518

See introduction to this section for ordering information  
 \*Indicates factory selected value

**Table 9-3. Replaceable Parts (Cont'd)**

Reference Designation	HP Part Number	C D	Qty	Description	Mfr Code	Mfr Part Number
A1CR19	1901-0518	8		DIODE-SCHOTTKY	28480	1901-0518
A1CR20	1901-0518	8		DIODE-SCHOTTKY	28480	1901-0518
A1CR21	1901-0040	1		DIODE-SWITCHING 30V 50MA 2NS DO-35	28480	1901-0040
A1CR22	1901-0040	1		DIODE-SWITCHING 30V 50MA 2NS DO-35	28480	1901-0040
A1CR23	1901-0040	1		DIODE-SWITCHING 30V 50MA 2NS DO-35	28480	1901-0040
A1CR24	1902-0064	1		DIODE-ZNR 7.5V 5X DO-7 PD=.4W TC=+.05X	28480	1902-0064
A1CR25	1902-0064	1		DIODE-ZNR 7.5V 5X DO-7 PD=.4W TC=+.05X	28480	1902-0064
A1CR26	1902-0064	1		DIODE-ZNR 7.5V 5X DO-7 PD=.4W TC=+.05X	28480	1902-0064
A1CR27	1901-0040	1		DIODE-SWITCHING 30V 50MA 2NS DO-35	28480	1901-0040
A1CR28	1901-0040	1		DIODE-SWITCHING 30V 50MA 2NS DO-35	28480	1901-0040
A1CR29	1902-0057	2		DIODE-ZNR 6.49V 5X DO-7 PD=.4W TC=+.029X	28480	1902-0057
A1CR30	1990-0486	6	9	LED-VISIBLE LUM-INT=1MCD IF=20MA-MAX	28480	5082-4684
A1CR31	1902-3190	0	2	DIODE-ZNR 13V 5X DO-7 PD=.4W TC=+.06X	28480	1902-3190
A1CR32	1902-3190	0		DIODE-ZNR 13V 5X DO-7 PD=.4W TC=+.06X	28480	1902-3190
A1CR33	1901-0662	3	4	DIODE-PWR RECT 100V 6A	04713	MR751
A1CR34	1901-0662	3		DIODE-PWR RECT 100V 6A	04713	MR751
A1CR35	1901-0050	3		DIODE-SWITCHING 80V 200MA 2NS DO-35	00046	ORDER BY DESCRIPTION
A1CR36	1901-0050	3		DIODE-SWITCHING 80V 200MA 2NS DO-35	00046	ORDER BY DESCRIPTION
A1J1	1250-1596	3	1	CONNECTOR-BNC SPES	28480	1250-1596
A1J3	1250-1368	7	10	CONNECTOR-RF 3MB M PC 50-OHM	28480	1250-1368
A1J4	1251-1636	4	8	CONNECTOR-S6L CONT SKT .04-IN-88C-8Z RND	28480	1251-1636
A1J5	1251-1636	4		CONNECTOR-S6L CONT SKT .04-IN-88C-8Z RND	28480	1251-1636
A1J6	1200-0474	9		SOCKET-IC 14-CONT DIP-8LDR	28480	1200-0474
A1J7	1251-1636	4		CONNECTOR-S6L CONT SKT .04-IN-88C-8Z RND	28480	1251-1636
A1K1**	0490-1034	1	13	RELAY 2C 12VDC-COIL .5A 350VDC	02289	CAW-12
A1K2**	0490-1034	1		RELAY 2C 12VDC-COIL .5A 350VDC	02289	CAW-12
A1K3**	0490-1034	1		RELAY 2C 12VDC-COIL .5A 350VDC	02289	CAW-12
A1K4**	0490-1034	1		RELAY 2C 12VDC-COIL .5A 350VDC	02289	CAW-12
A1K5**	0490-1034	1		RELAY 2C 12VDC-COIL .5A 350VDC	02289	CAW-12
A1K6**	0490-1034	1		RELAY 2C 12VDC-COIL .5A 350VDC	02289	CAW-12
A1K7**	0490-1034	1		RELAY 2C 12VDC-COIL .5A 350VDC	02289	CAW-12
A1K8**	0490-1034	1		RELAY 2C 12VDC-COIL .5A 350VDC	02289	CAW-12
A1K9**	0490-1034	1		RELAY 2C 12VDC-COIL .5A 350VDC	02289	CAW-12
A1K11**	0490-1034	1		RELAY 2C 12VDC-COIL .5A 350VDC	02289	CAW-12
A1K12**	0490-1034	1		RELAY 2C 12VDC-COIL .5A 350VDC	02289	CAW-12
A1K13**	0490-1034	1		RELAY 2C 12VDC-COIL .5A 350VDC	02289	CAW-12
A1K14**	0490-1034	1		RELAY 2C 12VDC-COIL .5A 350VDC	02289	CAW-12
A1K1-A1K9, A1K11-A1K14	0490-0670	9		RELAY 2C 5VDC-COIL 1A 28VDC	02289	CSW-5
	0490-1300	4		RELAY 2C 9VDC-COIL .5A 28VDC	11532	712-9
	0490-0508	2		RELAY 2C 12VDC-COIL .5A 28VDC	02289	CAW-198
A1L1	9140-0308	8	1	COIL-MLD 120NH 5X Q=50 .155DX,375LG-NOM	28480	9140-0308
A1L2	9100-3560	6	17	COIL-MLD 5.6UH 5X Q=45 .155DX,375LG-NOM	28480	9100-3560
A1L3	9140-0144	0	51	COIL-MLD 4.7UH 10X Q=45 .095DX,25LG-NOM	28480	9140-0144
A1L4	9140-0144	0		COIL-MLD 4.7UH 10X Q=45 .095DX,25LG-NOM	28480	9140-0144
A1L5	9140-0144	0		COIL-MLD 4.7UH 10X Q=45 .095DX,25LG-NOM	28480	9140-0144
A1L6	9140-0144	0		COIL-MLD 4.7UH 10X Q=45 .095DX,25LG-NOM	28480	9140-0144
A1L7	9140-0144	0		COIL-MLD 4.7UH 10X Q=45 .095DX,25LG-NOM	28480	9140-0144
A1L8	9140-0144	0		COIL-MLD 4.7UH 10X Q=45 .095DX,25LG-NOM	28480	9140-0144
A1L9	9140-0144	0		COIL-MLD 4.7UH 10X Q=45 .095DX,25LG-NOM	28480	9140-0144
A1L11	9140-0144	0		COIL-MLD 4.7UH 10X Q=45 .095DX,25LG-NOM	28480	9140-0144
A1L12	9140-0144	0		COIL-MLD 4.7UH 10X Q=45 .095DX,25LG-NOM	28480	9140-0144
A1L13	9140-0144	0		COIL-MLD 4.7UH 10X Q=45 .095DX,25LG-NOM	28480	9140-0144
A1L14	9140-0144	0		COIL-MLD 4.7UH 10X Q=45 .095DX,25LG-NOM	28480	9140-0144
A1L15	9140-0144	0		COIL-MLD 4.7UH 10X Q=45 .095DX,25LG-NOM	28480	9140-0144
A1L16	9140-0144	0		COIL-MLD 4.7UH 10X Q=45 .095DX,25LG-NOM	28480	9140-0144
A1L18	9100-0685	0	1	COIL .156DX,625LG-NOM	28480	9100-0685
A1L19	9100-4041	0	3	COIL 11.5T	28480	9100-4041
A1L20	9100-2247	4	13	COIL-MLD 100NH 10X Q=34 .095DX,25LG-NOM	28480	9100-2247
A1L21	9100-4041	0		COIL 11.5T	28480	9100-4041
A1L22	9140-0144	0		COIL-MLD 4.7UH 10X Q=45 .095DX,25LG-NOM	28480	9140-0144
A1L23	9140-0144	0		COIL-MLD 4.7UH 10X Q=45 .095DX,25LG-NOM	28480	9140-0144
A1L24	9140-0144	0		COIL-MLD 4.7UH 10X Q=45 .095DX,25LG-NOM	28480	9140-0144
A1L25	9140-0144	0		COIL-MLD 4.7UH 10X Q=45 .095DX,25LG-NOM	28480	9140-0144
A1L26	9140-0144	0		COIL-MLD 4.7UH 10X Q=45 .095DX,25LG-NOM	28480	9140-0144
A1L27	9140-0144	0		COIL-MLD 4.7UH 10X Q=45 .095DX,25LG-NOM	28480	9140-0144
A1L28	9100-3560	6		COIL-MLD 5.6UH 5X Q=45 .155DX,375LG-NOM	28480	9100-3560
A1L29	9100-3560	6		COIL-MLD 5.6UH 5X Q=45 .155DX,375LG-NOM	28480	9100-3560
A1L30	9140-0158	6	7	COIL-MLD 1UH 10X Q=32 .095DX,25LG-NOM	28480	9140-0158
A1L31	9100-3560	6		COIL-MLD 5.6UH 5X Q=45 .155DX,375LG-NOM	28480	9100-3560
A1L32	9100-3560	6		COIL-MLD 5.6UH 5X Q=45 .155DX,375LG-NOM	28480	9100-3560
A1L33	9100-3560	6		COIL-MLD 5.6UH 5X Q=45 .155DX,375LG-NOM	28480	9100-3560
A1L34	9100-3560	6		COIL-MLD 5.6UH 5X Q=45 .155DX,375LG-NOM	28480	9100-3560
A1L35	9100-3560	6		COIL-MLD 5.6UH 5X Q=45 .155DX,375LG-NOM	28480	9100-3560
A1L36	9100-3560	6		COIL-MLD 5.6UH 5X Q=45 .155DX,375LG-NOM	28480	9100-3560
A1L37	9100-3560	6		COIL-MLD 5.6UH 5X Q=45 .155DX,375LG-NOM	28480	9100-3560
A1L38	9100-3560	6		COIL-MLD 5.6UH 5X Q=45 .155DX,375LG-NOM	28480	9100-3560
A1L39	9140-0144	0		COIL-MLD 4.7UH 10X Q=45 .095DX,25LG-NOM	28480	9140-0144
A1L40	9100-2251	0		INDUCTOR RF-CH-MLD 220NH 10% .105DX,26LG	24226	10/220
A1Q1	1853-0066	8	6	TRANSISTOR PNP 8I 10-92 PD=625MW	28480	1853-0066
A1Q2	1854-0071	7	24	TRANSISTOR NPN 8I PD=300MW FT=200MHZ	28480	1854-0071

See introduction to this section for ordering information  
\*Indicates factory selected value

### Table 9-3. Replaceable Parts (Cont'd)

Reference Designation	HP Part Number	C D	Qty	Description	Mfr Code	Mfr Part Number
A1Q3	1854-0071	7		TRANSISTOR NPN SI PD=300MW FT=200MHZ	28480	1854-0071
A1Q4	1853-0066	8		TRANSISTOR PNP SI TO-92 PD=625MW	28480	1853-0066
A1Q5	1853-0066	8		TRANSISTOR PNP SI TO-92 PD=625MW	28480	1853-0066
A1Q6	1855-0268	6	1	TRANSISTOR J-FET N-CHAN D-MODE TO-92 SI	17856	J309
A1Q7	1854-0296	8	5	TRANSISTOR NPN SI TO-92 PD=310MW	28480	1854-0296
A1Q8	1854-0401	7	1	TRANSISTOR NPN SI TO-72 PD=175MW	28480	1854-0401
A1Q9	1853-0354	7	6	TRANSISTOR PNP SI TO-92 PD=350MW	28480	1853-0354
A1Q10	1854-0351	6	12	TRANSISTOR NPN SI TO-18 PD=360MW	28480	1854-0351
A1Q11	1853-0354	7		TRANSISTOR PNP SI TO-92 PD=350MW	28480	1853-0354
A1Q12	1854-0305	0	7	TRANSISTOR NPN SI TO-18 PD=400MW	28480	1854-0305
A1Q13	1854-0404	7	4	TRANSISTOR NPN 2N930 SI TO-39 PD=1W	01928	2N930
A1Q14	1854-0305	0		TRANSISTOR NPN SI TO-18 PD=400MW	28480	1854-0305
A1Q15	1854-0247	9	2	TRANSISTOR NPN SI TO-39 PD=1W FT=800MHZ	28480	1854-0247
A1Q16	1854-0485	7	11	TRANSISTOR NPN SI TO-104 PD=175MW	28480	1854-0485
A1Q17	1854-0296	8		TRANSISTOR NPN SI TO-92 PD=310MW	28480	1854-0296
A1Q18	1854-0305	0		TRANSISTOR NPN SI TO-18 PD=400MW	28480	1854-0305
A1Q19	1853-0354	7		TRANSISTOR PNP SI TO-92 PD=350MW	28480	1853-0354
A1Q20	1853-0066	8		TRANSISTOR PNP SI TO-92 PD=625MW	28480	1853-0066
A1Q21	1854-0071	7		TRANSISTOR NPN SI PD=300MW FT=200MHZ	28480	1854-0071
A1Q22	1853-0066	8		TRANSISTOR PNP SI TO-92 PD=625MW	28480	1853-0066
A1Q23	1853-0066	8		TRANSISTOR PNP SI TO-92 PD=625MW	28480	1853-0066
A1Q24	1853-0051	1	1	TRANSISTOR PNP 2N4037 SI TO-5 PD=1W	01928	2N4037
A1Q25	1854-0039	7		TRANSISTOR NPN 2N30538 SI TO-39 PD=1W	01928	2N30538
A1R1	0760-0026	2	1	RESISTOR 75 2% 1W HO TC=0+200	28480	0760-0026
A1R2	0757-0801	4	18	RESISTOR 150 1% .5W F TC=0+100	28480	0757-0801
A1R3*	0683-6805	3	18	RESISTOR 68 5% .25W FC TC=-400/+500	01121	C86805
A1R3**	1902-3054	5		DIODE-ZNR 3.65V 5% DO-35 PD=.4W	04713	SZ30016-56
A1R3**	1902-0800	3		DIODE-ZNR 8.25V 5% DO-15 PD=W TC=+.053%	04713	SZ11213-116
A1R4	0683-1025	9	169	RESISTOR 1K 5% .25W FC TC=-400/+600	01121	C81025
A1R5	0683-1025	9		RESISTOR 1K 5% .25W FC TC=-400/+600	01121	C81025
A1R6**	0683-6805	3		RESISTOR 68 5% .25W FC TC=-400/+500	01121	C86805
A1R7	0683-4735	4	14	RESISTOR 47K 5% .25W FC TC=-400/+800	01121	C84735
A1R8	0683-4735	4		RESISTOR 47K 5% .25W FC TC=-400/+800	01121	C84735
A1R9**	0683-6805	3		RESISTOR 68 5% .25W FC TC=-400/+500	01121	C86805
A1R10	0683-2225	3		RESISTOR 2.2K 5% .25W FC TC=-400/+700	19701	(CR-25) 1-4-5P-2K2
A1R11	0698-4840	3	1	RESISTOR 115 1% .5W F TC=0+100	28480	0698-4840
A1R12	0757-0003	8	1	RESISTOR 26.1 1% .5W F TC=0+100	28480	0757-0003
A1R13	0698-5019	0	1	RESISTOR 32.4 1% .5W F TC=0+100	28480	0698-5019
A1R14*	0683-6805	3		RESISTOR 68 5% .25W FC TC=-400/+500	01121	C86805
A1R15	0757-0167	5	1	RESISTOR 143 1% .25W F TC=0+100	24546	C5-1/4-T0-143R=F
A1R16	0698-8154	0	1	RESISTOR 75 .1% 1W F TC=0+25	07716	BR5-1-T9-75R0-B
A1R17	0757-0410	1	2	RESISTOR 301 1% .125W F TC=0+100	24546	C4-1/8-T0-301R=F
A1R18	0683-7505	2	6	RESISTOR 75 5% .25W FC TC=-400/+500	01121	C87505
A1R19**	0683-6805	3		RESISTOR 68 5% .25W FC TC=-400/+500	01121	C86805
A1R20	0683-2225	3		RESISTOR 2.2K 5% .25W FC TC=-400/+700	01121	C82225
A1R21	0683-7505	2		RESISTOR 75 5% .25W FC TC=-400/+500	01121	C87505
A1R22	0757-0410	1		RESISTOR 301 1% .125W F TC=0+100	24546	C4-1/8-T0-301R=F
A1R23	0683-7505	2		RESISTOR 75 5% .25W FC TC=-400/+500	01121	C87505
A1R24*	0683-6805	3		RESISTOR 68 5% .25W FC TC=-400/+500	01121	C86805
A1R25**	0683-6805	3		RESISTOR 68 5% .25W FC TC=-400/+500	01121	C86805
A1R26	0698-6979	3	2	RESISTOR 111.1K 1% .125W F TC=0+25	28480	0698-6979
A1R27	0698-6305	9	2	RESISTOR 900K 1% .25W F TC=0+25	28480	0698-6305
A1R28**	0683-6805	3		RESISTOR 68 5% .25W FC TC=-400/+500	01121	C86805
A1R29	0698-6979	3		RESISTOR 111.1K 1% .125W F TC=0+25	28480	0698-6979
A1R31	0698-6305	9		RESISTOR 900K 1% .25W F TC=0+25	28480	0698-6305
A1R32	0683-2205	9	30	RESISTOR 22 5% .25W FC TC=-400/+500	01121	C82205
A1R33	0698-3225	6	1	RESISTOR 1.43K 1% .125W F TC=0+100	24546	C4-1/8-T0-1431=F
A1R34	0683-1045	3	26	RESISTOR 100K 5% .25W FC TC=-400/+800	01121	C81045
A1R35	0683-1025	9		RESISTOR 1K 5% .25W FC TC=-400/+600	01121	C81025
A1R36	0698-4467	0	1	RESISTOR 1.05K 1% .125W F TC=0+100	24546	C4-1/8-T0-1051=F
A1R37	0698-4375	9	1	RESISTOR 30.9 1% .125W F TC=0+100	03888	PME55-1/8-T0-30R9=F
A1R38	0698-3262	1	1	RESISTOR 40.2 1% .125W F TC=0+100	24546	C4-1/8-T0-4022=F
A1R39	2100-3296	8	2	RESISTOR-TRMR 1K 10% C TOP=ADJ 17-TRN	28480	2100-3296
A1R40	0698-3493	0	3	RESISTOR 4.12K 1% .125W F TC=0+100	91637	CMF-55-1-T-1
A1R41	0683-1035	1	87	RESISTOR 10K 5% .25W FC TC=-400/+700	01121	C81035
A1R42	0683-6825	7	24	RESISTOR 6.8K 5% .25W FC TC=-400/+700	01121	C86825
A1R43	0698-4425	0	2	RESISTOR 1.54K 1% .125W F TC=0+100	24546	C4-1/8-T0-1541=F
A1R44	0698-4421	6	3	RESISTOR 249 1% .125W F TC=0+100	24546	C4-1/8-T0-249R=F
A1R45	0683-2245	7	6	RESISTOR 220K 5% .25W FC TC=-800/+900	01121	C82245
A1R46	0683-2245	7		RESISTOR 220K 5% .25W FC TC=-800/+900	01121	C82245
A1R47	0683-1015	7	64	RESISTOR 100 5% .25W FC TC=-400/+500	01121	C81015
A1R48	0683-1015	7		RESISTOR 100 5% .25W FC TC=-400/+500	01121	C81015
A1R49	0683-1015	7		RESISTOR 100 5% .25W FC TC=-400/+500	01121	C81015
A1R50	0698-4398	6	1	RESISTOR 86.6 1% .125W F TC=0+100	24546	C4-1/8-T0-86R6=F
A1R51	0683-1015	7		RESISTOR 100 5% .25W FC TC=-400/+500	01121	C81015
A1R52	2100-3345	8	1	RESISTOR-TRMR 10 10% C TOP=ADJ 1-TRN	28480	2100-3345
A1R53	0683-1025	9		RESISTOR 1K 5% .25W FC TC=-400/+600	01121	C81025
A1R54	0683-1025	9		RESISTOR 1K 5% .25W FC TC=-400/+600	01121	C81025
A1R55	0683-1025	9		RESISTOR 1K 5% .25W FC TC=-400/+600	01121	C81025
A1R56	0683-1025	9		RESISTOR 1K 5% .25W FC TC=-400/+600	01121	C81025

See introduction to this section for ordering information  
 \*Indicates factory selected value

### Table 9-3. Replaceable Parts (Cont'd)

Reference Designation	HP Part Number	C D	Qty	Description	Mfr Code	Mfr Part Number
A1R57	0698-4456	7	1	RESISTOR 549 1% .125W F TC=0+-100	24546	C4-1/8-T0-549R-F
A1R58	0683-6825	7		RESISTOR 6.8K 5% .25W FC TC=400/+700	01121	CB6825
A1R59	0683-1025	9		RESISTOR 1K 5% .25W FC TC=400/+600	01121	CB1025
A1R60	0698-4407	8	4	RESISTOR 118 1% .125W F TC=0+-100	24546	C4-1/8-T0-118R-F
A1R61	0683-6825	7		RESISTOR 6.8K 5% .25W FC TC=400/+700	01121	CB6825
A1R62	0683-1015	7		RESISTOR 100 5% .25W FC TC=400/+500	01121	CB1015
A1R63	0683-4705	8	147	RESISTOR 47 5% .25W FC TC=400/+500	01121	CB4705
A1R64	0683-1035	1		RESISTOR 10K 5% .25W FC TC=400/+700	01121	CB1035
A1R65	0683-4705	8		RESISTOR 47 5% .25W FC TC=400/+500	01121	CB4705
A1R66	0683-1015	7		RESISTOR 100 5% .25W FC TC=400/+500	01121	CB1015
A1R67	0683-1035	1		RESISTOR 10K 5% .25W FC TC=400/+700	01121	CB1035
A1R68	0683-1035	1		RESISTOR 10K 5% .25W FC TC=400/+700	01121	CB1035
A1R69	0683-4735	4		RESISTOR 47K 5% .25W FC TC=400/+800	01121	CB4735
A1R71	0683-4735	4		RESISTOR 47K 5% .25W FC TC=400/+800	01121	CB4735
A1R72	0683-5105	4	34	RESISTOR 51 5% .25W FC TC=400/+500	01121	CB5105
A1R73	0683-4735	4		RESISTOR 47K 5% .25W FC TC=400/+800	01121	CB4735
A1R74	0683-1045	3		RESISTOR 100K 5% .25W FC TC=400/+800	01121	CB1045
A1R75	0683-4735	4		RESISTOR 47K 5% .25W FC TC=400/+800	01121	CB4735
A1R76	0683-1035	1		RESISTOR 10K 5% .25W FC TC=400/+700	01121	CB1035
A1R78	0698-6369	5	1	RESISTOR 1M .1% .25W F TC=0+-25	28480	0698-6369
A1R81	0683-5115	6	8	RESISTOR 510 5% .25W FC TC=400/+600	01121	CB5115
A1R82	0683-4705	8		RESISTOR 47 5% .25W FC TC=400/+500	01121	CB4705
A1R83	0683-4725	2	40	RESISTOR 4.7K 5% .25W FC TC=400/+700	01121	CB4725
A1R84	0683-4725	2		RESISTOR 4.7K 5% .25W FC TC=400/+700	01121	CB4725
A1R85	0683-1035	1		RESISTOR 10K 5% .25W FC TC=400/+700	01121	CB1035
A1R86	0698-4442	1	3	RESISTOR 4.42K 1% .125W F TC=0+-100	24546	C4-1/8-T0-4421-F
A1R87	0698-4407	8		RESISTOR 118 1% .125W F TC=0+-100	24546	C4-1/8-T0-118R-F
A1R88	0698-4407	8		RESISTOR 118 1% .125W F TC=0+-100	24546	C4-1/8-T0-118R-F
A1R89	0683-9135	8	2	RESISTOR 91K 5% .25W FC TC=400/+800	01121	CB9135
A1R91	0683-9135	8		RESISTOR 91K 5% .25W FC TC=400/+800	01121	CB9135
A1R92	0757-0393	9	1	RESISTOR 47.5 1% .125W F TC=0+-100	24546	C4-1/8-T0-47R5-F
A1R93	0698-4411	4	1	RESISTOR 140 1% .125W F TC=0+-100	24546	C4-1/8-T0-140R-F
A1R94	0683-6805	3		RESISTOR 68 5% .25W FC TC=400/+500	01121	CB6805
A1R95	0698-3437	2	1	RESISTOR 133 1% .125W F TC=0+-100	24546	C4-1/8-T0-133R-F
A1R96	0698-4399	7	1	RESISTOR 88.7 1% .125W F TC=0+-100	24546	C4-1/8-T0-88R7-F
A1R97	0683-6805	3		RESISTOR 68 5% .25W FC TC=400/+500	01121	CB6805
A1R98	0698-4561	5	1	RESISTOR 118 1% .25W F TC=0+-100	28480	0698-4561
A1R99	0698-4149	5	1	RESISTOR 86.6 1% .25W F TC=0+-100	24546	C5-1/4-T0-86R2-F
A1R101	0698-4407	8		RESISTOR 118 1% .125W F TC=0+-100	24546	C4-1/8-T0-118R-F
A1R102	0683-6805	3		RESISTOR 68 5% .25W FC TC=400/+500	01121	CB6805
A1R103	0757-0282	5	2	RESISTOR 221 1% .125W F TC=0+-100	24546	C4-1/8-T0-221R-F
A1R104	0698-4377	1	1	RESISTOR 37.4 1% .125W F TC=0+-100	24546	C4-1/8-T0-37R4-F
A1R105	0757-0282	5		RESISTOR 221 1% .125W F TC=0+-100	24546	C4-1/8-T0-221R-F
A1R106	0683-6805	3		RESISTOR 68 5% .25W FC TC=400/+500	01121	CB6805
A1R107	0698-4546	6	1	RESISTOR 63.4 1% .25W F TC=0+-100	24546	C5-1/4-T0-63R4-F
A1R108	2100-3288	8	1	RESISTOR-TRMR 50 20% C TOP-ADJ 17-TRN	28480	2100-3288
A1R109	0698-4415	8	1	RESISTOR 165 1% .125W F TC=0+-100	24546	C4-1/8-T0-165R-F
A1R110	2100-3210	6	1	RESISTOR-TRMR 10K 10% C TOP-ADJ 1-TRN	28480	2100-3210
A1R111	0683-6805	3		RESISTOR 68 5% .25W FC TC=400/+500	01121	CB6805
A1R112	0686-4705	4	1	RESISTOR 47 5% .5W CC TC=0+412	01121	EB4705
A1R114	0683-1035	1		RESISTOR 10K 5% .25W FC TC=400/+700	01121	CB1035
A1R115	0698-4453	4	4	RESISTOR 402 1% .125W F TC=0+-100	24546	C4-1/8-T0-402R-F
A1R116	0683-1035	1		RESISTOR 10K 5% .25W FC TC=400/+700	01121	CB1035
A1R117	0698-0085	0	1	RESISTOR 2.61K 1% .125W F TC=0+-100	24546	C4-1/8-T0-2611-F
A1R118	0757-0407	6	7	RESISTOR 200 1% .125W F TC=0+-100	24546	C4-1/8-T0-201-F
A1R119	0757-0407	6		RESISTOR 200 1% .125W F TC=0+-100	24546	C4-1/8-T0-201-F
A1R120	0683-6805	3		RESISTOR 68 5% .25W FC TC=400/+500	01121	CB6805
A1R121	0683-4705	8		RESISTOR 47 5% .25W FC TC=400/+500	01121	CB4705
A1R122	0683-2225	3		RESISTOR 2.2K 5% .25W FC TC=400/+700	01121	CB2225
A1R123	0683-2715	6	13	RESISTOR 270 5% .25W FC TC=400/+600	01121	CB2715
A1R124	0683-1025	9		RESISTOR 1K 5% .25W FC TC=400/+600	01121	CB1025
A1R125	0698-4453	4		RESISTOR 402 1% .125W F TC=0+-100	24546	C4-1/8-T0-402R-F
A1R126	0683-4705	8		RESISTOR 47 5% .25W FC TC=400/+500	01121	CB4705
A1R127	0683-1035	1		RESISTOR 10K 5% .25W FC TC=400/+700	01121	CB1035
A1R128	0683-1015	7		RESISTOR 100 5% .25W FC TC=400/+500	01121	CB1015
A1R129	0687-3311	8	1	RESISTOR 330 10% .5W CC TC=0+529	01121	EB3311
A1R130	0683-2215	1	18	RESISTOR 220 5% .25W FC TC=400/+600	01121	CB2215
A1R131	2100-3296	8		RESISTOR-TRMR 1K 10% C TOP-ADJ 17-TRN	28480	2100-3296
A1R132	0698-4414	7	1	RESISTOR 158 1% .125W F TC=0+-100	24546	C4-1/8-T0-158R-F
A1R133	0698-4121	3	2	RESISTOR 11.3K 1% .125W F TC=0+-100	24546	C4-1/8-T0-1132-F
A1R134	0683-0275	9	3	RESISTOR 2.7 5% .25W FC TC=400/+500	01121	CB275
A1R135	0698-3558	6	6	RESISTOR 4.02K 1% .125W F TC=0+-100	24546	C4-1/8-T0-4021-F
A1R136	0683-0335	2	2	RESISTOR 3.3 5% .25W FC TC=400/+500	01121	CB335
A1R137	0698-4499	8	1	RESISTOR 54.9K 1% .125W F TC=0+-100	24546	C4-1/8-T0-5492-F
A1R138	0757-0434	9	2	RESISTOR 3.65K 1% .125W F TC=0+-100	24546	C4-1/8-T0-3651-F
A1R139	0683-0335	2		RESISTOR 3.3 5% .25W FC TC=400/+500	01121	CB335
A1R140	0683-1225	1	2	RESISTOR 1.2K 5% .25W FC TC=400/+700	01121	CB1225
A1R141	0683-1015	7		RESISTOR 100 5% .25W FC TC=400/+500	01121	CB1015
A1R142	0683-2205	9		RESISTOR 22 5% .25W FC TC=400/+500	01121	CB2205

See introduction to this section for ordering information  
\*Indicates factory selected value



**Table 9-3. Replaceable Parts (Cont'd)**

Reference Designation	HP Part Number	C D	Qty	Description	Mfr Code	Mfr Part Number
A1U11	1820-0946	4	3	IC GATE CMOS NOR QUAD 2-INP	0192B	CD4001AF
A1U12	1820-0946	4		IC GATE CMOS NOR QUAD 2-INP	0192B	CD4001AF
A1U13	1820-0946	4		IC GATE CMOS NOR QUAD 2-INP	0192B	CD4001AF
A1U14	1820-1145	7	1	IC BFR CMOS INV HEX 1-INP	0192B	CD4049AF
A1U15	1990-0577	6	4	OPTO-ISOLATOR LED=PDIO/XSTR IF=50MA-MAX	28480	5082-4355
A1U16	1990-0577	6		OPTO-ISOLATOR LED=PDIO/XSTR IF=50MA-MAX	28480	5082-4355
A1U17	1990-0577	6		OPTO-ISOLATOR LED=PDIO/XSTR IF=50MA-MAX	28480	5082-4355
A1U18	1990-0444	6	2	OPTO-ISOLATOR LED=PDIO/XSTR IF=25MA-MAX	28480	5082-4351
A1U19	1990-0444	6		OPTO-ISOLATOR LED=PDIO/XSTR IF=25MA-MAX	28480	5082-4351
A1U20	1990-0577	6		OPTO-ISOLATOR LED=PDIO/XSTR IF=50MA-MAX	28480	5082-4355
A1M66	03585-61666	0	1	CABLE ASSEMBLY	28480	03585-61666
A1 MISCELLANEOUS PARTS						
	0360-1917	4		TERMINAL-STUD SPCL-FDTHRU PRESS-MTG	98291	011-6812-00-0-206
	0340-0060	4	1	TERMINAL-STUD SPCL-FDTHRU PRESS-MTG	28480	0340-0060
	03585-21208	2	1	BAR, CONNECTOR MOUNTING	28480	03585-21208
	1200-0473	8	12	SOCKET-IC 16-CONT DIP DIP=SLDR	28480	1200-0473
	9170-0894	0	4	CORE=SHIELDING BEAD	28480	9170-0894
	1251-0600	0	30	CONNECTOR-SGL CONT PIN 1,14-MM-BSC-8Z SQ	28480	1251-0600
A2	03585-66502	3	1	PC ASSEMBLY, 1ST MIXER	28480	03585-66502
A2C1	0180-1794	4	1	CAPACITOR-FXD 22UF +-10% 35VD TA	28480	0180-1794
A2C8	0160-3879	7		CAPACITOR-FXD .01UF +-20% 100VDC CER	28480	0160-3879
A2C9	0160-2055	9		CAPACITOR-FXD .01UF +80-20% 100VDC CER	28480	0160-2055
A2C11	0160-2055	9		CAPACITOR-FXD .01UF +80-20% 100VDC CER	28480	0160-2055
A2C12	0160-3879	7		CAPACITOR-FXD .01UF +-20% 100VDC CER	28480	0160-3879
A2C13	0140-0077	9	1	CAPACITOR-FDTHRU 100PF 10X 500V MICA	72982	666-053 01A0 101K
A2C14	0160-2395	0	1	CAPACITOR-FXD 360PF +-10% 500VDC MICA	53021	M=100
A2C15	0160-2266	4		CAPACITOR-FXD 24PF +-5% 500VDC CER 0+-30	28480	0160-2266
A2C16	0160-2257	3		CAPACITOR-FXD 10PF +-5% 500VDC CER 0+-60	28480	0160-2257
A2C17	0160-2243	7	1	CAPACITOR-FXD 2.7PF +-25PF 500VDC CER	28480	0160-2243
A2CR1	1906-0211	8	1	DIODE-ARRAY VF DIFF=20MV	28480	5082-2831
A2J1	1251-1636	4		CONNECTOR-SGL CONT SKT .04-IN-BSC-8Z RND	28480	1251-1636
A2J2	1250-1314	3	6	CONNECTOR-RFL 8M-BLD FEM PC 50-0HM	28480	1250-1314
A2J3	1251-1636	4		CONNECTOR-SGL CONT SKT .04-IN-BSC-8Z RND	28480	1251-1636
A2J4	1251-2501	4		CONNECTOR-SGL CONT SKT .022-IN-BSC-8Z	28480	1251-2501
A2J4	1251-4045	5		CONNECTOR	28480	1251-4045
A2J5	1251-4822	6	5	CONNECTOR 3-PIN M POST TYPE	28480	1251-4822
A2J5	1258-0141	8		JUMPER REMOVABLE	28480	1258-0141
A2L1	9100-0539	3	8	COIL-MLD 10UH 5% Q=55 .155DX,375LG-NOM	28480	9100-0539
A2L6	9100-3551	5	8	COIL-MLD 1UH 5% Q=50 .155DX,375LG-NOM	28480	9100-3551
A2L7	03585-67902	9	1	COIL, 25 NH	28480	03585-67902
A2L8	03585-67901	8	1	COIL, 7 NH	28480	03585-67901
A2L9	03585-67903	0	1	INDUCTOR, SHORTED	28480	03585-67903
A2L11	9100-1379	1	1	INDUCTOR, VAR	28480	9100-1379
A2L12	9100-4041	0		COIL 11.5T	28480	9100-4041
A2R1	0683-6805	3		RESISTOR 68 5% .25W FC TC=-400/+500	01121	C86805
A2R3	0683-2215	1		RESISTOR 220 5% .25W FC TC=-400/+600	01121	C82215
A2R4	0683-1615	3	3	RESISTOR 160 5% .25W FC TC=-400/+600	01121	C81615
A2R5	0683-4705	8		RESISTOR 47 5% .25W FC TC=-400/+500	01121	C84705
A2R6	0683-4705	8		RESISTOR 47 5% .25W FC TC=-400/+500	01121	C84705
A2R7	0683-3305	2	6	RESISTOR 33 5% .25W FC TC=-400/+500	01121	C83305
A2R8	0686-1515	8	1	RESISTOR 150 5% .5W CC TC=0+529	01121	EB1515
A2R9	0683-2215	1		RESISTOR 220 5% .25W FC TC=-400/+600	01121	C82215
A2R10	0683-1615	3		RESISTOR 160 5% .25W FC TC=-400/+600	01121	C81615
A2R11	0683-1015	1	2	RESISTOR 100 5% .25W FC TC=400/+500	01121	CB1015
A2R12	0683-1015	1		RESISTOR 100 5% .25W FC TC=400/+500	01121	CB1015
A2R13	0683-4705	8		RESISTOR 47 5% .25W FC TC=-400/+500	01121	C84705
A2R14	0683-4705	8		RESISTOR 47 5% .25W FC TC=-400/+500	01121	C84705
A2R15	0683-4705	8		RESISTOR 47 5% .25W FC TC=-400/+500	01121	C84705
A2R16	0683-1015	7		RESISTOR 100 5% .25W FC TC=-400/+500	01121	CB1015
A2R17	0683-1015	7		RESISTOR 100 5% .25W FC TC=-400/+500	01121	CB1015
A2R18	0683-2215	1		RESISTOR 220 5% .25W FC TC=-400/+600	01121	C82215
A28M1	8160-0289	5	1	SHIELD	28480	8160-0289
A2T1	08552-6044	1		TRANSFORMER, 6-TURNS	28480	08552-6044
A2T2	9100-4038	5	2	TRANSFORMER BEAD CORE; WITH CT PRI & SEC	28480	9100-4038
A2T3	9100-4039	6	2	TRANSFORMER-POWER	28480	9100-4039
A2T4	08552-6024	9		TRANSFORMER	28480	08552-6024

See introduction to this section for ordering information  
 \*Indicates factory selected value

Table 9-3. Replaceable Parts (Cont'd)

Reference Designation	HP Part Number	C	D	Qty	Description	Mfr Code	Mfr Part Number
A1R143	0757-0401	0		7	RESISTOR 100 1% .125W F TC=0+-100	24546	C4=1/8-T0=101-F
A1R144	0757-0401	0			RESISTOR 100 1% .125W F TC=0+-100	24546	C4=1/8-T0=101-F
A1R145	0683-1045	3			RESISTOR 100K 5% .25W FC TC=-400/+800	01121	CB1045
A1R146	0683-4725	2			RESISTOR 4.7K 5% .25W FC TC=-400/+700	01121	CB4725
A1R147	0698-3496	3	2		RESISTOR 3.57K 1% .125W F TC=0+-100	24546	C4=1/8-T0=357R-F
A1R148	0683-3005	9		1	RESISTOR 30 5% .25W FC TC=-400/+500	01121	CB3005
A1R149	0683-7515	4		6	RESISTOR 750 5% .25W FC TC=-400/+600	01121	CB7515
A1R150	0683-1005	5		11	RESISTOR 10 5% .25W FC TC=-400/+500	01121	CB1005
A1R151	0683-1015	7			RESISTOR 100 5% .25W FC TC=-400/+500	01121	CB1015
A1R152	0683-1015	7			RESISTOR 100 5% .25W FC TC=-400/+500	01121	CB1015
A1R153	0757-0280	3		20	RESISTOR 1K 1% .125W F TC=0+-100	24546	C4=1/8-T0=1001-F
A1R154	0683-1035	1			RESISTOR 10K 5% .25W FC TC=-400/+700	01121	CB1035
A1R155	0683-2045	5		6	RESISTOR 200K 5% .25W FC TC=-800/+900	01121	CB2045
A1R156	0683-4705	8			RESISTOR 47 5% .25W FC TC=-400/+500	01121	CB4705
A1R157	0683-0365	8		1	RESISTOR 3.6 5% .25W FC TC=-400/+500	01121	CB3665
A1R158	0683-6825	7			RESISTOR 6.8K 5% .25W FC TC=-400/+700	01121	CB6825
A1R159	0683-2035	3		20	RESISTOR 20K 5% .25W FC TC=-400/+800	01121	CB2035
A1R160	0683-4725	2			RESISTOR 4.7K 5% .25W FC TC=-400/+700	01121	CB4725
A1R161	0683-2035	3			RESISTOR 20K 5% .25W FC TC=-400/+800	01121	CB2035
A1R162	0683-1045	3			RESISTOR 100K 5% .25W FC TC=-400/+800	01121	CB1045
A1R163	0683-4705	8			RESISTOR 47 5% .25W FC TC=-400/+500	01121	CB4705
A1R164	0683-6825	7			RESISTOR 6.8K 5% .25W FC TC=-400/+700	01121	CB6825
A1R165	0683-4745	6		2	RESISTOR 470K 5% .25W FC TC=-800/+900	01121	CB4745
A1R166	0683-2035	3			RESISTOR 20K 5% .25W FC TC=-400/+800	01121	CB2035
A1R167	0683-1045	3			RESISTOR 100K 5% .25W FC TC=-400/+800	01121	CB1045
A1R168	0683-3945	6		2	RESISTOR 390K 5% .25W FC TC=-800/+900	01121	CB3945
A1R169	0683-3945	6			RESISTOR 390K 5% .25W FC TC=-800/+900	01121	CB3945
A1R170	2100-0558	9		3	RESISTOR-TRMR 20K 10% C TOP-ADJ 1-TRN	28480	2100-0558
A1R171	0683-2035	3			RESISTOR 20K 5% .25W FC TC=-400/+800	01121	CB2035
A1R172	0757-0457	6		1	RESISTOR 47.5K 1% .125W F TC=0+-100	24546	C4=1/8-T0=4752-F
A1R173	2100-3286	6		2	RESISTOR-TRMR 10K 10% C TOP-ADJ 17-TRN	32997	3292W-1-103
A1R174	2100-3286	6			RESISTOR-TRMR 10K 10% C TOP-ADJ 17-TRN	32997	3292W-1-103
A1R175	0683-1025	9			RESISTOR 1K 5% .25W FC TC=-400/+600	01121	CB1025
A1R176	0683-1025	9			RESISTOR 1K 5% .25W FC TC=-400/+600	01121	CB1025
A1R177	0683-1045	3			RESISTOR 100K 5% .25W FC TC=-400/+800	01121	CB1045
A1R178	0683-1035	1			RESISTOR 10K 5% .25W FC TC=-400/+700	01121	CB1035
A1R179	0683-2025	1		6A	RESISTOR 2K 5% .25W FC TC=-400/+700	01121	CB2025
A1R180	0683-5125	8		14	RESISTOR 5.1K 5% .25W FC TC=-400/+700	01121	CB5125
A1R181	0683-1045	3			RESISTOR 100K 5% .25W FC TC=-400/+800	01121	CB1045
A1R182	0683-1045	3			RESISTOR 100K 5% .25W FC TC=-400/+800	01121	CB1045
A1R183	0683-1045	3			RESISTOR 100K 5% .25W FC TC=-400/+800	01121	CB1045
A1R184	0683-1045	3			RESISTOR 100K 5% .25W FC TC=-400/+800	01121	CB1045
A1R185	0683-1045	3			RESISTOR 100K 5% .25W FC TC=-400/+800	01121	CB1045
A1R186	0683-1045	3			RESISTOR 100K 5% .25W FC TC=-400/+800	01121	CB1045
A1R187	0683-1045	3			RESISTOR 100K 5% .25W FC TC=-400/+800	01121	CB1045
A1R188	0683-1015	7			RESISTOR 100 5% .25W FC TC=-400/+500	01121	CB1015
A1R189	0683-2215	1			RESISTOR 220 5% .25W FC TC=-400/+600	01121	CB2215
A1R190	0683-1025	9			RESISTOR 1K 5% .25W FC TC=-400/+600	01121	CB1025
A1R191	0683-1015	7			RESISTOR 100 5% .25W FC TC=-400/+500	01121	CB1015
A1R192	0683-2215	1			RESISTOR 220 5% .25W FC TC=-400/+600	01121	CB2215
A1R193	0683-2225	3			RESISTOR 2.2K 5% .25W FC TC=-400/+700	01121	CB2225
A1R194	0683-2225	3			RESISTOR 2.2K 5% .25W FC TC=-400/+700	01121	CB2225
A1R195	0683-2225	3			RESISTOR 2.2K 5% .25W FC TC=-400/+700	01121	CB2225
A1R196	0683-2225	3			RESISTOR 2.2K 5% .25W FC TC=-400/+700	01121	CB2225
A1R197	0683-2225	3			RESISTOR 2.2K 5% .25W FC TC=-400/+700	01121	CB2225
A1R198	0683-2225	3			RESISTOR 2.2K 5% .25W FC TC=-400/+700	01121	CB2225
A1R199	0683-2225	3			RESISTOR 2.2K 5% .25W FC TC=-400/+700	01121	CB2225
A1R201	0683-4735	4			RESISTOR 47K 5% .25W FC TC=-400/+800	01121	CB4735
A1R202	0683-4735	4			RESISTOR 47K 5% .25W FC TC=-400/+800	01121	CB4735
A1R203	0683-4735	4			RESISTOR 47K 5% .25W FC TC=-400/+800	01121	CB4735
A1R204	0683-1065	4			RESISTOR 10M 5% .25W FC TC=900/+100	01607	CB1065
A1R205	0683-1065	4			RESISTOR 10M 5% .25W FC TC=900/+100	01607	CB1065
AIT1	9011-1393	9		1	COIL, XFMR-TRIFILAR, .375DIAx, 625HI, ENCAP	28480	9100-1393
AIT2	08552-6024	9		3	TRANSFORMER	28480	08552-6024
A1TP3	1251-2501	4		7	CONNECTOR-SGL CONT SKT .022-IN-BSC-8Z	28480	1251-2501
A1TP3	1251-4045	5			CONNECTOR	28480	1251-4045
A1U1	1858-0004	4		4	TRANSISTOR ARRAY	01928	CA3049
A1U2	1826-0043	4		14	OP AMP GP TO-99	01928	CA3077
A1U3	1858-0004	4			TRANSISTOR ARRAY	01928	CA3049
A1U4	1826-0043	4			OP AMP GP TO-99	01928	CA3077
A1U5	1826-0043	4			OP AMP GP TO-99	01928	CA3077
A1U6	1826-0035	4		1	OP AMP LOW-DRIFT TO-99	27014	LM308AH
A1U7	1820-0270	7		1	WIDEBAND AMPL VID TO-100	07263	733HC
A1U8	1826-0111	7		3	OP AMP GP DUAL TO-99	04713	MC1458G
A1U9	1858-0047	5		2	TRANSISTOR ARRAY DA-PIN	13606	ULN-2003A
A1U10	1858-0047	5			TRANSISTOR ARRAY DA-PIN	13606	ULN-2003A

See introduction to this section for ordering information  
 \*Indicates factory selected value

**Table 9-3. Replaceable Parts (Cont'd)**

Reference Designation	HP Part Number	C D	Qty	Description	Mfr Code	Mfr Part Number
A2U1	1858-0059	9	1	TRANSISTOR ARRAY, 8-PIN PLSTC DIP	28480	1858-0059
A2U2	1856-0059	9		TRANSISTOR ARRAY, 8-PIN PLSTC DIP	28480	1858-0059
	03585-00301	2	1	HEAT SINK	28480	03585-00301
	0380-0333	8	4	STANDOFF-RVT-ON .312-IN-LG 4-40TMD	00000	ORDER BY DESCRIPTION
A3	03585-66503	4	1	100-35 MHZ IF	28480	03585-66503
A3C1	0160-2265	3	4	CAPACITOR-FXD 22PF +-5% 500VDC CER 0+-30	28480	0160-2265
A3C2	0160-2266	4		CAPACITOR-FXD 24PF +-5% 500VDC CER 0+-30	28480	0160-2266
A3C3	0160-2266	4		CAPACITOR-FXD 24PF +-5% 500VDC CER 0+-30	28480	0160-2266
A3C4	0160-2266	4		CAPACITOR-FXD 24PF +-5% 500VDC CER 0+-30	28480	0160-2266
A3C5	0160-2249	3	3	CAPACITOR-FXD 4.7PF +-25PF 500VDC CER	28480	0160-2249
A3C6	0160-2265	3		CAPACITOR-FXD 22PF +-5% 500VDC CER 0+-30	28480	0160-2265
A3C7	0160-2265	3		CAPACITOR-FXD 22PF +-5% 500VDC CER 0+-30	28480	0160-2265
A3C8	0121-0451	3		CAPACITOR-V TRMR-AIR 1.7-11PF 250V	74970	187-0106-005
A3C9	0160-2265	3		CAPACITOR-FXD 22PF +-5% 500VDC CER 0+-30	28480	0160-2265
A3C10	0160-2249	3		CAPACITOR-FXD 4.7PF +-25PF 500VDC CER	28480	0160-2249
A3C11	0160-3847	9	182	CAPACITOR-FXD .01UF +100-0% 50VDC CER	28480	0160-3847
A3C12	0160-3879	7		CAPACITOR-FXD .01UF +-20% 100VDC CER	28480	0160-3879
A3C13	0160-3879	7		CAPACITOR-FXD .01UF +-20% 100VDC CER	28480	0160-3879
A3C14	0150-0029	2	2	CAPACITOR-FXD 1PF +-10% 500VDC TI DIOX	28480	0150-0029
A3J1	1251-2501	4		CONNECTOR-SGL CONT SKT .022-IN-B8C-8Z	28480	1251-2501
A3J1	1251-4045	5		CONNECTOR	28480	1251-4045
A3J2	1251-2501	4		CONNECTOR-SGL CONT SKT .022-IN-B8C-8Z	28480	1251-2501
A3J2	1251-4045	5		CONNECTOR	28480	1251-4045
A3L1	9100-1376	8	5	INDUCTOR - VAR	28480	9100-1376
A3L2	9100-1376	8		INDUCTOR - VAR	28480	9100-1376
A3L3	9100-1376	8		INDUCTOR - VAR	28480	9100-1376
A3L4	9140-0263	4	1	COIL-MLD 240NH 5% Q=45 .155DX,375LG=NOM	28480	9140-0263
A3L5	9100-1376	8		INDUCTOR - VAR	28480	9100-1376
A3L6	9100-3548	0	3	COIL-MLD 470NH 5% Q=45 .155DX,375LG=NOM	28480	9100-3548
A3L7	9100-1376	8		INDUCTOR - VAR	28480	9100-1376
A3L8	9140-0144	0		COIL-MLD 4.7UH 10% Q=45 .095DX,25LG=NOM	28480	9140-0144
A3Q1	1854-0305	0		TRANSISTOR NPN SI TO-18 PD=400MW	28480	1854-0305
A3Q2	1854-0305	0		TRANSISTOR NPN SI TO-18 PD=400MW	28480	1854-0305
A3R1	0683-1035	1		RESISTOR 10K 5% .25W FC TC=-400/+700	01121	C81035
A3R2	0683-4705	8		RESISTOR 47 5% .25W FC TC=-400/+500	01121	C84705
A3R3	0683-1035	1		RESISTOR 10K 5% .25W FC TC=-400/+700	01121	C81035
A3R4	0683-6815	5	18	RESISTOR 680 5% .25W FC TC=-400/+600	01121	C86815
A3R5	0683-4705	8		RESISTOR 47 5% .25W FC TC=-400/+500	01121	C84705
A3R6	0683-1315	0	1	RESISTOR 130 5% .25W FC TC=-400/+600	01121	C81315
A3R7	0683-6805	3		RESISTOR 68 5% .25W FC TC=-400/+500	01121	C86805
A3R9	0683-0685	5	1	RESISTOR 6.8 5% .25W FC TC=-400/+500	01121	C86865
A3R10	0683-0475	1	1	RESISTOR 4.7 5% .25W FC TC=-400/+500	01121	C84765
A3TP1	0360-0124	3	141	CONNECTOR-SGL CONT PIN .04-IN-B8C-8Z RND	28480	0360-0124
A4	03585-66504	5	1	PC ASSEMBLY, 2ND MIXER	28480	03585-66504
A4C1	0140-0193	0	3	CAPACITOR-FXD 82PF +-5% 300VDC MICA	72136	DM15E82J0300MV1CR
A4C2	0121-0451	3		CAPACITOR-V TRMR-AIR 1.7-11PF 250V	74970	187-0106-005
A4C3	0121-0451	3		CAPACITOR-V TRMR-AIR 1.7-11PF 250V	74970	187-0106-005
A4C4	0160-3879	7		CAPACITOR-FXD .01UF +-20% 100VDC CER	28480	0160-3879
A4C5	0160-0945	2	3	CAPACITOR-FXD 910PF +-5% 100VDC MICA	28480	0160-0945
A4C6	0160-2205	1	3	CAPACITOR-FXD 120PF +-5% 300VDC MICA	28480	0160-2205
A4C7	0160-3879	7		CAPACITOR-FXD .01UF +-20% 100VDC CER	28480	0160-3879
A4C8	0160-3879	7		CAPACITOR-FXD .01UF +-20% 100VDC CER	28480	0160-3879
A4C9	0140-0192	9	2	CAPACITOR-FXD 68PF +-5% 300VDC MICA	72136	DM15E68J0300MV1CR
A4C10	0140-0191	8	3	CAPACITOR-FXD 56PF +-5% 300VDC MICA	72136	DM15E56J0300MV1CR
A4C11	0140-0190	7	10	CAPACITOR-FXD 39PF +-5% 300VDC MICA	72136	DM15E39J0300MV1CR
A4C12	0160-3879	7		CAPACITOR-FXD .01UF +-20% 100VDC CER	28480	0160-3879
A4C13	0160-3879	7		CAPACITOR-FXD .01UF +-20% 100VDC CER	28480	0160-3879
A4C14	0160-3879	7		CAPACITOR-FXD .01UF +-20% 100VDC CER	28480	0160-3879
A4C15	0160-2306	3		CAPACITOR-FXD 27PF +-5% 300VDC MICA	28480	0160-2306
A4C16	0160-4381	8	3	CAPACITOR-FXD 1.5PF +-25PF 200VDC CER	28480	0160-4381
A4C17	0160-4381	8		CAPACITOR-FXD 1.5PF +-25PF 200VDC CER	28480	0160-4381
A4C18	0160-4381	8		CAPACITOR-FXD 1.5PF +-25PF 200VDC CER	28480	0160-4381
A4CR1	1906-0210	7	1	DIODE-ARRAY VF DIFF=20MV	28480	5082-2830
A4J1	1250-1314	3		CONNECTOR-RF SM-SLD FEM PC 50-OHM	28480	1250-1314
A4J2	1251-2501	4		CONNECTOR-SGL CONT SKT .022-IN-B8C-8Z	28480	1251-2501
A4J2	1251-4045	5		CONNECTOR	28480	1251-4045
A4J3	1251-1636	4		CONNECTOR-SGL CONT SKT .04-IN-B8C-8Z RND	28480	1251-1636
A4J4	1251-2501	4		CONNECTOR-SGL CONT SKT .022-IN-B8C-8Z	28480	1251-2501
A4J4	1251-4045	5		CONNECTOR	28480	1251-4045

See introduction to this section for ordering information  
 \*Indicates factory selected value

Table 9-3. Replaceable Parts (Cont'd)

Reference Designation	HP Part Number	C D	Qty	Description	Mfr Code	Mfr Part Number
A4L1	9140-0144	0		COIL-MLD 4.7UH 10% Q=45 .095DX,25LG-NOM	28480	9140-0144
A4L2	9100-3548	0		COIL-MLD 470NH 5% Q=45 .155DX,375LG-NOM	28480	9100-3548
A4L3	9100-2252	1	2	COIL-MLD 270NH 10% Q=30 .095DX,25LG-NOM	28480	9100-2252
A4L4	9100-2260	1	3	COIL-MLD 1.8UH 10% Q=32 .095DX,25LG-NOM	28480	9100-2260
A4L5	9140-0210	1	14	COIL-MLD 100UH 5% Q=50 .155DX,375LG-NOM	28480	9140-0210
A4L6	9140-0142	8	4	COIL-MLD 2.2UH 10% Q=32 .095DX,25LG-NOM	28480	9140-0142
A4L7	9140-0297	4	5	COIL-VAR 1.98UH-2.42UH Q=150 PC-MTG	28480	9140-0297
A4L8	9140-0144	0		COIL-MLD 4.7UH 10% Q=45 .095DX,25LG-NOM	28480	9140-0144
A4L9	9100-3548	0		COIL-MLD 470NH 5% Q=45 .155DX,375LG-NOM	28480	9100-3548
A4Q1	1854-0247	9		TRANSISTOR NPN SI TO-39 PD=1W FT=800MHZ	28480	1854-0247
A4Q2	1854-0305	0		TRANSISTOR NPN SI TO-18 PD=400MW	28480	1854-0305
A4Q3	1854-0305	0		TRANSISTOR NPN SI TO-18 PD=400MW	28480	1854-0305
A4R2	0683-4715	0	52	RESISTOR 470 5% .25W FC TC=-400/+600	01121	C84715
A4R3	0683-2205	9		RESISTOR 22 5% .25W FC TC=-400/+500	01121	C82205
A4R4	0683-1025	9		RESISTOR 1K 5% .25W FC TC=-400/+600	01121	C81025
A4R5	0683-1015	7		RESISTOR 100 5% .25W FC TC=-400/+500	01121	C81015
A4R6	0683-2205	9		RESISTOR 22 5% .25W FC TC=-400/+500	01121	C82205
A4R7	0683-6805	3		RESISTOR 68 5% .25W FC TC=-400/+500	01121	C86805
A4R8	0683-4705	8		RESISTOR 47 5% .25W FC TC=-400/+500	01121	C84705
A4R9	0683-1525	4	33	RESISTOR 1.5K 5% .25W FC TC=-400/+700	01121	C81525
A4R10	0683-4705	8		RESISTOR 47 5% .25W FC TC=-400/+500	01121	C84705
A4R11	0683-1025	9		RESISTOR 1K 5% .25W FC TC=-400/+600	01121	C81025
A4R12	0683-2715	6		RESISTOR 270 5% .25W FC TC=-400/+600	01121	C82715
A4R13	0683-4705	8		RESISTOR 47 5% .25W FC TC=-400/+500	01121	C84705
A4R14	0683-4715	0		RESISTOR 470 5% .25W FC TC=-400/+600	01121	C84715
A4T1	9100-4038	5		TRANSFORMER BEAD CORE; WITH CT PRI & SEC	28480	9100-4038
A4T2	9100-4039			TRANSFORMER-POWER	28480	9100-4039
A4TP1	0360-0124	3		CONNECTOR=8GL CONT PIN .04-IN=88C-8Z RND	28480	0360-0124
A5	03585-66505	6	1	3RD MIXER	28480	03585-66505
A5C1	0160-2205	1		CAPACITOR-FXD 120PF +-5% 300VDC MICA	28480	0160-2205
A5C2	0140-0193	0		CAPACITOR-FXD 82PF +-5% 300VDC MICA	72136	DM15E820J0300HV1CR
A5C3	0140-0192	9		CAPACITOR-FXD 68PF +-5% 300VDC MICA	72136	DM15E680J0300HV1CR
A5C4	0160-2203	9	2	CAPACITOR-FXD 91PF +-5% 300VDC MICA 0+70	28480	0160-2203
A5C5	0160-2150	5		CAPACITOR-FXD 33PF +-5% 300VDC MICA	28480	0160-2150
A5C6	0160-2204	0	10	CAPACITOR-FXD 100PF +-5% 300VDC MICA	28480	0160-2204
A5C7	0160-3879	7		CAPACITOR-FXD .01UF +-20% 100VDC CER	28480	0160-3879
A5C8	0180-0098	8		CAPACITOR-FXD 100UF +-20% 20VDC TA	56289	150D107X0020S2
A5C9	0160-3879	7		CAPACITOR-FXD .01UF +-20% 100VDC CER	28480	0160-3879
A5C10	0160-0576	5	12	CAPACITOR-FXD .1UF +-20% 50VDC CER	28480	0160-0576
A5C11	0160-0576	5		CAPACITOR-FXD .1UF +-20% 50VDC CER	28480	0160-0576
A5C12	0160-0576	5		CAPACITOR-FXD .1UF +-20% 50VDC CER	28480	0160-0576
A5C13	0160-0576	5		CAPACITOR-FXD .1UF +-20% 50VDC CER	28480	0160-0576
A5C14	0160-0576	5		CAPACITOR-FXD .1UF +-20% 50VDC CER	28480	0160-0576
A5C15	0160-0576	5		CAPACITOR-FXD .1UF +-20% 50VDC CER	28480	0160-0576
A5C16	0160-3879	7		CAPACITOR-FXD .01UF +-20% 100VDC CER	28480	0160-3879
A5C17	0140-0197	4	1	CAPACITOR-FXD 180PF +-5% 300VDC MICA	72136	DM15F181J0300HV1CR
A5C18	0160-0376	3	1	CAPACITOR-FXD 68PF +-5% 500VDC MICA	28480	0160-0376
A5C19	0160-2226	6	2	CAPACITOR-FXD 2200PF +-5% 300VDC MICA	28480	0160-2226
A5C21	0160-2150	5		CAPACITOR-FXD 33PF +-5% 300VDC MICA	28480	0160-2150
A5C22	0160-2009	3	1	CAPACITOR-FXD 820PF +-5% 300VDC MICA	28480	0160-2009
A5C23	0160-3538	5	2	CAPACITOR-FXD 750PF +-5% 100VDC MICA	28480	0160-3538
A5C24	0140-0210	2	4	CAPACITOR-FXD 270PF +-5% 300VDC MICA	72136	DM15F271J0300HV1CR
A5C25	0160-2223	3	1	CAPACITOR-FXD 1600PF +-5% 300VDC MICA	28480	0160-2223
A5C26	0160-2055	9		CAPACITOR-FXD .01UF +-80-20% 100VDC CER	28480	0160-2055
A5C27	0160-0576	5		CAPACITOR-FXD .1UF +-20% 50VDC CER	28480	0160-0576
A5J1	1251-2501	4		CONNECTOR=8GL CONT SKT .022-IN=88C-8Z	28480	1251-2501
A5J1	1251-4045	5	7	CONNECTOR	28480	1251-4045
A5J2	1250-1314	3		CONNECTOR=RF 8M-8LD FEM PC 50-OHM	28480	1250-1314
A5J3	1251-1636	4		CONNECTOR=8GL CONT SKT .04-IN=88C-8Z RND	28480	1251-1636
A5J4	1251-1636	4		CONNECTOR=8GL CONT SKT .04-IN=88C-8Z RND	28480	1251-1636
A5J5	1250-1314	3		CONNECTOR=RF 8M-8LD FEM PC 50-OHM	28480	1250-1314
A5L1	9140-0297	4		COIL-VAR 1.98UH-2.42UH Q=150 PC-MTG	28480	9140-0297
A5L2	9140-0297	4		COIL-VAR 1.98UH-2.42UH Q=150 PC-MTG	28480	9140-0297
A5L3	9140-0296	3	1	COIL-VAR 3.51UH-4.29UH Q=150 PC-MTG	28480	9140-0296
A5L4	9140-0297	4		COIL-VAR 1.98UH-2.42UH Q=150 PC-MTG	28480	9140-0297
A5L5	9140-0295	2	1	COIL-VAR 8.09UH-10.01UH Q=130 PC-MTG	28480	9140-0295
A5L6	9140-0297	4		COIL-VAR 1.98UH-2.42UH Q=150 PC-MTG	28480	9140-0297
A5L7	9140-0210	1		COIL-MLD 100UH 5% Q=50 .155DX,375LG-NOM	28480	9140-0210
A5L8	9100-3551	5		COIL-MLD 1UH 5% Q=50 .155DX,375LG-NOM	28480	9100-3551
A5L9	9140-0131	5	5	COIL-MLD 10MH 5% Q=80 .24DX,74LG-NOM	28480	9140-0131
A5L10	9140-0131	5		COIL-MLD 10MH 5% Q=80 .24DX,74LG-NOM	28480	9140-0131

See introduction to this section for ordering information  
 \*Indicates factory selected value

Table 9-3. Replaceable Parts (Cont'd)

Reference Designation	HP Part Number	C D	Qty	Description	Mfr Code	Mfr Part Number
A5L11	9100-1619	2	1	COIL-MLD 6,8UH 10X Q=50 .155DX,375LG-NOM	28480	9100-1619
A5L12	9140-0210	1		COIL-MLD 100UH 5X Q=50 .155DX,375LG-NOM	28480	9140-0210
A5L13	9100-3551	5		COIL-MLD 1UH 5X Q=50 .155DX,375LG-NOM	28480	9100-3551
A5L14	9140-0261	2	1	COIL-MLD 100NH 5X Q=50 .155DX,375LG-NOM	28480	9140-0261
A5Q1	1854-0485	7		TRANSISTOR NPN SI TO-104 PD=175MW	28480	1854-0485
A5Q2	1854-0215	1	36	TRANSISTOR NPN SI PD=350MW FT=300MHZ	04713	2N3904
A5Q3	1854-0215	1		TRANSISTOR NPN SI PD=350MW FT=300MHZ	04713	2N3904
A5Q4	1854-0215	1		TRANSISTOR NPN SI PD=350MW FT=300MHZ	04713	2N3904
A5R1	0757-0440	7	6	RESISTOR 7.5K 1% .125W F TC=0+/-100	24546	C4-1/8-T0-7501-F
A5R2	0683-4705	8		RESISTOR 47 5% .25W FC TC=-400/+500	01121	CB4705
A5R3	0698-3557	7	2	RESISTOR 806 1% .125W F TC=0+/-100	24546	C4-1/8-T0-806R-F
A5R4	0698-3557	7		RESISTOR 806 1% .125W F TC=0+/-100	24546	C4-1/8-T0-806R-F
A5R5	0683-4705	8		RESISTOR 47 5% .25W FC TC=-400/+500	01121	CB4705
A5R6	0757-0440	7		RESISTOR 7.5K 1% .125W F TC=0+/-100	24546	C4-1/8-T0-7501-F
A5R7	0683-4725	2		RESISTOR 4.7K 5% .25W FC TC=-400/+700	01121	CB4725
A5R8	0683-4705	8		RESISTOR 47 5% .25W FC TC=-400/+500	01121	CB4705
A5R9	0683-4705	8		RESISTOR 47 5% .25W FC TC=-400/+500	01121	CB4705
A5R10	0698-4446	5	2	RESISTOR 267 1% .125W F TC=0+/-100	24546	C4-1/8-T0-267R-F
A5R11	0698-4461	4	1	RESISTOR 698 1% .125W F TC=0+/-100	24546	C4-1/8-T0-698R-F
A5R12	0698-4446	5		RESISTOR 267 1% .125W F TC=0+/-100	24546	C4-1/8-T0-267R-F
A5R13	0683-4705	8		RESISTOR 47 5% .25W FC TC=-400/+500	01121	CB4705
A5R14	0757-0280	3		RESISTOR 1K 1% .125W F TC=0+/-100	24546	C4-1/8-T0-1001-F
A5R15	0698-0084	9	1	RESISTOR 2.15K 1% .125W F TC=0+/-100	24546	C4-1/8-T0-2151-F
A5R16	0698-4453	4		RESISTOR 402 1% .125W F TC=0+/-100	24546	C4-1/8-T0-402R-F
A5R17	0683-4705	8		RESISTOR 47 5% .25W FC TC=-400/+500	01121	CB4705
A5R18	0683-4705	8		RESISTOR 47 5% .25W FC TC=-400/+500	01121	CB4705
A5R19	0683-4705	8		RESISTOR 47 5% .25W FC TC=-400/+500	01121	CB4705
A5R20	0683-4705	8		RESISTOR 47 5% .25W FC TC=-400/+500	01121	CB4705
A5R21	0757-0401	0		RESISTOR 100 1% .125W F TC=0+/-100	24546	C4-1/8-T0-101-F
A5R22	0757-0401	0		RESISTOR 100 1% .125W F TC=0+/-100	24546	C4-1/8-T0-101-F
A5R23	0757-0408	7	1	RESISTOR 243 1% .125W F TC=0+/-100	24546	C4-1/8-T0-243R-F
A5R24	0698-4462	5	1	RESISTOR 768 1% .125W F TC=0+/-100	24546	C4-1/8-T0-768R-F
A5R25	0683-4725	2		RESISTOR 4.7K 5% .25W FC TC=-400/+700	01121	CB4725
A59XU1	1200-0473	8		SOCKET-IC 16-CONT DIP DIP-SLDR	28480	1200-0473
A5T1	08552-6024	9		TRANSFORMER	28480	08552-6024
A5T2	08552-6044	1		TRANSFORMER, 6-TURNS	28480	08552-6044
A5T3	9100-4056	7	2	TRANSFORMER INDUCTANCE: 110UH +/-10%	28480	9100-4056
A5T4	9100-4056	7		TRANSFORMER INDUCTANCE: 110UH +/-10%	28480	9100-4056
A5U1	1826-0062	7	1	IC MIXER CIRCUIT	28480	1826-0062
A6A	03585-66506	7	1	CONNECTOR BOARD	28480	03585-66506
A6B	03585-66506	7		CONNECTOR BOARD	28480	03585-66506
A6C	03585-66506	7		CONNECTOR BOARD	28480	03585-66506
A6D	03585-66506	7		CONNECTOR BOARD	28480	03585-66506
A6C1	0160-3878	6	16	CAPACITOR-FXD 1000PF +/-20% 100VDC CER	28480	0160-3878
A6J1	1250-1593	0	4	ADAPTER-COAX STR M-SMB M-SMB	28480	1250-1593
A10	03585-66510	3	1	ANALOG MOTHER BOARD	28480	03585-66510
A10C1	0160-3622	8		CAPACITOR-FXD .1UF +80-20% 100VDC CER	26654	2130Y5V100R104Z
A10C2	0160-3622	8		CAPACITOR-FXD .1UF +80-20% 100VDC CER	26654	2130Y5V100R104Z
A10C3	0160-3622	8		CAPACITOR-FXD .1UF +80-20% 100VDC CER	26654	2130Y5V100R104Z
A10C4	0160-3622	8		CAPACITOR-FXD .1UF +80-20% 100VDC CER	26654	2130Y5V100R104Z
A10C5	0160-3622	8		CAPACITOR-FXD .1UF +80-20% 100VDC CER	26654	2130Y5V100R104Z
A10C6	0160-3622	8		CAPACITOR-FXD .1UF +80-20% 100VDC CER	26654	2130Y5V100R104Z
A10C7	0160-3622	8		CAPACITOR-FXD .1UF +80-20% 100VDC CER	26654	2130Y5V100R104Z
A10C8	0160-3622	8		CAPACITOR-FXD .1UF +80-20% 100VDC CER	26654	2130Y5V100R104Z
A10C9	0160-3622	8		CAPACITOR-FXD .1UF +80-20% 100VDC CER	26654	2130Y5V100R104Z
A10C10	0160-3622	8		CAPACITOR-FXD .1UF +80-20% 100VDC CER	26654	2130Y5V100R104Z
A10C11	0160-3622	8		CAPACITOR-FXD .1UF +80-20% 100VDC CER	26654	2130Y5V100R104Z
A10C12	0160-3622	8		CAPACITOR-FXD .1UF +80-20% 100VDC CER	26654	2130Y5V100R104Z
A10C13	0160-3622	8		CAPACITOR-FXD .1UF +80-20% 100VDC CER	26654	2130Y5V100R104Z
A10C14	0160-3622	8		CAPACITOR-FXD .1UF +80-20% 100VDC CER	26654	2130Y5V100R104Z
A10C15	0160-3622	8		CAPACITOR-FXD .1UF +80-20% 100VDC CER	26654	2130Y5V100R104Z
A10C16	0160-3622	8		CAPACITOR-FXD .1UF +80-20% 100VDC CER	26654	2130Y5V100R104Z
A10C17	0160-0128	3		CAPACITOR-FXD 2.2UF +/-20% 50VDC CER	28480	0160-0128
A10C18	0160-0128	3		CAPACITOR-FXD 2.2UF +/-20% 50VDC CER	28480	0160-0128
A10C19	0160-0128	3		CAPACITOR-FXD 2.2UF +/-20% 50VDC CER	28480	0160-0128
A10C20	0160-3622	8		CAPACITOR-FXD .1UF +80-20% 100VDC CER	26654	2130Y5V100R104Z

See introduction to this section for ordering information  
 \*Indicates factory selected value

Table 9-3. Replaceable Parts (Cont'd)

Reference Designation	HP Part Number	C D	Qty	Description	Mfr Code	Mfr Part Number
A10C21	0160-3622	8		CAPACITOR-FXD .1UF +80-20% 100VDC CER	26654	2130Y5V100R104Z
A10C22	0160-3622	8		CAPACITOR-FXD .1UF +80-20% 100VDC CER	26654	2130Y5V100R104Z
A10L1	9140-0210	1	35	INDUCTOR RF-CH-MLD 100UH	24226	15/103
A10L2	9140-0210	1		INDUCTOR RF-CH-MLD 100UH	24226	15/103
A10L3	9140-0210	1		INDUCTOR RF-CH-MLD 100UH	24226	15/103
A10L4	9140-0210	1		INDUCTOR RF-CH-MLD 100UH	24226	15/103
A10L5	9140-0210	1		INDUCTOR RF-CH-MLD 100UH	24226	15/103
A10L6	9100-0541	7		COIL-MLD 250UH 10% Q=3 .25DX,5LG-NOM	28480	9100-0541
A10L7	9140-0029	0		INDUCTOR 75UH 10% .281DX .375LG Q=10	99848	3100-12-101
A10L8	9140-0029	0		INDUCTOR 75UH 10% .281DX .375LG Q=10	99848	3100-12-101
A10L9	9100-1618	1		INDUCTOR RF-CH-MLD 5.6UH 10%	24226	15/561
A10L10	9140-0210	1		INDUCTOR RE-CH-MLD 100UH	24226	15/103
A10L11	9140-0210	1		INDUCTOR RF-CH-MLD 100UH	24226	15/103
A10L12	9140-0210	1		INDUCTOR RF-CH-MLD 100UH	24226	15/103
A10L13	9140-0210	1		INDUCTOR RF-CH-MLD 100UH	24226	15/103
A10L14	9140-0210	1		INDUCTOR RF-CH-MLD 100UH	24226	15/103
A10L15	9140-0210	1		INDUCTOR RF-CH-MLD 100UH	24226	15/103
A10L16	9100-1618	1		INDUCTOR RF-CH-MLD 5.6UH 10%	24226	15/561
A10L17	9100-3458	1	8	CHOKE, WIDE BAND	28480	9100-3458
A10L18	9100-3458	1		CHOKE, WIDE BAND	28480	9100-3458
A10L19	9100-3458	1		CHOKE, WIDE BAND	28480	9100-3458
A10L20	9140-0210	1		INDUCTOR RF-CH-MLD 100UH	24226	15/103
A10L21	9140-0210	1		INDUCTOR RF-CH-MLD 100UH	24226	15/103
A10L22	9100-0541	7		COIL-MLD 250UH 10% Q=3 .25DX,5LG-NOM	28480	9100-0541
A10L23	9100-0541	7		COIL-MLD 250UH 10% Q=3 .25DX,5LG-NOM	28480	9100-0541
A10 MISCELLANEOUS PARTS						
	1251-0472	4	1	CONNECTOR-PC EDGE 6=CONT/ROW 2=ROWS	28480	1251-0472
	1251-2035	9	3	CONNECTOR-PC EDGE 15=CONT/ROW 2=ROWS	28480	1251-2035
	1251-5160	7	1	CONNECTOR-PC EDGE 36=CONT/ROW 2=ROWS	28480	1251-5160
	1530-1942	7	1	MACHINED PART-BRS CLEVIS	00000	ANY SATISFACTORY SOURCE
A14	03585-66514	7	1	PC ASSEMBLY, LOG AMPLIFIER	28480	03585-66514
A14C1	0160-0939	4	1	CAPACITOR-FXD 430PF +-5% 300VDC MICA	28480	0160-0939
A14C2	0180-0197	8		CAPACITOR-FXD 2.2UF +-10% 20VDC TA	56289	150D225X9020A2
A14C3	0160-3622	8		CAPACITOR-FXD .1UF +80-20% 100VDC CER	26654	2130Y5V100R104Z
A14C4	0180-0197	8		CAPACITOR-FXD 2.2UF +-10% 20VDC TA	56289	150D225X9020A2
A14C5	0160-3622	8		CAPACITOR-FXD .1UF +80-20% 100VDC CER	26654	2130Y5V100R104Z
A14C6	0140-0195	2	1	CAPACITOR-FXD 130PF +-5% 300VDC MICA	72136	DM15F131J0300WV1CR
A14C7	0140-0172	5	1	CAPACITOR-FXD 3000PF +-1% 100VDC MICA	72136	DM19F302F0100WV1CR
A14C8	0140-0198	5	5	CAPACITOR-FXD 200PF +-5% 300VDC MICA	72136	DM15F201J0300WV1CR
A14C9	0160-0940	7	1	CAPACITOR-FXD 2400PF +-5% 500VDC MICA	28480	0160-0940
A14C10	0160-3622	8		CAPACITOR-FXD .1UF +80-20% 100VDC CER	26654	2130Y5V100R104Z
A14C11	0160-3622	8		CAPACITOR-FXD .1UF +80-20% 100VDC CER	26654	2130Y5V100R104Z
A14C12	0150-0093	0	31	CAPACITOR-FXD .01UF +80-20% 100VDC CER	28480	0150-0093
A14C13	0140-0204	4		CAPACITOR-FXD 47PF +-5% 500VDC MICA	72136	DM15E470J0500WV1CR
A14C14	0160-0763	2	4	CAPACITOR-FXD 5PF +-10% 500VDC MICA	28480	0160-0763
A14C15	0160-3622	8		CAPACITOR-FXD .1UF +80-20% 100VDC CER	26654	2130Y5V100R104Z
A14C16	0140-0208	8	5	CAPACITOR-FXD 680PF +-5% 300VDC MICA	72136	DM15F681J0300WV1CR
A14C17	0140-0208	8		CAPACITOR-FXD 680PF +-5% 300VDC MICA	72136	DM15F681J0300WV1CR
A14C18	0160-3622	8		CAPACITOR-FXD .1UF +80-20% 100VDC CER	26654	2130Y5V100R104Z
A14C19	0140-0204	4		CAPACITOR-FXD 47PF +-5% 500VDC MICA	72136	DM15E470J0500WV1CR
A14C20	0160-3622	8		CAPACITOR-FXD .1UF +80-20% 100VDC CER	26654	2130Y5V100R104Z
A14C21	0160-0763	2		CAPACITOR-FXD 5PF +-10% 500VDC MICA	28480	0160-0763
A14C22	0150-0093	0		CAPACITOR-FXD .01UF +80-20% 100VDC CER	28480	0150-0093
A14C23	0140-0208	8		CAPACITOR-FXD 680PF +-5% 300VDC MICA	72136	DM15F681J0300WV1CR
A14C24	0140-0204	4		CAPACITOR-FXD 47PF +-5% 500VDC MICA	72136	DM15E470J0500WV1CR
A14C25	0160-0763	2		CAPACITOR-FXD 5PF +-10% 500VDC MICA	28480	0160-0763
A14C26	0160-3622	8		CAPACITOR-FXD .1UF +80-20% 100VDC CER	26654	2130Y5V100R104Z
A14C27	0160-3622	8		CAPACITOR-FXD .1UF +80-20% 100VDC CER	26654	2130Y5V100R104Z
A14C28	0180-0197	8		CAPACITOR-FXD 2.2UF +-10% 20VDC TA	56289	150D225X9020A2
A14C29	0160-0362	7	3	CAPACITOR-FXD 510PF +-5% 300VDC MICA	28480	0160-0362
A14C30	0160-2197	0	2	CAPACITOR-FXD 10PF +-5% 300VDC MICA	28480	0160-2197
A14C31	0160-2257	3		CAPACITOR-FXD 10PF +-5% 500VDC CER 0++60	28480	0160-2257
A14C32	0140-0204	4		CAPACITOR-FXD 47PF +-5% 500VDC MICA	72136	DM15E470J0500WV1CR
A14C33	0160-0763	2		CAPACITOR-FXD 5PF +-10% 500VDC MICA	28480	0160-0763
A14C34	0160-3014	2	1	CAPACITOR-FXD 87PF +-1% 300VDC MICA 0+70	28480	0160-3014
A14C35	0140-0218	0	1	CAPACITOR-FXD 160PF +-2% 300VDC MICA	72136	DM15F161G0300WV1CR
A14C36	0160-0938	3	3	CAPACITOR-FXD 1000PF +-5% 100VDC MICA	28480	0160-0938
A14C37	0160-0332	1	1	CAPACITOR-FXD 133PF +-1% 300VDC MICA	28480	0160-0332
A14C38	0160-3843	5	2	CAPACITOR-FXD 560PF +-1% 100VDC MICA	28480	0160-3843
A14C39	0160-3843	5		CAPACITOR-FXD 560PF +-1% 100VDC MICA	28480	0160-3843
A14C40	0150-0093	0		CAPACITOR-FXD .01UF +80-20% 100VDC CER	28480	0150-0093

See introduction to this section for ordering information  
 \*Indicates factory selected value

Table 9-3. Replaceable Parts (Cont'd)

Reference Designation	HP Part Number	C D	Qty	Description	Mfr Code	Mfr Part Number
A14C41	0160-3622	8		CAPACITOR-FXD .1UF +80-20X 100VDC CER	26654	2130Y5V100R104Z
A14C42	0160-0938	3		CAPACITOR-FXD 1000PF +-5% 100VDC MICA	28480	0160-0938
A14C43	0160-0127	2	3	CAPACITOR-FXD 1UF +-20X 25VDC CER	28480	0160-0127
A14C44	0160-3622	8		CAPACITOR-FXD .1UF +80-20X 100VDC CER	26654	2130Y5V100R104Z
A14C45	0160-3622	8		CAPACITOR-FXD .1UF +80-20X 100VDC CER	26654	2130Y5V100R104Z
A14C46	0140-0198	5		CAPACITOR-FXD 200PF +-5% 300VDC MICA	72136	DM15F201J0300WV1CR
A14C47	0140-0198	5		CAPACITOR-FXD 200PF +-5% 300VDC MICA	72136	DM15F201J0300WV1CR
A14C48	0160-3303	2	2	CAPACITOR-FXD 22PF +-,5PF 100VDC MICA	28480	0160-3303
A14C49	0160-3303	2		CAPACITOR-FXD 22PF +-,5PF 100VDC MICA	28480	0160-3303
A14C51	0160-0161	4	3	CAPACITOR-FXD .01UF +-10% 200VDC POLYE	28480	0160-0161
A14CR1	1901-0179	7	14	DIODE-SWITCHING 15V 50MA 750PS DO-7	28480	1901-0179
A14CR2	1901-0179	7		DIODE-SWITCHING 15V 50MA 750PS DO-7	28480	1901-0179
A14CR3	1901-0179	7		DIODE-SWITCHING 15V 50MA 750PS DO-7	28480	1901-0179
A14CR4	1901-0179	7		DIODE-SWITCHING 15V 50MA 750PS DO-7	28480	1901-0179
A14CR5	1901-0179	7		DIODE-SWITCHING 15V 50MA 750PS DO-7	28480	1901-0179
A14CR6	1901-0179	7		DIODE-SWITCHING 15V 50MA 750PS DO-7	28480	1901-0179
A14CR7	1901-0179	7		DIODE-SWITCHING 15V 50MA 750PS DO-7	28480	1901-0179
A14CR8	1901-0179	7		DIODE-SWITCHING 15V 50MA 750PS DO-7	28480	1901-0179
A14CR9	1901-0179	7		DIODE-SWITCHING 15V 50MA 750PS DO-7	28480	1901-0179
A14CR11	1901-0179	7		DIODE-SWITCHING 15V 50MA 750PS DO-7	28480	1901-0179
A14CR12	1901-0179	7		DIODE-SWITCHING 15V 50MA 750PS DO-7	28480	1901-0179
A14CR13	1901-0179	7		DIODE-SWITCHING 15V 50MA 750PS DO-7	28480	1901-0179
A14CR14	1901-0179	7		DIODE-SWITCHING 15V 50MA 750PS DO-7	28480	1901-0179
A14CR15	1901-0179	7		DIODE-SWITCHING 15V 50MA 750PS DO-7	28480	1901-0179
A14CR16	1902-3149	9	3	DIODE-ZNR 9.09V 5X DO-7 PD=.4W TC=+.057X	28480	1902-3149
A14CR17	1902-0692	1	1	DIODE-ZNR 6.3V 1X DO-7 PD=.4W TC=+.001X	28480	1902-0692
A14CR18	1901-0518	8		DIODE-SCHOTTKY	28480	1901-0518
A14CR19	1901-0518	8		DIODE-SCHOTTKY	28480	1901-0518
A14J1	1250-1368	7		CONNECTOR-RF SMB M PC 50-OHM	28480	1250-1368
A14J2	1250-1368	7		CONNECTOR-RF SMB M PC 50-OHM	28480	1250-1368
A14J3	1200-0462	5	1	SOCKET-IC 1-CONT STRIP DIP-SLDR	28480	1200-0462
A14L1	9140-0118	8	2	COIL-MLD 500UH 5X Q=65 .19DX,44LG-NOM	28480	9140-0118
A14L2	9140-0210	1		COIL-MLD 100UH 5X Q=50 .155DX,375LG-NOM	28480	9140-0210
A14L3	9140-0210	1		COIL-MLD 100UH 5X Q=50 .155DX,375LG-NOM	28480	9140-0210
A14L4	9140-0237	2	1	COIL-MLD 200UH 5X Q=65 .155DX,375LG-NOM	28480	9140-0237
A14L5	9140-0294	1	2	COIL-VAR 90UH-110UH Q=135 PC-MTG	28480	9140-0294
A14L6	9140-0118	8		COIL-MLD 500UH 5X Q=65 .19DX,44LG-NOM	28480	9140-0118
A14L7	9140-0294	1		COIL-VAR 90UH-110UH Q=135 PC-MTG	28480	9140-0294
A14L8	9140-0311	3	1	INDUCTOR FIXED; 100UH+-5% AT 350 KHZ	28480	9140-0311
A14L9	9140-0312	4	1	INDUCTOR FIXED; 130UH+-5% AT 350 KHZ	28480	9140-0312
A14Q1	1854-0404	0	4	TRANSISTOR NPN SI TO-18 PD=360MW	28480	1854-0404
A14Q2	1854-0404	0		TRANSISTOR NPN SI TO-18 PD=360MW	28480	1854-0404
A14Q3	1854-0071	7		TRANSISTOR NPN SI PD=300MW FT=200MHZ	28480	1854-0071
A14Q4	1854-0071	7		TRANSISTOR NPN SI PD=300MW FT=200MHZ	28480	1854-0071
A14Q5	1854-0071	7		TRANSISTOR NPN SI PD=300MW FT=200MHZ	28480	1854-0071
A14Q6	1853-0034	0	3	TRANSISTOR PNP SI TO-18 PD=360MW	28480	1853-0034
A14Q7	1853-0020	4	9	TRANSISTOR PNP SI PD=300MW FT=150MHZ	28480	1853-0020
A14Q8	1853-0020	4		TRANSISTOR PNP SI PD=300MW FT=150MHZ	28480	1853-0020
A14Q9	1854-0215	1		TRANSISTOR NPN SI PD=350MW FT=300MHZ	04713	2N3904
A14Q10	1854-0215	1		TRANSISTOR NPN SI PD=350MW FT=300MHZ	04713	2N3904
A14R2	0683-1015	7		RESISTOR 100 5% .25W FC TC=-400/+500	01121	CB1015
A14R3	0757-0430	5	2	RESISTOR 2.21K 1% .125W F TC=0+-100	24546	C4=1/8-T0-2211-F
A14R4	0683-1835	9	5	RESISTOR 18K 5% .25W FC TC=-400/+800	01121	CB1835
A14R5	0683-1235	3	6	RESISTOR 12K 5% .25W FC TC=-400/+800	01121	CB1235
A14R6	0683-1015	7		RESISTOR 100 5% .25W FC TC=-400/+500	01121	CB1015
A14R7	0683-6215	9	4	RESISTOR 620 5% .25W FC TC=-400/+600	01121	CB6215
A14R8	2100-1738	9	2	RESISTOR-TRMR 10K 10% C TOP-ADJ 1-TRN	73138	82PR10K
A14R9	0698-4485	2	3	RESISTOR 23.2K 1% .125W F TC=0+-100	24546	C4=1/8-T0-2322-F
A14R11	0698-4435	2	11	RESISTOR 2.49K 1% .125W F TC=0+-100	24546	C4=1/8-T0-2491-F
A14R12	0698-4443	2	2	RESISTOR 4.53K 1% .125W F TC=0+-100	24546	C4=1/8-T0-4531-F
A14R13	0698-4123	5	3	RESISTOR 499 1% .125W F TC=0+-100	24546	C4=1/8-T0-499R-F
A14R14	2100-1738	9		RESISTOR-TRMR 10K 10% C TOP-ADJ 1-TRN	73138	82PR10K
A14R15	0698-4485	2		RESISTOR 23.2K 1% .125W F TC=0+-100	24546	C4=1/8-T0-2322-F
A14R16	0698-4435	2		RESISTOR 2.49K 1% .125W F TC=0+-100	24546	C4=1/8-T0-2491-F
A14R17	2100-3161	6	1	RESISTOR-TRMR 20K 10% C SIDE-ADJ 17-TRN	02111	43P203
A14R18	0698-3279	0	19	RESISTOR 4.99K 1% .125W F TC=0+-100	24546	C4=1/8-T0-4991-F
A14R19	0698-3279	0		RESISTOR 4.99K 1% .125W F TC=0+-100	24546	C4=1/8-T0-4991-F
A14R21	2100-2030	6	1	RESISTOR-TRMR 20K 10% C TOP-ADJ 1-TRN	73138	82PR20K
A14R22	0683-2035	3		RESISTOR 20K 5% .25W FC TC=-400/+800	01121	CB2035
A14R23	0698-4435	2		RESISTOR 2.49K 1% .125W F TC=0+-100	24546	C4=1/8-T0-2491-F
A14R24	0698-3279	0		RESISTOR 4.99K 1% .125W F TC=0+-100	24546	C4=1/8-T0-4991-F
A14R25	0698-4469	2	2	RESISTOR 1.15K 1% .125W F TC=0+-100	24546	C4=1/8-T0-1151-F
A14R26	2100-3353	8	5	RESISTOR-TRMR 20K 10% C SIDE-ADJ 1-TRN	32997	3386X-Y48=203
A14R27	0698-3279	0		RESISTOR 4.99K 1% .125W F TC=0+-100	24546	C4=1/8-T0-4991-F
A14R28	0698-4435	2		RESISTOR 2.49K 1% .125W F TC=0+-100	24546	C4=1/8-T0-2491-F

See introduction to this section for ordering information  
 \*Indicates factory selected value

Table 9-3. Replaceable Parts (Cont'd)

Reference Designation	HP Part Number	C D	Qty	Description	Mfr Code	Mfr Part Number
A14R29	0683-5105	4		RESISTOR 51 5% .25W FC TC=-400/+500	01121	CB5105
A14R30	0683-1015	7		RESISTOR 100 5% .25W FC TC=-400/+500	01121	CB1015
A14R31	0683-1045	3		RESISTOR 100K 5% .25W FC TC=-400/+800	01121	CB1045
A14R32	0683-1835	9		RESISTOR 18K 5% .25W FC TC=-400/+800	01121	CB1835
A14R33	0683-5105	4		RESISTOR 51 5% .25W FC TC=-400/+500	01121	CB5105
A14R34	0683-5105	4		RESISTOR 51 5% .25W FC TC=-400/+500	01121	CB5105
A14R35	0683-1835	9		RESISTOR 18K 5% .25W FC TC=-400/+800	01121	CB1835
A14R36	0698-4485	2		RESISTOR 23.2K 1% .125W F TC=0+-100	24546	C4-1/8-T0-2322-F
A14R37	0683-1525	4		RESISTOR 1.5K 5% .25W FC TC=-400/+700	01121	CB1525
A14R38	0757-0472	5	1	RESISTOR 200K 1% .125W F TC=0+-100	24546	C4-1/8-T0-2003-F
A14R39	0698-3279	0		RESISTOR 4.99K 1% .125W F TC=0+-100	24546	C4-1/8-T0-4991-F
A14R40	0683-1025	9		RESISTOR 1K 5% .25W FC TC=-400/+600	01121	CB1025
A14R41	0698-6330	0	1	RESISTOR 2K 1% .125W F TC=0+-25	28480	0698-6330
A14R42	0698-5542	4		RESISTOR 20K 1% .125W F TC=0+-25	28480	0698-5542
A14R43	2100-3056	8	3	RESISTOR-TRMR 5K 10% C SIDE-ADJ 17-TRN	02111	43P502
A14R44	0698-7082	1	4	RESISTOR 100K 1% .125W F TC=0+-25	28480	0698-7082
A14R45	0698-7082	1		RESISTOR 100K 1% .125W F TC=0+-25	28480	0698-7082
A14R47	0698-7082	1		RESISTOR 100K 1% .125W F TC=0+-25	28480	0698-7082
A14R48	0698-7082	1		RESISTOR 100K 1% .125W F TC=0+-25	28480	0698-7082
A14R49	0683-1005	5		RESISTOR 10 5% .25W FC TC=-400/+500	01121	CB1005
A14R51	0757-0465	6	8	RESISTOR 100K 1% .125W F TC=0+-100	24546	C4-1/8-T0-1003-F
A14R52	0698-3275	6	2	RESISTOR 2.5K 1% .125W F TC=0+-25	28480	0698-3275
A14R53	0757-0281	4	2	RESISTOR 2.74K 1% .125W F TC=0+-100	24546	C4-1/8-T0-2741-F
A14R55	0683-1035	1		RESISTOR 10K 5% .25W FC TC=-400/+700	01121	CB1035
A14R56	0698-3439	4	1	RESISTOR 178 1% .125W F TC=0+-100	24546	C4-1/8-T0-178R-F
A14R57	2100-0568	1	1	RESISTOR-TRMR 100 10% C TOP-ADJ 1-TRN	28480	2100-0568
A14R58	0698-3492	9	2	RESISTOR 2.67K 1% .125W F TC=0+-100	91637	CMF-55-1,T-1
A14R59	0683-1015	7		RESISTOR 100 5% .25W FC TC=-400/+500	01121	CB1015
A14R61	0683-1015	7		RESISTOR 100 5% .25W FC TC=-400/+500	01121	CB1015
A14R62	0698-4453	4		RESISTOR 402 1% .125W F TC=0+-100	24546	C4-1/8-T0-402R-F
A14R63	0683-3315	4	22	RESISTOR 330 5% .25W FC TC=-400/+600	01121	CB3315
A14R64	0683-3315	4		RESISTOR 330 5% .25W FC TC=-400/+600	01121	CB3315
A14R65	0683-3325	6	25	RESISTOR 3.3K 5% .25W FC TC=-400/+700	01121	CB3325
A14R66	0683-6825	7		RESISTOR 6.8K 5% .25W FC TC=-400/+700	01121	CB6825
A14T1	9100-3262	5	2	TRANSFORMER TRANSFORMER; TOROIDAL PULSE	28480	9100-3262
A14T2	9100-3262	5		TRANSFORMER TRANSFORMER; TOROIDAL PULSE	28480	9100-3262
A14U1	1826-0109	3	4	OP AMP WB T0-99	34371	HA2-2625-80593
A14U2	1826-0109	3		OP AMP WB T0-99	34371	HA2-2625-80593
A14U3	1826-0109	3		OP AMP WB T0-99	34371	HA2-2625-80593
A14U4	1826-0109	3		OP AMP WB T0-99	34371	HA2-2625-80593
A14U5	1813-0017	5	1	LOGIC AMPLIFIER	28480	1813-0017
A14U6	1826-0043	4		OP AMP GP T0-99	01928	CA307T
A14U7	1826-0043	4		OP AMP GP T0-99	01928	CA307T
A14U8	1826-0089	4		OP AMP WB T0-99	03545	1322
				A14 MISCELLANEOUS PARTS		
	0361-0517	0	2		28480	0361-0517
	03585-00604	8	1	SHIELD, 14-1	28480	03585-00604
	03585-00605	9	1	SHIELD, 14-2	28480	03585-00605
	0403-0211	1	3	EXTR-PC BD BRN POLYC .062-BD-TMKN8	28480	0403-0211
	0403-0214	4	1	EXTR-PC BD YEL POLYC .062-BD-TMKN8	28480	0403-0214
	1251-0600	0	8	CONNECTOR-3GL CONT PIN 1.14-MM-B8C-8Z 80	28480	1251-0600
	1480-0116	8	23	PIN-GRV .062-IN-DIA .25-IN-LG STL	28480	1480-0116
	2200-0101	0	15	SCREW-MACH 4-40 .188-IN-LG PAN-HD-POZI	00000	ORDER BY DESCRIPTION
	2200-0103	2	172	SCREW-MACH 4-40 .25-IN-LG PAN-HD-POZI	00000	ORDER BY DESCRIPTION
A15	03585-66515	8	1	VIDEO FILTER & DB BOARD	28480	03585-66515
A15C1	0180-0116	1	10	CAPACITOR-FXD 6.8UF+-10% 35VDC TA	56289	150D68X9035B2
A15C2	0180-0229	7		CAPACITOR-FXD 33UF+-10% 10VDC TA	56289	150D33X9010B2
A15C3	0180-0116	1		CAPACITOR-FXD 6.8UF+-10% 35VDC TA	56289	150D68X9035B2
A15C4	0160-2199	2	8	CAPACITOR-FXD 30PF +-5% 300VDC MICA	28480	0160-2199
A15C5	0160-3405	5	1	CAPACITOR-FXD 2UF +-10% 50VDC MET-POLYC	28480	0160-3405
A15C6	0160-0166	9	2	CAPACITOR-FXD .068UF +-10% 200VDC POLYE	28480	0160-0166
A15C7	0160-0154	5	3	CAPACITOR-FXD 2200PF +-10% 200VDC POLYE	28480	0160-0154
A15CR1	1902-0777	3	5	DIODE-ZNR 1N825 6.2V 5% DO-7 PD=.4W	04713	1N825
A15CR2	1901-0044	5	6	DIODE-SWITCHING 50V 50MA 6NS	28480	1901-0044
A15J1	1250-1368	7		CONNECTOR-RF 3MB M PC 50-OHM	28480	1250-1368
A15L1	9100-1623	8	2	COIL-MLD 27UH 5% Q=60 .155DX.375LG-NOM	28480	9100-1623
A15L2	9100-3560	6		COIL-MLD 5.6UH 5% Q=45 .155DX.375LG-NOM	28480	9100-3560
A15L3	9100-1623	8		COIL-MLD 27UH 5% Q=60 .155DX.375LG-NOM	28480	9100-1623
A15O1	1855-0420	2	11	TRANSISTOR J-FET 2N4391 N-CHAN D-MODE	01295	2N4391
A15O2	1855-0420	2		TRANSISTOR J-FET 2N4391 N-CHAN D-MODE	01295	2N4391
A15O3	1855-0420	2		TRANSISTOR J-FET 2N4391 N-CHAN D-MODE	01295	2N4391
A15O4	1855-0420	2		TRANSISTOR J-FET 2N4391 N-CHAN D-MODE	01295	2N4391
A15O5	1855-0420	2		TRANSISTOR J-FET 2N4391 N-CHAN D-MODE	01295	2N4391

See introduction to this section for ordering information  
 \*Indicates factory selected value



Table 9-3. Replaceable Parts (Cont'd)

Reference Designation	HP Part Number	C D	Qty	Description	Mfr Code	Mfr Part Number
A15R1	0683-2025	1		RESISTOR 2K 5% .25W FC TC=-400/+700	01121	CB2025
A15R2	0698-4469	2		RESISTOR 1.15K 1% .125W F TC=0+/-100	24546	C4-1/8-T0-1151-F
A15R3	0698-4471	6	3	RESISTOR 7.15K 1% .125W F TC=0+/-100	24546	C4-1/8-T0-7151-F
A15R4	2100-3056	8		RESISTOR-TRMR 5K 10% C SIDE-ADJ 17-TRN	02111	43P502
A15R5	0698-4495	4	1	RESISTOR 37.4K 1% .125W F TC=0+/-100	24546	C4-1/8-T0-3742-F
A15R6	0683-1025	9		RESISTOR 1K 5% .25W FC TC=-400/+600	01121	CB1025
A15R7	2100-3109	2	2	RESISTOR-TRMR 2K 10% C SIDE-ADJ 17-TRN	02111	43P202
A15R8	0698-3450	9	1	RESISTOR 42.2K 1% .125W F TC=0+/-100	24546	C4-1/8-T0-4222-F
A15R9	2100-3154	7	3	RESISTOR-TRMR 1K 10% C SIDE-ADJ 17-TRN	02111	43P102
A15R11	0698-3274	5	3	RESISTOR 10K 1% .125W F TC=0+/-25	28480	0698-3274
A15R12	0698-6318	4	1	RESISTOR 1.5K 1% .125W F TC=0+/-25	03888	PME55-1/8-T9-1501-F
A15R13	0698-3275	6		RESISTOR 2.5K 1% .125W F TC=0+/-25	28480	0698-3275
A15R14	0683-1035	1		RESISTOR 10K 5% .25W FC TC=-400/+700	01121	CB1035
A15R15	0698-4508	0	1	RESISTOR 78.7K 1% .125W F TC=0+/-100	24546	C4-1/8-T0-7872-F
A15R16	0698-3499	6	2	RESISTOR 40.2K 1% .125W F TC=0+/-100	24546	C4-1/8-T0-4022-F
A15R17	0698-4202	1	1	RESISTOR 8.87K 1% .125W F TC=0+/-100	24546	C4-1/8-T0-8871-F
A15R18	0757-0281	4		RESISTOR 2.74K 1% .125W F TC=0+/-100	24546	C4-1/8-T0-2741-F
A15R19	0683-1035	1		RESISTOR 10K 5% .25W FC TC=-400/+700	01121	CB1035
A15R21	0683-1535	6	10	RESISTOR 15K 5% .25W FC TC=-400/+800	01121	CB1535
A15R22	0698-6360	6	1	RESISTOR 10K .1% .125W F TC=0+/-25	28480	0698-6360
A15R23	0698-6625	6	1	RESISTOR 6K .1% .125W F TC=0+/-25	28480	0698-6625
A15R24	0698-6624	5	1	RESISTOR 2K .1% .125W F TC=0+/-25	28480	0698-6624
A15R25	0698-6103	5	1	RESISTOR 1.6K .1% .125W F TC=0+/-50	28480	0698-6103
A15R26	0698-6355	9	1	RESISTOR 400 .1% .125W F TC=0+/-25	28480	0698-6355
A15R27	0757-0449	6	9	RESISTOR 20K 1% .125W F TC=0+/-100	24546	C4-1/8-T0-2002-F
A15R28	0757-0449	6		RESISTOR 20K 1% .125W F TC=0+/-100	24546	C4-1/8-T0-2002-F
A15R29	0683-1035	1		RESISTOR 10K 5% .25W FC TC=-400/+700	01121	CB1035
A15R31	0683-1005	5		RESISTOR 10 5% .25W FC TC=-400/+500	01121	CB1005
A15R32	0683-2035	3		RESISTOR 20K 5% .25W FC TC=-400/+800	01121	CB2035
A15R33	0683-2035	3		RESISTOR 20K 5% .25W FC TC=-400/+800	01121	CB2035
A15R34	0683-2035	3		RESISTOR 20K 5% .25W FC TC=-400/+800	01121	CB2035
A15R35	0683-2035	3		RESISTOR 20K 5% .25W FC TC=-400/+800	01121	CB2035
A15R36	0683-2025	1		RESISTOR 2K 5% .25W FC TC=-400/+700	01121	CB2025
A15R37	0683-2035	3		RESISTOR 20K 5% .25W FC TC=-400/+800	01121	CB2035
A15R38	0683-2035	3		RESISTOR 20K 5% .25W FC TC=-400/+800	01121	CB2035
A15TP1	0360-0124	3		CONNECTOR-SGL CONT PIN .04-IN-B8C-8Z RND	28480	0360-0124
A15TP2	0360-0124	3		CONNECTOR-SGL CONT PIN .04-IN-B8C-8Z RND	28480	0360-0124
A15TP3	0360-0124	3		CONNECTOR-SGL CONT PIN .04-IN-B8C-8Z RND	28480	0360-0124
A15TP4	0360-0124	3		CONNECTOR-SGL CONT PIN .04-IN-B8C-8Z RND	28480	0360-0124
A15TP5	0360-0124	3		CONNECTOR-SGL CONT PIN .04-IN-B8C-8Z RND	28480	0360-0124
A15TP6	0360-0124	3		CONNECTOR-SGL CONT PIN .04-IN-B8C-8Z RND	28480	0360-0124
A15U1	1820-1195	7	8	IC FF TTL LS D-TYPE POS-EDGE-TRIG COM	01295	8N74LS175N
A15U2	1820-1216	3	5	IC DCDR TTL LS 3-T0-8-LINE 3-INP	01295	8N74LS138N
A15U3	1820-1196	8	16	IC FF TTL LS D-TYPE POS-EDGE-TRIG COM	01295	8N74LS174N
A15U4	1820-1196	8		IC FF TTL LS D-TYPE POS-EDGE-TRIG COM	01295	8N74LS174N
A15U5	1820-1196	8		IC FF TTL LS D-TYPE POS-EDGE-TRIG COM	01295	8N74LS174N
A15U6	1820-1196	8		IC FF TTL LS D-TYPE POS-EDGE-TRIG COM	01295	8N74LS174N
A15U7	1820-1984	2	2	CONV 10-B=D/A 16-DIP=C	24355	AD561KD
A15U8	1826-0557	5	2	IC OP AMP GP QUAD 14-DIP-C PKG	34335	AM348D
A15U9	1826-0138	8	16	COMPARATOR GP QUAD 14-DIP=P	04713	MLM339P
A15U11	1826-0138	8		COMPARATOR GP QUAD 14-DIP=P	04713	MLM339P
A15U12	1826-0340	4	11	OP AMP BIFET TO-99	28480	1826-0340
A15U13	1826-0846	5	2	IC SWITCH ANLG QUAD 16-DIP-C PKG	27014	LF13332D
A15W1	1251-4047	7	7	CONNECTOR 3-PIN M POST TYPE	28480	1251-4047
A15W1	1258-0141	8	13	JUMPER REMOVABLE	28480	1258-0141
A15 MISCELLANEOUS PARTS						
	0403-0211	1		EXTR-PC BD BRN POLYLC .062-BD-TMKNS	28480	0403-0211
	0403-0215	5	1	EXTR-PC BD GRN POLYLC .062-BD-TMKNS	28480	0403-0215
	1480-0116	8		PIN-GRV .062-IN-DIA .25-IN-LG STL	28480	1480-0116
A16	03585-66516	9	1	A-DT REGISTER	28480	03585-66516
A16C1	0160-4401	3	2	CAPACITOR-FXD .01UF +/-10% 100VDC POLYP	28480	0160-4401
A16C2	0140-0196	3	4	CAPACITOR-FXD 150PF +/-5% 300VDC MICA	72136	DM15F151J0300WV1CR
A16C3	0160-2226	6		CAPACITOR-FXD 2200PF +/-5% 300VDC MICA	28480	0160-2226
A16C4	0140-0193	0		CAPACITOR-FXD 82PF +/-5% 300VDC MICA	72136	DM15E820J0300WV1CR
A16C5	0160-4401	3		CAPACITOR-FXD .01UF +/-10% 100VDC POLYP	28480	0160-4401
A16C6	0160-3847	9		CAPACITOR-FXD .01UF +/-100-0% 50VDC CER	28480	0160-3847
A16C7	0160-2204	0		CAPACITOR-FXD 100PF +/-5% 300VDC MICA	28480	0160-2204
A16C8	0160-2307	4	2	CAPACITOR-FXD 47PF +/-5% 300VDC MICA	28480	0160-2307
A16C9	0160-2209	5	1	CAPACITOR-FXD 360PF +/-5% 300VDC MICA	28480	0160-2209
A16C10	0160-2307	4		CAPACITOR-FXD 47PF +/-5% 300VDC MICA	28480	0160-2307

See introduction to this section for ordering information  
 \*Indicates factory selected value

Table 9-3. Replaceable Parts (Cont'd)

Reference Designation	HP Part Number	C D	Qty	Description	Mfr Code	Mfr Part Number	
A16C11	0160-3622	8	27	CAPACITOR-FXD .1UF +80-20X 100VDC CER	26654	2130Y5V100R104Z	
A16C12	0160-3622	8		CAPACITOR-FXD .1UF +80-20X 100VDC CER	26654	2130Y5V100R104Z	
A16C13	0160-3622	8		CAPACITOR-FXD .1UF +80-20X 100VDC CER	26654	2130Y5V100R104Z	
A16C14	0180-0291	3		CAPACITOR-FXD 1UF+10X 35VDC TA	56289	150D103X9035A2	
A16C15	0180-1846	6		CAPACITOR-FXD 2.2UF+10X 35VDC TA	56289	150D225X9035B2	
A16C16	0160-3622	8	15	CAPACITOR-FXD .1UF +80-20X 100VDC CER	26654	2130Y5V100R104Z	
A16C17	0160-3622	8		CAPACITOR-FXD .1UF +80-20X 100VDC CER	26654	2130Y5V100R104Z	
A16C18	0160-3622	8		CAPACITOR-FXD .1UF +80-20X 100VDC CER	26654	2130Y5V100R104Z	
A16C19	0180-0309	4		CAPACITOR-FXD 4.7UF+20X 10VDC TA	56289	150D475X0010A2	
A16C21	0160-3622	8		CAPACITOR-FXD .1UF +80-20X 100VDC CER	26654	2130Y5V100R104Z	
A16C22	0160-3622	8	6	CAPACITOR-FXD .1UF +80-20X 100VDC CER	26654	2130Y5V100R104Z	
A16C23	0160-3622	8		CAPACITOR-FXD .1UF +80-20X 100VDC CER	26654	2130Y5V100R104Z	
A16C24	0160-3622	8		CAPACITOR-FXD .1UF +80-20X 100VDC CER	26654	2130Y5V100R104Z	
A16C25	0180-0291	3		CAPACITOR-FXD 1UF+10X 35VDC TA	56289	150D103X9035A2	
A16C26	0180-1846	6		CAPACITOR-FXD 2.2UF+10X 35VDC TA	56289	150D225X9035B2	
A16CR1	1901-0044	5	5	DIODE-SWITCHING 50V 50MA 6NS	28480	1901-0044	
A16CR2	1901-0044	5		DIODE-SWITCHING 50V 50MA 6NS	28480	1901-0044	
A16CR3	1901-0044	5		DIODE-SWITCHING 50V 50MA 6NS	28480	1901-0044	
A16CR4	1901-0044	5		DIODE-SWITCHING 50V 50MA 6NS	28480	1901-0044	
A16CR5	1901-0044	5		DIODE-SWITCHING 50V 50MA 6NS	28480	1901-0044	
A16CR6	1901-0028	5	2	DIODE-PWR RECT 400V 750MA DO-29	28480	1901-0028	
A16CR7	1901-0028	5		DIODE-PWR RECT 400V 750MA DO-29	28480	1901-0028	
A16L1	9140-0137	1	1	COIL-MLD 1MH 5X Q=60 .19DX,44LG-NOM	28480	9140-0137	
A16L2	9100-3912	2	1	COIL-MLD 15UH 5X Q=65 .155DX,375LG-NOM	28480	9100-3912	
A16Q1	1854-0023	9	0	TRANSISTOR NPN SI TO-18 PD=360MW	28480	1854-0023	
A16Q2	1855-0410	0	2	TRANSISTOR J-FET N-CHAN D-MODE TO-18 SI	28480	1855-0410	
A16R1	0698-3242	7	1	RESISTOR 357 1X .125W F TC=0+-100	24546	C4-1/8-T0-357R-F	
A16R2	0683-2025	5		RESISTOR 2K 5X .25W FC TC=-400/+700	01121	CB2025	
A16R3	0698-4488	1		RESISTOR 26.7K 1X .125W F TC=0+-100	24546	C4-1/8-T0-2672-F	
A16R4	0698-4459	0		RESISTOR 634 1X .125W F TC=0+-100	24546	C4-1/8-T0-634R-F	
A16R5	0683-2025	1		RESISTOR 2K 5X .25W FC TC=-400/+700	01121	CB2025	
A16R6	0683-3045	7	2	RESISTOR 300K 5X .25W FC TC=-800/+900	01121	CB3045	
A16R7	0683-3045	7		RESISTOR 300K 5X .25W FC TC=-800/+900	01121	CB3045	
A16R8	0683-1035	1		RESISTOR 10K 5X .25W FC TC=-400/+700	01121	CB1035	
A16R9	0683-2235	5		RESISTOR 22K 5X .25W FC TC=-400/+800	01121	CB2235	
A16R11	0683-2045	5		RESISTOR 200K 5X .25W FC TC=-800/+900	01121	CB2045	
A16R12	0683-1035	1	3	RESISTOR 10K 5X .25W FC TC=-400/+700	01121	CB1035	
A16R13	0683-5125	8		RESISTOR 5.1K 5X .25W FC TC=-400/+700	01121	CB5125	
A16R14	0683-2035	3		RESISTOR 20K 5X .25W FC TC=-400/+800	01121	CB2035	
A16R15	0683-2045	5		RESISTOR 200K 5X .25W FC TC=-800/+900	01121	CB2045	
A16R16	0683-5125	8		RESISTOR 5.1K 5X .25W FC TC=-400/+700	01121	CB5125	
A16R17	0698-3274	5		RESISTOR 10K 1X .125W F TC=0+-25	28480	0698-3274	
A16R18	0698-3274	5	RESISTOR 10K 1X .125W F TC=0+-25	28480	0698-3274		
A16R19	2100-3154	7	2	RESISTOR-TRMR 1K 10X C SIDE-ADJ 17-TRN	02111	43P102	
A16R20	0683-1025	9		RESISTOR 1K 5X .25W FC TC=-400/+600	01121	CB1025	
A16R21	2100-3054	6		RESISTOR-TRMR 50K 10X C SIDE-ADJ 17-TRN	02111	43P503	
A16R22	0757-0476	9	2	RESISTOR 301K 1X .125W F TC=0+-100	24546	C4-1/8-T0-3013-F	
A16R23	0698-4443	2		RESISTOR 4.53K 1X .125W F TC=0+-100	24546	C4-1/8-T0-4531-F	
A16R24	0683-2025	1		RESISTOR 2K 5X .25W FC TC=-400/+700	01121	CB2025	
A16R25	0683-1525	4		RESISTOR 1.5K 5X .25W FC TC=-400/+700	01121	CB1525	
A16R26	0683-1015	7		RESISTOR 100 5X .25W FC TC=-400/+500	01121	CB1015	
A16R27	0683-1015	7	7	RESISTOR 100 5X .25W FC TC=-400/+500	01121	CB1015	
A16R28	0683-1015	7		RESISTOR 100 5X .25W FC TC=-400/+500	01121	CB1015	
A16R29	0683-1015	7		RESISTOR 100 5X .25W FC TC=-400/+500	01121	CB1015	
A16R31	0683-1015	7		RESISTOR 100 5X .25W FC TC=-400/+500	01121	CB1015	
A16R32	0683-1015	7		RESISTOR 100 5X .25W FC TC=-400/+500	01121	CB1015	
A16R33	0683-1015	7		RESISTOR 100 5X .25W FC TC=-400/+500	01121	CB1015	
A16TP1	0360-0124	3		3	CONNECTOR-SGL CONT PIN .04-IN-BSC-SZ RND	28480	0360-0124
A16TP2	0360-0124	3			CONNECTOR-SGL CONT PIN .04-IN-BSC-SZ RND	28480	0360-0124
A16TP3	0360-0124	3			CONNECTOR-SGL CONT PIN .04-IN-BSC-SZ RND	28480	0360-0124
A16TP4	0360-0124	3			CONNECTOR-SGL CONT PIN .04-IN-BSC-SZ RND	28480	0360-0124
A16TP5	0360-0124	3	CONNECTOR-SGL CONT PIN .04-IN-BSC-SZ RND		28480	0360-0124	
A16TP6	0360-0124	3	3	CONNECTOR-SGL CONT PIN .04-IN-BSC-SZ RND	28480	0360-0124	
A16TP7	0360-0124	3		CONNECTOR-SGL CONT PIN .04-IN-BSC-SZ RND	28480	0360-0124	
A16TP8	0360-0124	3		CONNECTOR-SGL CONT PIN .04-IN-BSC-SZ RND	28480	0360-0124	
A16U1	1826-0185	5	5	OP AMP SPCL TO-99	01928	CA3080	
A16U2	1826-0340	4		OP AMP BIFET TO-99	28480	1826-0340	
A16U3	1826-0138	8		COMPARATOR GP QUAD 14-DIP-P	04713	MLM339P	
A16U4	1826-0043	4		OP AMP GP TO-99	01928	CA3077	
A16U5	1820-1425	6		IC SCHMITT-TRIG TTL LS NAND QUAD 2-INP	01295	SN74LS132N	
A16U6	1820-1984	2	3	CONV 10-B/D/A 16-DIP-C	24355	AD561KD	
A16U7	1826-0026	3		COMPARATOR PRNC TO-99	04713	MLM311G	
A16U8	1820-1978	4		IC RGRTR TTL L 12-BIT	34335	AM25L04PC	
A16U9	1820-1425	6		IC SCHMITT-TRIG TTL LS NAND QUAD 2-INP	01295	SN74LS132N	
A16U11	1826-0402	9		IC V RGLTR TO-3	80103	LAS-1515	
A16U12	1826-0403	0		IC V RGLTR-FXD-NEG 14.25/15.75V TO-3 PKG	80103	LAS-1815	

See introduction to this section for ordering information  
 \*Indicates factory selected value

**Table 9-3. Replaceable Parts (Cont'd)**

Reference Designation	HP Part Number	C D	Qty	Description	Mfr Code	Mfr Part Number
				A16 MISCELLANEOUS PARTS		
	0403-0211	1		EXTR-PC BD BRN POLYC .062-BD-THKNS	28480	0403-0211
	0403-0216	6		EXTR-PC BD BLU POLYC .062-BD-THKNS	28480	0403-0216
	0590-1054	7		THREADED INSERT-NUT 6-32 .065-IN-LG SST	46384	KFS2-632
	2360-0115	4		SCREW-MACH 6-32 .312-IN-LG PAN-HD-POZI	00000	ANY SATISFACTORY SOURCE
	1480-0116	8		PIN-GRV .062-IN-DIA .25-IN-LG STL	73957	GP24-063X250-12

See introduction to this section for ordering information  
 \*Indicates factory selected value

**Table 9-3. Replaceable Parts (Cont'd)**

Reference Designation	HP Part Number	C D	Qty	Description	Mfr Code	Mfr Part Number
A17	03585-66517	4	1	FILTER BOARD NO. 1	28480	03585-66517
A17C1	0180-0116	1	2	CAPACITOR-FXD 6.8UF+-10% 35VDC TA	56289	150D685X9035B2
A17C2	0180-0116	1		CAPACITOR-FXD 6.8UF+-10% 35VDC TA	56289	150D685X9035B2
A17C3	0180-0229	7	3	CAPACITOR-FXD 33UF+-10% 10VDC TA	56289	150D336X9010B2
A17C4	0150-0121	5		CAPACITOR-FXD .1UF +80-20% 50VDC CER	72982	8121-N065-651-0104Z
A17C5	0160-3622	8	15	CAPACITOR-FXD .1UF +80-20% 100VDC CER	26654	2130Y5V100R104Z
A17C6	0160-4791	4	1	CAPACITOR-FXD 10PF +-5% 100VDC CER 0+--30	16299	CAC02COG100J100A
A17C7	0160-4571	8		CAPACITOR-FXD .1UF +80-20% 50VDC CER	28480	0160-4571
A17C8	0160-3622	8		CAPACITOR-FXD .1UF +80-20% 100VDC CER	26654	2130Y5V100R104Z
A17C9	0140-0184	9	5	CAPACITOR-FXD 8200PF +-1% 100VDC MICA	72136	DM20F822F0100WV1
A17C10	0160-4571	8		CAPACITOR-FXD .1UF +80-20% 50VDC CER	28480	0160-4571
A17C11	0150-0121	5		CAPACITOR-FXD .1UF +80-20% 50VDC CER	72982	8121-N065-651-0104Z
A17C12	0160-4571	8		CAPACITOR-FXD .1UF +80-20% 50VDC CER	28480	0160-4571
A17C13	0140-0184	9		CAPACITOR-FXD 8200PF +-1% 100VDC MICA	72136	DM20F822F0100WV1CR
A17C14	0160-4571	8		CAPACITOR-FXD .1UF +80-20% 50VDC CER	28480	0160-4571
A17C15	0160-4571	8		CAPACITOR-FXD .1UF +80-20% 50VDC CER	28480	0160-4571
A17C16	0160-4571	8		CAPACITOR-FXD .1UF +80-20% 50VDC CER	28480	0160-4571
A17C17	0160-4571	8		CAPACITOR-FXD .1UF +80-20% 50VDC CER	16299	CAC03Z5U104Z050A
A17C18	0160-4571	8		CAPACITOR-FXD .1UF +80-20% 50VDC CER	28480	0160-4571
A17C19	0160-4571	8		CAPACITOR-FXD .1UF +80-20% 50VDC CER	28480	0160-4571
A17C20	0150-0121	5		CAPACITOR-FXD .1UF +80-20% 50VDC CER	72982	8121-N065-651-0104Z
A17C21	0160-4571	8		CAPACITOR-FXD .1UF +80-20% 50VDC CER	28480	0160-4571
A17C22	0160-4571	8		CAPACITOR-FXD .1UF +80-20% 50VDC CER	28480	0160-4571
A17C23	0160-4571	8		CAPACITOR-FXD .1UF +80-20% 50VDC CER	28480	0160-4571
A17C24	0160-4571	8		CAPACITOR-FXD .1UF +80-20% 50VDC CER	28480	0160-4571
A17C25	0160-4571	8		CAPACITOR-FXD .1UF +80-20% 50VDC CER	28480	0160-4571
A17C26	0140-0191	3	2	CAPACITOR-FXD 56PF +-5% 300VDC MICA	04522	DM15E560J0300WV1CR
A17C27	0121-0180	9	2	CAPACITOR-V TRMR-CER 15-60PF 200V PC-MTG	01468	304324 15/16PF N1500
A17C28*	0160-2202	8		CAPACITOR-FXD 75PF +-5% 300VDC MICA	08113	HP15750J3C1
A17C28*	0160-2204	0		CAPACITOR-FXD 100PF +-5% 300VDC MICA	08113	HP15101J3C1
A17C28*	0160-2205	1		CAPACITOR-FXD 120PF +-5% 300VDC MICA	08113	HP15121J3C1
A17C29	0121-0059	7	1	CAPACITOR-V TRMR-CER 2-8PF 350V PC-MTG	01468	304324 2/8PF NPO
A17C30	0160-4571	8		CAPACITOR-FXD .1UF +80-20% 50VDC CER	28480	0160-4571
A17C31	0160-4571	8		CAPACITOR-FXD .1UF +80-20% 50VDC CER	28480	0160-4571
A17C32	0160-4571	8		CAPACITOR-FXD .1UF +80-20% 50VDC CER	28480	0160-4571
A17C33	0160-4571	8		CAPACITOR-FXD .1UF +80-20% 50VDC CER	28480	0160-4571
A17C34	0160-4571	8		CAPACITOR-FXD .1UF +80-20% 50VDC CER	28480	0160-4571
A17C35	0160-4571	8		CAPACITOR-FXD .1UF +80-20% 50VDC CER	28480	0160-4571
A17C36	0140-0191	8		CAPACITOR-FXD 56PF +-5% 300VDC MICA	04522	DM15E560J0300WV1CR
A17C37	0121-0180	5		CAPACITOR-V TRMR-CER 15-60PF 200V PC-MTG	01468	304324 15/16PF N1500
A17C38*	0160-2202	8		CAPACITOR-FXD 75PF +-5% 300VDC MICA	08113	HP15750J3C1
A17C38*	0160-2204	0		CAPACITOR-FXD 100PF +-5% 300VDC MICA	08113	HP15101J3C1
A17C38*	0160-2205	1		CAPACITOR-FXD 120PF +-5% 300VDC MICA	08113	HP15121J3C1
A17C39	0121-0059	7	1	CAPACITOR-V TRMR-CER 2-8PF 350V PC-MTG	01468	304324 2/8PF NPO
A17C40	0160-4571	8		CAPACITOR-FXD .1UF +80-20% 50VDC CER	28480	0160-4571
A17C41	0160-4571	8		CAPACITOR-FXD .1UF +80-20% 50VDC CER	28480	0160-4571
A17C42	0160-3622	8		CAPACITOR-FXD .1UF +80-20% 100VDC CER	26654	2130Y5V100R104Z
A17C43	0150-0121	5		CAPACITOR-FXD .1UF +80-20% 50VDC CER	72982	8121-N065-651-0104Z
A17C44	0140-0198	5	2	CAPACITOR-FXD 200PF +-5% 300VDC MICA	72136	DM15F201J0300WV1CR
A17C45	0160-4571	8		CAPACITOR-FXD .1UF +80-20% 50VDC CER	28480	0160-4571
A17C46	0160-4571	8		CAPACITOR-FXD .1UF +80-20% 50VDC CER	28480	0160-4571
A17C47	0160-3622	8		CAPACITOR-FXD .1UF +80-20% 100VDC CER	26654	2130Y5V100R104Z
A17C48	0160-4571	8		CAPACITOR-FXD .1UF +80-20% 50VDC CER	28480	0160-4571
A17C49	0150-0121	5		CAPACITOR-FXD .1UF +80-20% 50VDC CER	72982	8121-N065-651-0104Z
A17C50	0160-3622	8		CAPACITOR-FXD .1UF +80-20% 100VDC CER	26654	2130Y5V100R104Z
A17C51	0160-3622	8		CAPACITOR-FXD .1UF +80-20% 100VDC CER	26654	2130Y5V100R104Z
A17C52	0160-3622	8		CAPACITOR-FXD .1UF +80-20% 100VDC CER	26654	2130Y5V100R104Z
A17C53	0160-4571	8		CAPACITOR-FXD .1UF +80-20% 50VDC CER	16299	CAC03Z5U104Z050A
A17C54	0160-3622	8		CAPACITOR-FXD .1UF +80-20% 100VDC CER	26654	2130Y5V100R104Z
A17C55	0601-3622	8		CAPACITOR-FXD .1UF +80-20% 100VDC CER	26654	2130Y5V100R104Z
A17C56	0160-3622	8		CAPACITOR-FXD .1UF +80-20% 100VDC CER	26654	2130Y5V100R104Z
A17C57	0160-3622	8		CAPACITOR-FXD .1UF +80-20% 100VDC CER	26654	2130Y5V100R104Z
A17C58	0160-3622	8		CAPACITOR-FXD .1UF +80-20% 100VDC CER	26654	2130Y5V100R104Z
A17C59	0160-3622	8		CAPACITOR-FXD .1UF +80-20% 100VDC CER	26654	2130Y5V100R104Z
A17C60	0160-4571	8		CAPACITOR-FXD .1UF +80-20% 50VDC CER	16299	CAC03Z5U104Z050A
A17C61	0160-4571	8		CAPACITOR-FXD .1UF +80-20% 50VDC CER	16299	CAC03Z5U104Z050A
A17C62	0160-4571	8		CAPACITOR-FXD .1UF +80-20% 50VDC CER	16299	CAC03Z5U104Z050A
A17C63	0160-4571	8		CAPACITOR-FXD .1UF +80-20% 50VDC CER	16299	CAC03Z5U104Z050A
A27C64	0160-4571	8		CAPACITOR-FXD .1UF +80-20% 50VDC CER	16299	CAC03Z5U104Z050A
A27C65	0160-4571	8		CAPACITOR-FXD .1UF +80-20% 50VDC CER	16299	CAC03Z5U104Z050A
A27C66	0160-4571	8		CAPACITOR-FXD .1UF +80-20% 50VDC CER	16299	CAC03Z5U104Z050A
A17C67	0160-3622	8		CAPACITOR-FXD .1UF +80-20% 100VDC CER	26654	2130Y5V100R104Z
A17C68	0160-3622	8		CAPACITOR-FXD .1UF +80-20% 100VDC CER	26654	2130Y5V100R104Z
A17C69	0160-4571	8		CAPACITOR-FXD .1UF +80-20% 50VDC CER	16299	CAC03Z5U104Z050A
A17C70	0121-0105	2	2	CAPACITOR-V TRMR-CER 9-35PF 200V PC-MTG	72982	538-006D 9-35

See introduction to this section for ordering information  
 \*Indicates factory selected value

Table 9-3. Replaceable Parts (Cont'd)

Reference Designation	HP Part Number	C D	Qty	Description	Mfr Code	Mfr Part Number
A17C71	0121-0105	4		CAPACITOR-V TRMR-CER 9-35PF 200V PC-MTG	72982	538-006D 9-35
A17C72	0160-4571	8		CAPACITOR-FXD .10UF +80-20% 50VDC CER	16299	CAC03Z5U104Z050A
A17C73	0160-2940	1	1	CAPACITOR-FXD 470PF +-5% 300VDC MICA	08113	HP15471J3C1
A17CR1	1901-0376	6	33	DIODE-GEN PRP 35V 50MA DO-35	28480	1901-0376
A17CR2	1901-0376	6		DIODE-GEN PRP 35V 50MA DO-35	28480	1901-0376
A17CR3	1901-0376	6		DIODE-GEN PRP 35V 50MA DO-35	28480	1901-0376
A17CR4	1901-0376	6		DIODE-GEN PRP 35V 50MA DO-35	28480	1901-0376
A17CR5	1901-0376	6		DIODE-GEN PRP 35V 50MA DO-35	28480	1901-0376
A17CR6	1901-0376	6		DIODE-GEN PRP 35V 50MA DO-35	28480	1901-0376
A17CR7	1901-0376	6		DIODE-GEN PRP 35V 50MA DO-35	28480	1901-0376
A17CR8	1901-0376	6		DIODE-GEN PRP 35V 50MA DO-35	28480	1901-0376
A17CR9	1901-0376	6		DIODE-GEN PRP 35V 50MA DO-35	28480	1901-0376
A17CR10	1901-0376	6		DIODE-GEN PRP 35V 50MA DO-35	28480	1901-0376
A17CR11	1901-0376	6		DIODE-GEN PRP 35V 50MA DO-35	28480	1901-0376
A17CR12	1901-0376	6		DIODE-GEN PRP 35V 50MA DO-35	28480	1901-0376
A17CR13	1902-3149	9	3	DIODE-ZNR 9.09V 5% DO-7 PD=.4W TC=+.057%	28480	1902-3149
A17CR14	1901-0518	8	6	DIODE-SCHOTTKY	28480	1901-0518
A17CR15	1901-0518	8		DIODE-SCHOTTKY	28480	1901-0518
A17J1	1250-1368	7	1	CONNECTOR-RF SMB M PC 50-OHM	28480	1250-1368
A17J2	1251-4822	6	10	CONNECTOR 3-PIN M POST TYPE	28480	1251-4822
A17J3	1258-0141	8		CONNECTOR 3-PIN M POST TYPE	28480	1258-0141
A17J4	1251-4822	6		CONNECTOR 3-PIN M POST TYPE	28480	1251-4822
A17J5	1258-0141	8		CONNECTOR 3-PIN M POST TYPE	28480	1258-0141
A17L1	9140-0210	1	2	COIL-MLD 100UH 5% Q=50 .155DX.375LG-NOM	28480	9140-0210
A17L2	9140-0210	1		COIL-MLD 100UH 5% Q=50 .155DX.375LG-NOM	28480	9140-0210
A17L3	9100-1618	1	1	COIL-MLD 5.6UH 10% Q=45 .155DX.375LG-NOM	28480	9100-1618
A17L4	9140-0289	4	5	COIL-VAR 23UH=27UH Q=200 PC-MTG	28480	9140-0289
A17L5	9140-0289	4		COIL-VAR 23UH=27UH Q=200 PC-MTG	28480	9140-0289
A17L6	9140-0446	5	1	INDUCTOR 2MH 10% .913DX .73LG Q=350	28480	9140-0446
A17L7	9140-0447	6		INDUCTOR 2MH 10% .614DX .531LG Q=250	18480	9140-0447
A17L8	9100-0543	9	2	COIL-VAR 900UH=1.1MH Q=112 PC-MTG	28480	9100-0543
A17Q1	1854-0215	1	3	TRANSISTOR NPN SI PD=350MW FT=300MHZ	04713	2N3904
A17Q2	1853-0089	5	1	TRANSISTOR PNP 2N4917 SI PD=200MW	07263	2N4917
A17Q3	1854-0351	6	1	TRANSISTOR NPN SI TO-18 PD=360MW	28480	1854-0351
A17Q4	1854-0071	7	17	TRANSISTOR NPN SI PD=300MW FT=200MHZ	28480	1854-0071
A17Q5	1854-0071	7		TRANSISTOR NPN SI PD=300MW FT=200MHZ	28480	1854-0071
A17Q6	1854-0071	7		TRANSISTOR NPN SI PD=300MW FT=200MHZ	28480	1854-0071
A17Q7	1853-0010	2	3	TRANSISTOR PNP SI TO-18 PD=360MW	28480	1853-0010
A17Q8	1854-0215	1		TRANSISTOR NPN SI PD=350MW FT=300MHZ	04713	2N3904
A17Q9	1854-0215	1		TRANSISTOR NPN SI PD=350MW FT=300MHZ	04713	2N3904
A17Q10	1854-0071	7		TRANSISTOR NPN SI PD=300MW FT=200MHZ	28480	1854-0071
A17R1	0683-3925	2	1	RESISTOR 3.9K 5% .25W FC TC=400/+700	01121	CB3925
A17R2	0683-2205	9	1	RESISTOR 22 5% .25W FC TC=400/+500	01121	CB2205
A17R3	0683-1525	4	2	RESISTOR 1.5K 5% .25W FC TC=400/+700	01121	CB1525
A17R4	0683-2215	1	1	RESISTOR 220 5% .25W FC TC=400/+600	01121	CB2215
A17R5	0683-1015	7	71	RESISTOR 100 5% .25W FC TC=400/+500	01121	CB1015
A17R6	0683-1015	7		RESISTOR 100 5% .25W FC TC=400/+500	01121	CB1015
A17R7	0683-2035	3	15	RESISTOR 20K 5% .25W FC TC=400/+800	01121	CB2035
A17R8	0683-2035	3		RESISTOR 20K 5% .25W FC TC=400/+800	01121	CB2035
A17R9	0698-3518	0	5	RESISTOR 7.32K 1% .125W F TC=0+-100	24546	C4=1/8-T0-7321-F
A17R10	0757-0279	0	3	RESISTOR 3.16K 1% .125W F TC=0+-100	24546	C4=1/8-T0-3161-F
A17R11	0698-4451	2	3	RESISTOR 340 1% .125W F TC=0+-100	24546	C4=1/8-T0-340R-F
A17R12	2100-2497	9	5	RESISTOR-TRMR 2K 10% C TOP=ADJ 1-TRN	73138	82PR2K
A17R13	0757-0283	6		RESISTOR 2K 1% .125W F TC=0+-100	24546	C4=1/8-T0=2001-F
A17R14	0683-1015	7		RESISTOR 100 5% .25W FC TC=400/+500	01121	CB1015
A17R15	0683-3325	6	5	RESISTOR 3.3K 5% .25W FC TC=400/+700	01121	CB3325
A17R16	0683-1015	7		RESISTOR 100 5% .25W FC TC=400/+500	01121	CB1015
A17R17	0698-3518	0		RESISTOR 7.32K 1% .125W F TC=0+-100	24546	C4=1/8-T0=7321-F
A17R18	0698-3496	3	2	RESISTOR 3.57K 1% .125W F TC=0+-100	24546	C4=1/8-T0=357R-F
A17R19	0757-0416	7		RESISTOR 511 1% .125W F TC=0+-100	24546	C4=1/8-T0=511R-F
A17R20	2100-2497	9		RESISTOR-TRMR 2K 10% C TOP=ADJ 1-TRN	73138	82PR2K
A17R21	0757-0283	6		RESISTOR 2K 1% .125W F TC=0+-100	24546	C4=1/8-T0=2001-F
A17R22	0683-1015	7		RESISTOR 100 5% .25W FC TC=400/+500	01121	CB1015
A17R23	0683-3325	6		RESISTOR 3.3K 5% .25W FC TC=400/+700	01121	CB3325
A17R24	0683-2035	3		RESISTOR 20K 5% .25W FC TC=400/+800	01121	CB2035
A17R25	0757-0442	9	1	RESISTOR 10K 1% .125W F TC=0+-100	91637	CMF-55-1, T-1
A17R26	2100-3274	2	1	RESISTOR-TRMP 10K 10% C SIDE=ADJ 1-TRN	28480	2100-3274
A17R27	0757-0200	7	3	RESISTOR 5.62K 1% .125W F TC=0+-100	24546	C4=1/8-T0=5621-F
A17R28	2100-3207	1	2	RESISTOR-TRMR 5K 10% C SIDE=ADJ 1-TRN	28480	2100-3207
A17R29	0757-0283	6		RESISTOR 2K 1% .125W F TC=0+-100	24546	C4=1/8-T0=2001-F
A17R30	2100-3273	1	3	RESISTOR-TRMR 2K 10% C SIDE=ADJ 1-TRN	28480	2100-3273

See introduction to this section for ordering information  
 \*Indicates factory selected value

**Table 9-3. Replaceable Parts (Cont'd)**

Reference Designation	HP Part Number	C D	Qty	Description	Mfr Code	Mfr Part Number
A17R31	0757-0428	1	2	RESISTOR 1.62K 1% .125W F TC=0+-100	24546	C4-1/8-TO-1621-F
A17R32	2100-3273	1		RESISTOR-TRMR 2K 10% C SIDE-ADJ 1-TRN	28480	2100-3273
A17R33	0698-4496	2	1	RESISTOR 1.07K .125W F TC=0+-100	03292	C4-1/8-TO-1071-F
A17R34	2100-3273	1		RESISTOR-TRMR 2K 10% C SIDE-ADJ 1-TRN	28480	2100-3273
A17R35	0683-1015	7	39	RESISTOR 100 5% .25W FC TC=-400/+500	19701	(CR-25) 1-4-5P-100E
A17R36	0683-1015	7		RESISTOR 100 5% .25W FC TC=-400/+500	01121	CB1015
A17R37	0683-1015	7		RESISTOR 100 5% .25W FC TC=-400/+500	01121	CB1015
A17R38	0683-1015	7		RESISTOR 100 5% .25W FC TC=-400/+500	01121	CB1015
A17R39	0683-2225	3	1	RESISTOR 2.2K 5% .25W FC TC=-400/+700	01121	CB2225
A17R40	0683-3315	4	1	RESISTOR 330 5% .25W FC TC=-400/+600	01121	CB3315
A17R41	0683-1015	7		RESISTOR 100 5% .25W FC TC=-400/+500	01121	CB1015
A17R42	0683-3025	3	6	RESISTOR 3K 5% .25W FC TC=-400/+700	01121	CB3025
A17R43	0683-1255	3	4	RESISTOR 12K 5% .25W FC TC=-400/+800	01121	CB1255
A17R44	0698-4482	9	1	RESISTOR 17.4K 1% .125W F TC=0+-100	01992	PME55-1/8-TO-1742-F
A17R45	0698-4473	8	1	RESISTOR 8.06K 1% .125W F TC=0+-100	24546	C4-1/81TO18061-F
A17R46	0698-4428	3	1	RESISTOR 1.69K 1% .125W F TC=0+-100	03292	C4-1/8-TO-1691-F
A17R47	0698-3178	8	1	RESISTOR 487 1% .125W F TC=0+-100	03292	C4-1/8-TO-487R-F
A17R48	0698-3447	4	2	RESISTOR 422 1% .125W F TC=0+-100	91637	CMF-55-1,T-1
A17R49	0683-2025	1		RESISTOR 2K 5% .25W FC TC=-400/+700	01121	CB2025
A17R50	0683-2025	1		RESISTOR 2K 5% .25W FC TC=-400/+700	01121	CB2025
A17R51	0683-2025	1		RESISTOR 2K 5% .25W FC TC=-400/+700	01121	CB2025
A17R52	0683-2025	1		RESISTOR 2K 5% .25W FC TC=-400/+700	01121	CB2025
A17R53	0683-1045	3	15	RESISTOR 100K 5% .25W FC TC=-400/+800	01121	CB1045
A17R54	0683-1045	3		RESISTOR 100K 5% .25W FC TC=-400/+800	01121	CB1045
A17R55	0683-1045	3		RESISTOR 100K 5% .25W FC TC=-400/+800	01121	CB1045
A17R56	0683-1045	3		RESISTOR 100K 5% .25W FC TC=-400/+800	01121	CB1045
A17R57	0683-1225	1	2	RESISTOR 1.2K 5% .25W FC TC=-400/+700	01121	CB1225
A17R58	0683-1015	7		RESISTOR 100 5% .25W FC TC=-400/+500	01121	CB1015
A17R59	0683-3025	3		RESISTOR 3K 5% .25W FC TC=-400/+700	01121	CB3025
A17R60	0683-1235	3		RESISTOR 12K 5% .25W FC TC=-400/+800	01121	CB1235
A17R61	0698-4506	8		RESISTOR 73.2K 1% .125W F TC=0+-100	03292	C4-1/8-TO-7322-F
A17R62	0698-4492	1	4	RESISTOR 32.4 1% .125W F TC=0+-100	24546	C4-1/8-TO-3242-F
A17R63	0698-4471	6	2	RESISTOR 7.15K 1% .125W F TC=0+-100	03292	C4-1/8-TO-7151-F
A17R64	0698-4431	8	1	RESISTOR 2.05K 1% .125W F TC=0+-100	03292	C4-1/8-TO-2051-F
A17R65	0698-4453	4		RESISTOR 402 1% .125W F TC=0+-100	24546	CR-1/8-TO-402R-F
A17R66	0683-2025	1		RESISTOR 2K 5% .25W FC TC=-400/+700	01121	CB2025
A17R67	0683-2025	1		RESISTOR 2K 5% .25W FC TC=-400/+700	01121	CB2025
A17R68	0683-2025	1		RESISTOR 2K 5% .25W FC TC=-400/+700	01121	CB2025
A17R69	0683-2025	1		RESISTOR 2K 5% .25W FC TC=-400/+700	01121	CB2025
A17R70	0683-2025	1		RESISTOR 2K 5% .25W FC TC=-400/+700	01121	CB2025
A17R71	0683-7525	6	2	RESISTOR 7.5K 5% .25W FC TC=-400/+700	01121	CB7525
A17R72	0683-4705	8	9	RESISTOR 47 5% .25 W TC=-400/+500	01121	CB4705
A17R73	0683-1015	7		RESISTOR 100 5% .25W FC TC=-400/+500	01121	CB1015
A17R74	0683-1015	7		RESISTOR 100 5% .25W FC TC=-400/+500	01121	CB1015
A17R75	0683-1015	7		RESISTOR 100 5% .25W FC TC=-400/+500	01121	CB1015
A17R76	0698-4491	7	1	RESISTOR 30.9K 1% .125W F TC=0+-100	03292	C4-1/8-TO-3092-F
A17R77	0757-0200	7		RESISTOR 5.62K 1% .125W F TC=0+-100	24546	C4-1/8-TO-5621-F
A17R78	0757-0200	7		RESISTOR 5.62K 1% .125W F TC=0+-100	24546	C4-1/8-TO-5621-F
A17R79	0698-3382	6	1	RESISTOR 5.49K 1% .125W F TC=0+-100	24546	C4-1/8-TO-5491-F
A17R80	0683-1045	3		RESISTOR 100K 5% .25W FC TC=-400/+800	01121	CB1045

See introduction to this section for ordering information  
 \*Indicates factory selected value

Table 9-3. Replaceable Parts (Cont'd)

Reference Designation	HP Part Number	C D	Qty	Description	Mfr Code	Mfr Part Number
A17R81	0683-1015	7		RESISTOR 100 5% .25W FC TC=400/+500	01121	CB1015
A17R82	0683-5125	8	5	RESISTOR 5.1K 5% .25W FC TC=400/+700	01121	CB5125
A17R84	0683-2025	1		RESISTOR 2K 5% .25W FC TC=400/+700	01121	CB2025
A17R85	0683-1035	1	5	RESISTOR 10K 5% .25W FC TC=400/+700	01121	CB1035
A17R86	0683-1025	9		RESISTOR 1K 5% .25W FC TC=400/+600	01121	CB1025
A17R87	0683-1025	9		RESISTOR 1K 5% .25W FC TC=400/+600	01121	CB1025
A17R88	0683-1025	9		RESISTOR 1K 5% .25W FC TC=400/+600	01121	CB1025
A17R89	0683-1025	9		RESISTOR 1K 5% .25W FC TC=400/+600	01121	CB1025
A17R90	0683-1025	9		RESISTOR 1K 5% .25W FC TC=400/+600	01121	CB1025
A17R91	0683-1025	9		RESISTOR 1K 5% .25W FC TC=400/+600	01121	CB1025
A17R92	0683-1025	9		RESISTOR 1K 5% .25W FC TC=400/+600	01121	CB1025
A17R93	0683-1025	9		RESISTOR 1K 5% .25W FC TC=400/+600	01121	CB1025
A17R94	0683-1025	9		RESISTOR 1K 5% .25W FC TC=400/+600	01121	CB1025
A17R95	0683-4705	8		RESISTOR 47 5% .25W FC TC=400/+500	01121	CB4705
A17R96*	0698-3262	1	5	RESISTOR 40.2 1% .125W F TC=0+/-100	24546	C4-1/8-T0-4022-F
A17R96*	0757-0277	8	5	RESISTOR 49.9 1% .125W F TC=0+/-100	24546	C4-1/8-T0-4992-F
A17R96*	0757-0388	2	5	RESISTOR 30.1 1% .125W F TC=0+/-100	24546	C4-1/8-T0-30R1-F
A17R97*	0698-3262	1		RESISTOR 40.2 1% .125W F TC=0+/-100	24546	C4-1/8-T0-4022-F
A17R97*	0757-0277	8		RESISTOR 49.9 1% .125W F TC=0+/-100	24546	C4-1/8-T0-4992-F
A17R97*	0757-0388	2		RESISTOR 30.1 1% .125W F TC=0+/-100	24546	C4-1/8-T0-30R1-F
A17R98	0698-4467	0	1	RESISTOR 1.05K 1% .125W F TC=0+/-100	24546	C4-1/8-T0-1051-F
A17R99	0698-4471	6		RESISTOR 7.15K 1% .125W F TC=0+/-100	24546	C4-1/8-T0-7151-F
A17R100	0683-4705	8		RESISTOR 47 5% .25W FC TC=400/+500	01121	CB4705
A17R101	0757-0283	6		RESISTOR 2K 1% .125W F TC=0+/-100	24546	C4-1/8-T0-2001-F
A17R102	0683-5125	8		RESISTOR 5.1K 5% .25W FC TC=400/+700	01121	CB5125
A17R103	0683-3025	3		RESISTOR 3K 5% .25W FC TC=400/+700	01121	CB3025
A17R104	0683-1525	1		RESISTOR 1.5K 5% .25W FC TC=400/+700	01121	CB1525
A17R105	2100-3207	1		RESISTOR-TRMR 5K 10% C SIDE-ADJ 1-TRN	28480	2100-3207
A17R106	0757-0439	4	2	RESISTOR 6.81K 1% .125W F TC=0+/-100	24546	C4-1/8-T0-6811-F
A17R107	0683-4705	8		RESISTOR 47 5% .25W FC TC=400/+500	01121	CB4705
A17R108	0683-1015	7		RESISTOR 100 5% .25W FC TC=400/+500	01121	CB1015
A17R109	0683-4705	8		RESISTOR 47 5% .25W FC TC=400/+500	01121	CB4705
A17R110	0683-1015	7		RESISTOR 100 5% .25W FC TC=400/+500	01121	CB1015
A17R111	0683-1015	7		RESISTOR 100 5% .25W FC TC=400/+500	01121	CB1015
A17R112	0683-1015	7		RESISTOR 100 5% .25W FC TC=400/+500	01121	CB1015
A17R113	0683-1025	9		RESISTOR 1K 5% .25W FC TC=400/+600	01121	CB1025
A17R114	0757-0446	3	1	RESISTOR 15K 1% .125W F TC=0+/-100	24546	C4-1/8-T0-1502-F
A17RT1	0837-0086	7	7	THERMISTOR DISC 200-OHM TC=4.4%/C-DEG	28480	0837-0086
A17RT2	0837-0086	7		THERMISTOR DISC 200-OHM TC=4.4%/C-DEG	28480	0837-0086
A17RT3	0837-0085	6	1	THERMISTOR ROD 680-OHM TC=+.7%/C-DEG	28480	0837-0085
A17RT4	0837-0119	7	1	THERMISTOR ROD 5K-OHM TC=+.7%/C-DEG	28480	0837-0119
A17T1	9100-3262	5	5	TRANSFORMER TRANSFORMER; TOROIDAL PULSE	28480	9100-3262
A17T2	9100-3262	5		TRANSFORMER TRANSFORMER; TOROIDAL PULSE	28480	9100-3262
A17U1	1820-1196	8	9	IC FF TTL LS D-TYPE POS-EDGE-TRIG COM	01295	8N74L8174N
A17U2	1826-0846	5	16	IC SWITCH ANLG QUAD 16-DIP-C PKG	27014	LF13332D
A17U3	1826-0846	5		IC SWITCH ANLG QUAD 16-DIP-C PKG	27014	LF13332D
A17U4	1826-0846	5		IC SWITCH ANLG QUAD 16-DIP-C PKG	27014	LF13332D
A17U5	1826-0846	5		IC SWITCH ANLG QUAD 16-DIP-C PKG	27014	LF13332D
A17U6	1826-0846	5		IC SWITCH ANLG QUAD 16-DIP-C PKG	27014	LF13332D
A17U7	1820-1216	3	3	IC DCDR TTL LS 3-TO-8-LINE 3-INP	01295	8N74L8138N
A17U8	1820-1195	7	3	IC FF TTL LS D-TYPE POS-EDGE-TRIG COM	01295	8N74L8175N
A17U9	1820-1196	8		IC FF TTL LS D-TYPE POS-EDGE-TRIG COM	01295	8N74L8174N
A17Y1				PART OF MATCHED SET		
A17Y2				PART OF MATCHED SET		
A17Y1-5	03585-82501	6	1	CRYSTALS, IF FILTER (MATCHED SET OF 5)	28480	03585-82501
A18 MISCELLANEOUS PARTS						
	1400-0249	0	5	CABLE TIE .062-.625-DIA .091-WD NYL	28480	1400-0249
	1480-0116	8	6	PIN-GRV .062-IN-DIA .25-IN-LG STL	28480	1480-0116
	0403-0211	1	4	EXTR-PC BD BRN POLYC .062-BD-THKNS	28480	0403-0211
	0360-1653	5	20	CONNECTOR-SGL CONY PIN .045-IN-BSC-8Z 8Q	28480	0360-1653
	0403-0217	7		EXTR-PC BD VIO POLYC .062-BD-THKNS	28480	0403-0217
A18	03585-66518	5	1	IF GAIN BOARD	28480	03585-66518
A18C1	0180-1974	1	4	CAPACITOR-FXD 10UF+-10% 35VDC TA	56289	150D106X9035R2
A18C2	0180-1974	1		CAPACITOR-FXD 10UF+-10% 35VDC TA	56289	150D106X9035R2
A18C3	0180-0229	7		CAPACITOR-FXD 33UF+-10% 10VDC TA	56289	150D336X901082
A18C4	0150-0121	5		CAPACITOR-FXD .1UF +80-20% 50VDC CER	72982	8121-N065-651-0104Z
A18C5	0160-4571	8		CAPACITOR-FXD .1UF +80-20% 50VDC CER	28480	0160-4571

See introduction to this section for ordering information  
 \*Indicates factory selected value

**Table 9-3. Replaceable Parts (Cont'd)**

Reference Designation	HP Part Number	C	D	Qty	Description	Mfr Code	Mfr Part Number
A18C6	0160-4571	8			CAPACITOR-FXD .1UF +80-20% 50VDC CER	28480	0160-4571
A18C7	0160-4571	8			CAPACITOR-FXD .1UF +80-20% 50VDC CER	28480	0160-4571
A18C8	0140-0184	9			CAPACITOR-FXD 8200PF +-1% 100VDC MICA	72136	DM20F822F0100WV1CR
A18C9	0160-4571	8			CAPACITOR-FXD .1UF +80-20% 50VDC CER	28480	0160-4571
A18C10	0160-4571	8			CAPACITOR-FXD .1UF +80-20% 50VDC CER	28480	0160-4571
A18C11	0160-4571	8			CAPACITOR-FXD .1UF +80-20% 50VDC CER	28480	0160-4571
A18C12	0160-4571	8			CAPACITOR-FXD .1UF +80-20% 50VDC CER	28480	0160-4571
A18C13	0160-4571	8			CAPACITOR-FXD .1UF +80-20% 50VDC CER	28480	0160-4571
A18C14	0160-4571	8			CAPACITOR-FXD .1UF +80-20% 50VDC CER	28480	0160-4571
A18C15	0160-4571	8			CAPACITOR-FXD .1UF +80-20% 50VDC CER	28480	0160-4571
A18C16	0160-4571	8			CAPACITOR-FXD .1UF +80-20% 50VDC CER	28480	0160-4571
A18C17	0160-4571	8			CAPACITOR-FXD .1UF +80-20% 50VDC CER	28480	0160-4571
A18C18	0160-4571	8			CAPACITOR-FXD .1UF +80-20% 50VDC CER	28480	0160-4571
A18C19	0610-4571	8			CAPACITOR-FXD .1UF +80-20% 50VDC CER	28480	0160-4571
A18C20	0160-4571	8			CAPACITOR-FXD .1UF +80-20% 50VDC CER	28480	0160-4571
A18C21	0140-0191	8			CAPACITOR-FXD 56PF +-5% 300VDC MICA	04522	DM15E560J0300WV1CR
A18C22	0121-0180	5			CAPACITOR-V TRMR-CER 15-60PF 200V PC-MTG	01468	304324 15/60PF N1500
A18C23*	0160-2202	8			CAPACITOR-FXD 75PF +-5% 300VDC MICA	08113	HP15750J3C1
A18C23**	0160-2204	0			CAPACITOR-FXD 100PF +-5% 300VDC MICA	08113	HP15101J3C1
A18C23**	0160-2205	1			CAPACITOR-FXD 120PF +-5% 300VDC MICA	08113	HP15121J3C1
A18C24	0121-0059	7			CAPACITOR-V TRMR-CER 2-8PF 350V PC-MTG	01468	304324 2/8PF NPO
A18C25	0160-4571	8			CAPACITOR-FXD .1UF +80-20% 50VDC CER	28480	0160-4571
A18C26	0160-4571	8			CAPACITOR-FXD .1UF +80-20% 50VDC CER	28480	0160-4571
A18C27	0150-0121	5			CAPACITOR-FXD .1UF +80-20% 50VDC CER	72982	8121-N065-651-0104Z
A18C28	0150-0121	5			CAPACITOR-FXD .1UF +80-20% 50VDC CER	72982	8121-N065-651-0104Z
A18C29	0160-0127	2		1	CAPACITOR-FXD 1UF +-20% 25VDC CER	28480	0160-0127
A18C30	0150-0121	5			CAPACITOR-FXD .1UF +80-20% 50VDC CER	72982	8121-N065-651-0104Z
A18C31	0160-4571	8			CAPACITOR-FXD .1UF +80-20% 50VDC CER	28480	0160-4571
A18C32	0160-4571	8			CAPACITOR-FXD .1UF +80-20% 50VDC CER	28480	0160-4571
A18C33	0150-0121	5			CAPACITOR-FXD .1UF +80-20% 50VDC CER	72982	8121-N065-651-0104Z
A18C34	0160-4571	8			CAPACITOR-FXD .1UF +80-20% 50VDC CER	16299	CAC03Z5U1052050A
A18C36	0160-4571	8			CAPACITOR-FXD .1UF +80-20% 50VDC CER	16299	CAC03Z5U1052050A
A18C37	0160-4571	8			CAPACITOR-FXD .1UF +80-20% 50VDC CER	16299	CAC03Z5U1052050A
A18C38	0160-4571	8			CAPACITOR-FXD .1UF +80-20% 50VDC CER	28480	0160-4571
A18C39	0150-0121	5			CAPACITOR-FXD .1UF +80-20% 50VDC CER	72982	8121-N065-651-0104Z
A18C41	0160-4571	8			CAPACITOR-FXD .1UF +80-20% 50VDC CER	16299	CAC03Z5U1052050A
A18C42	0160-4571	8			CAPACITOR-FXD .1UF +80-20% 50VDC CER	16299	CAC03Z5U1052050A
A18C43	0150-0121	5			CAPACITOR-FXD .1UF +80-25% 50VDC CER	72982	8121-N065-651-0104Z
A18C44	0140-0198	5			CAPACITOR-FXD 200PF +-5% 300VDC MICA	72136	DM15F201J0300WV1CR
A18C46	0160-4571	8			CAPACITOR-FXD .1UF +80-20% 50VDC CER	16299	CAC03Z5U1052050A
A18C47	0160-4571	8			CAPACITOR-FXD .1UF +80-20% 50VDC CER	16299	CAC03Z5U1052050Z
A18C48	0160-4571	8			CAPACITOR-FXD .1UF +80-20% 50VDC CER	28480	0160-4571
A18C49	0160-4571	8			CAPACITOR-FXD .1UF +80-20% 50VDC CER	28480	0160-4571
A18C50	0160-4571	8			CAPACITOR-FXD .1UF +80-20% 50VDC CER	28480	0160-4571
A18C51	0160-4571	8			CAPACITOR-FXD .1UF +80-20% 50VDC CER	28480	0160-4571
A18C52	0160-4571	8			CAPACITOR-FXD .1UF +80-20% 50VDC CER	28480	0160-4571
A18C53	0150-0121	5			CAPACITOR-FXD .1UF +80-20% 50VDC CER	72982	8121-N065-651-0104Z
A18C54	0160-4571	8			CAPACITOR-FXD .1UF +80-20% 50VDC CER	28480	0160-4571
A18C55	0150-0121	5		1	CAPACITOR-FXD .1UF +80-20% 50VDC CER	72982	8121-N065-651-0104Z
A18C56	0160-4571	8			CAPACITOR-FXD .1UF +80-20% 50VDC CER	28480	0160-4571
A18C57	0160-4571	8			CAPACITOR-FXD .1UF +80-20% 50VDC CER	28480	0160-4571
A18C58	0160-4571	8			CAPACITOR-FXD .1UF +80-20% 50VDC CER	28480	0160-4571
A18C59	0160-4571	8			CAPACITOR-FXD .1UF +80-20% 50VDC CER	28480	0160-4571
A18C60	0160-4571	8			CAPACITOR-FXD .1UF +80-20% 50VDC CER	28480	0160-4571
A18C61	0160-4571	8			CAPACITOR-FXD .1UF +80-20% 50VDC CER	28480	0160-4571
A18C62	0160-4571	8			CAPACITOR-FXD .1UF +80-20% 50VDC CER	28480	0160-4571
A18C63	0160-4571	8			CAPACITOR-FXD .1UF +80-20% 50VDC CER	28480	0160-4571
A18C64	0160-4571	8			CAPACITOR-FXD .1UF +80-20% 50VDC CER	28480	0160-4571
A18C65	0160-4571	8			CAPACITOR-FXD .1UF +80-20% 50VDC CER	28480	0160-4571
A18C66	0160-4571	8			CAPACITOR-FXD .1UF +80-20% 50VDC CER	28480	0160-4571
A18C67	0160-4571	8			CAPACITOR-FXD .1UF +80-20% 50VDC CER	28480	0160-4571
A18C68	0160-4571	8			CAPACITOR-FXD .1UF +80-20% 50VDC CER	28480	0160-4571
A18C69	0160-4571	8			CAPACITOR-FXD .1UF +80-20% 50VDC CER	28480	0160-4571
A18C70	0160-4571	8			CAPACITOR-FXD .1UF +80-20% 50VDC CER	28480	0160-4571
A18C71	0160-4571	8			CAPACITOR-FXD .1UF +80-20% 50VDC CER	28480	0160-4571
A18C72	0160-4571	8			CAPACITOR-FXD .1UF +80-20% 50VDC CER	28480	0160-4571
A18C73	0160-4571	8			CAPACITOR-FXD .1UF +80-20% 50VDC CER	28480	0160-4571
A18C74	0160-4571	8			CAPACITOR-FXD .1UF +80-20% 50VDC CER	28480	0160-4571
A18C75	0160-4571	8			CAPACITOR-FXD .1UF +80-20% 50VDC CER	28480	0160-4571
A18C76	0160-4571	8			CAPACITOR-FXD .1UF +80-20% 50VDC CER	28480	0160-4571
A18C77	0160-4571	8			CAPACITOR-FXD .1UF +80-20% 50VDC CER	28480	0160-4571
A18C78	0160-4571	8			CAPACITOR-FXD .1UF +80-20% 50VDC CER	28480	0160-4571
A18C79	0160-4571	8			CAPACITOR-FXD .1UF +80-20% 50VDC CER	28480	0160-4571
A18C80	0160-4571	8			CAPACITOR-FXD .1UF +80-20% 50VDC CER	28480	0160-4571
A18C81	0160-4571	8			CAPACITOR-FXD .1UF +80-20% 50VDC CER	28480	0160-4571
A18C82	0160-3622	8			CAPACITOR-FXD .1UF +80-20% 100VDC CER	26654	2130Y5V100R104Z
A18C83	0121-01205	4			CAPACITOR-V TRMR-CER 9-35PF 200V PC-MTG	72982	538-006D 9-35

See introduction to this section for ordering information  
 \*Indicates factory selected value



Table 9-3. Replaceable Parts (Cont'd)

Reference Designation	HP Part Number	C D	Qty	Description	Mfr Code	Mfr Part Number
A18C84	0160-		8	CAPACITOR-FXD .1UF +80-20% 0VDC CER		
A18CR1	1901-0376		6	DIODE-GEN PRP 35V 50MA DO-35	28480	1901-0376
A18CR2	1901-0376		6	DIODE-GEN PRP 35V 50MA DO-35	28480	1901-0376
A18CR3	1901-0376		6	DIODE-GEN PRP 35V 50MA DO-35	28480	1901-0376
A18CR4	1901-0376		6	DIODE-GEN PRP 35V 50MA DO-35	28480	1901-0376
A18CR5	1901-0376		6	DIODE-GEN PRP 35V 50MA DO-35	28480	1901-0376
A18CR6	1901-0376		6	DIODE-GEN PRP 35V 50MA DO-35	28480	1901-0376
A18CR7	1901-0376		6	DIODE-GEN PRP 35V 50MA DO-35	28480	1901-0376
A18CR8	1902-3149		9	DIODE-ZNR 9.09V 5% DO-7 PD=.4W TC=+.057%	28480	1902-3149
A18CR9	1901-0518		8	DIODE-8CHOTTKY	28480	1901-0518
A18CR10	1901-0518		8	DIODE-8CHOTTKY	28480	1901-0518
A18CR11	1901-0050		3	DIODE-SWITCHING 80V 200MA 2NS DO-35	28480	1901-0050
A18CR12	1901-0050		3	DIODE-SWITCHING 80V 200MA 2NS DO-35	28480	1901-0050
A18CR13	1901-0050		3	DIODE-SWITCHING 80V 200MA 2NS DO-35	28480	1901-0050
A18CR14	1901-0050		3	DIODE-SWITCHING 80V 200MA 2NS DO-35	28480	1901-0050
A18HU2	1205-0011		0	HEAT SINK TO-5/TO-39-CS	28480	1205-0011
A18HU7	1205-0011		0	HEAT SINK TO-5/TO-39-CS	28480	1205-0011
A18HU8	1205-0011		0	HEAT SINK TO-5/TO-39-CS	28480	1205-0011
A18HU9	1205-0011		0	HEAT SINK TO-5/TO-39-CS	28480	1205-0011
A18J1	1251-4822		6	CONNECTOR 3-PIN M POST TYPE	28480	1251-4822
A18J2	1258-0141		8	JUMPER-REMOVABLE FOR 0.025 IN SQ PINS	22526	65474-004
A18J2	1251-4822		6	CONNECTOR 3-PIN M POST TYPE	28480	1251-4822
A18J2	1258-0141		8	JUMPER-REMOVABLE FOR 0.025 IN SQ PINS	22526	65474-004
A18L1	9140-0210		1	INDUCTOR RF-CH-MLD 100UH 5% .166DX .385LG	24226	15/103
A18L2	9140-0210		1	INDUCTOR RF-CH-MLD 100UH 5% .166DX .385LG	24226	15/103
A18L3	9100-1618		1	INDUCTOR RF-CH-MLD 5.6UH 10%	24426	15/561
A18L4	9140-0447		6	INDUCTOR 2MH 10% .614DX.531LG O=250	28480	9140-0447
A18L5	9140-0289		4	COIL-VAR 23UH-27UH Q=200 PC-MTG	28480	9140-0289
A18L6	9100-0543		9	COIL-VAR 900UH-1.1MH Q=112 TC-MTG	28480	9100-0543
A18Q1	1854-0071		7	TRANSISTOR NPN SI PD=300MW FT=200MHZ	28480	1854-0071
A18Q2	1853-0010		2	TRANSISTOR PNP SI TO-18 PD=360MW	28480	1853-0010
A18Q3	1854-0071		7	TRANSISTOR NPN SI PD=300MW FT=200MHZ	28480	1854-0071
A18Q4	1854-0071		7	TRANSISTOR NPN SI PD=300MW FT=200MHZ	28480	1854-0071
A18Q5	1854-0071		7	TRANSISTOR NPN SI PD=300MW FT=200MHZ	28480	1854-0071
A18Q6	1854-0071		7	TRANSISTOR NPN SI PD=300MW FT=200MHZ	28480	1854-0071
A18R1	0699-0164		8	RESISTOR 738.5 1% .125W F TC=0+-25	28480	0699-0164
A18R2	0699-0163		7	RESISTOR 466 1% .125W F TC=0+-25	28480	0699-0163
A18R3	0698-8499		6	RESISTOR 294 1% .125W F TC=0+-25	28480	0698-8499
A18R4	0699-0162		6	RESISTOR 502.7 1% .125W F TC=0+-25	28480	0699-0162
A18R5	0757-0421		4	RESISTOR 825 1% .125W F TC=0+-100	24546	C4-1/8-T0-825R-F
A18R7	0757-0426		9	RESISTOR 1.3K 1% .125W F TC=0+-100	24546	C4-1/8-T0-1301-F
A18R8	0683-1015		7	RESISTOR 100 5% .25W FC TC=400/+500	01121	CB1015
A18R9	0683-1015		7	RESISTOR 100 5% .25W FC TC=400/+500	01121	CB1015
A18R10	0683-2035		3	RESISTOR 20K 5% .25W FC TC=400/+800	01121	CB2035
A18R11	0683-2035		3	RESISTOR 20K 5% .25W FC TC=400/+800	01121	CB2035
A18R12	0698-3518		0	RESISTOR 7.32K 1% .125W F TC=0+-100	24546	C4-1/8-T0-7321-F
A18R13	0757-0279		0	RESISTOR 3.16K 1% .125W F TC=0+-100	24546	C4-1/8-T0-3161-F
A18R14	0698-4451		2	RESISTOR 340 1% .125W F TC=0+-100	24546	C4-1/8-T0-340R-F
A18R15	2100-2497		9	RESISTOR-TRMR 2K 10% C TOP=ADJ 1-TRN	73138	82PR2K
A18R16	0757-0283		6	RESISTOR 2K 1% .125W F TC=0+-100	24546	C4-1/8-T0-2001-F
A18R17	0683-3325		6	RESISTOR 3.3K 5% .25W FC TC=400/+700	01121	CB3325
A18R18	0683-1015		7	RESISTOR 100 5% .25W FC TC=400/+500	01121	CB1015
A18R19	0683-1015		7	RESISTOR 100 5% .25W FC TC=400/+500	01121	CB1015
A18R20	0698-4393		1	RESISTOR 73.2 1% .125W F TC=0+-100	24546	C4-1/8-T0-7321-F
A18R21	0698-3439		4	RESISTOR 178 1% .125W F TC=0+-100	24546	C4-1/8-T0-178R-F
A18R24	0757-0442		9	RESISTOR 10K 1% .125W F TC=0+-100	24546	C4-1/8-T0-1002-F
A18R25	0757-0281		4	RESISTOR 2.74K 1% .125W F TC=0+-100	24546	C4-1/8-T0-2741-F
A18R26	0698-3150		6	RESISTOR 2.37K 1% .125W F TC=0+-100	24546	C4-1/8-T0-2371-F
A18R27	0757-0428		1	RESISTOR 1.62K 1% .125W F TC=0+-100	24546	C4-1/8-T0-1621-F
A18R28	0683-1335		4	RESISTOR 13K 5% .25W FC TC=400/+800	01121	CB1335
A18R29	0683-4325		8	RESISTOR 4.3K 5% .25W FC TC=400/+700	01121	CB4325
A18R30	0683-2425		5	RESISTOR 2.4K 5% .25W FC TC=400/+700	01121	CB2425
A18R31	0683-2425		5	RESISTOR 2.4K 5% .25W FC TC=400/+700	01121	CB2425
A18R32	0683-2035		3	RESISTOR 20K 5% .25W FC TC=400/+800	01121	CB2035
A18R33	0683-4325		8	RESISTOR 4.3K 5% .25W FC TC=400/+700	01121	CB4325
A18R34	0683-1225		1	RESISTOR 1.2K 5% .25W FC TC=400/+700	01121	CB1225
A18R35	0683-3025		3	RESISTOR 3K 5% .25W FC TC=400/+700	01121	CB3025
A18R36	0683-1015		7	RESISTOR 100 5% .25W FC TC=400/+500	01121	CB1015
A18R37	0683-1235		3	RESISTOR 12K 5% .25W FC TC=400/+800	01121	CB1235
A18R38	0698-4506		5	RESISTOR 73.2K 1% .125W F TC=0+-100	03292	C4-1/8-T0-7322-F

See introduction to this section for ordering information  
 \*Indicates factory selected value

Table 9-3. Replaceable Parts (Cont'd)

Reference Designation	HP Part Number	C D	Qty	Description	Mfr Code	Mfr Part Number
A18R39	0698-4492	1		RESISTOR 32.4K 1% .125W F TC=0+-100	03292	C4-1/8-TO-3242-F
A18R40	0698-4471	6		RESISTOR 7.15K 1% .125W F TC=0+-100	03292	C4-1/8-TO-7151-F
A18R41	0698-4431	8		RESISTOR 2.05K 1% .125W F TC=0+-100	03292	C4-1/8-TO-2051-F
A18R42	0689-4453	4	1	RESISTOR 402 1% .125W F TC=0+-100	24546	C4-1/8-TO-402R-F
A18R43	0683-2025	1		RESISTOR 2K 5% .25W FC TC=400/+700	01121	CB2025
A18R44	0683-2025	1		RESISTOR 2K 5% .25W FC TC=400/+700	01121	CB2025
A18R45	0683-3625	9	3	RESISTOR 3.6K 5% .25W FC TC=400/+700	01121	CB3625
A18R46	0683-6225	1	3	RESISTOR 6.2K 5% .25W FC TC=400/+700	01121	CB6225
A18R47	0683-1045	3		RESISTOR 100K 5% .25W FC TC=400/+800	01121	CB1045
A18R48	0683-1045	3		RESISTOR 100K 5% .25W FC TC=400/+800	01121	CB1045
A18R49	0683-1045	3		RESISTOR 100K 5% .25W FC TC=400/+800	01121	CB1045
A18R50	0683-1045	3		RESISTOR 100K 5% .25W FC TC=400/+800	01121	CB1045
A18R51	0683-1015	7		RESISTOR 100 5% .25W FC TC=400/+500	01121	CB1015
A18R52*	0698-3262	1		RESISTOR 40.2 1% .125W F TC=0+-100	24546	C4-1/8-TO-4022-F
A18R52*	0698-0387	3		RESISTOR 60.4 1% .125W F TC=0+-100	24546	C4-1/8-TO-60R4-F
A18R52*	0757-0277	8		RESISTOR 49.9 1% .125W F TC=0+-100	24546	C4-1/8-TO-4992-F
A18R52*	0757-0388	2		RESISTOR 30.1 1% .125W F TC=0+-100	24546	C4-1/8-TO-30R1-F
A18R53	0683-2035	3		RESISTOR 20K 5% .25W FC TC=400/+800	01121	CB2035
A18R54	0683-4705	8		RESISTOR 47 5% .25W FC TC=400/+500	01121	CB4705
A18R55	0683-1035	1		RESISTOR 10K 5% .25W FC TC=400/+700	01121	CB1035
A18R56	0683-1015	7		RESISTOR 100 5% .25W FC TC=400/+500	01121	CB1015
A18R57	0683-1015	7		RESISTOR 100 5% .25W FC TC=400/+500	01121	CB1015
A18R58	0683-1015	7		RESISTOR 100 5% .25W FC TC=400/+500	01121	CB1015
A18R59	0698-3492	9	1	RESISTOR 2.67K 1% .125W F TC=0+-100	24546	C4-1/8-TO-2671-F
A18R60	0683-1045	3		RESISTOR 100K 5% .25W FC TC=400/+800	01121	CB1045
A18R61	0683-5125	8		RESISTOR 5.1K 5% .25W FC TC=400/+700	01121	CB5125
A18R62	0683-1015	7		RESISTOR 100 5% .25W FC TC=400/+500	01121	CB1015
A18R63	0683-1015	7		RESISTOR 100 5% .25W FC TC=400/+500	01121	CB1015
A18R64	0698-4446	5	3	RESISTOR 267 1% .125W F TC=0+-100	24546	C4-1/8-TO-267R-F
A18R65	2100-3349	2	3	RESISTOR-TRMR 100 10% C SIDE=ADJ 1-TRN	28480	2100-3349
A18R66	0698-4427	2	3	RESISTOR 1.65K 1% .125W F TC=0+-100	24546	C4-1/8-TO-1651-F
A18R67	0683-2035	3		RESISTOR 20K 5% .25W FC TC=400/+800	01121	CB2035
A18R68	0683-1015	7		RESISTOR 100 5% .25W FC TC=400/+500	01121	CB1015
A18R69	0683-1015	7		RESISTOR 100 5% .25W FC TC=400/+500	01121	CB1015
A18R70	0698-4446	5		RESISTOR 267 1% .125W F TC=0+-100	24546	C4-1/8-TO-267R-F
A18R71	2100-3349	2		RESISTOR-TRMR 100 10% C SIDE=ADJ 1-TRN	28480	2100-3349
A18R72	0698-4427	2		RESISTOR 1.65K 1% .125W F TC=0+-100	24546	C4-1/8-TO-1651-F
A18R73	0683-2035	3		RESISTOR 20K 5% .25W FC TC=400/+800	01121	CB2035
A18R74	0683-1015	7		RESISTOR 100 5% .25W FC TC=400/+500	01121	CB1015
A18R75	0683-1015	7		RESISTOR 100 5% .25W FC TC=400/+500	01121	CB1015
A18R76	0698-4446	5		RESISTOR 267 1% .125W F TC=0+-100	24546	C4-1/8-TO-267R-F
A18R77	2100-3349	2		RESISTOR-TRMR 100 10% C SIDE=ADJ 1-TRN	28480	2100-3349
A18R78	0698-4427	2		RESISTOR 1.65K 1% .125W F TC=0+-100	24546	C4-1/8-TO-1651-F
A18R79	0683-2035	3		RESISTOR 20K 5% .25W FC TC=400/+800	01121	CB2035
A18R80	0683-1015	7		RESISTOR 100 5% .25W FC TC=400/+500	01121	CB1015
A18R81	0683-1015	7		RESISTOR 100 5% .25W FC TC=400/+500	01121	CB1015
A18R82	0683-2035	3		RESISTOR 20K 5% .25W FC TC=400/+800	01121	CB2035
A18R83	0683-2025	1		RESISTOR 2K 5% .25W FC TC=400/+700	01121	CB2025
A18R84	0683-1025	9		RESISTOR 1K 5% .25W FC TC=400/+600	01121	CB1025
A18R85	0698-4444	1	1	RESISTOR 19.1K 1% .125W F TC=0+-100	24546	C4-1/8-TO-1912-F
A18R86	0683-1025	9		RESISTOR 1K 5% .25W FC TC=400/+600	01121	CB1025
A18R87	0683-1025	9		RESISTOR 1K 5% .25W FC TC=400/+600	01121	CB1025
A18R88	0683-1025	9		RESISTOR 1K 5% .25W FC TC=400/+600	01121	CB1025
A18R89	0683-1025	9		RESISTOR 1K 5% .25W FC TC=400/+600	01121	CB1025
A18R90	0683-1025	9		RESISTOR 1K 5% .25W FC TC=400/+600	01121	CB1025
A18R91	0683-1025	9		RESISTOR 1K 5% .25W FC TC=400/+600	01121	CB1025
A18R92	0683-1025	9		RESISTOR 1K 5% .25W FC TC=400/+600	01121	CB1025
A18R93	0683-1025	9		RESISTOR 1K 5% .25W FC TC=400/+600	01121	CB1025
A18R94	0683-1025	9		RESISTOR 1K 5% .25W FC TC=400/+600	01121	CB1025
A18R95	0683-1025	9		RESISTOR 1K 5% .25W FC TC=400/+600	01121	CB1025
A18R96	0683-1015	7		RESISTOR 100 5% .25W FC TC=400/+500	01121	CB1015
A18R97	0683-1015	7		RESISTOR 100 5% .25W FC TC=400/+500	01121	CB1015

See introduction to this section for ordering information  
 \*Indicates factory selected value

Table 9-3. Replaceable Parts (Cont'd)

Reference Designation	HP Part Number	C D	Qty	Description	Mfr Code	Mfr Part Number
A18R98	0683-1045	3		RESISTOR 100K 5% .25W FC TC=-400/+800	01121	CB1045
A18R99	0683-5125	8		RESISTOR 5.1K 5% .25W FC TC=-400/+700	01121	CB5125
A18R100	0683-1015	7		RESISTOR 100 5% .25W FC TC=-400/+500	01121	CB1015
A18R101	0683-1025	9		RESISTOR 1K 5% .25W FC TC=-400/+600	01121	CB1025
A18R102	0683-1025	9		RESISTOR 1K 5% .25W FC TC=-400/+600	01121	CB1025
A18R103	0683-1025	9		RESISTOR 1K 5% .25W FC TC=-400/+600	01121	CB1025
A18R104	0683-1025	9		RESISTOR 1K 5% .25W FC TC=-400/+600	01121	CB1025
A18R105	0683-1025	9		RESISTOR 1K 5% .25W FC TC=-400/+600	01121	CB1025
A18R106	0683-1025	9		RESISTOR 1K 5% .25W FC TC=-400/+600	01121	CB1025
A18R107	0757-0415	6	1	RESISTOR 475 1% .125W F TC=0/+100	24546	C4-1/8-T0-475R-F
A18R108	0683-1035	1		RESISTOR 10K 5% .25W FC TC=-400/+700	01121	CB1035
A18R109	0683-1015	7		RESISTOR 100 5% .25W FC TC=-400/+500	01121	CB1015
A18R110	0683-1015	7		RESISTOR 100 5% .25W FC TC=-400/+500	01121	CB1015
A18R111	0683-1015	7		RESISTOR 100 5% .25W FC TC=-400/+500	01121	CB1015
A18R112	0683-1015	7		RESISTOR 100 5% .25W FC TC=-400/+500	01121	CB1015
A18R113	0683-1015	7		RESISTOR 100 5% .25W FC TC=-400/+500	01121	CB1015
A18R114	0683-1015	7		RESISTOR 100 5% .25W FC TC=-400/+500	01121	CB1015
A18R115	0683-1015	7		RESISTOR 100 5% .25W FC TC=-400/+500	01121	CB1015
A18R116	0683-1015	7		RESISTOR 100 5% .25W FC TC=-400/+500	01121	CB1015
A18R117	0683-1015	7		RESISTOR 100 5% .25W FC TC=-400/+500	01121	CB1015
A18R118	0683-1015	7		RESISTOR 100 5% .25W FC TC=-400/+500	01121	CB1015
A18R119	0683-1015	7		RESISTOR 100 5% .25W FC TC=-400/+500	01121	CB1015
A18R120	0683-1015	7		RESISTOR 100 5% .25W FC TC=-400/+500	01121	CB1015
A18R121	0683-1015	7		RESISTOR 100 5% .25W FC TC=-400/+500	01121	CB1015
A18R122	0683-1015	7		RESISTOR 100 5% .25W FC TC=-400/+500	01121	CB1015
A18RT1	0837-0086	7		THERMISTOR DISC 200-OHM TC=-4.4%/C-DEG	28480	0837-0086
A18RT2	0837-0086	7		THERMISTOR DISC 200-OHM TC=-4.4%/C-DEG	28480	0837-0086
A18RT3	0837-0086	7		THERMISTOR DISC 200-OHM TC=-4.4%/C-DEG	28480	0837-0086
A18T1	9100-3262	5		TRANSFORMER, TOROIDAL PULSE	28480	9100-3262
A18U1	1826-0846	5		IC SWITCH ANLG QUAD 16-DIP-C	27014	LF13332D
A18U2	1826-0089	8	1	IC OP AMP WB TO-99	29832	1322
A18U3	1826-0846	5		IC SWITCH ANLG QUAD 16-DIP-C	27014	LF13332D
A18U4	1826-0846	5		IC SWITCH ANLG QUAD 16-DIP-C	27014	LF13332D
A18U5	1826-0846	5		IC SWITCH ANLG QUAD 16-DIP-C	27014	LF13332D
A18U6	1826-0846	5		IC SWITCH ANLG QUAD 16-DIP-C	27014	LF13332D
A18U7	1826-0109	3	3	IC OP AMP WB TO-99	34371	HA2-2625-80593
A18U8	1826-0109	3		IC OP AMP WB TO-99	34371	HA2-2625-80593
A18U9	1826-0109	3		IC OP AMP WB TO-99	34371	HA2-2625-80593
A18U10	1826-0846	5		IC SWITCH ANLG QUAD 16-DIP-C	27014	LF13332D
A18U11	1826-0846	5		IC SWITCH ANLG QUAD 16-DIP-C	27014	LF13332D
A18U12	1820-1196	8		IC FF TTL L8 D-TYPE POS-EDGE-TRIG COM	01295	8N74L8174N
A18U13	1820-1196	8		IC FF TTL L8 D-TYPE POS-EDGE-TRIG COM	01295	8N74L8174N
A18U14	1820-1196	8		IC FF TTL L8 D-TYPE POS-EDGE-TRIG COM	01295	8N74L8174N
A18U15	1820-1196	8		IC FF TTL L8 D-TYPE POS-EDGE-TRIG COM	01295	8N74L8174N
A18U16	1820-1195	7		IC FF TTL L8 D-TYPE POS-EDGE-TRIG COM	01295	8N74L8175N
A18U17	1820-1216	3		IC DCDR TTL L8 3-TO-8-LINE 3-INP	01295	8N74L8138N
A18Y1				NOT ASSIGNED		
A18Y2				NOT ASSIGNED		
A18Y3				PART OF MATCHED SET (SEE A17 PARTS LIST)		
				A18 MISCELLANEOUS PARTS		
	1480-0116	8		PIN-GRV .062-IN-DIA .25-IN-LG STL	28480	1480-0116
	0403-0211	1		EXTR-PC BD BRN POLYC .062-BD-THKNS	28480	0403-0211
	0403-0218	8	1	EXTR-PC BD GRA POLYC .062-BD-THKNS	28480	0403-0218
	0360-1653	5		CONNECTOR-SGL CONT PIN .045-IN-BSC-SZ 80	28480	0360-1653
	6960-0080	8	1	PLUG-HOLE FL-HD FOR .185-D-HOLE TPE	28480	6960-0080
	1400-0249	0		CABLE TIE .062-.625-DIA .091-WD NYL	28480	1400-0249
A19	03585-66519	6	1	FILTER BOARD NO. 2	28480	03585-66513
A19C1	0180-1974	1		CAPACITOR-FXD 10UF+-10% 35VDC TA	56289	150D106X9035R2
A19C2	0180-1974	1		CAPACITOR-FXD 10UF+-10% 35VDC TA	56289	150D106X9035R2
A19C3	0180-0229	7		CAPACITOR-FXD 33UF+-10% 10VDC TA	56289	150D336X9010B2
A19C4	0160-4571	8		CAPACITOR-FXD .1UF +80-20% 50VDC CER	16299	CAC03Z5U104Z050A
A19C5	0150-0121	5		CAPACITOR-FXD .1UF +80-20% 50VDC CER	72982	8121-H065-651-0104Z
A19C6	0150-0121	5		CAPACITOR-FXD .1UF +80-20% 50VDC CER	72982	8121-H065-651-0104Z
A19C8	0160-4571	8		CAPACITOR-FXD .1UF +80-20% 50VDC CER	28480	0160-4571
A19C9	0160-4571	8		CAPACITOR-FXD .1UF +80-20% 50VDC CER	16299	CAC03Z5U104Z050A
A19C10	0150-0121	5		CAPACITOR-FXD .1UF +80-20% 50VDC CER	72982	8121-H065-651-0104Z
A19C11	0140-0184	9		CAPACITOR-FXD 8200PF +-1% 100VDC MICA	72136	DM20FB22F0100W1CR
A19C12	0160-4571	8		CAPACITOR-FXD .1UF +80-20% 50VDC CER	16299	CAC03Z5U104Z050A
A19C13	0160-4571	8		CAPACITOR-FXD .1UF +80-20% 50VDC CER	16299	CAC03Z5U104Z050A
A19C14	0150-0121	5		CAPACITOR-FXD .1UF +80-20% 50VDC CER	72982	8121-H065-651-0104Z
A19C15	0140-0184	9		CAPACITOR-FXD 8200PF +-1% 100VDC MICA	72136	DM20FB22F0100W1CR
A19C16	0160-4571	8		CAPACITOR-FXD .1UF +80-20% 50VDC CER	16299	CAC03Z5U104Z050A

See introduction to this section for ordering information  
 \*Indicates factory selected value

**Table 9-3. Replaceable Parts (Cont'd)**

Reference Designation	HP Part Number	C D	Qty	Description	Mfr Code	Mfr Part Number
A19C17	0150-0121	5		CAPACITOR-FXD .1UF +80-20% 50VDC CER	72982	8121-H065-651-0104Z
A19C18	0160-4571	8		CAPACITOR-FXD .1UF +80-20% 50VDC CER	28480	0160-4571
A19C19	0160-4571	8		CAPACITOR-FXD .1UF +80-20% 50VDC CER	28480	0160-4571
A19C20	0160-4571	8		CAPACITOR-FXD .1UF +80-20% 50VDC CER	28480	0160-4571
A19C21	0150-0121	5		CAPACITOR-FXD .1UF +80-20% 50VDC CER	72982	8121-H065-651-0104Z
A19C22	0160-4571	8		CAPACITOR-FXD .1UF +80-20% 50VDC CER	28480	0160-4571
A19C23	0160-4571	8		CAPACITOR-FXD .1UF +80-20% 50VDC CER	28480	0160-4571
A19C24	0160-4571	8		CAPACITOR-FXD .1UF +80-20% 50VDC CER	28480	0160-4571
A19C25	0160-4571	8		CAPACITOR-FXD .1UF +80-20% 50VDC CER	28480	0160-4571
A19C26	0160-4571	8		CAPACITOR-FXD .1UF +80-20% 50VDC CER	28480	0160-4571
A19C27	0140-0191	8	2	CAPACITOR-FXD 56PF +-5% 300VDC MICA	08113	HP15560J3C1
A19C28	0121-0180	5		CAPACITOR-V TRMR-CER 15-60PF 200V PC-MTG	01468	304324 15/60PF N1500
A19C29*	0160-2202	8		CAPACITOR-FXD 75PF +-5% 300VDC MICA	08113	HP15750J3C1
A19C29**	0160-2204	0		CAPACITOR-FXD 100PF +-5% 300VDC MICA	08113	HP15101J3C1
A19C29**	0160-2205	1		CAPACITOR-FXD 120PF +-5% 300VDC MICA	08113	HP15121J3C1
A19C30	0121-0059	7		CAPACITOR-V TRMR-CER 2-8PF 350V PC-MTG	01468	304324 2/8PF NPO
A19C31	0160-4571	8		CAPACITOR-FXD .1UF +80-20% 50VDC CER	28480	0160-4571
A19C32	0160-4571	8		CAPACITOR-FXD .1UF +80-20% 50VDC CER	28480	0160-4571
A19C33	0160-4571	8		CAPACITOR-FXD .1UF +80-20% 50VDC CER	16299	CAC03Z5U104Z050A
A19C34	0160-4571	8		CAPACITOR-FXD .1UF +80-20% 50VDC CER	28480	0160-4571
A19C35	0160-4571	8		CAPACITOR-FXD .1UF +80-20% 50VDC CER	28480	0160-4571
A19C36	0160-4571	8		CAPACITOR-FXD .1UF +80-20% 50VDC CER	28480	0160-4571
A19C37	0160-4571	8		CAPACITOR-FXD .1UF +80-20% 50VDC CER	28480	0160-4571
A19C39	0121-0180	5		CAPACITOR-V TRMR-CER 15-60PF 200V PC-MTG	01468	304324 15/60PR N1500
A19C40**	0160-2202	8		CAPACITOR-FXD 75PF +-5% 300VDC MICA	08113	HP15750J3C1
A19C40**	0160-2204	0		CAPACITOR-FXD 100PF +-5% 300VDC MICA	08113	HP15101J3C1
A19C40**	0160-2205	1		CAPACITOR-FXD 120PF +-5% 300VDC MICA	08113	HP15121J3C1
A19C41	0121-0059	7		CAPACITOR-V TRMR-CER 2-8PF 350V PC-MTG	01468	304324 2/8PF NPO
A19C43	0160-4571	8		CAPACITOR-FXD .1UF +80-20% 50VDC CER	16299	CAC03Z5U104Z050A
A19C44	0150-0121	5		CAPACITOR-FXD .1UF +80-20% 50VDC CER	72982	8121-H065-651-0104Z
A19C45	0160-4571	8		CAPACITOR-FXD .1UF +80-20% 50VDC CER	16299	CAC03Z5U104Z050A
A19C46	0160-4571	8		CAPACITOR-FXD .1UF +80-20% 50VDC CER	28480	0160-4571
A19C47	0160-4571	8		CAPACITOR-FXD .1UF +80-20% 50VDC CER	16299	CAC03Z5U104Z050A
A19C48	0160-4571	8		CAPACITOR-FXD .1UF +80-20% 50VDC CER	16299	CAC03Z5U104Z050A
A19C49	0160-4571	8		CAPACITOR-FXD .1UF +80-20% 50VDC CER	16299	CAC03Z5U104Z050A
A19C50	0160-4571	8		CAPACITOR-FXD .1UF +80-20% 50VDC CER	16299	CAC03Z5U104Z050A
A19C51	0160-4571	8		CAPACITOR-FXD .1UF +80-20% 50VDC CER	16299	CAC03Z5U104Z050A
A19C52	0160-4571	8		CAPACITOR-FXD .1UF +80-20% 50VDC CER	16299	CAC03Z5U104Z050A
A19C53	0160-4571	8		CAPACITOR-FXD .1UF +80-20% 50VDC CER	16299	CAC03Z5U104Z050A
A19C54	0160-4571	8		CAPACITOR-FXD .1UF +80-20% 50VDC CER	16299	CAC03Z5U104Z050A
A19C55	0160-4571	8		CAPACITOR-FXD .1UF +80-20% 50VDC CER	16299	CAC03Z5U104Z050A
A19C56	0160-4571	8		CAPACITOR-FXD .1UF +80-20% 50VDC CER	16299	CAC03Z5U104Z050A
A19C57	0160-4571	8		CAPACITOR-FXD .1UF +80-20% 50VDC CER	16299	CAC03Z5U104Z050A
A19C58	0160-4571	8		CAPACITOR-FXD .1UF +80-20% 50VDC CER	16299	CAC03Z5U104Z050A
A19C59	0160-4571	8		CAPACITOR-FXD .1UF +80-20% 50VDC CER	16299	CAC03Z5U104Z050A
A19C60	0160-4571	8		CAPACITOR-FXD .1UF +80-20% 50VDC CER	16299	CAC03Z5U104Z050A
A19C61	0160-4571	8		CAPACITOR-FXD .1UF +80-20% 50VDC CER	16299	CAC03Z5U104Z050A
A19C62	0160-4571	8		CAPACITOR-FXD .1UF +80-20% 50VDC CER	16299	CAC03Z5U104Z050A
A19C63	0160-4571	8		CAPACITOR-FXD .1UF +80-20% 50VDC CER	16299	CAC03Z5U104Z050A
A19C64	0160-4571	8		CAPACITOR-FXD .1UF +80-20% 50VDC CER	16299	CAC03Z5U104Z050A
A19C65	0160-4571	8		CAPACITOR-FXD .1UF +80-20% 50VDC CER	16299	CAC03Z5U104Z050A
A19C66	0121-0105	4		CAPACITOR-V TRMR-CER 9-35PF 200V PC-MTG	72982	538-006D 9-35
A19C67	0121-0105	4		CAPACITOR-V TRMR-CER 9-35PF 200V PC-MTG	72982	538-006D 9-35
A19C98	0140-0191	8		CAPACITOR-FXD 56PF +-5% 300VDC MICA	04522	DM15E560J0300W1CR
A19C99	0160-4571	8		CAPACITOR-FXD .1UF +80-20% 50VDC CER	28480	0160-4571
A19CR1	1901-0376	6		DIODE-GEN PRP 35V 50MA DD-35	28480	1901-0376
A19CR2	1901-0376	6		DIODE-GEN PRP 35V 50MA DD-35	28480	1901-0376
A19CR3	1901-0376	6		DIODE-GEN PRP 35V 50MA DD-35	28480	1901-0376
A19CR4	1901-0376	6		DIODE-GEN PRP 35V 50MA DD-35	28480	1901-0376
A19CR5	1901-0376	6		DIODE-GEN PRP 35V 50MA DD-35	28480	1901-0376
A19CR6	1901-0376	6		DIODE-GEN PRP 35V 50MA DD-35	28480	1901-0376
A19CR7	1901-0376	6		DIODE-GEN PRP 35V 50MA DD-35	28480	1901-0376
A19CR8	1901-0376	6		DIODE-GEN PRP 35V 50MA DD-35	28480	1901-0376
A19CR9	1901-0376	6		DIODE-GEN PRP 35V 50MA DD-35	28480	1901-0376
A19CR10	1901-0376	6		DIODE-GEN PRP 35V 50MA DD-35	28480	1901-0376
A19CR11	1902-3149	9		DIODE-ZNR 9.09V 5% DD-7 PD=.4W TC=+.057%	28480	1902-3149
A19CR12	1901-0376	6		DIODE-GEN PRP 35V 50MA DD-35	28480	1901-0376
A19CR13	1901-0376	6		DIODE-GEN PRP 35V 50MA DD-35	28480	1901-0376
A19CR14	1901-0376	6		DIODE-GEN PRP 35V 50MA DD-35	28480	1901-0376
A19CR15	1901-0376	6		DIODE-GEN PRP 35V 50MA DD-35	28480	1901-0376
A19CR16	1901-0518	8		DIODE-SCHOTTKY	28480	1901-0518
A19CR17	1901-0518	8		DIODE-SCHOTTKY	28480	1901-0518
A19J1	1251-4822	6		CONNECTOR 3-PIN M POST TYPE	28480	1251-4822
A19J2	1258-0141	8		JUMPER-REMOVABLE FOR 0.025 IN SQ PINS	22526	65474-004
A19J2	1251-4822	6		CONNECTOR 3-PIN M POST TYPE	28480	1251-4822
A19J2	1258-0141	8		JUMPER-REMOVABLE FOR 0.025 IN SQ PINS	22526	65474-004

See introduction to this section for ordering information  
 \*Indicates factory selected value

**Table 9-3. Replaceable Parts (Cont'd)**

Reference Designation	HP Part Number	C D	Qty	Description	Mfr Code	Mfr Part Number
A19J3	1251-4822	6		CONNECTOR 3-PIN M POST TYPE	28480	1251-4822
	1258-0141	8		JUMPER-REMOVABLE FOR 0.025 IN SQ PINS	22526	65474-004
A19J4	1251-4822	6		CONNECTOR 3-PIN M POST TYPE	28480	1251-4822
	1258-0141	8		JUMPER-REMOVABLE FOR 0.025 IN SQ PINS	22526	65474-004
A19L1	9140-0210	1		INDUCTOR RF-CH-MLD 100UH 5% .166DX.385LG	24226	15/103
A19L2	9140-0210	1		INDUCTOR RF-CH-MLD 100UH 5% .166DX.385LG	24226	15/103
A19L3	9100-1618	1		INDUCTOR RF-CH-MLD 5.6UH 10%	24226	15/561
A19L4	9140-0289	4		COIL-VAR 23UH-27UH Q=200 PC-MTG	28480	9140-0289
A19L5	9140-0289	4		COIL-VAR 23UH-27UH Q=200 PC-MTG	28480	9140-0289
A19L6	9140-0447	6		INDUCTOR 2MH 10% .614DX.531LG Q=250	28480	9140-0447
A19L7	9140-0447	6		INDUCTOR 2MH 10% .614DX.531LG Q=250	28480	9140-0447
A19Q1	1854-0071	7		TRANSISTOR NPN SI PD=300MW FT=200MHZ	28480	1854-0071
A19Q2	1854-0071	7		TRANSISTOR NPN SI PD=300MW FT=200MHZ	28480	1854-0071
A19Q3	1854-0071	7		TRANSISTOR NPN SI PD=300MW FT=200MHZ	28480	1854-0071
A19Q4	1854-0071	7		TRANSISTOR NPN SI PD=300MW FT=200MHZ	28480	1854-0071
A19Q5	1953-0010	2		TRANSISTOR PNP SI T0=18 PD=360MW	28480	1853-0010
A19Q6	1854-0071	7		TRANSISTOR NPN SI DE=300MW FT=200MHZ	28480	1854-0071
A19Q7	1854-0071	7		TRANSISTOR NPN SI PD=300MW FT=200MHZ	28480	1854-0071
A19Q8	1854-0071	7		TRANSISTOR NPN SI PD=300MW FT=200MHZ	28480	1854-0071
A19Q9	1854-0071	7		TRANSISTOR NPN SI PD=300MW FT=200MHZ	28480	1854-0071
A19Q10	1855-0081	1	1	TRANSISTOR J-FET N-CHAN D-MODE SI	01295	2N5245
A19R1	0683-1025	9		RESISTOR 1K 5% .25W FC TC=-400/+600	01121	CB1025
A19R2	0683-1025	9		RESISTOR 1K 5% .25W FC TC=-400/+600	01121	CB1025
A19R3	0683-1025	9		RESISTOR 1K 5% .25W FC TC=-400/+600	01121	CB1025
A19R4	0683-1025	9		RESISTOR 1K 5% .25W FC TC=-400/+600	01121	CB1025
A19R5	-683-5625	3	1	RESISTOR 5.6K 5% .25W FC TC=-400/+700	01121	CB5625
A19R6	0699-0164	8		RESISTOR 738.5 .1% .125W F TC=0+-25	28480	0699-0164
A19R7	0699-0163	7		RESISTOR 466 .1% .125W F TC=0+-25	28480	0699-0163
A19R8	0698-8499	6		RESISTOR 294 .1% .125W F TC=0+-25	28480	0698-8499
A19R9	0699-0162	6		RESISTOR 502.7 .1% .125W F TC=0+-25	28480	0699-0162
A19R10	0683-1025	9		RESISTOR 1K 5% .25W FC TC=-400/+600	01121	CB1025
A19R11	0683-4705	8		RESISTOR 47 5% .25W FC TC=-400/+500	01121	CB4705
A19R12	0683-1015	7		RESISTOR 100 5% .25W FC TC=-400/+500	01121	CB1015
A19R13	0757-0439	4		RESISTOR 6.81K 1% .125W F TC=0+-100	24546	C4-1/8-TO-6811-F
A19R14	0683-1015	7		RESISTOR 100 5% .25W FC TC=-400/+500	01121	CB1015
A19R15	0683-2035	3		RESISTOR 20K 5% .25W FC TC=-400/+800	01121	CB2035
A19R16	0683-2035	3		RESISTOR 20K 5% .25W FC TC=-400/+800	01121	CB2035
A19R17	0698-3518	0		RESISTOR 7.32K 1% .125W F TC=0+-100	24546	C4-1/8-TO-7321-F
A19R18	0757-0279	0		RESISTOR 3.16K 1% .125W F TC=0+-100	24546	C4-1/8-TO-3161-F
A19R19	0698-4451	2		RESISTOR 340 1% .125W F TC=0+-100	24546	C4=1/8-TO-340R-F
A19R20	2100-2497	9		RESISTOR-TRMR 2K 10% C TOP-ADJ 1=TRN	73138	82PR2K
A19R21	0757-0283	6		RESISTOR 2K 1% .125W F TC=0+-100	24546	C4-1/8-TO-2001-F
A19R22	0683-3325	6		RESISTOR 3.3K 5% .25W FC TC=-400/+700	01121	CB3325
A19R23	0683-1015	7		RESISTOR 100 5% .25W FC TC=-400/+500	01121	CB1015
A19R24	0683-1015	7		RESISTOR 100 5% .25W FC TC=-400/+500	01121	CB1015
A19R25	0698-3581	0		RESISTOR 7.32K 1% .125W F TC=0+-100	24546	C4-1/8-TO-7321-F
A19R26	0698-3496	3		RESISTOR 3.57K 1% .125W F TC=0+-100	24546	C4-1/8-TO=357R-F
A19R27	0757-0416	7		RESISTOR 511 1% .125W F TC=0+-100	24546	C4-1/8-TO-511R-F
A19R28	2100-2497	9		RESISTOR-TRMR 2K 10% C TOP-ADJ 1=TRN	73138	82PR2K
A19R29	0757-0283	6		RESISTOR 2K 1% .125W F TC=0+-100	24546	C4-1/8-TO-2001-F
A19R30	0683-3325	6		RESISTOR 3.3K 5% .25W FC TC=-400/+700	01121	CB3325
A19R31	0683-1015	7		RESISTOR 100 5% .25W FC TC=-400/+500	01121	CB1015
A19R32	0698-3558	8	2	RESISTOR 4.02K 1% .125W F TC=0+-100	24546	C4-1/8-TO-4021-F
A19R33	0698-3540	8	1	RESISTOR 15.4K 1% .125W F TC=0+-100	24546	C4-1/8-TO-1542-F
A19R34	0698-4436	3	1	RESISTOR 2.8K 1% .125W F TC=0+-100	24546	C4-1/8-TO-2801-F
A19R35	0683-3935	4	1	RESISTOR 39K 5% .25W FC TC=-400/+800	01121	CB3935
A19R36	0683-1345	6	1	RESISTOR 130K 5% .25W FC TC=-800/+900	01121	CB1345
A19R37	0683-2235	5	1	RESISTOR 22K 5% .25W FC TC=-400/+800	01121	CB2235
A19R38	0683-2035	3		RESISTOR 20K 5% .25W FC TC=-400/+800	01121	CB2035
A19R39	0683-7525	6		RESISTOR 7.5K 5% .25W FC TC=-400/+700	01121	CB7525
A19R40	0683-2035	3		RESISTOR 20K 5% .25W FC TC=-400/+800	01121	CB2035
A19R41	0683-3025	3		RESISTOR 3K 5% .25W FC TC=-400/+700	01121	CB3025
A19R42	0683-1015	7		RESISTOR 100 5% .25W FC TC=-400/+500	01121	CB1015
A19R43	0683-1235	3		RESISTOR 12K 5% .25W FC TC=-400/+800	01121	CB1235
A19R44	0698-4506	8		RESISTOR 73.2K 1% .125W F TC=0+-100	03292	C4-1/8-TO-7322-F
A19R45	0698-4492	1		RESISTOR 32.4K 1% .125W F TC=0+-100	24546	C4-1/8-TO=3242-F
A19R46	0698-4471	6		RESISTOR 7.15K 1% .125W F TC=0+-100	03292	C4-1/8-TO-7151-F
A19R47	0698-4431	8		RESISTOR 2.05K 1% .125W F TC=0+-100	03292	C4-1/8-TO-2051-F
A19R48	0698-4453	4		RESISTOR 402 1% .125W F TC=0+-100	24546	C4-1/8-TO-402R-F

See introduction to this section for ordering information  
 \*Indicates factory selected value

**Table 9-3. Replaceable Parts (Cont'd)**

Reference Designation	HP Part Number	C D	Qty	Description	Mfr Code	Mfr Part Number
A19R49	0683-2025	1		RESISTOR 2K 5% .25W FC TC=-400/+700	01121	CB2025
A19R50	0683-2025	1		RESISTOR 2K 5% .25W FC TC=-400/+700	01121	CB2025
A19R51	0683-2025	1		RESISTOR 2K 5% .25W FC TC=-400/+700	19701	(CR-25) 1-4-5P-2K
A19R52	0683-2025	1		RESISTOR 2K 5% .25W FC TC=-400/+700	19701	(CR-25) 1-4-5P-2K
A19R53	0683-2425	5		RESISTOR 2.4K 5% .25W FC TC=-400/+700	01121	CB2425
A19R54	0683-5125	8		RESISTOR 5.1K 5% .25W FC TC=-400/+700	01121	CB5125
A19R55	0683-1015	7		RESISTOR 100 5% .25W FC TC=-400/+500	01121	CB1015
A19R56	0683-1035	1		RESISTOR 10K 5% .25W FC TC=-400/+700	01121	CB1035
A19R57	0698-4506	8		RESISTOR 73.2K 1% .125W F TC=0+-100	03292	C4-1/8-T0-7822-F
A19R58	0698-4492	1		RESISTOR 32.4K 1% .125W F TC=0+-100	03592	C4-1/8-T0-3242-F
A19R59	0698-4471	6		RESISTOR 7.15K 1% .125W F TC=0+-100	03292	C4-1/8-T0-7151-F
A19R60	0698-4431	8		RESISTOR 2.05K 1% .125W F TC=0+-100	03292	C4-1/8-T0-2051-F
A19R61	0698-4453	4		RESISTOR 402 1% .125W F TC=0+-100	24546	C4-1/8-T0-402R-F
A19R62	0683-2025	1		RESISTOR 2K 5% .25W FC TC=-400/+700	01121	CB2025
A19R63	0683-2025	1		RESISTOR 2K 5% .25W FC TC=-400/+700	01121	CB2025
A19R64	0683-2025	1		RESISTOR 2K 5% .25W FC TC=-400/+700	19701	(CR-25) 1-4-5P-2K
A19R65	0683-2025	1		RESISTOR 2K 5% .25W FC TC=-400/+700	19701	(CR-25) 1-4-5P-2K
A19R66	0683-1045	3		RESISTOR 100K 5% .25W FC TC=-400/+800	01121	CB1045
A19R67	0683-1045	3		RESISTOR 100K 5% .25W FC TC=-400/+800	01121	CB1045
A19R68	0683-1045	3		RESISTOR 100K 5% .25W FC TC=-400/+800	01121	CB1045
A19R69	0683-1045	3		RESISTOR 100K 5% .25W FC TC=-400/+800	01121	CB1045
A19R70	0683-1015	7		RESISTOR 100 5% .25W FC TC=-400/+500	01121	CB1015
A19R71	0698-4443	2	1	RESISTOR 4.53K 1% .125W F TC=0+-100	24546	C4-1/8-T0-4531-F
A19R72	0683-1015	7		RESISTOR 100 5% .25W FC TC=-400/+500	01121	CB1015
A19R73	0683-1015	7		RESISTOR 100 5% .25W FC TC=-400/+500	01121	CB1015
A19R74	0683-1025	9		RESISTOR 1K 5% .25W FC TC=-400/+600	01121	CB1025
A19R75	0683-4745	6	1	RESISTOR 470K 5% .25W FC TC=-800/+900	01121	CB4745
A19R76	0683-3025	3		RESISTOR 3K 5% .25W FC TC=-400/+700	01121	CB3025
A19R77	0683-4715	0	1	RESISTOR 470 5% .25W FC TC=-400/+600	01121	CB4715
A19R78	0757-0280	3	1	RESISTOR 1K 1% .125W F TC=0+-100	24546	C4-1/8-T0-1001-F
A19R79	0683-6825	7	1	RESISTOR 6.8K 5% .25W FC TC=-400/+700	01121	CB6825
A19R80	0683-1015	7		RESISTOR 100 5% .25W FC TC=-400/+500	01121	CB1015
A19R81	0683-1015	7		RESISTOR 100 5% .25W FC TC=-400/+500	01121	CB1015
A19R82	0683-2025	1		RESISTOR 2K 5% .25W FC TC=-400/+700	01121	CB2025
A19R84*	0698-3262	1		RESISTOR 40.2 1% .125W F TC=0+-100	24546	C4-1/8-T0-4022-F
A19R84*	0698-4387	3		RESISTOR 60.4 1% .125W F TC=0+-100	24546	C4-1/8-T0-60R4-F
A19R84*	0757-0277	8		RESISTOR 49.9 1% .125W F TC=0+-100	24546	C4-1/8-T0-4992-F
A19R84*	0757-0346	2		RESISTOR 10 1% .125W F TC=0+-100	24546	C4-1/8-T0-10R0-F
A19R84*	0757-0384	8		RESISTOR 20 1% .125W F TC=0+-100	19701	MF4C1/8-T0-20R0-F
A19R84*	0757-0388	2		RESISTOR 30.1 1% .125W F TC=0+-100	24546	C4-1/8-T0-30R1-F
A19R85	0698-3510	2	2	RESISTOR 453 1% .125W F TC=0+-100	24546	C4-1/8-T0-453R-F
A19R86*	0698-3262	1		RESISTOR 40.2 1% .125W F TC=0+-100	24546	C4-1/8-T0-4022-F
A19R86*	0698-4387	3		RESISTOR 60.4 1% .125W F TC=0+-100	24546	C4-1/8-T0-60R4-F
A19R86*	0757-0277	8		RESISTOR 49.9 1% .125W F TC=0+-100	24546	C4-1/8-T0-4992-F
A19R86*	0757-0346	2		RESISTOR 10 1% .125W F TC=0+-100	24546	C4-1/8-T0-10R0-F
A19R86*	0757-0384	8		RESISTOR 20 1% .125W F TC=0+-100	19701	MF4C1/8-T0-20R0-F
A19R86*	0757-0388	2		RESISTOR 30.1 1% .125W F TC=0+-100	24546	C4-1/8-T0-30R1-F
A19R87	0698-3510	2		RESISTOR 453 1% .125W F TC=0+-100	24546	C4-1/8-T0-453R-F
A19R88	0683-1025	9		RESISTOR 1K 5% .25W FC TC=-400/+600	01121	CB1025
A19R89	0683-1025	9		RESISTOR 1K 5% .25W FC TC=-400/+600	01121	CB1025
A19R90	0683-1025	9		RESISTOR 1K 5% .25W FC TC=-400/+600	01121	CB1025
A19R91	0683-1025	9		RESISTOR 1K 5% .25W FC TC=-400/+600	01121	CB1025
A19R92	0683-1025	9		RESISTOR 1K 5% .25W FC TC=-400/+600	01121	CB1025
A19R93	0683-4705	8		RESISTOR 47 5% .25W FC TC=-400/+500	01121	CB4705
A19R94	0683-4705	8		RESISTOR 47 5% .25W FC TC=-400/+500	01121	CB4705
A19R95	0683-1015	7		RESISTOR 100 5% .25W FC TC=-400/+500	01121	CB1015
A19R96	0757-0436	1	1	RESISTOR 4.32K 1% .125W F TC=0+-100	24546	C4-1/8-T0-4321-F
A19R97	0698-4464	7	1	RESISTOR 887 1% .125W F TC=0+-100	24546	C4-1/8-T0-887R-F
A19R98	0683-1035	1		RESISTOR 10K 5% .25W FC TC=-400/+700	01121	CB1035
A19R99	0683-1015	7		RESISTOR 100 5% .25W FC TC=-400/+500	01121	CB1015
A19R100	0683-1015	7		RESISTOR 100 5% .25W FC TC=-400/+500	01121	CB1015
A19R101	0683-1015	7		RESISTOR 100 5% .25W FC TC=-400/+500	01121	CB1015
A19R102	0683-1015	7		RESISTOR 100 5% .25W FC TC=-400/+500	01121	CB1015
A19R103	0683-1015	7		RESISTOR 100 5% .25W FC TC=-400/+500	01121	CB1015
A19R143	0683-1835	9	1	RESISTOR 18K 5% .25W FC TC=-400/+800	01121	CB2835

See introduction to this section for ordering information  
 \*Indicates factory selected value

Table 9-3. Replaceable Parts (Cont'd)

Reference Designation	HP Part Number	C D	Qty	Description	Mfr Code	Mfr Part Number
A19RT1	0839-0026	9	1	THERMISTOR DISC 10K-OHM TC=-4.4%/C-DEG	28480	0839-0026
A19RT2	0837-0050	5	1	THERMISTOR DISC 1K-OHM TC=-4.4%/C-DEG	28480	0837-0050
A19RT3	0837-0086	7		THERMISTOR DISC 200-OHM TC=-4.4%/C-DEG	28480	0837-0086
A19RT4	0837-0086	7		THERMISTOR DISC 200-OHM TC=-4.4%/C-DEG	28480	0837-0086
A19T1	9100-3262	5		TRANSFORMER TRANSFORMER; TOROIDAL PULSE	28480	9100-3262
A19T2	9100-3262	5		TRANSFORMER TRANSFORMER; TOROIDAL PULSE	28480	9100-3262
A19U1	1820-1196	8		IC FF TTL LS D-TYPE POS-EDGE-TRIG COM	01295	SN74LS174N
A19U2	1820-1196	8		IC FF TTL LS D-TYPE POS-EDGE-TRIG COM	01295	SN74LS174N
A19U3	1820-1196	8		IC FF TTL LS D-TYPE POS-EDGE-TRIG COM	01295	SN74LS174N
A19U4	1820-1216	3		IC DCDR TTL LS 3-TO-8-LINE 3-INP	01295	SN74LS138N
A19U5	1820-1195	7		IC FF TTL LS D-TYPE POS-EDGE-TRIG COM	01295	SN74LS175N
A19U6	1826-0846	5		IC SWITCH ANLG QUAD 16-DIP-C PKG	27014	LF13332D
A19U7	1826-0846	5		IC SWITCH ANLG QUAD 16-DIP-C PKG	27014	LF13332D
A19U8	1826-0846	5		IC SWITCH ANLG QUAD 16-DIP-C PKG	27014	LF13332D
A19U9	1826-0846	5		IC SWITCH ANLG QUAD 16-DIP-C PKG	27014	LF13332D
A19U10	1820-1971	7	1	IC SWITCH ANLG QUAD 16-DIP-P	17856	DG201CJ
A19Y1-Y2				NOT ASSIGNED		
A19Y3				PART OF MATCHED SET(SEE A17 PARTS LIST)		
A19Y4				PART OF MATCHED SET(SEE A17 PARTS LIST)		
A19Y5				A19 MISCELLANEOUS PARTS		
	1400-0249	0		CABLE TIE .062-.625-DIA .091-WD NYL	28480	1400-0249
	1480-0116	8		PIN-CRV .062-IN-DIA .25-IN-LG STL	28480	1480-0116
	0403-0211	1		EXTR=PC BD BRN POLYC .062-80-TMKNS	28480	0403-0211
	0403-0219	9		EXTR=PC BD WHT POLYC .062-80-TMKNS	28480	0403-0219
	1251-0600	0	1	CONNECTOR=SGL CONT PIN 1.14-MM-BSC-82 SQ	28480	1251-0600
	6960-0080	8	9	PLUG-HOLE FL-HD FOR .185-D-HOLE TFE	98291	119-0052-00-0-009

See introduction to this section for ordering information  
 \*Indicates factory selected value

Table 9-3. Replaceable Parts (Cont'd)

Reference Designation	HP Part Number	C D	Qty	Description	Mfr Code	Mfr Part Number
					80103	LAG-1815
A21	03585-66521	6	1	90/10 MHZ/REFERENCE DIVIDER	28480	03585-66521
A21C1	0160-1746	5	28	CAPACITOR-FXD 15UF+-10% 20VDC TA	56289	150D156X902082
A21C2	0160-3847	9		CAPACITOR-FXD .01UF +100-0% 50VDC CER	28480	0160-3847
A21C3	0160-3847	9		CAPACITOR-FXD .01UF +100-0% 50VDC CER	28480	0160-3847
A21C4	0160-2200	6		CAPACITOR-FXD 43PF +-5% 300VDC MICA	28480	0160-2200
A21C5	0160-2200	6		CAPACITOR-FXD 43PF +-5% 300VDC MICA	28480	0160-2200
A21C6	0160-3847	9		CAPACITOR-FXD .01UF +100-0% 50VDC CER	28480	0160-3847
A21C7	0160-3847	9		CAPACITOR-FXD .01UF +100-0% 50VDC CER	28480	0160-3847
A21C8	0160-3847	9		CAPACITOR-FXD .01UF +100-0% 50VDC CER	28480	0160-3847
A21C9	0160-3847	9		CAPACITOR-FXD .01UF +100-0% 50VDC CER	28480	0160-3847
A21C10	0160-3847	9		CAPACITOR-FXD .01UF +100-0% 50VDC CER	28480	0160-3847
A21C11	0160-3847	9		CAPACITOR-FXD .01UF +100-0% 50VDC CER	28480	0160-3847
A21C12	0160-4383	0	2	CAPACITOR-FXD 6.8PF +-5PF 200VDC CER	28480	0160-4383
A21C13	0160-3847	9		CAPACITOR-FXD .01UF +100-0% 50VDC CER	28480	0160-3847
A21C14	0160-4383	0		CAPACITOR-FXD 6.8PF +-5PF 200VDC CER	28480	0160-4383
A21C15	0160-3847	9		CAPACITOR-FXD .01UF +100-0% 50VDC CER	28480	0160-3847
A21C16	0140-0190	7		CAPACITOR-FXD 39PF +-5% 300VDC MICA	72136	DM15E390J0300HV1CR
A21C17	0160-2202	8	9	CAPACITOR-FXD 75PF +-5% 300VDC MICA	28480	0160-2202
A21C18	0160-3878	6		CAPACITOR-FXD 1000PF +-20% 100VDC CER	28480	0160-3878
A21C19	0160-3878	6		CAPACITOR-FXD 1000PF +-20% 100VDC CER	28480	0160-3878
A21C20	0160-0576	5		CAPACITOR-FXD .1UF +-20% 50VDC CER	28480	0160-0576
A21C21	0160-0576	5		CAPACITOR-FXD .1UF +-20% 50VDC CER	28480	0160-0576
A21C22	0160-3847	9		CAPACITOR-FXD .01UF +100-0% 50VDC CER	28480	0160-3847
A21C23	0140-0207	7	1	CAPACITOR-FXD 330PF +-5% 500VDC MICA	72136	DM15F331J0500HV1CR
A21C24	0160-2206	2	1	CAPACITOR-FXD 160PF +-5% 300VDC MICA	28480	0160-2206
A21C25	0160-3847	9		CAPACITOR-FXD .01UF +100-0% 50VDC CER	28480	0160-3847
A21C26	0160-3847	9		CAPACITOR-FXD .01UF +100-0% 50VDC CER	28480	0160-3847
A21C27	0160-3847	9		CAPACITOR-FXD .01UF +100-0% 50VDC CER	28480	0160-3847
A21C28	0160-3847	9		CAPACITOR-FXD .01UF +100-0% 50VDC CER	28480	0160-3847
A21C29	0160-3847	9		CAPACITOR-FXD .01UF +100-0% 50VDC CER	28480	0160-3847
A21C30	0160-3847	9		CAPACITOR-FXD .01UF +100-0% 50VDC CER	28480	0160-3847
A21C31	0160-3847	9		CAPACITOR-FXD .01UF +100-0% 50VDC CER	28480	0160-3847
A21C32	0160-3847	9		CAPACITOR-FXD .01UF +100-0% 50VDC CER	28480	0160-3847
A21C33	0160-2201	7	2	CAPACITOR-FXD 51PF +-5% 300VDC MICA	28480	0160-2201
A21C34	0160-3847	9		CAPACITOR-FXD .01UF +100-0% 50VDC CER	28480	0160-3847
A21C35	0160-2201	7		CAPACITOR-FXD 51PF +-5% 300VDC MICA	28480	0160-2201

See introduction to this section for ordering information  
 \*Indicates factory selected value



**Table 9-3. Replaceable Parts (Cont'd)**

Reference Designation	HP Part Number	C D	Qty	Description	Mfr Code	Mfr Part Number	
A21C36	0180-1746	5	2	CAPACITOR-FXD 15UF+10% 20VDC TA	56289	150D156X9020B2	
A21C37	0160-0576	5		CAPACITOR-FXD .1UF +-20% 50VDC CER	28480	0160-0576	
A21C38	0160-0576	5		CAPACITOR-FXD .1UF +-20% 50VDC CER	28480	0160-0576	
A21C41	0180-1746	5		CAPACITOR-FXD 15UF+10% 20VDC TA	56289	150D156X9020B2	
A21C42	0160-2306	3		CAPACITOR-FXD 27PF +-5% 300VDC MICA	28480	0160-2306	
A21C43	0160-3847	9		CAPACITOR-FXD .01UF +100-0% 50VDC CER	28480	0160-3847	
A21C50	0160-3847	9		CAPACITOR-FXD .01UF +100-0% 50VDC CER	28480	0160-3847	
A21C51	0140-0199	6		CAPACITOR-FXD 240PF +-5% 300VDC MICA	72136	DM15F241J0300WV1CR	
A21C52	0160-3847	9		CAPACITOR-FXD .01UF +100-0% 50VDC CER	28480	0160-3847	
A21C53	0160-3847	9		CAPACITOR-FXD .01UF +100-0% 50VDC CER	28480	0160-3847	
A21C54	0160-3847	9		CAPACITOR-FXD .01UF +100-0% 50VDC CER	28480	0160-3847	
A21C55	0140-0191	8		CAPACITOR-FXD 56PF +-5% 300VDC MICA	72136	DM15E560J0300WV1CR	
A21C56	0160-3875	3		CAPACITOR-FXD 22PF +-5% 200VDC CER 0+=30	28480	0160-3875	
A21C57	0160-3875	3	CAPACITOR-FXD 22PF +-5% 200VDC CER 0+=30	28480	0160-3875		
A21C58	0140-0196	3	CAPACITOR-FXD 150PF +-5% 300VDC MICA	72136	DM15F151J0300WV1CR		
A21C60	0160-0174	9	CAPACITOR-FXD .47UF +80-20% 25VDC CER	28480	0160-0174		
A21C61	0160-0174	9	CAPACITOR-FXD .47UF +80-20% 25VDC CER	28480	0160-0174		
A21C62	0180-1746	5	CAPACITOR-FXD 15UF+10% 20VDC TA	56289	150D156X9020B2		
A21C63	0160-0174	9	CAPACITOR-FXD .47UF +80-20% 25VDC CER	28480	0160-0174		
A21C64	0180-0116	1	CAPACITOR-FXD 6.8UF+10% 35VDC TA	56289	150D885X9035B2		
A21C65	0160-0576	5	CAPACITOR-FXD .1UF +-20% 50VDC CER	28480	0160-0576		
A21CR1	1901-0535	9	7	DIODE-SCHOTTKY	28480	1901-0535	
A21CR2	0122-0072	6		DIODE-VVC 2.2PF 5% C3/C25-MIN#4.5	04713	BB105B	
A21CR5	1901-0040	1		DIODE-SWITCHING 30V 50MA 2NS DO-35	28480	1901-0040	
A21CR6	1901-0040	1		DIODE-SWITCHING 30V 50MA 2NS DO-35	28480	1901-0040	
A21CR7	1901-0040	1		DIODE-SWITCHING 30V 50MA 2NS DO-35	28480	1901-0040	
A21CR8	1901-0040	1		DIODE-SWITCHING 30V 50MA 2NS DO-35	28480	1901-0040	
A21CR9	1901-0040	1		DIODE-SWITCHING 30V 50MA 2NS DO-35	28480	1901-0040	
A21CR10	1901-0040	1		DIODE-SWITCHING 30V 50MA 2NS DO-35	28480	1901-0040	
A21CR11	1901-0040	1		DIODE-SWITCHING 30V 50MA 2NS DO-35	28480	1901-0040	
A21CR12	1901-0040	1		DIODE-SWITCHING 30V 50MA 2NS DO-35	28480	1901-0040	
A21J1	1250-1512	3		45	CONNECTOR-RF SMB M PC 50-OHM	28480	1250-1512
A21J2	1250-1512	3			CONNECTOR-RF SMB M PC 50-OHM	28480	1250-1512
A21J3	1250-1512	3	CONNECTOR-RF SMB M PC 50-OHM		28480	1250-1512	
A21J4	1250-1512	3	CONNECTOR-RF SMB M PC 50-OHM		28480	1250-1512	
A21J5	1250-1512	3	CONNECTOR-RF SMB M PC 50-OHM		28480	1250-1512	
A21J6	1250-1512	3	CONNECTOR-RF SMB M PC 50-OHM		28480	1250-1512	
A21J7	1250-1512	3	CONNECTOR-RF SMB M PC 50-OHM		28480	1250-1512	
A21J8	1250-1512	3	CONNECTOR-RF SMB M PC 50-OHM		28480	1250-1512	
A21J9	1250-1512	3	CONNECTOR-RF SMB M PC 50-OHM		28480	1250-1512	
A21J10	1250-1314	3	CONNECTOR-RF 3M-8LD FEM PC 50-OHM		28480	1250-1314	
A21J11	1250-1314	3	CONNECTOR-RF 3M-8LD FEM PC 50-OHM	28480	1250-1314		
A21L1	9100-1618	1	10	COIL-MLD 5.6UH 10% Q#45 .155DX, 375LG-NOM	28480	9100-1618	
A21L2	9100-2255	4		COIL-MLD 470NH 10% Q#35 .095DX, 25LG-NOM	28480	9100-2255	
A21L3	9140-0144	0		COIL-MLD 4.7UH 10% Q#45 .095DX, 25LG-NOM	28480	9140-0144	
A21L4	9100-2247	4		COIL-MLD 100NH 10% Q#34 .095DX, 25LG-NOM	28480	9100-2247	
A21L5	9140-0144	0		COIL-MLD 4.7UH 10% Q#45 .095DX, 25LG-NOM	28480	9140-0144	
A21L6	9140-0144	0		COIL-MLD 4.7UH 10% Q#45 .095DX, 25LG-NOM	28480	9140-0144	
A21L7	9140-0144	0		COIL-MLD 4.7UH 10% Q#45 .095DX, 25LG-NOM	28480	9140-0144	
A21L8	9140-0144	0		COIL-MLD 4.7UH 10% Q#45 .095DX, 25LG-NOM	28480	9140-0144	
A21L9	9100-2255	4		COIL-MLD 470NH 10% Q#35 .095DX, 25LG-NOM	28480	9100-2255	
A21L10	9140-0144	0		COIL-MLD 4.7UH 10% Q#45 .095DX, 25LG-NOM	28480	9140-0144	
A21L11	9100-2255	4		COIL-MLD 470NH 10% Q#35 .095DX, 25LG-NOM	28480	9100-2255	
A21L12	9140-0144	0		COIL-MLD 4.7UH 10% Q#45 .095DX, 25LG-NOM	28480	9140-0144	
A21L13	9100-2247	4		COIL-MLD 100NH 10% Q#34 .095DX, 25LG-NOM	28480	9100-2247	
A21L14	9140-0144	0		COIL-MLD 4.7UH 10% Q#45 .095DX, 25LG-NOM	28480	9140-0144	
A21L20	9140-0144	0		COIL-MLD 4.7UH 10% Q#45 .095DX, 25LG-NOM	28480	9140-0144	
A21L21	9140-0144	0		COIL-MLD 4.7UH 10% Q#45 .095DX, 25LG-NOM	28480	9140-0144	
A21L22	9140-0142	8		COIL-MLD 2.2UH 10% Q#32 .095DX, 25LG-NOM	28480	9140-0142	
A21L23	9100-1618	1		COIL-MLD 5.6UH 10% Q#45 .155DX, 375LG-NOM	28480	9100-1618	
A21L24	9140-0144	0		COIL-MLD 4.7UH 10% Q#45 .095DX, 25LG-NOM	28480	9140-0144	
A21L25	9140-0144	0	COIL-MLD 4.7UH 10% Q#45 .095DX, 25LG-NOM	28480	9140-0144		
A21L26	9140-0144	0	COIL-MLD 4.7UH 10% Q#45 .095DX, 25LG-NOM	28480	9140-0144		
A21L27	9140-0144	0	COIL-MLD 4.7UH 10% Q#45 .095DX, 25LG-NOM	28480	9140-0144		
A21L28	9140-0144	0	COIL-MLD 4.7UH 10% Q#45 .095DX, 25LG-NOM	28480	9140-0144		
A21L29	9140-0144	0	COIL-MLD 4.7UH 10% Q#45 .095DX, 25LG-NOM	28480	9140-0144		
A21L30	9140-0144	0	COIL-MLD 4.7UH 10% Q#45 .095DX, 25LG-NOM	28480	9140-0144		
A21L31	9140-0144	0	COIL-MLD 4.7UH 10% Q#45 .095DX, 25LG-NOM	28480	9140-0144		
A21L32	9140-0144	0	COIL-MLD 4.7UH 10% Q#45 .095DX, 25LG-NOM	28480	9140-0144		
A21L41	9100-1618	1	COIL-MLD 5.6UH 10% Q#45 .155DX, 375LG-NOM	28480	9100-1618		
A21L42	9140-0158	6	COIL-MLD 1UH 10% Q#32 .095DX, 25LG-NOM	28480	9140-0158		
A21L50	9140-0144	0	COIL-MLD 4.7UH 10% Q#45 .095DX, 25LG-NOM	28480	9140-0144		
A21L51	9140-0158	6	COIL-MLD 1UH 10% Q#32 .095DX, 25LG-NOM	28480	9140-0158		
A21L52	9140-0144	0	COIL-MLD 4.7UH 10% Q#45 .095DX, 25LG-NOM	28480	9140-0144		
A21L53	9140-0210	1	COIL-MLD 100UH 5% Q#50 .155DX, 375LG-NOM	28480	9140-0210		
A21L54	9100-1618	1	COIL-MLD 5.6UH 10% Q#45 .155DX, 375LG-NOM	28480	9100-1618		
A21L55	9100-2258	7	COIL-MLD 1.2UH 10% Q#32 .095DX, 25LG-NOM	28480	9100-2258		

See introduction to this section for ordering information  
 \*Indicates factory selected value

**Table 9-3. Replaceable Parts (Cont'd)**

Reference Designation	HP Part Number	C D	Qty	Description	Mfr Code	Mfr Part Number
A21L56	9140-0158	6		COIL-MLD 1UH 10X Q=32 .095DX.25LG=NOM	28480	9140-0158
A21Q1	1853-0354	7	12	TRANSISTOR PNP SI TO-92 PD=350MW	28480	1853-0354
A21Q2	1853-0203	5		TRANSISTOR PNP SI TO-18 PD=360MW	28480	1853-0203
A21Q3	1853-0203	5		TRANSISTOR PNP SI TO-18 PD=360MW	28480	1853-0203
A21Q4	1853-0203	5		TRANSISTOR PNP SI TO-18 PD=360MW	28480	1853-0203
A21Q5	1853-0010	2		TRANSISTOR PNP SI TO-18 PD=360MW	28480	1853-0010
A21Q6	1853-0010	2	13	TRANSISTOR PNP SI TO-18 PD=360MW	28480	1853-0010
A21Q7	1853-0010	2		TRANSISTOR PNP SI TO-18 PD=360MW	28480	1853-0010
A21Q8	1853-0010	2		TRANSISTOR PNP SI TO-18 PD=360MW	28480	1853-0010
A21Q9	1853-0010	2		TRANSISTOR PNP SI TO-18 PD=360MW	28480	1853-0010
A21Q10	1853-0010	2		TRANSISTOR PNP SI TO-18 PD=360MW	28480	1853-0010
A21Q11	1853-0010	2	22	TRANSISTOR PNP SI TO-18 PD=360MW	28480	1853-0010
A21Q12	1853-0010	2		TRANSISTOR PNP SI TO-18 PD=360MW	28480	1853-0010
A21Q13	1853-0089	5		TRANSISTOR PNP 2N4917 SI PD=200MW	07263	2N4917
A21Q14	1853-0089	5		TRANSISTOR PNP 2N4917 SI PD=200MW	07263	2N4917
A21Q15	1853-0010	2		TRANSISTOR PNP SI TO-18 PD=360MW	28480	1853-0010
A21Q16	1855-0062	8	1	TRANSISTOR J-FET N-CHAN D-MODE SI	28480	1855-0062
A21Q17	1854-0009	1	1	TRANSISTOR NPN 2N709 SI TO-18 PD=300MW	04713	2N709
A21R1	0683-1025	9		RESISTOR 1K 5% .25W FC TC=-400/+600	01121	CB1025
A21R2	0683-1025	9		RESISTOR 1K 5% .25W FC TC=-400/+600	01121	CB1025
A21R3	0683-4705	8		RESISTOR 47 5% .25W FC TC=-400/+500	01121	CB4705
A21R4	0683-4705	8		RESISTOR 47 5% .25W FC TC=-400/+500	01121	CB4705
A21R5	0683-4705	8		RESISTOR 47 5% .25W FC TC=-400/+500	01121	CB4705
A21R6	0683-4705	8		RESISTOR 47 5% .25W FC TC=-400/+500	01121	CB4705
A21R7	0683-4715	0		RESISTOR 470 5% .25W FC TC=-400/+600	01121	CB4715
A21R8	0683-6815	5		RESISTOR 680 5% .25W FC TC=-400/+600	01121	CB6815
A21R9	0683-6815	5		RESISTOR 680 5% .25W FC TC=-400/+600	01121	CB6815
A21R10	0683-6815	5		RESISTOR 680 5% .25W FC TC=-400/+600	01121	CB6815
A21R11	0683-3315	4	4	RESISTOR 330 5% .25W FC TC=-400/+600	01121	CB3315
A21R12	0683-3315	4		RESISTOR 330 5% .25W FC TC=-400/+600	01121	CB3315
A21R13	0683-1805	3		RESISTOR 18 5% .25W FC TC=-400/+500	01121	CB1805
A21R14	0683-1805	3		RESISTOR 18 5% .25W FC TC=-400/+500	01121	CB1805
A21R15	0683-1805	3		RESISTOR 18 5% .25W FC TC=-400/+500	01121	CB1805
A21R16	0683-6815	5		RESISTOR 680 5% .25W FC TC=-400/+600	01121	CB6815
A21R17	0683-6815	5		RESISTOR 680 5% .25W FC TC=-400/+600	01121	CB6815
A21R18	0683-6815	5		RESISTOR 680 5% .25W FC TC=-400/+600	01121	CB6815
A21R19	0683-6815	5		RESISTOR 680 5% .25W FC TC=-400/+600	01121	CB6815
A21R20	0683-4715	0		RESISTOR 470 5% .25W FC TC=-400/+600	01121	CB4715
A21R21	0683-3905	8	4	RESISTOR 39 5% .25W FC TC=-400/+500	01121	CB3905
A21R22	0683-6815	5		RESISTOR 680 5% .25W FC TC=-400/+600	01121	CB6815
A21R23	0683-4715	0		RESISTOR 470 5% .25W FC TC=-400/+600	01121	CB4715
A21R24	0683-3905	8		RESISTOR 39 5% .25W FC TC=-400/+500	01121	CB3905
A21R25	0683-6815	5		RESISTOR 680 5% .25W FC TC=-400/+600	01121	CB6815
A21R26	0683-1025	9		RESISTOR 1K 5% .25W FC TC=-400/+600	01121	CB1025
A21R30	0683-6815	5		RESISTOR 680 5% .25W FC TC=-400/+600	01121	CB6815
A21R31	0683-6815	5		RESISTOR 680 5% .25W FC TC=-400/+600	01121	CB6815
A21R32	0683-4715	0		RESISTOR 470 5% .25W FC TC=-400/+600	01121	CB4715
A21R33	0683-1025	9		RESISTOR 1K 5% .25W FC TC=-400/+600	01121	CB1025
A21R34	0683-1025	9		RESISTOR 1K 5% .25W FC TC=-400/+600	01121	CB1025
A21R35	0683-1025	9		RESISTOR 1K 5% .25W FC TC=-400/+600	01121	CB1025
A21R36	0683-1025	9		RESISTOR 1K 5% .25W FC TC=-400/+600	01121	CB1025
A21R38	0683-4715	0		RESISTOR 470 5% .25W FC TC=-400/+600	01121	CB4715
A21R39	0683-1015	7		RESISTOR 100 5% .25W FC TC=-400/+500	01121	CB1015
A21R40	0683-4715	0		RESISTOR 470 5% .25W FC TC=-400/+600	01121	CB4715
A21R41	0683-1025	9		RESISTOR 1K 5% .25W FC TC=-400/+600	01121	CB1025
A21R42	0683-1025	9		RESISTOR 1K 5% .25W FC TC=-400/+600	01121	CB1025
A21R43	0683-1025	9		RESISTOR 1K 5% .25W FC TC=-400/+600	01121	CB1025
A21R44	0683-1025	9		RESISTOR 1K 5% .25W FC TC=-400/+600	01121	CB1025
A21R45	0683-1025	9		RESISTOR 1K 5% .25W FC TC=-400/+600	01121	CB1025
A21R46	0683-1025	9		RESISTOR 1K 5% .25W FC TC=-400/+600	01121	CB1025
A21R47	0683-1025	9		RESISTOR 1K 5% .25W FC TC=-400/+600	01121	CB1025
A21R48	0683-4705	8		RESISTOR 47 5% .25W FC TC=-400/+500	01121	CB4705
A21R49	0683-4705	8		RESISTOR 47 5% .25W FC TC=-400/+500	01121	CB4705
A21R50	0683-1025	9		RESISTOR 1K 5% .25W FC TC=-400/+600	01121	CB1025
A21R51	0683-1025	9		RESISTOR 1K 5% .25W FC TC=-400/+600	01121	CB1025
A21R52	0683-1025	9		RESISTOR 1K 5% .25W FC TC=-400/+600	01121	CB1025
A21R53	0683-1025	9		RESISTOR 1K 5% .25W FC TC=-400/+600	01121	CB1025
A21R54	0683-4705	8		RESISTOR 47 5% .25W FC TC=-400/+500	01121	CB4705
A21R55	0683-4705	8		RESISTOR 47 5% .25W FC TC=-400/+500	01121	CB4705
A21R56	0683-1025	9		RESISTOR 1K 5% .25W FC TC=-400/+600	01121	CB1025
A21R57	0683-1025	9		RESISTOR 1K 5% .25W FC TC=-400/+600	01121	CB1025
A21R58	0683-4715	0		RESISTOR 470 5% .25W FC TC=-400/+600	01121	CB4715
A21R59	0683-3905	8		RESISTOR 39 5% .25W FC TC=-400/+500	01121	CB3905

See introduction to this section for ordering information  
 \*Indicates factory selected value

Table 9-3. Replaceable Parts (Cont'd)

Reference Designation	HP Part Number	C D	Qty	Description	Mfr Code	Mfr Part Number
A21R60	0683-1025	9		RESISTOR 1K 5% .25W FC TC=-400/+600	01121	CB1025
A21R61	0683-1025	9		RESISTOR 1K 5% .25W FC TC=-400/+600	01121	CB1025
A21R62	0683-1025	9		RESISTOR 1K 5% .25W FC TC=-400/+600	01121	CB1025
A21R63	0683-4715	0		RESISTOR 470 5% .25W FC TC=-400/+600	01121	CB4715
A21R64	0683-3905	8		RESISTOR 39 5% .25W FC TC=-400/+500	01121	CB3905
A21R65	0683-1805	3		RESISTOR 18 5% .25W FC TC=-400/+500	01121	CB1805
A21R66	0683-4705	8		RESISTOR 47 5% .25W FC TC=-400/+500	01121	CB4705
A21R72	0683-1025	9		RESISTOR 1K 5% .25W FC TC=-400/+600	01121	CB1025
A21R73	0683-4705	8		RESISTOR 47 5% .25W FC TC=-400/+500	01121	CB4705
A21R74	0683-1025	9		RESISTOR 1K 5% .25W FC TC=-400/+600	01121	CB1025
A21R75	0683-4705	8		RESISTOR 47 5% .25W FC TC=-400/+500	01121	CB4705
A21R76	0683-4715	0		RESISTOR 470 5% .25W FC TC=-400/+600	01121	CB4715
A21R77	0683-2225	3		RESISTOR 2.2K 5% .25W FC TC=-400/+700	01121	CB2225
A21R78	0683-1015	7		RESISTOR 100 5% .25W FC TC=-400/+500	01121	CB1015
A21R79	0683-2215	1		RESISTOR 220 5% .25W FC TC=-400/+600	01121	CB2215
A21R80	0683-2205	9		RESISTOR 22 5% .25W FC TC=-400/+500	01121	CB2205
A21R81	0683-2205	9		RESISTOR 22 5% .25W FC TC=-400/+500	01121	CB2205
A21R82	0683-1015	7		RESISTOR 100 5% .25W FC TC=-400/+500	01121	CB1015
A21R83	0683-4715	0		RESISTOR 470 5% .25W FC TC=-400/+600	01121	CB4715
A21R84	0683-4705	8		RESISTOR 47 5% .25W FC TC=-400/+500	01121	CB4705
A21R85	0683-4715	0		RESISTOR 470 5% .25W FC TC=-400/+600	01121	CB4715
A21R86	0683-4705	8		RESISTOR 47 5% .25W FC TC=-400/+500	01121	CB4705
A21R87	0683-3305	2		RESISTOR 33 5% .25W FC TC=-400/+500	01121	CB3305
A21R88	0683-2225	3		RESISTOR 2.2K 5% .25W FC TC=-400/+700	01121	CB2225
A21R89	0683-4705	8		RESISTOR 47 5% .25W FC TC=-400/+500	01121	CB4705
A21R100	0683-4705	8		RESISTOR 47 5% .25W FC TC=-400/+500	01121	CB4705
A21R101	0683-1025	9		RESISTOR 1K 5% .25W FC TC=-400/+600	01121	CB1025
A21R102	0683-1025	9		RESISTOR 1K 5% .25W FC TC=-400/+600	01121	CB1025
A21R103	0683-4705	8		RESISTOR 47 5% .25W FC TC=-400/+500	01121	CB4705
A21R104	0683-2215	1		RESISTOR 220 5% .25W FC TC=-400/+600	01121	CB2215
A21R105	0683-1025	9		RESISTOR 1K 5% .25W FC TC=-400/+600	01121	CB1025
A21R106	0683-1015	7		RESISTOR 100 5% .25W FC TC=-400/+500	01121	CB1015
A21R107	0683-1015	7		RESISTOR 100 5% .25W FC TC=-400/+500	01121	CB1015
A21R108	0683-2715	6		RESISTOR 270 5% .25W FC TC=-400/+600	01121	CB2715
A21R109	0683-3315	4		RESISTOR 330 5% .25W FC TC=-400/+600	01121	CB3315
A21R110	0683-1025	9		RESISTOR 1K 5% .25W FC TC=-400/+600	01121	CB1025
A21R111	0683-2715	6		RESISTOR 270 5% .25W FC TC=-400/+600	01121	CB2715
A21R112	0683-6825	7		RESISTOR 6.8K 5% .25W FC TC=-400/+700	01121	CB6825
A21R113	0683-2715	6		RESISTOR 270 5% .25W FC TC=-400/+600	01121	CB2715
A21R114	0683-1025	9		RESISTOR 1K 5% .25W FC TC=-400/+600	01121	CB1025
A21R115	0683-3315	4		RESISTOR 330 5% .25W FC TC=-400/+600	01121	CB3315
A21R116	0683-1515	2	6	RESISTOR 150 5% .25W FC TC=-400/+600	01121	CB1515
A21R117	0683-4715	0		RESISTOR 470 5% .25W FC TC=-400/+600	01121	CB4715
A21R118	0683-4715	0		RESISTOR 470 5% .25W FC TC=-400/+600	01121	CB4715
A21R119	0683-1025	9		RESISTOR 1K 5% .25W FC TC=-400/+600	01121	CB1025
A21R120	0683-1025	9		RESISTOR 1K 5% .25W FC TC=-400/+600	01121	CB1025
A21R121	0683-6805	3		RESISTOR 68 5% .25W FC TC=-400/+500	01121	CB6805
A21R122	0683-2245	7		RESISTOR 220K 5% .25W FC TC=-800/+900	01121	CB2245
A21R123	0683-1045	3		RESISTOR 100K 5% .25W FC TC=-400/+800	01121	CB1045
A21R124	0698-4486	3	5	RESISTOR 24.9K 1% .125W F TC=0+/-100	24546	C4-1/8-T0-2492-F
A21R125	2100-3274	2	3	RESISTOR-TRMR 10K 10% C SIDE-ADJ 1-TRN	28480	2100-3274
A21R126	0698-3228	9	3	RESISTOR 49.9K 1% .125W F TC=0+/-100	28480	0698-3228
A21R127	0683-1055	5		RESISTOR 1M 5% .25W FC TC=-800/+900	01121	CB1055
A21R128	0683-1055	5		RESISTOR 1M 5% .25W FC TC=-800/+900	01121	CB1055
A21R129	0683-2735	0	3	RESISTOR 27K 5% .25W FC TC=-400/+800	01121	CB2735
A21R130	0683-2245	7		RESISTOR 220K 5% .25W FC TC=-800/+900	01121	CB2245
A21R131	0683-1025	9		RESISTOR 1K 5% .25W FC TC=-400/+600	01121	CB1025
A21R132	0683-1025	9		RESISTOR 1K 5% .25W FC TC=-400/+600	01121	CB1025
A21R133	0683-2245	7		RESISTOR 220K 5% .25W FC TC=-800/+900	01121	CB2245
A21R134	0683-1055	5		RESISTOR 1M 5% .25W FC TC=-800/+900	01121	CB1055
A21R135	0698-4486	3		RESISTOR 24.9K 1% .125W F TC=0+/-100	24546	C4-1/8-T0-2492-F
A21R136	0757-0270	1	1	RESISTOR 249K 1% .125W F TC=0+/-100	24546	C4-1/8-T0-2493-F
A21R140	0683-4715	0		RESISTOR 470 5% .25W FC TC=-400/+600	01121	CB4715
A21T1	9100-4039	6		TRANSFORMER-POWER	28480	9100-4039
A21T2	08552-6044	1		TRANSFORMER	28480	08552-6044
A21T3	08552-6044	1		TRANSFORMER	28480	08552-6044
A21TP1-A21TP26	0360-0124	3	2	CONNECTOR=3GL CONT PIN .04-IN=BSC-SZ RND	28480	0360-0124
A21U1	1820-0810	1	5	IC RCVR ECL LINE RCVR TPL 2-INP	04713	MC10116P
A21U2	1820-0806	5	13	IC GATE ECL OR-NOR DUAL 4-5-INP	04713	MC10109P
A21U3	1820-0806	5		IC GATE ECL OR-NOR DUAL 4-5-INP	04713	MC10109P
A21U4	1820-0806	5		IC GATE ECL OR-NOR DUAL 4-5-INP	04713	MC10109P
A21U5	1820-0806	5		IC GATE ECL OR-NOR DUAL 4-5-INP	04713	MC10109P

See introduction to this section for ordering information  
 \*Indicates factory selected value

Table 9-3. Replaceable Parts (Cont'd)

Reference Designation	HP Part Number	C D	Qty	Description	Mfr Code	Mfr Part Number
A21U6	1820-0817	8	13	IC FF ECL D-M/S DUAL	04713	MC10131P
A21U7	1820-0817	8		IC FF ECL D-M/S DUAL	04713	MC10131P
A21U8	1820-0806	5		IC GATE ECL OR-NOR DUAL 4-5-INP	04713	MC10109P
A21U9	1820-0810	1		IC RCVR ECL LINE RCVR TPL 2-INP	04713	MC10116P
A21U10	1820-0806	5		IC GATE ECL OR-NOR DUAL 4-5-INP	04713	MC10109P
A21U11	1820-0806	5		IC GATE ECL OR-NOR DUAL 4-5-INP	04713	MC10109P
A21U12	1820-0806	5		IC GATE ECL OR-NOR DUAL 4-5-INP	04713	MC10109P
A21U13	1820-0806	5		IC GATE ECL OR-NOR DUAL 4-5-INP	04713	MC10109P
A21U14	1820-0803	2	3	IC GATE ECL OR-NOR TPL	04713	MC10105P
A21U15	1820-0693	8	3	IC FF TTL S D-TYPE POS-EDGE-TRIG	01295	SN74874N
A21U16	1820-1442	7	2	IC CNTR TTL LS DECD ASYNCHRO	01295	SN74L8290N
A21U17	1820-1442	7		IC CNTR TTL LS DECD ASYNCHRO	01295	SN74L8290N
A21U18	1820-0686	9	2	IC GATE TTL S AND TPL 3-INP	01295	SN74811N
A21U23	1820-0803	2		IC GATE ECL OR-NOR TPL	04713	MC10105P
A21U24	1826-0111	7		OP AMP GP DUAL TO-99	04713	MC1458G
A21U25	1826-0065	0	1	COMPARATOR PRCN 8-DIP-P	01295	SN72311P
A21Y1	0410-1141	3	1	CRYSTAL, 89.99 MHZ	28480	0410-1141
A21 MISCELLANEOUS PARTS						
	03585-04107	4	1	COVER, 21	28480	03585-04107
	0370-2583	3	14	KNOB	28480	0370-2583
	5001-0173	7	7	PC GROUND CLIP	28480	5001-0173
	2950-0078	9	37	NUT-HEX-DBL-CHAM 10-32-THD .067-IN-TMK	28480	2950-0078
	0683-1025	9		RESISTOR 1K 5% .25W FC TC=-400/+600	19701	(CR-25) 1-4-5P-1K
	2190-0124	4	45	WASHER-LK INTL T NO. 10 .195-IN-ID	28480	2190-0124
	0683-1805	3		RESISTOR 18 5% .25W FC TC=-400/+500	19701	(CR-25) 1-4-5P-18E
A22	03585-66522	7	1	1ST LD VOLTAGE CONTROLLED OSCILLATOR	28480	03585-66522
A22C1	0150-0050	9		CAPACITOR-FXD 1000PF +80-20% 1KVDC CER	28480	0150-0050
A22C2	0150-0050	9		CAPACITOR-FXD 1000PF +80-20% 1KVDC CER	28480	0150-0050
A22C3	0160-2202	8		CAPACITOR-FXD 75PF +-5% 300VDC MICA	28480	0160-2202
A22C4	0160-2202	8		CAPACITOR-FXD 75PF +-5% 300VDC MICA	28480	0160-2202
A22C5	0160-2202	8		CAPACITOR-FXD 75PF +-5% 300VDC MICA	28480	0160-2202
A22C7	0150-0050	9		CAPACITOR-FXD 1000PF +80-20% 1KVDC CER	28480	0150-0050
A22C8	0150-0050	9		CAPACITOR-FXD 1000PF +80-20% 1KVDC CER	28480	0150-0050
A22C9	0160-2199	2		CAPACITOR-FXD 30PF +-5% 300VDC MICA	28480	0160-2199
A22C10	0150-0050	9		CAPACITOR-FXD 1000PF +80-20% 1KVDC CER	28480	0150-0050
A22C13	0160-2204	0		CAPACITOR-FXD 100PF +-5% 300VDC MICA	28480	0160-2204
A22C14	0150-0050	9		CAPACITOR-FXD 1000PF +80-20% 1KVDC CER	28480	0150-0050
A22C15	0150-0050	9		CAPACITOR-FXD 1000PF +80-20% 1KVDC CER	28480	0150-0050
A22C16	0150-0050	9		CAPACITOR-FXD 1000PF +80-20% 1KVDC CER	28480	0150-0050
A22C17	0150-0050	9		CAPACITOR-FXD 1000PF +80-20% 1KVDC CER	28480	0150-0050
A22C18	0150-0050	9		CAPACITOR-FXD 1000PF +80-20% 1KVDC CER	28480	0150-0050
A22C19	0150-0050	9		CAPACITOR-FXD 1000PF +80-20% 1KVDC CER	28480	0150-0050
A22C20	0150-0050	9		CAPACITOR-FXD 1000PF +80-20% 1KVDC CER	28480	0150-0050
A22C21	0150-0050	9		CAPACITOR-FXD 1000PF +80-20% 1KVDC CER	28480	0150-0050
A22C22	0150-0050	9		CAPACITOR-FXD 1000PF +80-20% 1KVDC CER	28480	0150-0050
A22C23	0150-0050	9		CAPACITOR-FXD 1000PF +80-20% 1KVDC CER	28480	0150-0050
A22C24	0150-0050	9		CAPACITOR-FXD 1000PF +80-20% 1KVDC CER	28480	0150-0050
A22C25	0150-0050	9		CAPACITOR-FXD 1000PF +80-20% 1KVDC CER	28480	0150-0050
A22C26	0150-0050	9		CAPACITOR-FXD 1000PF +80-20% 1KVDC CER	28480	0150-0050
A22C27	0150-0050	9		CAPACITOR-FXD 1000PF +80-20% 1KVDC CER	28480	0150-0050
A22C31	0150-0093	0		CAPACITOR-FXD .01UF +80-20% 100VDC CER	28480	0150-0093
A22C32	0150-0050	9		CAPACITOR-FXD 1000PF +80-20% 1KVDC CER	28480	0150-0050
A22C33	0180-1746	5		CAPACITOR-FXD 15UF +-10% 20VDC TA	56289	150D156X9020B2
A22C34	0150-0093	0		CAPACITOR-FXD .01UF +80-20% 100VDC CER	28480	0150-0093
A22C35	0180-1746	5		CAPACITOR-FXD 15UF +-10% 20VDC TA	56289	150D156X9020B2
A22C36	0160-2940	1	2	CAPACITOR-FXD 470PF +-5% 300VDC MICA	28480	0160-2940
A22C37	0160-2207	3	2	CAPACITOR-FXD 300PF +-5% 300VDC MICA	28480	0160-2207
A22C38	0160-2672	6	2	CAPACITOR-FXD .047UF +-5% 80VDC POLYE	28480	0160-2672
A22C39	0160-4386	3	2	CAPACITOR-FXD 33PF +-5% 200VDC CER 0+30	51642	200-200-NPO-330J
A22C40	0160-4386	3	2	CAPACITOR-FXD 33PF +-5% 200VDC CER 0+30	51642	200-200-NPO-330J
A22CR1	0122-0089	5	9	DIODE-VVC 29PF 10X C3/C25-MIN=5 BVR=30V	04713	MV109
A22CR2	0122-0089	5		DIODE-VVC 29PF 10X C3/C25-MIN=5 BVR=30V	04713	MV109
A22CR3	1901-0535	9		DIODE-SCHOTTKY	28480	1901-0535
A22CR4	1902-3054	5	3	DIODE-ZNR 3.65V 5X DO-7 PDI=4W TC=-.055X	28480	1902-3054
A22CR5	1901-0040	1		DIODE-SWITCHING 30V 50MA 2NS DO-35	28480	1901-0040
A22J1	1250-1512	3		CONNECTOR-RF 8MB M PC 50-OHM	28480	1250-1512
A22J2	1250-1512	3		CONNECTOR-RF 8MB M PC 50-OHM	28480	1250-1512
A22J3	1250-1512	3		CONNECTOR-RF 8MB M PC 50-OHM	28480	1250-1512
A22L1	9100-3900	8	2	COIL-FIXED COIL ASSY; 3 TURNS	28480	9100-3900
A22L2	9100-2255	4		COIL-MLD 470NH 10X Q=35 .095DX.25LG-NOM	28480	9100-2255
A22L3	9100-2255	4		COIL-MLD 470NH 10X Q=35 .095DX.25LG-NOM	28480	9100-2255
A22L4	9100-1620	5	11	COIL-MLD 15UH 10X Q=65 .1550X.375LG-NOM	28480	9100-1620
A22L5	9100-1620	5		COIL-MLD 15UH 10X Q=65 .1550X.375LG-NOM	28480	9100-1620

See introduction to this section for ordering information  
 \*Indicates factory selected value

**Table 9-3. Replaceable Parts (Cont'd)**

Reference Designation	HP Part Number	C D	Qty	Description	Mfr Code	Mfr Part Number
A22L7	9140-0210	1		INDUCTOR RF-CH-MLD 100UH 5% .166DX.385LG	24226	15/103
A22L8	9140-0142	8		COIL=MLD 2.2UH 10% Q=32 .095DX.25LG-NOM	28480	9140-0142
A22L10	9140-0131	5		COIL=MLD 10MH 5% Q=80 .24DX.74LG-NOM	28480	9140-0131
A22L11	9140-0210	1		COIL=MLD 100UH 5% Q=50 .155DX.375LG-NOM	28480	9140-0210
A22L12	9100-2247	4		COIL=MLD 100NH 10% Q=34 .095DX.25LG-NOM	28480	9100-2247
A22L13	9100-2247	4		COIL=MLD 100NH 10% Q=34 .095DX.25LG-NOM	28480	9100-2247
A22Q1	1854-0345	8	40	TRANSISTOR NPN 2N5179 SI TO-72 PD=200MW	04713	2N5179
A22Q2	1854-0345	8		TRANSISTOR NPN 2N5179 SI TO-72 PD=200MW	04713	2N5179
A22Q3	1854-0071	7		TRANSISTOR NPN SI PD=300MW FT=200MHZ	28460	1854-0071
A22Q5	1854-0345	8		TRANSISTOR NPN 2N5179 SI TO-72 PD=200MW	04713	2N5179
A22Q6	1854-0345	8		TRANSISTOR NPN 2N5179 SI TO-72 PD=200MW	04713	2N5179
A22Q7	1854-0345	8		TRANSISTOR NPN 2N5179 SI TO-72 PD=200MW	04713	2N5179
A22Q8	1854-0345	8		TRANSISTOR NPN 2N5179 SI TO-72 PD=200MW	04713	2N5179
A22Q9	1854-0345	8		TRANSISTOR NPN 2N5179 SI TO-72 PD=200MW	04713	2N5179
A22Q10	1854-0345	8		TRANSISTOR NPN 2N5179 SI TO-72 PD=200MW	04713	2N5179
A22Q11	1854-0345	8		TRANSISTOR NPN 2N5179 SI TO-72 PD=200MW	04713	2N5179
A22R1	0757-0401	0		RESISTOR 100 1% .125W F TC=0+/-100	24546	C4-1/8-T0-101-F
A22R2	0683-1035	1		RESISTOR 10K 5% .25W FC TC=-400/+700	01121	CB1035
A22R3	0683-2205	9		RESISTOR 22 5% .25W FC TC=-400/+500	01121	CB2205
A22R4	0683-5125	8		RESISTOR 5.1K 5% .25W FC TC=-400/+700	01121	CB5125
A22R5	0683-1235	3		RESISTOR 12K 5% .25W FC TC=-400/+800	01121	CB1235
A22R6	0683-1235	3		RESISTOR 12K 5% .25W FC TC=-400/+800	01121	CB1235
A22R7	0683-2205	9		RESISTOR 22 5% .25W FC TC=-400/+500	01121	CB2205
A22R9	0683-0705	8		RESISTOR 47 5% .25W FC TC=-400/+500	01121	CB4705
A22R17	0683-1035	1		RESISTOR 10K 5% .25W FC TC=-400/+700	01121	CB1035
A22R18	0683-0705	8		RESISTOR 47 5% .25W FC TC=-400/+500	01121	CB4705
A22R19	0683-1035	1		RESISTOR 10K 5% .25W FC TC=-400/+700	01121	CB1035
A22R20	0683-7515	4		RESISTOR 750 5% .25W FC TC=-400/+600	01121	CB7515
A22R21	0683-1015	7		RESISTOR 100 5% .25W FC TC=-400/+500	01121	CB1015
A22R22	0683-5615	1	2	RESISTOR 560 5% .25W FC TC=-400/+600	01121	CB5615
A22R23	0683-0705	8		RESISTOR 47 5% .25W FC TC=-400/+500	01121	CB4705
A22R24	0683-5625	3	9	RESISTOR 5.6K 5% .25W FC TC=-400/+700	01121	CB5625
A22R25	0683-5625	3		RESISTOR 5.6K 5% .25W FC TC=-400/+700	01121	CB5625
A22R26	0683-3315	4		RESISTOR 330 5% .25W FC TC=-400/+600	01121	CB3315
A22R27	0683-0705	8		RESISTOR 47 5% .25W FC TC=-400/+500	01121	CB4705
A22R28	0683-2725	8	22	RESISTOR 2.7K 5% .25W FC TC=-400/+700	01121	CB2725
A22R29	0683-0715	0		RESISTOR 470 5% .25W FC TC=-400/+600	01121	CB4715
A22R30	0683-0705	8		RESISTOR 47 5% .25W FC TC=-400/+500	01121	CB4705
A22R31	0683-2025	1		RESISTOR 2K 5% .25W FC TC=-400/+700	01121	CB2025
A22R32	0683-0705	8		RESISTOR 47 5% .25W FC TC=-400/+500	01121	CB4705
A22R33	0683-2725	8		RESISTOR 2.7K 5% .25W FC TC=-400/+700	01121	CB2725
A22R34	0683-0705	8		RESISTOR 47 5% .25W FC TC=-400/+500	01121	CB4705
A22R35	0683-3325	6		RESISTOR 3.3K 5% .25W FC TC=-400/+700	01121	CB3325
A22R36	0683-0705	8		RESISTOR 47 5% .25W FC TC=-400/+500	01121	CB4705
A22R37	0683-2205	9		RESISTOR 22 5% .25W FC TC=-400/+500	01121	CB2205
A22R38	0683-2205	9		RESISTOR 22 5% .25W FC TC=-400/+500	01121	CB2205
A22R39	0683-3315	4		RESISTOR 330 5% .25W FC TC=-400/+600	01121	CB3315
A22R40	0683-0705	8		RESISTOR 47 5% .25W FC TC=-400/+500	01121	CB4705
A22R41	0683-2025	1		RESISTOR 2K 5% .25W FC TC=-400/+700	01121	CB2025
A22R42	0683-0705	8		RESISTOR 47 5% .25W FC TC=-400/+500	01121	CB4705
A22R43	0683-2725	8		RESISTOR 2.7K 5% .25W FC TC=-400/+700	01121	CB2725
A22R44	0683-0705	8		RESISTOR 47 5% .25W FC TC=-400/+500	01121	CB4705
A22R45	0683-3325	6		RESISTOR 3.3K 5% .25W FC TC=-400/+700	01121	CB3325
A22R46	0683-0705	8		RESISTOR 47 5% .25W FC TC=-400/+500	01121	CB4705
A22R47	0683-2205	9		RESISTOR 22 5% .25W FC TC=-400/+500	01121	CB2205
A22R48	0683-6205	7	1	RESISTOR 62 5% .25W FC TC=-400/+500	01121	CB6205
A22R49	0683-3315	4		RESISTOR 330 5% .25W FC TC=-400/+600	01121	CB3315
A22R50	0683-2025	1		RESISTOR 2K 5% .25W FC TC=-400/+700	01121	CB2025
A22R51	0698-4452	3	2	RESISTOR 374 1% .125W F TC=0+/-100	24546	C4-1/8-T0-374R-F
A22R52	0757-0450	9	1	RESISTOR 22.1K 1% .125W F TC=0+/-100	24546	C4-1/8-T0-2212-F
A22R53	0683-6825	7		RESISTOR 6.8K 5% .25W FC TC=-400/+700	01121	CB6825
A22R54	0683-2025	1		RESISTOR 2K 5% .25W FC TC=-400/+700	01121	CB2025
A22R55	0698-3279	0		RESISTOR 4.99K 1% .125W F TC=0+/-100	24546	C4-1/8-T0-4991-F
A22R56	0757-0442	9		RESISTOR 10K 1% .125W F TC=0+/-100	24546	C4-1/8-T0-1002-F
A22R57	0683-3325	6		RESISTOR 3.3K 5% .25W FC TC=-400/+700	01121	CB3325
A22TP1	0360-0124	3		CONNECTOR=SGL CONT PIN .04-IN=89C-SZ RND	28480	0360-0124
A22TP2	0360-0124	3		CONNECTOR=SGL CONT PIN .04-IN=89C-SZ RND	28480	0360-0124
				<b>A22 MISCELLANEOUS PARTS</b>		
	03585-05222	6	1	LID, A22	28480	03585-05222
	0370-2583	3		KNOB	28480	0370-2583
	1600-0702	4	2	SHIELD OSC	28480	1600-0702
	2950-0078	9		NUT=HEX-DBL-CHAM 10-32-THD .067-IN=THK	28480	2950-0078

See introduction to this section for ordering information  
 \*Indicates factory selected value

**Table 9-3. Replaceable Parts (Cont'd)**

Reference Designation	HP Part Number	C D	Qty	Description	Mfr Code	Mfr Part Number
	2190-0124	4		WASHER-LK INTL T NO. 10 .195-IN-ID	28480	2190-0124
A23	03585-66523	8	1	STEP 8YN VTO	28480	03585-66523
A23C1	0150-0050	9		CAPACITOR-FXD 1000PF +80-20% 1KVDC CER	28480	0150-0050
A23C2	0150-0050	9		CAPACITOR-FXD 1000PF +80-20% 1KVDC CER	28480	0150-0050
A23C3	0160-2199	2		CAPACITOR-FXD 30PF +-5% 300VDC MICA	28480	0160-2199
A23C4	0160-2202	8		CAPACITOR-FXD 75PF +-5% 300VDC MICA	28480	0160-2202
A23C5	0160-2202	8		CAPACITOR-FXD 75PF +-5% 300VDC MICA	28480	0160-2202
A23C6	0160-2202	8		CAPACITOR-FXD 75PF +-5% 300VDC MICA	28480	0160-2202
A23C9	0160-2204	0		CAPACITOR-FXD 100PF +-5% 300VDC MICA	28480	0160-2204
A23C10	0150-0050	9		CAPACITOR-FXD 1000PF +80-20% 1KVDC CER	28480	0150-0050
A23C11	0150-0050	9		CAPACITOR-FXD 1000PF +80-20% 1KVDC CER	28480	0150-0050
A23C12	0150-0050	9		CAPACITOR-FXD 1000PF +80-20% 1KVDC CER	28480	0150-0050
A23C13	0150-0050	9		CAPACITOR-FXD 1000PF +80-20% 1KVDC CER	28480	0150-0050
A23C14	0150-0050	9		CAPACITOR-FXD 1000PF +80-20% 1KVDC CER	28480	0150-0050
A23C15	0150-0050	9		CAPACITOR-FXD 1000PF +80-20% 1KVDC CER	28480	0150-0050
A23C16	0160-2200	6		CAPACITOR-FXD 43PF +-5% 300VDC MICA	28480	0160-2200
A23C17	0160-2261	9		CAPACITOR-FXD 15PF +-5% 500VDC CER 0+-30	28480	0160-2261
A23C18	0150-0050	9		CAPACITOR-FXD 1000PF +80-20% 1KVDC CER	28480	0150-0050
A23C19	0150-0050	9		CAPACITOR-FXD 1000PF +80-20% 1KVDC CER	28480	0150-0050
A23C20	0150-0050	9		CAPACITOR-FXD 1000PF +80-20% 1KVDC CER	28480	0150-0050
A23C21	0150-0050	9		CAPACITOR-FXD 1000PF +80-20% 1KVDC CER	28480	0150-0050
A23C22	0150-0050	9		CAPACITOR-FXD 1000PF +80-20% 1KVDC CER	28480	0150-0050
A23C23	0150-0050	9		CAPACITOR-FXD 1000PF +80-20% 1KVDC CER	28480	0150-0050
A23C24	0150-0050	9		CAPACITOR-FXD 1000PF +80-20% 1KVDC CER	28480	0150-0050
A23C26	0150-0093	0		CAPACITOR-FXD .01UF +80-20% 100VDC CER	28480	0150-0093
A23C27	0150-0050	9		CAPACITOR-FXD 1000PF +80-20% 1KVDC CER	28480	0150-0050
A23C28	0150-0050	9		CAPACITOR-FXD 1000PF +80-20% 1KVDC CER	28480	0150-0050
A23C29	0150-0050	9		CAPACITOR-FXD 1000PF +80-20% 1KVDC CER	28480	0150-0050
A23C30	0180-1746	5		CAPACITOR-FXD 15UF+-10% 20VDC TA	56289	150D156X902082
A23C31	0150-0050	9		CAPACITOR-FXD 1000PF +80-20% 1KVDC CER	28480	0150-0050
A23C32	0150-0050	9		CAPACITOR-FXD 1000PF +80-20% 1KVDC CER	28480	0150-0050
A23C33	0150-0093	0		CAPACITOR-FXD .01UF +80-20% 100VDC CER	28480	0150-0093
A23C34	0160-2672	6		CAPACITOR-FXD .047UF +-5% 80VDC POLYE	28480	0160-2672
A23C35	0140-0210	2		CAPACITOR-FXD 270PF +-5% 300VDC MICA	72136	DM15F271J0300WV1CR
A23C36	0140-0196	3		CAPACITOR-FXD 150PF +-5% 300VDC MICA	72136	DM15F151J0300WV1CR
A23C40	0180-1746	3		CAPACITOR-FXD 15UF+-10% 20VDC TA	56289	150D156X902082
A23CR1	0122-0089	5		DIODE-VVC 29PF 10% C3/C25-MIN=5 BVR=30V	04713	MV109
A23CR2	0122-0089	5		DIODE-VVC 29PF 10% C3/C25-MIN=5 BVR=30V	04713	MV109
A23CR3	1901-0040	1		DIODE-SWITCHING 30V 50MA 2NS DO-35	28480	1901-0040
A23CR4	1901-0535	9		DIODE-SCHOTTKY	28480	1901-0535
A23CR5	1902-3054	5		DIODE-ZNR 3.65V 5% DO-7 PDR=.4W TC=-.055%	28480	1902-3054
A23J1	1250-1512	3		CONNECTOR-RF SMB M PC 50-OHM	28480	1250-1512
A23J2	1250-1512	3		CONNECTOR-RF SMB M PC 50-OHM	28480	1250-1512
A23J3	1250-1512	3		CONNECTOR-RF SMB M PC 50-OHM	28480	1250-1512
A23L1	9100-3900	8		COIL-FIXED COIL ASSY; 3 TURNS	28480	9100-3900
A23L2	9100-2255	4		COIL=MLD 470NH 10% Q=35 .095DX.25LG-NOM	28480	9100-2255
A23L3	9140-0142	8		COIL=MLD 2.2UH 10% Q=32 .095DX.25LG-NOM	28480	9140-0142
A23L4	9100-2255	4		COIL=MLD 470NH 10% Q=35 .095DX.25LG-NOM	28480	9100-2255
A23L5	9100-2247	4		COIL=MLD 100NH 10% Q=34 .095DX.25LG-NOM	28480	9100-2247
A23L6	9100-2247	4		COIL=MLD 100NH 10% Q=34 .095DX.25LG-NOM	28480	9100-2247
A23L7	9100-1620	5		COIL=MLD 15UH 10% Q=65 .155DX.375LG-NOM	28480	9100-1620
A23L8	9100-1620	5		COIL=MLD 15UH 10% Q=65 .155DX.375LG-NOM	28480	9100-1620
A23L10	9140-0210	1		INDUCTOR RE-CH-MLD 100UH 5% .166DX.385LG	24226	15/103
A23L11	9140-0131	5		COIL=MLD 10MH 5% Q=80 .24DX.74LG-NOM	28480	9140-0131
A23L12	9100-1641	0	4	COIL=MLD 240UH 5% Q=65 .155DX.375LG-NOM	28480	9100-1641
A23Q1	1854-0345	8		TRANSISTOR NPN 2N5179 SI TO-72 PD=200MW	04713	2N5179
A23Q2	1854-0345	8		TRANSISTOR NPN 2N5179 SI TO-72 PD=200MW	04713	2N5179
A23Q3	1854-0345	8		TRANSISTOR NPN 2N5179 SI TO-72 PD=200MW	04713	2N5179
A23Q4	1854-0345	8		TRANSISTOR NPN 2N5179 SI TO-72 PD=200MW	04713	2N5179
A23Q5	1854-0345	8		TRANSISTOR NPN 2N5179 SI TO-72 PD=200MW	04713	2N5179
A23Q6	1854-0345	8		TRANSISTOR NPN 2N5179 SI TO-72 PD=200MW	04713	2N5179
A23Q7	1854-0345	8		TRANSISTOR NPN 2N5179 SI TO-72 PD=200MW	04713	2N5179
A23Q8	1854-0345	8		TRANSISTOR NPN 2N5179 SI TO-72 PD=200MW	04713	2N5179
A23Q9	1854-0345	8		TRANSISTOR NPN 2N5179 SI TO-72 PD=200MW	04713	2N5179
A23Q10	1854-0071	7		TRANSISTOR NPN SI PD=300MW FT=200MHZ	28480	1854-0071
A23R1	0683-1035	1		RESISTOR 10K 5% .25W FC TC=-400/+700	01121	C81035
A23R2	0683-2205	9		RESISTOR 22 5% .25W FC TC=-400/+500	01121	C82205
A23R3	0683-5125	8		RESISTOR 5.1K 5% .25W FC TC=-400/+700	01121	C85125
A23R4	0683-1235	3		RESISTOR 12K 5% .25W FC TC=-400/+800	01121	C81235
A23R5	0683-1235	3		RESISTOR 12K 5% .25W FC TC=-400/+800	01121	C81235
A23R6	0683-2205	9		RESISTOR 22 5% .25W FC TC=-400/+500	01121	C82205
A23R7	0683-2025	1		RESISTOR 2K 5% .25W FC TC=-400/+700	01121	C82025
A23R8	0757-0401	0		RESISTOR 100 1% .125W F TC=0+-100	24546	C4-1/8-T0=101-F
A23R9	0683-4705	8		RESISTOR 47 5% .25W FC TC=-400/+500	01121	C84705
A23R10	0683-1035	1		RESISTOR 10K 5% .25W FC TC=-400/+700	01121	C81035

See introduction to this section for ordering information  
 \*Indicates factory selected value

**Table 9-3. Replaceable Parts (Cont'd)**

Reference Designation	HP Part Number	C D	Qty	Description	Mfr Code	Mfr Part Number
A23R11	0683-1035	1		RESISTOR 10K 5% .25W FC TC=-400/+700	01121	CB1035
A23R12	0683-4705	8		RESISTOR 47 5% .25W FC TC=-400/+500	01121	CB4705
A23R13	0683-7515	4		RESISTOR 750 5% .25W FC TC=-400/+600	01121	CB7515
A23R14	0683-1015	7		RESISTOR 100 5% .25W FC TC=-400/+500	01121	CB1015
A23R15	0683-5615	1		RESISTOR 560 5% .25W FC TC=-400/+600	01121	CB5615
A23R16	0683-4705	8		RESISTOR 47 5% .25W FC TC=-400/+500	01121	CB4705
A23R17	0683-5625	3		RESISTOR 5.6K 5% .25W FC TC=-400/+700	01121	CB5625
A23R18	0683-5625	3		RESISTOR 5.6K 5% .25W FC TC=-400/+700	01121	CB5625
A23R19	0683-3315	4		RESISTOR 330 5% .25W FC TC=-400/+600	01121	CB3315
A23R20	0683-2725	8		RESISTOR 2.7K 5% .25W FC TC=-400/+700	01121	CB2725
A23R21	0683-4705	8		RESISTOR 47 5% .25W FC TC=-400/+500	01121	CB4705
A23R22	0683-4715	0		RESISTOR 470 5% .25W FC TC=-400/+600	01121	CB4715
A23R23	0683-4705	8		RESISTOR 47 5% .25W FC TC=-400/+500	01121	CB4705
A23R24	0683-2025	1		RESISTOR 2K 5% .25W FC TC=-400/+700	01121	CB2025
A23R25	0683-4705	8		RESISTOR 47 5% .25W FC TC=-400/+500	01121	CB4705
A23R26	0683-2725	8		RESISTOR 2.7K 5% .25W FC TC=-400/+700	01121	CB2725
A23R27	0683-4705	8		RESISTOR 47 5% .25W FC TC=-400/+500	01121	CB4705
A23R28	0683-3325	6		RESISTOR 3.3K 5% .25W FC TC=-400/+700	01121	CB3325
A23R29	0683-4705	8		RESISTOR 47 5% .25W FC TC=-400/+500	01121	CB4705
A23R30	0683-2205	9		RESISTOR 22 5% .25W FC TC=-400/+500	01121	CB2205
A23R31	0683-4705	8		RESISTOR 47 5% .25W FC TC=-400/+500	01121	CB4705
A23R32	0683-3315	4		RESISTOR 330 5% .25W FC TC=-400/+600	01121	CB3315
A23R33	0683-4705	8		RESISTOR 47 5% .25W FC TC=-400/+500	01121	CB4705
A23R34	0683-2025	1		RESISTOR 2K 5% .25W FC TC=-400/+700	01121	CB2025
A23R35	0683-4705	8		RESISTOR 47 5% .25W FC TC=-400/+500	01121	CB4705
A23R36	0683-2725	8		RESISTOR 2.7K 5% .25W FC TC=-400/+700	01121	CB2725
A23R37	0683-4705	8		RESISTOR 47 5% .25W FC TC=-400/+500	01121	CB4705
A23R38	0683-3325	6		RESISTOR 3.3K 5% .25W FC TC=-400/+700	01121	CB3325
A23R39	0683-4705	8		RESISTOR 47 5% .25W FC TC=-400/+500	01121	CB4705
A23R40	0683-2205	9		RESISTOR 22 5% .25W FC TC=-400/+500	01121	CB2205
A23R41	0683-4705	8		RESISTOR 47 5% .25W FC TC=-400/+500	01121	CB4705
A23R42	0683-3315	4		RESISTOR 330 5% .25W FC TC=-400/+600	01121	CB3315
A23R50	0757-0446	3	1	RESISTOR 15K 1% .125W F TC=0+-100	24546	C4=1/8-T0=1502-F
A23R51	0698-4452	3		RESISTOR 374 1% .125W F TC=0+-100	24546	C4=1/8-T0=374R-F
A23R52	0683-2025	1		RESISTOR 2K 5% .25W FC TC=-400/+700	01121	CB2025
A23R53	0683-3325	6		RESISTOR 3.3K 5% .25W FC TC=-400/+700	01121	CB3325
A23R54	0698-3155	1	2	RESISTOR 4.64K 1% .125W F TC=0+-100	24546	C4=1/8-T0=4641-F
A23R55	0698-4477	2	1	RESISTOR 10.5K 1% .125W F TC=0+-100	24546	C4=1/8-T0=1052-F
A23R56	0683-6825	7		RESISTOR 6.8K 5% .25W FC TC=-400/+700	01121	CB6825
A23TP1	0360-0124	3		CONNECTOR-SGL CONT PIN .04-IN-BSC-S2 RND	28480	0360-0124
A23TP2	0360-0124	3		CONNECTOR-SGL CONT PIN .04-IN-BSC-S2 RND	28480	0360-0124
A23TP3	0360-0124	3		CONNECTOR-SGL CONT PIN .04-IN-BSC-S2 RND	28480	0360-0124
				<b>A23 MISCELLANEOUS PARTS</b>		
	03585-05223	7	1	LID, A23	28480	03585-05223
	0370-2583	3		KNOB	28480	0370-2583
	1600-0702	4		SHIELD, OSC.	28480	1600-0702
	2950-0078	9		NUT-MEX-DBL-CHAM 10-32-TMD .067-IN-THK	28480	2950-0078
	2190-0124	4		WASHER-LK INTL T NO. 10 .195-IN-ID	28480	2190-0124
A24	03585-66524	9	1	PC ASSEMBLY, BUFFER	28480	03585-66524
A24C1	0150-0050	9		CAPACITOR-FXD 1000PF +80-20% 1KVDC CER	28480	0150-0050
A24C2	0150-0050	9		CAPACITOR-FXD 1000PF +80-20% 1KVDC CER	28480	0150-0050
A24C3	0150-0050	9		CAPACITOR-FXD 1000PF +80-20% 1KVDC CER	28480	0150-0050
A24C4	0150-0050	9		CAPACITOR-FXD 1000PF +80-20% 1KVDC CER	28480	0150-0050
A24C5	0150-0050	9		CAPACITOR-FXD 1000PF +80-20% 1KVDC CER	28480	0150-0050
A24C6	0150-0050	9		CAPACITOR-FXD 1000PF +80-20% 1KVDC CER	28480	0150-0050
A24C7	0150-0050	9		CAPACITOR-FXD 1000PF +80-20% 1KVDC CER	28480	0150-0050
A24C8	0150-0050	9		CAPACITOR-FXD 1000PF +80-20% 1KVDC CER	28480	0150-0050
A24C9	0150-0050	9		CAPACITOR-FXD 1000PF +80-20% 1KVDC CER	28480	0150-0050
A24C10	0150-0050	9		CAPACITOR-FXD 1000PF +80-20% 1KVDC CER	28480	0150-0050
A24C11	0150-0050	9		CAPACITOR-FXD 1000PF +80-20% 1KVDC CER	28480	0150-0050
A24C12	0150-0050	9		CAPACITOR-FXD 1000PF +80-20% 1KVDC CER	28480	0150-0050
A24C14	0150-0050	9		CAPACITOR-FXD 1000PF +80-20% 1KVDC CER	28480	0150-0050
A24C15	0150-0050	9		CAPACITOR-FXD 1000PF +80-20% 1KVDC CER	28480	0150-0050
A24C16	0150-0050	9		CAPACITOR-FXD 1000PF +80-20% 1KVDC CER	28480	0150-0050
A24C17	0150-0050	9		CAPACITOR-FXD 1000PF +80-20% 1KVDC CER	28480	0150-0050
A24C18	0150-0050	9		CAPACITOR-FXD 1000PF +80-20% 1KVDC CER	28480	0150-0050
A24C19	0180-1746	5		CAPACITOR-FXD 150UF+-10% 20VDC 1A	56289	150D156X9020B2
A24C20	0160-3622	8		CAPACITOR-FXD .1UF +80-20% 100VDC CER	26654	2130Y5V100R104Z
A24C21	0160-2200	6		CAPACITOR-FXD 43PF +-5% 300VDC MICA	28480	0160-2200
A24C22	0160-2200	6		CAPACITOR-FXD 43PF +-5% 300VDC MICA	28480	0160-2200
A24C23	0160-4385	2	4	CAPACITOR-FXD 15PF +-5% 200VDC CER 0+-30	28480	0160-4385
A24C24	0160-4385	2		CAPACITOR-FXD 15PF +-5% 200VDC CER 0+-30	28480	0160-4385
A24C25	0160-4382	9	1	CAPACITOR-FXD 3.3PF +-5% 25PF 200VDC CER	28480	0160-4382

See introduction to this section for ordering information  
 \*Indicates factory selected value

### Table 9-3. Replaceable Parts (Cont'd)

Reference Designation	HP Part Number	C D	Qty	Description	Mfr Code	Mfr Part Number
A24C26	0160-4385	2	1	CAPACITOR-FXD 15PF +-5% 200VDC CER 0+-30	28480	0160-4385
A24C27	0160-3875	3		CAPACITOR-FXD 22PF +-5% 200VDC CER 0+-30	28480	0160-3875
A24C28	0160-3873	1		CAPACITOR-FXD 4.7PF +-5% 200VDC CER	28480	0160-3873
A24C29	0150-0050	9		CAPACITOR-FXD 1000PF +80-20% 1KVDC CER	28480	0150-0050
A24C30	0150-0093	0		CAPACITOR-FXD .01UF +80-20% 100VDC CER	28480	0150-0093
A24C31	0160-4386	3		CAPACITOR-FXD 33PF +-5% 200VDC CER 0+-30	51642	200-200-NP0-330J
A24C32	0160-4386	3		CAPACITOR-FXD 33PF +-5% 200VDC CER 0+-30	51642	200-200-NPO-330J
A24C33	0160-4385	2		CAPACITOR-FXD 15PF +-5% 200VDC CER 0+-30	51642	200-200-NPO-150J
A24C34	0160-4385	2		CAPACITOR-FXD 15PF +-5% 200VDC CER 0+-30	51642	200-200-NPO-150J
A24CR1	1901-0040	1			DIODE-SWITCHING 30V 50MA 2NS DO-35	28480
A24J1	1250-1512	3		CONNECTOR-RF SMB M PC 50-OHM	28480	1250-1512
A24J2	1250-1512	3		CONNECTOR-RF SMB M PC 50-OHM	28480	1250-1512
A24J3	1250-1512	3		CONNECTOR-RF SMB M PC 50-OHM	28480	1250-1512
A24J4	1250-1512	3		CONNECTOR-RF SMB M PC 50-OHM	28480	1250-1512
A24L1	9100-1620	5		COIL-MLD 15UH 10% Q#65 .155DX.375LG-NOM	28480	9100-1620
A24L2	9100-1620	5		COIL-MLD 15UH 10% Q#65 .155DX.375LG-NOM	28480	9100-1620
A24L3	9100-1620	5		COIL-MLD 15UH 10% Q#65 .155DX.375LG-NOM	28480	9100-1620
A24L4	9100-1620	5		COIL-MLD 15UH 10% Q#65 .155DX.375LG-NOM	28480	9100-1620
A24L5	9140-0210	1		INDUCTOR RF-CH-MLD 100UH 5% .166DX.385LG	24226	15/103
A24L6	9100-2247	4		COIL-MLD 100NH 10% Q#34 .095DX.25LG-NOM	28480	9100-2247
A24L7	9100-2247	4		COIL-MLD 100NH 10% Q#34 .095DX.25LG-NOM	28480	9100-2247
A24L8	9100-2247	4		COIL-MLD 100NH 10% Q#34 .095DX.25LG-NOM	28480	9100-2247
A24L9	9100-2247	4		COIL-MLD 100NH 10% Q#34 .095DX.25LG-NOM	28480	9100-2247
A24L10	9100-2247	4		COIL-MLD 100NH 10% Q#34 .095DX.25LG-NOM	28480	9100-2247
A24L11	9100-2249	6	1	COIL-MLD 150NH 10% Q#34 .095DX.25LG-NOM	28480	9100-2249
A24L12	9140-0158	6		COIL-MLD 1UH 10% Q#32 .095DX.25LG-NOM	28480	9140-0158
A24L13	9140-0158	6		INDUCTOR RF-CH-MLD 1UH 10% .105DX.26LG	24266	10/101
A24L14	9100-2247	4		INDUCTOR RF-CH-MLD 100NH 10% .105DX.26LG	24266	10/100
A24L15	9100-2247	4		INDUCTOR RF-CH-MLD 100NH 10% .105DX.26LG	24266	10/100
A24Q1	1853-0020	4		TRANSISTOR PNP SI PD=300MW FT=150MHZ	28480	1853-0020
A24Q2	1854-0345	8		TRANSISTOR NPN 2N5179 SI TO-72 PD=200MW	04713	2N5179
A24Q3	1854-0345	8		TRANSISTOR NPN 2N5179 SI TO-72 PD=200MW	04713	2N5179
A24Q4	1854-0345	8		TRANSISTOR NPN 2N5179 SI TO-72 PD=200MW	04713	2N5179
A24Q5	1854-0345	8		TRANSISTOR NPN 2N5179 SI TO-72 PD=200MW	04713	2N5179
A24Q6	1854-0345	8		TRANSISTOR NPN 2N5179 SI TO-72 PD=200MW	04713	2N5179
A24Q7	1854-0345	8		TRANSISTOR NPN 2N5179 SI TO-72 PD=200MW	04713	2N5179
A24Q8	1854-0345	8		TRANSISTOR NPN 2N5179 SI TO-72 PD=200MW	04713	2N5179
A24Q9	1854-0345	8		TRANSISTOR NPN 2N5179 SI TO-72 PD=200MW	04713	2N5179
A24Q10	1854-0345	8		TRANSISTOR NPN 2N5179 SI TO-72 PD=200MW	04713	2N5179
A24R1	0683-2745	2	1	RESISTOR 270K 5% .25W FC TC=-400/+700	01121	CB2745
A24R2	0683-5625	3		RESISTOR 5.6K 5% .25W FC TC=-400/+700	01121	CB5625
A24R3	0683-5625	3		RESISTOR 5.6K 5% .25W FC TC=-400/+700	01121	CB5625
A24R4	0683-4705	8		RESISTOR 47 5% .25W FC TC=-400/+500	01121	CB4705
A24R5	0683-5615	1		RESISTOR 560 5% .25W FC TC=-400/+600	19701	(CR-25) 1-4-5P-560E
A24R7	0683-2725	8		RESISTOR 2.7K 5% .25W FC TC=-400/+700	01121	CB2725
A24R8	0683-3325	5		RESISTOR 3.3K 5% .25W FC TC=-400/+700	01121	CB3325
A24R9	0683-3925	2	9	RESISTOR 3.9K 5% .25W FC TC=-400/+700	01121	CB3925
A24R10	0683-4705	8		RESISTOR 47 5% .25W FC TC=-400/+500	01121	CB4705
A24R11	0683-4705	8		RESISTOR 47 5% .25W FC TC=-400/+500	01121	CB4705
A24R12	0683-3315	4		RESISTOR 330 5% .25W FC TC=-400/+600	01121	CB3315
A24R13	0683-2205	9		RESISTOR 22 5% .25W FC TC=-400/+500	01121	CB2205
A24R14	0683-2205	9		RESISTOR 22 5% .25W FC TC=-400/+500	01121	CB2205
A24R16	0683-2025	1		RESISTOR 2K 5% .25W FC TC=-400/+700	01121	CB2025
A24R17	0683-4705	8		RESISTOR 47 5% .25W FC TC=-400/+500	01121	CB4705
A24R18	0683-2725	8		RESISTOR 2.7K 5% .25W FC TC=-400/+700	01121	CB2725
A24R19	0683-4705	8		RESISTOR 47 5% .25W FC TC=-400/+500	01121	CB4705
A24R20	0683-3325	6		RESISTOR 3.3K 5% .25W FC TC=-400/+700	01121	CB3325
A24R21	0683-4705	8		RESISTOR 47 5% .25W FC TC=-400/+500	01121	CB4705
A24R22	0683-3925	2		RESISTOR 3.9K 5% .25W FC TC=-400/+700	01121	CB3925
A24R23	0683-2215	1		RESISTOR 220 5% .25W FC TC=-400/+600	19701	(CR-25) 1-4-5P-220E
A24R24	0683-1015	7		RESISTOR 100 5% .25W FC TC=-400/+500	01121	CB1015
A24R25	0683-2205	9		RESISTOR 22 5% .25W FC TC=-400/+500	01121	CB2205
A24R26	0683-2205	9		RESISTOR 22 5% .25W FC TC=-400/+500	01121	CB2205
A24R29	0683-2025	1		RESISTOR 2K 5% .25W FC TC=-400/+700	01121	CB2025
A24R30	0683-4705	8		RESISTOR 47 5% .25W FC TC=-400/+500	01121	CB4705
A24R31	0683-2725	8		RESISTOR 2.7K 5% .25W FC TC=-400/+700	01121	CB2725
A24R32	0683-4705	8		RESISTOR 47 5% .25W FC TC=-400/+500	01121	CB4705
A24R33	0683-3325	6		RESISTOR 3.3K 5% .25W FC TC=-400/+700	01121	CB3325
A24R34	0683-3315	4		RESISTOR 330 5% .25W FC TC=-400/+600	01121	CB3315
A24R35	0683-3305	2		RESISTOR 33 5% .25W FC TC=-400/+500	01121	CB3305
A24R36	0683-2205	9		RESISTOR 22 5% .25W FC TC=-400/+500	01121	CB2205
A24R38	0683-4705	8		RESISTOR 47 5% .25W FC TC=-400/+500	01121	CB4705
A24R39	0683-1025	9		RESISTOR 1K 5% .25W FC TC=-400/+600	01121	CB1025
A24R40	0683-7505	2		RESISTOR 75 5% .25W FC TC=-400/+500	01121	CB7505
A24R41	0683-2025	1		RESISTOR 2K 5% .25W FC TC=-400/+700	01121	CB2025
A24R42	0683-4705	8		RESISTOR 47 5% .25W FC TC=-400/+500	01121	CB4705

See introduction to this section for ordering information  
\*Indicates factory selected value



**Table 9-3. Replaceable Parts (Cont'd)**

Reference Designation	HP Part Number	C D	Qty	Description	Mfr Code	Mfr Part Number
	03585-05224	8	1	A24 MISCELLANEOUS PARTS LID, A24	28480	03585-05224
	0370-2583	3		KNOB	28480	0370-2583
	2950-0078	9		NUT=HEX=DBL-CHAM 10-32-THD .067-IN-TMK	28480	2950-0078
	2190-0124	4		WASHER=LK INTL T NO. 10 .195-IN-ID	28480	2190-0124

See introduction to this section for ordering information  
 \*Indicates factory selected value

**Table 9-3. Replaceable Parts (Cont'd)**

Reference Designation	HP Part Number	C D	Qty	Description	Mfr Code	Mfr Part Number
A25	03585-66525	0	1	SM LOOP MIXER	28480	03585-66525
A25C1	0150-0050	9		CAPACITOR-FXD 1000PF +80-20% 1KVDC CER	28480	0150-0050
A25C2	0150-0050	9		CAPACITOR-FXD 1000PF +80-20% 1KVDC CER	28480	0150-0050
A25C3	0150-0050	9		CAPACITOR-FXD 1000PF +80-20% 1KVDC CER	28480	0150-0050
A25C4	0150-0050	9		CAPACITOR-FXD 1000PF +80-20% 1KVDC CER	28480	0150-0050
A25C5	0150-0050	9		CAPACITOR-FXD 1000PF +80-20% 1KVDC CER	28480	0150-0050
A25C6	0150-0050	9		CAPACITOR-FXD 1000PF +80-20% 1KVDC CER	28480	0150-0050
A25C7	0150-0050	9		CAPACITOR-FXD 1000PF +80-20% 1KVDC CER	28480	0150-0050
A25C8	0150-0050	9		CAPACITOR-FXD 1000PF +80-20% 1KVDC CER	28480	0150-0050
A25C9	0150-0050	9		CAPACITOR-FXD 1000PF +80-20% 1KVDC CER	28480	0150-0050
A25C10	0150-0050	9		CAPACITOR-FXD 1000PF +80-20% 1KVDC CER	28480	0150-0050
A25C11	0150-0050	9		CAPACITOR-FXD 1000PF +80-20% 1KVDC CER	28480	0150-0050
A25C12	0150-0050	9		CAPACITOR-FXD 1000PF +80-20% 1KVDC CER	28480	0150-0050
A25C13	0150-0050	9		CAPACITOR-FXD 1000PF +80-20% 1KVDC CER	28480	0150-0050
A25C14	0150-0050	9		CAPACITOR-FXD 1000PF +80-20% 1KVDC CER	28480	0150-0050
A25C15	0160-0363	8	1	CAPACITOR-FXD 620PF +-5% 300VDC MICA	28480	0160-0363
A25C16	0160-0938	3		CAPACITOR-FXD 1000PF +-5% 100VDC MICA	28480	0160-0938
A25C17	0160-2035	5	1	CAPACITOR-FXD 750PF +-5% 300VDC MICA	28480	0160-2035
A25C18	0160-3622	8		CAPACITOR-FXD .1UF +80-20% 100VDC CER	26654	2130Y5V100R104Z
A25C19	0160-3622	8		CAPACITOR-FXD .1UF +80-20% 100VDC CER	26654	2130Y5V100R104Z
A25C20	0160-3622	8		CAPACITOR-FXD .1UF +80-20% 100VDC CER	26654	2130Y5V100R104Z
A25C21	0160-3622	8		CAPACITOR-FXD .1UF +80-20% 100VDC CER	26654	2130Y5V100R104Z
A25C23	0160-3622	8		CAPACITOR-FXD .1UF +80-20% 100VDC CER	26654	2130Y5V100R104Z
A25C24	0180-1746	5		CAPACITOR-FXD 15UF+-10% 20VDC TA	56289	150D156X9020B2
A25C25	0160-3622	8		CAPACITOR-FXD .1UF +80-20% 100VDC CER	26654	2130Y5V100R104Z
A25C26	0180-1746	5		CAPACITOR-FXD 15UF+-10% 20VDC TA	56289	150D156X9020B2
A25C30	0150-0050	9		CAPACITOR-FXD 1000PF +80-20% 1KVDC CER	28480	0150-0050
A25C31	0150-0050	9		CAPACITOR-FXD 1000PF +80-20% 1KVDC CER	28480	0150-0050
A25C32	0180-1746	5		CAPACITOR-FXD 15UF+-10% 20VDC TA	56289	150D156X9020B2
A25C33	0180-1746	5		CAPACITOR-FXD 15UF+-10% 20VDC TA	56289	150D156X9020B2
A25J1	1250-1512	3		CONNECTOR-RF SMB M PC 50-OHM	28480	1250-1512
A25J2	1250-1512	3		CONNECTOR-RF SMB M PC 50-OHM	28480	1250-1512
A25J3	1250-1512	3		CONNECTOR-RF SMB M PC 50-OHM	28480	1250-1512
A25L1	9100-2255	4		COIL-MLD 470NH 10% Q=35 .095DX.25LG-NOM	28480	9100-2255
A25L2	9100-1620	5		COIL-MLD 15UH 10% Q=65 .155DX.375LG-NOM	28480	9100-1620
A25L3	9100-1620	5		COIL-MLD 15UH 10% Q=65 .155DX.375LG-NOM	28480	9100-1620
A25L4	9100-2255	4		COIL-MLD 470NH 10% Q=35 .095DX.25LG-NOM	28480	9100-2255
A25L5	9100-2260	1		COIL-MLD 1.8UH 10% Q=32 .095DX.25LG-NOM	28480	9100-2260
A25L6	9100-2260	1		COIL-MLD 1.8UH 10% Q=32 .095DX.25LG-NOM	28480	9100-2260
A25L9	9140-0210	1		INDUCTOR RF-CH-MLD 100UH 5% .166DX.385LG	24226	15/103
A25L10	9140-0210	1		INDUCTOR RF-CH-MLD 100UH 5% .166DX.385LG	24226	15/103
A25Q1	1854-0345	8		TRANSISTOR NPN 2N5179 SI TO-72 PD=200MW	04713	2N5179
A25Q2	1854-0345	8		TRANSISTOR NPN 2N5179 SI TO-72 PD=200MW	04713	2N5179
A25Q3	1854-0345	8		TRANSISTOR NPN 2N5179 SI TO-72 PD=200MW	04713	2N5179
A25Q4	1854-0345	8		TRANSISTOR NPN 2N5179 SI TO-72 PD=200MW	04713	2N5179
A25Q5	1854-0345	8		TRANSISTOR NPN 2N5179 SI TO-72 PD=200MW	04713	2N5179
A25Q6	1854-0345	8		TRANSISTOR NPN 2N5179 SI TO-72 PD=200MW	04713	2N5179
A25Q7	1854-0215	1		TRANSISTOR NPN SI PD=350MW FT=300MHZ	04713	2N3904
A25Q8	1854-0351	6		TRANSISTOR NPN SI TO-18 PD=360MW	28480	1854-0351
A25R1	0683-4705	8		RESISTOR 47 5% .25W FC TC=-400/+500	01121	C84705
A25R2	0683-6815	5		RESISTOR 680 5% .25W FC TC=-400/+600	01121	C86815
A25R3	0683-1005	5		RESISTOR 10 5% .25W FC TC=-400/+500	01121	C81005
A25R4	0683-6825	7		RESISTOR 6.8K 5% .25W FC TC=-400/+700	01121	C86825
A25R5	0683-6825	7		RESISTOR 6.8K 5% .25W FC TC=-400/+700	01121	C86825
A25R6	0683-2215	1		RESISTOR 220 5% .25W FC TC=-400/+600	01121	C82215
A25R7	0683-2025	1		RESISTOR 2K 5% .25W FC TC=-400/+700	01121	C82025
A25R8	0683-4705	8		RESISTOR 47 5% .25W FC TC=-400/+500	01121	C84705
A25R9	0683-2725	8		RESISTOR 2.7K 5% .25W FC TC=-400/+700	01121	C82725
A25R10	0683-4705	8		RESISTOR 47 5% .25W FC TC=-400/+500	01121	C84705
A25R11	0683-3325	6		RESISTOR 3.3K 5% .25W FC TC=-400/+700	01121	C83325
A25R12	0683-4705	8		RESISTOR 47 5% .25W FC TC=-400/+500	01121	C84705
A25R13	0683-3315	4		RESISTOR 330 5% .25W FC TC=-400/+600	01121	C83315
A25R14	0683-2205	9		RESISTOR 22 5% .25W FC TC=-400/+500	01121	C82205
A25R15	0683-4705	8		RESISTOR 47 5% .25W FC TC=-400/+500	01121	C84705
A25R16	0683-4705	8		RESISTOR 47 5% .25W FC TC=-400/+500	01121	C84705
A25R17	0683-6815	5		RESISTOR 680 5% .25W FC TC=-400/+600	01121	C86815
A25R18	0683-1005	5		RESISTOR 10 5% .25W FC TC=-400/+500	01121	C81005
A25R19	0683-2215	1		RESISTOR 220 5% .25W FC TC=-400/+600	01121	C82215
A25R20	0683-2025	1		RESISTOR 2K 5% .25W FC TC=-400/+700	01121	C82025
A25R21	0683-4705	8		RESISTOR 47 5% .25W FC TC=-400/+500	01121	C84705
A25R22	0683-2725	8		RESISTOR 2.7K 5% .25W FC TC=-400/+700	01121	C82725
A25R23	0683-4705	8		RESISTOR 47 5% .25W FC TC=-400/+500	01121	C84705
A25R24	0683-3325	6		RESISTOR 3.3K 5% .25W FC TC=-400/+700	01121	C83325
A25R25	0683-2205	9		RESISTOR 22 5% .25W FC TC=-400/+500	01121	C82205

See introduction to this section for ordering information  
 \*Indicates factory selected value

Table 9-3. Replaceable Parts (Cont'd)

Reference Designation	HP Part Number	C D	Qty	Description	Mfr Code	Mfr Part Number
A25R26	0683-3315	4		RESISTOR 330 5% .25W FC TC=-400/+600	01121	CB3315
A25R27	0683-2205	9		RESISTOR 22 5% .25W FC TC=-400/+500	01121	CB2205
A25R28	0683-1015	7		RESISTOR 100 5% .25W FC TC=-400/+500	01121	CB1015
A25R29	0683-6825	7		RESISTOR 6.8K 5% .25W FC TC=-400/+700	01121	CB6825
A25R30	0683-6825	7		RESISTOR 6.8K 5% .25W FC TC=-400/+700	01121	CB6825
A25R31	0683-1035	1		RESISTOR 10K 5% .25W FC TC=-400/+700	01121	CB1035
A25R32	0683-4705	8		RESISTOR 47 5% .25W FC TC=-400/+500	01121	CB4705
A25R33	0683-2215	1		RESISTOR 220 5% .25W FC TC=-400/+600	01121	CB2215
A25R34	0683-3925	2		RESISTOR 3.9K 5% .25W FC TC=-400/+700	01121	CB3925
A25R35	0683-2025	1		RESISTOR 2K 5% .25W FC TC=-400/+700	01121	CB2025
A25R36	0683-4705	8		RESISTOR 47 5% .25W FC TC=-400/+500	01121	CB4705
A25R37	0683-2225	3		RESISTOR 2.2K 5% .25W FC TC=-400/+700	01121	CB2225
A25R38	0683-1015	7		RESISTOR 100 5% .25W FC TC=-400/+500	01121	CB1015
A25R50	0683-2025	1		RESISTOR 2K 5% .25W FC TC=-400/+700	01121	CB2025
A25R51	0683-3925	2		RESISTOR 3.9K 5% .25W FC TC=-400/+700	01121	CB3925
A25TP1	0360-0124	3		CONNECTOR=8GL CONT PIN .04-IN=88C-SZ RND	28480	0360-0124
A25TP2	0360-0124	3		CONNECTOR=8GL CONT PIN .04-IN=88C-SZ RND	28480	0360-0124
A25TP3	0360-0124	3		CONNECTOR=8GL CONT PIN .04-IN=88C-SZ RND	28480	0360-0124
A25U1	0955-0087	8	2	DOUBLE BALANCE MIXERS	28480	0955-0087
				A25 MISCELLANEOUS PARTS		
	03585-05225	9	1	LID, A25	28480	03585-05225
	0370-2583	3		KNOB	28480	0370-2583
	5001-0173	7		PC GROUND CLIP	28480	5001-0173
	2950-0078	9		NUT=HEX=8BL=CHAM 10-32=THD .067-IN=THK	28480	2950-0078
	2190-0124	4		WASHER=LK INTL T NO. 10 .195-IN-ID	28480	2190-0124
A26	03585-66526	1	1	STEP PHASE DETECTOR	28480	03585-66526
A26C1	0150-0050	9		CAPACITOR=FXD 1000PF +80-20% 1KVDC CER	28480	0150-0050
A26C2	0150-0050	9		CAPACITOR=FXD 1000PF +80-20% 1KVDC CER	28480	0150-0050
A26C3	0150-0050	9		CAPACITOR=FXD 1000PF +80-20% 1KVDC CER	28480	0150-0050
A26C5	0160-4385	2		CAPACITOR=FXD 15PF +-5% 200VDC CER 0+-30	28480	0160-4385
A26C6	0150-0050	9		CAPACITOR=FXD 1000PF +80-20% 1KVDC CER	28480	0150-0050
A26C7	0150-0050	9		CAPACITOR=FXD 1000PF +80-20% 1KVDC CER	28480	0150-0050
A26C8	0150-0050	9		CAPACITOR=FXD 1000PF +80-20% 1KVDC CER	28480	0150-0050
A26C9	0150-0050	9		CAPACITOR=FXD 1000PF +80-20% 1KVDC CER	28480	0150-0050
A26C10	0150-0050	9		CAPACITOR=FXD 1000PF +80-20% 1KVDC CER	28480	0150-0050
A26C11	0150-0050	9		CAPACITOR=FXD 1000PF +80-20% 1KVDC CER	28480	0150-0050
A26C12	0150-0093	0		CAPACITOR=FXD .01UF +80-20% 100VDC CER	28480	0150-0093
A26C13	0150-0093	0		CAPACITOR=FXD .01UF +80-20% 100VDC CER	28480	0150-0093
A26C14	0160-2202	8		CAPACITOR=FXD 75PF +-5% 300VDC MICA	28480	0160-2202
A26C15	0160-2205	1		CAPACITOR=FXD 120PF +-5% 300VDC MICA	28480	0160-2205
A26C16	0160-2203	9		CAPACITOR=FXD 91PF +-5% 300VDC MICA 0+70	28480	0160-2203
A26C18	0150-0093	0		CAPACITOR=FXD .01UF +80-20% 100VDC CER	28480	0150-0093
A26C20	0150-0093	0		CAPACITOR=FXD .01UF +80-20% 100VDC CER	28480	0150-0093
A26C21	0150-0093	0		CAPACITOR=FXD .01UF +80-20% 100VDC CER	28480	0150-0093
A26C22	0150-0093	0		CAPACITOR=FXD .01UF +80-20% 100VDC CER	28480	0150-0093
A26C23	0150-0093	0		CAPACITOR=FXD .01UF +80-20% 100VDC CER	28480	0150-0093
A26C24	0150-0093	0		CAPACITOR=FXD .01UF +80-20% 100VDC CER	28480	0150-0093
A26C25	0150-0093	0		CAPACITOR=FXD .01UF +80-20% 100VDC CER	28480	0150-0093
A26C26	0150-0093	0		CAPACITOR=FXD .01UF +80-20% 100VDC CER	28480	0150-0093
A26C27	0150-0093	0		CAPACITOR=FXD .01UF +80-20% 100VDC CER	28480	0150-0093
A26C29	0150-0093	0		CAPACITOR=FXD .01UF +80-20% 100VDC CER	28480	0150-0093
A26C30	0160-3622	8		CAPACITOR=FXD .1UF +80-20% 100VDC CER	26654	2130Y5V100R104Z
A26C32	0160-3622	8		CAPACITOR=FXD .1UF +80-20% 100VDC CER	26654	2130Y5V100R104Z
A26C33	0160-3622	8		CAPACITOR=FXD .1UF +80-20% 100VDC CER	26654	2130Y5V100R104Z
A26C34	0160-3622	8		CAPACITOR=FXD .1UF +80-20% 100VDC CER	26654	2130Y5V100R104Z
A26C36	0160-0174	9		CAPACITOR=FXD .47UF +80-20% 25VDC CER	28480	0160-0174
A26C38	0160-3622	8		CAPACITOR=FXD .1UF +80-20% 100VDC CER	26654	2130Y5V100R104Z
A26C43	0180-1746	5		CAPACITOR=FXD 15UF+-10% 20VDC TA	56289	150D156X9020B2
A26C44	0160-3622	8		CAPACITOR=FXD .1UF +80-20% 100VDC CER	26654	2130Y5V100R104Z
A26C45	0180-1746	5		CAPACITOR=FXD 15UF+-10% 20VDC TA	56289	150D156X9020B2
A26C46	0160-3622	8		CAPACITOR=FXD .1UF +80-20% 100VDC CER	26654	2130Y5V100R104Z
A26C47	0180-1746	5		CAPACITOR=FXD 15UF+-10% 20VDC TA	56289	150D156X9020B2
A26C48	0160-3622	8		CAPACITOR=FXD .1UF +80-20% 100VDC CER	26654	2130Y5V100R104Z
A26C50	0150-0093	0		CAPACITOR=FXD .01UF +80-20% 100VDC CER	28480	0150-0093
A26C51	0150-0093	0		CAPACITOR=FXD .01UF +80-20% 100VDC CER	28480	0150-0093
A26C52	0150-0093	0		CAPACITOR=FXD .01UF +80-20% 100VDC CER	28480	0150-0093
A26C53	0150-0093	0		CAPACITOR=FXD .01UF +80-20% 100VDC CER	28480	0150-0093
A26C54	0150-0093	0		CAPACITOR=FXD .01UF +80-20% 100VDC CER	28480	0150-0093
A26C55	0150-0093	0		CAPACITOR=FXD .01UF +80-20% 100VDC CER	28480	0150-0093
A26C56	0150-0093	0		CAPACITOR=FXD .01UF +80-20% 100VDC CER	28480	0150-0093
A26C57	0150-0093	0		CAPACITOR=FXD .01UF +80-20% 100VDC CER	28480	0150-0093

See introduction to this section for ordering information  
 \*Indicates factory selected value

Table 9-3. Replaceable Parts (Cont'd)

Reference Designation	HP Part Number	C D	Qty	Description	Mfr Code	Mfr Part Number
A26C58	0150-0050	9		CAPACITOR-FXD 1000PF +80-20% 1KVDC CER	28480	0150-0050
A26C59	0160-3622	8		CAPACITOR-FXD .1UF +80-20% 100VDC CER	26654	2130Y5V100R104Z
A26C60	0150-0050	9		CAPACITOR-FXD 1000PF +80-20% 1KVDC CER	28480	0150-0050
A26C61	0160-3622	8		CAPACITOR-FXD .1UF +80-20% 100VDC CER	26654	2130Y5V100R104Z
A26C62	0150-0050	9		CAPACITOR-FXD 1000PF +80-20% 1KVDC CER	28480	0150-0050
A26C63	0150-0050	9		CAPACITOR-FXD 1000PF +80-20% 1KVDC CER	28480	0150-0050
A26C64	0160-0127	2		CAPACITOR-FXD 1UF +-20% 25VDC CER	28480	0160-0127
A26C100	0170-0060	3	1	CAPACITOR-FXD .047UF +-10% 400VDC POLYE	84411	663UN47394W2
A26C102	0160-2200	6		CAPACITOR-FXD 43PF +-5% 300VDC MICA	28480	0160-2200
A26C103	0160-3622	8		CAPACITOR-FXD .1UF +80-20% 100VDC CER	26654	2130Y5V100R104Z
A26C104	0160-3622	8		CAPACITOR-FXD .1UF +80-20% 100VDC CER	26654	2130Y5V100R104Z
A26C105	0140-0208	8		CAPACITOR-FXD 680PF +-5% 300VDC MICA	72136	DM15F681J0300WV1CR
A26C106	0160-3622	8		CAPACITOR-FXD .1UF +80-20% 100VDC CER	26654	2130Y5V100R104Z
A26C107	0160-3622	8		CAPACITOR-FXD .1UF +80-20% 100VDC CER	26654	2130Y5V100R104Z
A26C108	0160-3622	8		CAPACITOR-FXD .1UF +80-20% 100VDC CER	26654	2130Y5V100R104Z
A26C109	0160-3622	8		CAPACITOR-FXD .1UF +80-20% 100VDC CER	26654	2130Y5V100R104Z
A26C110	0140-0210	2		CAPACITOR-FXD 270PF +-5% 300VDC MICA	72136	DM15F271J0300WV1CR
A26C111	0180-0197	8		CAPACITOR-FXD 2.2UF+-10% 20VDC TA	56289	150D225X9020A2
A26C112	0180-0197	8		CAPACITOR-FXD 2.2UF+-10% 20VDC TA	56289	150D225X9020A2
A26C113	0180-0197	8		CAPACITOR-FXD 2.2UF+-10% 20VDC TA	56289	150D225X9020A2
A26C114	0140-0196	3		CAPACITOR-FXD 150PF +-5% 300VDC MICA	72136	DM15F151J0300WV1CR
A26C115	0160-3622	8		CAPACITOR-FXD .1UF +80-20% 100VDC CER	26654	2130Y5V100R104Z
A26C116	0160-2199	2		CAPACITOR-FXD 30PF +-5% 300VDC MICA	28480	0160-2199
A26C120	0150-0093	0		CAPACITOR-FXD .01UF +80-20% 100VDC CER	28480	0150-0093
A26C121	0150-0093	0		CAPACITOR-FXD .01UF +80-20% 100VDC CER	28480	0150-0093
A26CR3	1901-0347	1	6	DIODE-SCHOTTKY 8V	28480	1901-0347
A26CR4	1901-0347	1		DIODE-SCHOTTKY 8V	28480	1901-0347
A26CR5	1901-0040	1		DIODE-SWITCHING 30V 50MA 2NS DO-35	28480	1901-0040
A26CR8	1901-0040	1		DIODE-SWITCHING 30V 50MA 2NS DO-35	28480	1901-0040
A26CR100	1901-0040	1		DIODE-SWITCHING 30V 50MA 2NS DO-35	28480	1901-0040
A26CR101	1901-0040	1		DIODE-SWITCHING 30V 50MA 2NS DO-35	28480	1901-0040
A26CR102	1901-0040	1		DIODE-SWITCHING 30V 50MA 2NS DO-35	28480	1901-0040
A26J1	1250-1512	3		CONNECTOR-RF SMB M PC 50-OHM	28480	1250-1512
A26J2	1250-1512	3		CONNECTOR-RF SMB M PC 50-OHM	28480	1250-1512
A26J3	1250-1512	3		CONNECTOR-RF SMB M PC 50-OHM	28480	1250-1512
A26J4	1250-1512	3		CONNECTOR-RF SMB M PC 50-OHM	28480	1250-1512
A26L1	9140-0158	6		COIL-MLD 1UH 10% Q=32 .095DX.25LG-NOM	28480	9140-0158
A26L2	9100-2255	4		COIL-MLD 470NH 10% Q=35 .095DX.25LG-NOM	28480	9100-2255
A26L3	9100-1620	5		COIL-MLD 15UH 10% Q=65 .155DX.375LG-NOM	28480	9100-1620
A26L4	9140-0262	3	2	COIL-MLD 200NH 5% Q=50 .155DX.375LG-NOM	28480	9140-0262
A26L5	9140-0262	3		COIL-MLD 200NH 5% Q=50 .155DX.375LG-NOM	28480	9140-0262
A26L10	9140-0029	0		INDUCTOR 75UH 10% .281DX.375LG Q=10	99848	3100-12-101
A26L11	9140-0029	0		INDUCTOR 75UH 10% .281DX.375LG Q=10	99848	3100-12-101
A26L12	9100-0541	7		COIL-MLD 250UH 10% Q=3 .25DX.5LG-NOM	28480	9100-0541
A26L100	9140-0129	1	1	COIL-MLD 220UH 5% Q=65 .155DX.375LG-NOM	28480	9140-0129
A26L101	9100-1640	9	1	COIL-MLD 160UH 5% Q=65 .155DX.375LG-NOM	28480	9100-1640
A26Q1	1854-0345	8		TRANSISTOR NPN 2N5179 SI TO-72 PD=200MW	04713	2N5179
A26Q2	1854-0345	8		TRANSISTOR NPN 2N5179 SI TO-72 PD=200MW	04713	2N5179
A26Q3	1854-0345	8		TRANSISTOR NPN 2N5179 SI TO-72 PD=200MW	04713	2N5179
A26Q4	1854-0019	3	6	TRANSISTOR NPN SI TO-18 PD=360MW	28480	1854-0019
A26Q5	1853-0203	5		TRANSISTOR PNP SI TO-18 PD=360MW	28480	1853-0203
A26Q6	1853-0203	5		TRANSISTOR PNP SI TO-18 PD=360MW	28480	1853-0203
A26Q7	1853-0203	5		TRANSISTOR PNP SI TO-18 PD=360MW	28480	1853-0203
A26Q8	1853-0203	5		TRANSISTOR PNP SI TO-18 PD=360MW	28480	1853-0203
A26Q9	1854-0019	3		TRANSISTOR NPN SI TO-18 PD=360MW	28480	1854-0019
A26Q10	1854-0071	7		TRANSISTOR NPN SI PD=300MW FT=200MHZ	28480	1854-0071
A26Q11	1853-0086	2	8	TRANSISTOR PNP SI PD=310MW FT=40MHZ	27014	2N5087
A26Q12	1853-0086	2		TRANSISTOR PNP SI PD=310MW FT=40MHZ	27014	2N5087
A26Q13	1854-0345	8		TRANSISTOR NPN 2N5179 SI TO-72 PD=200MW	04713	2N5179
A26Q100	1855-0308	5	2	TRANSISTOR-JFET DUAL N-CHAN D-MODE SI	28480	1855-0308
A26Q101	1854-0215	1		TRANSISTOR NPN SI PD=350MW FT=300MHZ	04713	2N3904
A26Q102	1853-0036	2	12	TRANSISTOR PNP SI PD=310MW FT=250MHZ	28480	1853-0036
A26Q103	1854-0215	1		TRANSISTOR NPN SI PD=350MW FT=300MHZ	04713	2N3904
A26Q104	1854-0215	1		TRANSISTOR NPN SI PD=350MW FT=300MHZ	04713	2N3904
A26Q105	1853-0036	2		TRANSISTOR PNP SI PD=310MW FT=250MHZ	28480	1853-0036
A26Q106	1855-0410	0		TRANSISTOR J-FET N-CHAN D-MODE TO-18 SI	28480	1855-0410
A26Q107	1854-0351	6		TRANSISTOR NPN SI TO-18 PD=360MW	28480	1854-0351
A26Q108	1853-0203	5		TRANSISTOR PNP SI TO-18 PD=360MW	28480	1853-0203
A26Q109	1853-0086	2		TRANSISTOR PNP SI PD=310MW FT=40MHZ	27014	2N5087
A26Q110	1854-0071	7		TRANSISTOR NPN SI PD=300MW FT=200MHZ	28480	1854-0071
A26Q111	1853-0012	4	2	TRANSISTOR PNP 2N2904A SI TO-39 PD=600MW	01295	2N2904A
A26Q112	1854-0215	1		TRANSISTOR NPN SI PD=350MW FT=300MHZ	04713	2N3904
A26R1	0683-4705	8		RESISTOR 47 5% .25W FC TC=-400/+500	01121	C84705
A26R2	0683-6815	5		RESISTOR 680 5% .25W FC TC=-400/+600	01121	C86815
A26R3	0683-4705	8		RESISTOR 47 5% .25W FC TC=-400/+500	01121	C84705
A26R4	0683-6825	7		RESISTOR 6.8K 5% .25W FC TC=-400/+700	01121	C86825
A26R5	0683-6825	7		RESISTOR 6.8K 5% .25W FC TC=-400/+700	01121	C86825

See introduction to this section for ordering information  
\*Indicates factory selected value

Table 9-3. Replaceable Parts (Cont'd)

Reference Designation	HP Part Number	C D	Qty	Description	Mfr Code	Mfr Part Number
A26R6	0683-4715	0		RESISTOR 470 5X .25W FC TC=-400/+600	01121	CB4715
A26R7	0683-4705	8		RESISTOR 47 5X .25W FC TC=-400/+500	01121	CB4705
A26R8	0683-6815	5		RESISTOR 680 5X .25W FC TC=-400/+600	01121	CB6815
A26R9	0683-4705	8		RESISTOR 47 5X .25W FC TC=-400/+500	01121	CB4705
A26R10	0683-6825	7		RESISTOR 6.8K 5X .25W FC TC=-400/+700	01121	CB6825
A26R11	0683-6825	7		RESISTOR 6.8K 5X .25W FC TC=-400/+700	01121	CB6825
A26R12	0683-6815	5		RESISTOR 680 5X .25W FC TC=-400/+600	01121	CB6815
A26R13	0683-2725	8		RESISTOR 2.7K 5X .25W FC TC=-400/+700	01121	CB2725
A26R14	0683-4705	8		RESISTOR 47 5X .25W FC TC=-400/+500	01121	CB4705
A26R15	0683-4715	0		RESISTOR 470 5X .25W FC TC=-400/+600	01121	CB4715
A26R16	0683-4715	0		RESISTOR 470 5X .25W FC TC=-400/+600	01121	CB4715
A26R17	0683-2205	9		RESISTOR 22 5X .25W FC TC=-400/+500	01121	CB2205
A26R18	0683-4705	8		RESISTOR 47 5X .25W FC TC=-400/+500	01121	CB4705
A26R19	0683-3325	6		RESISTOR 3.3K 5X .25W FC TC=-400/+700	01121	CB3325
A26R20	0683-1015	7		RESISTOR 100 5X .25W FC TC=-400/+500	01121	CB1015
A26R21	0683-4705	8		RESISTOR 47 5X .25W FC TC=-400/+500	01121	CB4705
A26R22	0683-2205	9		RESISTOR 22 5X .25W FC TC=-400/+500	01121	CB2205
A26R23	0757-0280	3		RESISTOR 1K 1X .125W F TC=0+-100	24546	C4-1/8-T0-1001-F
A26R24	0698-3558	8		RESISTOR 4.02K 1X .125W F TC=0+-100	24546	C4-1/8-T0-4021-F
A26R25	0683-3305	2		RESISTOR 33 5X .25W FC TC=-400/+500	01121	CB3305
A26R26	0757-0280	3		RESISTOR 1K 1X .125W F TC=0+-100	24546	C4-1/8-T0-1001-F
A26R27	0683-2205	9		RESISTOR 22 5X .25W FC TC=-400/+500	01121	CB2205
A26R28	0698-3558	8		RESISTOR 4.02K 1X .125W F TC=0+-100	24546	C4-1/8-T0-4021-F
A26R29	0683-1015	7		RESISTOR 100 5X .25W FC TC=-400/+500	01121	CB1015
A26R30	0683-2025	1		RESISTOR 2K 5X .25W FC TC=-400/+700	01121	CB2025
A26R31	0683-1025	9		RESISTOR 1K 5X .25W FC TC=-400/+600	01121	CB1025
A26R32	0683-2025	1		RESISTOR 2K 5X .25W FC TC=-400/+700	01121	CB2025
A26R33	0683-4715	0		RESISTOR 470 5X .25W FC TC=-400/+600	01121	CB4715
A26R34	0683-4715	0		RESISTOR 470 5X .25W FC TC=-400/+600	01121	CB4715
A26R35	0683-1025	9		RESISTOR 1K 5X .25W FC TC=-400/+600	01121	CB1025
A26R36	0683-4715	0		RESISTOR 470 5X .25W FC TC=-400/+600	01121	CB4715
A26R37	0683-1025	9		RESISTOR 1K 5X .25W FC TC=-400/+600	01121	CB1025
A26R38	0683-1025	9		RESISTOR 1K 5X .25W FC TC=-400/+600	01121	CB1025
A26R39	0683-1025	9		RESISTOR 1K 5X .25W FC TC=-400/+600	01121	CB1025
A26R40	0683-1025	9		RESISTOR 1K 5X .25W FC TC=-400/+600	01121	CB1025
A26R42	0683-1025	9		RESISTOR 1K 5X .25W FC TC=-400/+600	01121	CB1025
A26R43	0683-4715	0		RESISTOR 470 5X .25W FC TC=-400/+600	01121	CB4715
A26R44	0683-4715	0		RESISTOR 470 5X .25W FC TC=-400/+600	01121	CB4715
A26R45	0683-4705	8		RESISTOR 47 5X .25W FC TC=-400/+500	01121	CB4705
A26R46	0683-4705	8		RESISTOR 47 5X .25W FC TC=-400/+500	01121	CB4705
A26R47	0683-8215	3	3	RESISTOR 820 5X .25W FC TC=-400/+600	01121	CB8215
A26R48	0683-2215	1		RESISTOR 220 5X .25W FC TC=-400/+600	01121	CB2215
A26R49	0683-3025	3	14	RESISTOR 3K 5X .25W FC TC=-400/+700	01121	CB3025
A26R50	0683-1025	9		RESISTOR 1K 5X .25W FC TC=-400/+600	01121	CB1025
A26R51	0683-3025	3		RESISTOR 3K 5X .25W FC TC=-400/+700	01121	CB3025
A26R52	0757-0280	3		RESISTOR 1K 1X .125W F TC=0+-100	24546	C4-1/8-T0-1001-F
A26R53	0698-3558	8		RESISTOR 4.02K 1X .125W F TC=0+-100	24546	C4-1/8-T0-4021-F
A26R54	0698-4510	4	3	RESISTOR 84.5K 1X .125W F TC=0+-100	24546	C4-1/8-T0-8452-F
A26R55	0757-0283	6	7	RESISTOR 2K 1X .125W F TC=0+-100	24546	C4-1/8-T0-2001-F
A26R56	0757-0445	2	2	RESISTOR 13K 1X .125W F TC=0+-100	24546	C4-1/8-T0-1302-F
A26R57	0698-3155	1		RESISTOR 4.64K 1X .125W F TC=0+-100	24546	C4-1/8-T0-4641-F
A26R58	0683-3325	6		RESISTOR 3.3K 5X .25W FC TC=-400/+700	01121	CB3325
A26R59	0683-1825	7	5	RESISTOR 1.8K 5X .25W FC TC=-400/+700	01121	CB1825
A26R61	0683-4735	4		RESISTOR 47K 5X .25W FC TC=-400/+800	01121	CB4735
A26R62	0683-1045	3		RESISTOR 100K 5X .25W FC TC=-400/+800	01121	CB1045
A26R63	0683-2235	5		RESISTOR 22K 5X .25W FC TC=-400/+800	01121	CB2235
A26R64	0683-3015	1	3	RESISTOR 300 5X .25W FC TC=-400/+600	01121	CB3015
A26R65	0683-1235	3		RESISTOR 12K 5X .25W FC TC=-400/+800	01121	CB1235
A26R66	0683-3325	6		RESISTOR 3.3K 5X .25W FC TC=-400/+700	01121	CB3325
A26R68	0683-7525	6	4	RESISTOR 7.5K 5X .25W FC TC=-400/+700	01121	CB7525
A26R69	0683-7525	6		RESISTOR 7.5K 5X .25W FC TC=-400/+700	01121	CB7525
A26R70	0683-3325	6		RESISTOR 3.3K 5X .25W FC TC=-400/+700	01121	CB3325
A26R71	0683-1035	1		RESISTOR 10K 5X .25W FC TC=-400/+700	01121	CB1035
A26R72	0683-1535	6		RESISTOR 15K 5X .25W FC TC=-400/+800	01121	CB1535
A26R73	0683-1035	1		RESISTOR 10K 5X .25W FC TC=-400/+700	01121	CB1035
A26R74	0683-1025	9		RESISTOR 1K 5X .25W FC TC=-400/+600	01121	CB1025
A26R75	2100-3252	6	1	RESISTOR-TRMR 5K 10X C TOP=ADJ 1-TRN	28480	2100-3252
A26R76	0683-1535	6		RESISTOR 15K 5X .25W FC TC=-400/+800	01121	CB1535
A26R77	0683-3325	6		RESISTOR 3.3K 5X .25W FC TC=-400/+700	01121	CB3325
A26R78	0683-1045	3		RESISTOR 100K 5X .25W FC TC=-400/+800	01121	CB1045
A26R79	0683-3325	6		RESISTOR 3.3K 5X .25W FC TC=-400/+700	01121	CB3325
A26R100	0757-0444	1	2	RESISTOR 12.1K 1X .125W F TC=0+-100	24546	C4-1/8-T0-1212-F
A26R101	0683-2725	8		RESISTOR 2.7K 5X .25W FC TC=-400/+700	01121	CB2725
A26R102	0683-1515	2		RESISTOR 150 5X .25W FC TC=-400/+600	01121	CB1515
A26R103	0683-6215	9		RESISTOR 620 5X .25W FC TC=-400/+600	01121	CB6215

See introduction to this section for ordering information  
 \*Indicates factory selected value

**Table 9-3. Replaceable Parts (Cont'd)**

Reference Designation	HP Part Number	C D	Qty	Description	Mfr Code	Mfr Part Number
A26R104	0683-4705	8		RESISTOR 47 5% .25W FC TC=-400/+500	01121	C84705
A26R105	0683-4715	0		RESISTOR 470 5% .25W FC TC=-400/+600	01121	C84715
A26R107	0683-1525	4		RESISTOR 1.5K 5% .25W FC TC=-400/+700	01121	C81525
A26R108	0683-2205	9		RESISTOR 22 5% .25W FC TC=-400/+500	01121	C82205
A26R109	0683-2735	0		RESISTOR 27K 5% .25W FC TC=-400/+800	01121	C82735
A26R110	0683-4705	8		RESISTOR 47 5% .25W FC TC=-400/+500	01121	C84705
A26R111	0683-2425	5	6	RESISTOR 2.4K 5% .25W FC TC=-400/+700	01121	C82425
A26R112	0683-2215	1		RESISTOR 220 5% .25W FC TC=-400/+600	01121	C82215
A26R113	0683-2215	1		RESISTOR 220 5% .25W FC TC=-400/+600	01121	C82215
A26R114	0683-1005	5		RESISTOR 10 5% .25W FC TC=-400/+500	01121	C81005
A26R115	0683-1005	5		RESISTOR 10 5% .25W FC TC=-400/+500	01121	C81005
A26R116	0683-2215	1		RESISTOR 220 5% .25W FC TC=-400/+600	01121	C82215
A26R117	0683-1525	4		RESISTOR 1.5K 5% .25W FC TC=-400/+700	01121	C81525
A26R118	0683-8215	3		RESISTOR 820 5% .25W FC TC=-400/+600	01121	C88215
A26R119	0683-4715	0		RESISTOR 470 5% .25W FC TC=-400/+600	01121	C84715
A26R120	0683-4705	8		RESISTOR 47 5% .25W FC TC=-400/+500	01121	C84705
A26R121	0683-4705	8		RESISTOR 47 5% .25W FC TC=-400/+500	01121	C84705
A26R122	0757-0283	6		RESISTOR 2K 1% .125W F TC=0+100	24546	C4-1/8-T0=2001-F
A26R123	0683-1015	7		RESISTOR 100 5% .25W FC TC=-400/+500	01121	C81015
A26R124	0683-2025	1		RESISTOR 2K 5% .25W FC TC=-400/+700	01121	C82025
A26R125	0683-2025	1		RESISTOR 2K 5% .25W FC TC=-400/+700	01121	C82025
A26R126	0683-1015	7		RESISTOR 100 5% .25W FC TC=-400/+500	01121	C81015
A26R127	0698-1123	5		RESISTOR 499 1% .125W F TC=0+100	24546	C4-1/8-T0=499R-F
A26R130	0683-1025	9		RESISTOR 1K 5% .25W FC TC=-400/+600	01121	C81025
A26R131	0683-1025	9		RESISTOR 1K 5% .25W FC TC=-400/+600	01121	C81025
A26R132	0683-1025	9		RESISTOR 1K 5% .25W FC TC=-400/+600	01121	C81025
A26R133	0683-4715	0		RESISTOR 470 5% .25W FC TC=-400/+600	01121	C84715
A26R134	0683-4715	0		RESISTOR 470 5% .25W FC TC=-400/+600	01121	C84715
A26R135	0683-4715	0		RESISTOR 470 5% .25W FC TC=-400/+600	01121	C84715
A26R136	0683-4715	0		RESISTOR 470 5% .25W FC TC=-400/+600	01121	C84715
A26R140	0683-1025	9		RESISTOR 1K 5% .25W FC TC=-400/+600	01121	C81025
A26R141	0683-1025	9		RESISTOR 1K 5% .25W FC TC=-400/+600	01121	C81025
A26R142	0683-1025	9		RESISTOR 1K 5% .25W FC TC=-400/+600	01121	C81025
A26R143	0683-1025	9		RESISTOR 1K 5% .25W FC TC=-400/+600	01121	C81025
A26R144	0683-1525	4		RESISTOR 1.5K 5% .25W FC TC=-400/+700	01121	C81525
A26R145	0683-1525	4		RESISTOR 1.5K 5% .25W FC TC=-400/+700	01121	C81525
A26R146	0683-1525	4		RESISTOR 1.5K 5% .25W FC TC=-400/+700	01121	C81525
A26R147	0683-1525	4		RESISTOR 1.5K 5% .25W FC TC=-400/+700	01121	C81525
A26R148	0683-1025	9		RESISTOR 1K 5% .25W FC TC=-400/+600	01121	C81025
A26R149	0683-1025	9		RESISTOR 1K 5% .25W FC TC=-400/+600	01121	C81025
A26R150	0683-1025	9		RESISTOR 1K 5% .25W FC TC=-400/+600	01121	C81025
A26R151	0683-1025	9		RESISTOR 1K 5% .25W FC TC=-400/+600	01121	C81025
A26R152	0683-1525	4		RESISTOR 1.5K 5% .25W FC TC=-400/+700	01121	C81525
A26R153	0683-1525	4		RESISTOR 1.5K 5% .25W FC TC=-400/+700	01121	C81525
A26R154	0683-1525	4		RESISTOR 1.5K 5% .25W FC TC=-400/+700	01121	C81525
A26R155	0683-1525	4		RESISTOR 1.5K 5% .25W FC TC=-400/+700	01121	C81525
A26R156	0683-4715	0		RESISTOR 470 5% .25W FC TC=-400/+600	01121	C84715
A26R157	0683-1325	2	4	RESISTOR 1.3K 5% .25W FC TC=-400/+700	01121	C81325
A26R160	0683-1325	2		RESISTOR 1.3K 5% .25W FC TC=-400/+700	01121	C81325
A26R161	0683-2205	9		RESISTOR 22 5% .25W FC TC=-400/+500	01121	C82205
A26R162	0757-0448	5	3	RESISTOR 18.2K 1% .125W F TC=0+100	24546	C4-1/8-T0=1822-F
A26R163	0683-2205	9		RESISTOR 22 5% .25W FC TC=-400/+500	01121	C82205
A26R164	0757-0448	5		RESISTOR 18.2K 1% .125W F TC=0+100	24546	C4-1/8-T0=1822-F
A26R165	0683-2015	9	15	RESISTOR 200 5% .25W FC TC=-400/+600	01121	C82015
A26R166	0683-2015	9		RESISTOR 200 5% .25W FC TC=-400/+600	01121	C82015
A26TP1- A26TP13	0360-0124	3		CONNECTOR=SGL CONT PIN .04-IN=BSC-SZ RND	28480	0360-0124
A26U1	1820-0803	2		IC GATE ECL OR-NOR TPL	04713	MC10105P
A26U2	1820-2093	6	2	IC CNTR BCD SYNCHRO POS-EDGE-TRIG	07263	F100100C
A26U3	1820-2093	6		IC CNTR BCD SYNCHRO POS-EDGE-TRIG	07263	F100100C
A26U4	1820-0817	8		IC FF ECL D-M/S DUAL	04713	MC10131P
A26U5	1820-0817	8		IC FF ECL D-M/S DUAL	04713	MC10131P
A26U6	1820-0817	8		IC FF ECL D-M/S DUAL	04713	MC10131P
A26U7	1820-0806	5		IC GATE ECL OR-NOR DUAL 4-5-INP	04713	MC10109P
A26U8	1820-0817	8		IC FF ECL D-M/S DUAL	04713	MC10131P
A26U9	1826-0043	4		OP AMP GP T0-99	01928	CA307T
A26U10	1826-0138	8		COMPARATOR GP QUAD 14-DIP-P	04713	MLM339P
A26X1	0955-0087	8		DOUBLE BALANCE MIXERS	28480	0955-0087
				A26 MISCELLANEOUS PARTS		
	03585-05226	0	1	LID, A26	28480	03585-05226
	0370-2583	3		KNOB	28480	0370-2583
	1400-0971	5	5	L-BRACKET	28480	1400-0971
	2950-0078	9		NUT-HEX=DBL-CHAM 10-32=THD .067-IN=THK	28480	2950-0078

See introduction to this section for ordering information  
 \*Indicates factory selected value

Table 9-3. Replaceable Parts (Cont'd)

Reference Designation	HP Part Number	C D	Qty	Description	Mfr Code	Mfr Part Number
	2190-0124 2200-0101	4 0		WASHER=LK INTL T NO. 10 .195-IN-ID SCREW=MACH 4-40 .188-IN-LG PAN=HD=POZI	28480 00000	2190-0124 ORDER BY DESCRIPTION
A27	03585-66527	2	1	1ST LO VCO CONTROLLER	28480	03585-66527
A27C1	0160-0128	3		CAPACITOR-FXD 2.2UF +-20% 50VDC CER	28480	0160-0128
A27C2	0140-0204	4		CAPACITOR-FXD 47PF +-5% 500VDC MICA	72136	DM15E470J0500MV1CR
A27C3	0140-0204	4		CAPACITOR-FXD 47PF +-5% 500VDC MICA	72136	DM15E470J0500MV1CR
A27C4	0160-0128	3		CAPACITOR-FXD 2.2UF +-20% 50VDC CER	28480	0160-0128
A27C5	0160-2199	2		CAPACITOR-FXD 30PF +-5% 300VDC MICA	28480	0160-2199
A27C6	0160-0155	6	1	CAPACITOR-FXD 3300PF +-10% 200VDC POLYE	28480	0160-0155
A27C7	0160-0503	8	3	CAPACITOR-FXD .22UF +-2% 100VDC POLYC	28480	0160-0503
A27C9	0180-0197	8		CAPACITOR-FXD 2.2UF+-10% 20VDC TA	56289	150D225X9020A2
A27C10	0140-0204	4		CAPACITOR-FXD 47PF +-5% 500VDC MICA	72136	DM15E470J0500MV1CR
A27C11	0180-1746	5		CAPACITOR-FXD 15UF+-10% 20VDC TA	56289	150D156X9020B2
A27C12	0160-3622	8		CAPACITOR-FXD .1UF +80-20% 100VDC CER	26654	2130Y5V100R104Z
A27C13	0180-1746	5		CAPACITOR-FXD 15UF+-10% 20VDC TA	56289	150D156X9020B2
A27C14	0160-3622	8		CAPACITOR-FXD .1UF +80-20% 100VDC CER	26654	2130Y5V100R104Z
A27CR1	1901-0040	1		DIODE-SWITCHING 30V 50MA 2NS DO-35	28480	1901-0040
A27CR2	1901-0040	1		DIODE-SWITCHING 30V 50MA 2NS DO-35	28480	1901-0040
A27J1	1250-1512	3		CONNECTOR-RF SMB M PC 50-OHM	28480	1250-1512
A27L1	9100-1644	3	2	COIL-MLD 330UH 5% Q=65 .19DX.44LG-NOM	28480	9100-1644
A27L2	9100-1644	3		COIL-MLD 330UH 5% Q=65 .19DX.44LG-NOM	28480	9100-1644
A27L3	9140-0131	5		COIL-MLD 10MH 5% Q=80 .24DX.74LG-NOM	28480	9140-0131
A27Q1	1854-0071	7		TRANSISTOR NPN SI PD=300MW FT=200MHZ	28480	1854-0071
A27Q2	1853-0020	4		TRANSISTOR PNP SI PD=300MW FT=150MHZ	28480	1853-0020
A27Q7	1855-0081	1	6	TRANSISTOR J-FET N-CHAN D-MODE SI	01295	2N5245
A27Q8	1855-0081	1		TRANSISTOR J-FET N-CHAN D-MODE SI	01295	2N5245
A27Q9	1853-0020	4		TRANSISTOR PNP SI PD=300MW FT=150MHZ	28480	1853-0020
A27Q10	1854-0071	7		TRANSISTOR NPN SI PD=300MW FT=200MHZ	28480	1854-0071
A27Q11	1853-0020	4		TRANSISTOR PNP SI PD=300MW FT=150MHZ	28480	1853-0020
A27R1	0757-0442	9		RESISTOR 10K 1% .125W F TC=0+-100	24546	C4-1/8-T0-1002-F
A27R2	2100-3274	2		RESISTOR-TRMR 10K 10% C SIDE-ADJ 1-TRN	28480	2100-3274
A27R3	0757-0442	9		RESISTOR 10K 1% .125W F TC=0+-100	24546	C4-1/8-T0-1002-F
A27R4	0698-3279	0		RESISTOR 4.99K 1% .125W F TC=0+-100	24546	C4-1/8-T0-4991-F
A27R5	0698-3279	0		RESISTOR 4.99K 1% .125W F TC=0+-100	24546	C4-1/8-T0-4991-F
A27R6	0683-3625	9	2	RESISTOR 3.6K 5% .25W FC TC=-400/+700	01121	CB3625
A27R7	0757-0442	9		RESISTOR 10K 1% .125W F TC=0+-100	24546	C4-1/8-T0-1002-F
A27R8	0683-2445	9	2	RESISTOR 240K 5% .25W FC TC=-800/+900	01121	CB2445
A27R9	0683-2445	9		RESISTOR 240K 5% .25W FC TC=-800/+900	01121	CB2445
A27R10	0757-0440	7		RESISTOR 7.5K 1% .125W F TC=0+-100	24546	C4-1/8-T0-7501-F
A27R11	2100-3274	2		RESISTOR-TRMR 10K 10% C SIDE-ADJ 1-TRN	28480	2100-3274
A27R12	0683-2215	1		RESISTOR 220 5% .25W FC TC=-400/+600	01121	CB2215
A27R13	0683-2215	1		RESISTOR 220 5% .25W FC TC=-400/+600	01121	CB2215
A27R14	0757-0283	6		RESISTOR 2K 1% .125W F TC=0+-100	24546	C4-1/8-T0-2001-F
A27R15	0757-0283	6		RESISTOR 2K 1% .125W F TC=0+-100	24546	C4-1/8-T0-2001-F
A27R17	0757-0280	3		RESISTOR 1K 1% .125W F TC=0+-100	24546	C4-1/8-T0-1001-F
A27R18	0757-0280	3		RESISTOR 1K 1% .125W F TC=0+-100	24546	C4-1/8-T0-1001-F
A27R24	0683-1055	5		RESISTOR 1M 5% .25W FC TC=-800/+900	01121	CB1055
A27R25	0683-1055	5		RESISTOR 1M 5% .25W FC TC=-800/+900	01121	CB1055
A27R26	0683-4735	4		RESISTOR 47K 5% .25W FC TC=-400/+800	01121	CB4735
A27R27	0683-4745	6		RESISTOR 470K 5% .25W FC TC=-800/+900	01121	CB4745
A27R28	0683-3035	5	1	RESISTOR 30K 5% .25W FC TC=-400/+800	01121	CB3035
A27R29	0683-4705	8		RESISTOR 47 5% .25W FC TC=-400/+500	01121	CB4705
A27R30	0698-3582	8	2	RESISTOR 41.2K 1% .125W F TC=0+-100	24546	C4-1/8-T0-4122-F
A27R31	0757-0437	2	6	RESISTOR 4.75K 1% .125W F TC=0+-100	24546	C4-1/8-T0-4751-F
A27R32	0683-2025	1		RESISTOR 2K 5% .25W FC TC=-400/+700	01121	CB2025
A27R33	0683-6825	7		RESISTOR 6.8K 5% .25W FC TC=-400/+700	01121	CB6825
A27R34	0683-6825	7		RESISTOR 6.8K 5% .25W FC TC=-400/+700	01121	CB6825
A27R35	0683-1525	4		RESISTOR 1.5K 5% .25W FC TC=-400/+700	01121	CB1525
A27R36	0683-4725	2		RESISTOR 4.7K 5% .25W FC TC=-400/+700	01121	CB4725
A27R37	0683-4725	2		RESISTOR 4.7K 5% .25W FC TC=-400/+700	01121	CB4725
A27TP1	0360-0124	3		CONNECTOR-SGL CONT PIN .04-IN=88C-SZ RND	28480	0360-0124
A27TP2	0360-0124	3		CONNECTOR-SGL CONT PIN .04-IN=88C-SZ RND	28480	0360-0124
A27TP3	0360-0124	3		CONNECTOR-SGL CONT PIN .04-IN=88C-SZ RND	28480	0360-0124
A27U1	1826-0043	4		OP AMP GP TO-99	01928	CA307T
A27U2	1826-0043	4		OP AMP GP TO-99	01928	CA307T
A27U3	1820-0223	4		OP AMP GP TO-99	02037	MLM301AG
	03585-05227	1	1	A27 MISCELLANEOUS PARTS	28480	03585-05227
	0370-2583	3		KNOB	28480	0370-2583
	1400-0971	5		L-BRACKET	28480	1400-0971
	2950-0078	9		NUT-HEX=DBL-CHAM 10-32-TMD .067-IN=TMK	28480	2950-0078

See introduction to this section for ordering information  
\*Indicates factory selected value

Table 9-3. Replaceable Parts (Cont'd)

Reference Designation	HP Part Number	C D	Qty	Description	Mfr Code	Mfr Part Number
	2190-0124	4		WASHER=LK INTL T NO. 10 .195-IN-ID	28480	2190-0124
	2200-0103	2		SCREW=MACH 4-40 .25-IN-LG PAN=HD=POZI	00000	ORDER BY DESCRIPTION
	2200-0101	0		SCREW=MACH 4-40 .188-IN-LG PAN=HD=POZI	00000	ORDER BY DESCRIPTION
A28	03585-66528	3	1	SM LOOP PHASE DETECTOR	28480	03585-66528
A28C1	0160-2207	3		CAPACITOR=FXD 300PF +-5% 300VDC MICA	28480	0160-2207
A28C2	0160-0362	7		CAPACITOR=FXD 510PF +-5% 300VDC MICA	28480	0160-0362
A28C3	0160-3622	8		CAPACITOR=FXD .1UF +80-20% 100VDC CER	26654	2130Y5V100R104Z
A28C4	0160-2204	0		CAPACITOR=FXD 100PF +-5% 300VDC MICA	28480	0160-2204
A28C5	0160-3622	8		CAPACITOR=FXD .1UF +80-20% 100VDC CER	26654	2130Y5V100R104Z
A28C6	0160-3622	8		CAPACITOR=FXD .1UF +80-20% 100VDC CER	26654	2130Y5V100R104Z
A28C7	0160-3622	8		CAPACITOR=FXD .1UF +80-20% 100VDC CER	26654	2130Y5V100R104Z
A28C8	0150-0093	0		CAPACITOR=FXD .01UF +80-20% 100VDC CER	28480	0150-0093
A28C9	0180-0197	8		CAPACITOR=FXD 2.2UF+-10% 20VDC TA	56289	150D225X9020A2
A28C10	0180-0197	8		CAPACITOR=FXD 2.2UF+-10% 20VDC TA	56289	150D225X9020A2
A28C11	0160-0127	2		CAPACITOR=FXD 1UF +-20% 25VDC CER	28480	0160-0127
A28C12	0140-0200	0	3	CAPACITOR=FXD 390PF +-5% 300VDC MICA	72136	DM15F391J0300MV1CR
A28C13	0140-0208	8		CAPACITOR=FXD 680PF +-5% 300VDC MICA	72136	DM15F681J0300MV1CR
A28C14	0160-2940	1		CAPACITOR=FXD 470PF +-5% 300VDC MICA	28480	0160-2940
A28C15	0180-0197	8		CAPACITOR=FXD 2.2UF+-10% 20VDC TA	56289	150D225X9020A2
A28C16	0180-0197	8		CAPACITOR=FXD 2.2UF+-10% 20VDC TA	56289	150D225X9020A2
A28C17	0180-1746	5		CAPACITOR=FXD 15UF+-10% 20VDC TA	56289	150D156X9020B2
A28C18	0160-3622	8		CAPACITOR=FXD .1UF +80-20% 100VDC CER	26654	2130Y5V100R104Z
A28C19	0180-1746	5		CAPACITOR=FXD 15UF+-10% 20VDC TA	56289	150D156X9020B2
A28C20	0160-3622	8		CAPACITOR=FXD .1UF +80-20% 100VDC CER	26654	2130Y5V100R104Z
A28C21	0180-1746	5		CAPACITOR=FXD 15UF+-10% 20VDC TA	56289	150D156X9020B2
A28C22	0160-3622	8		CAPACITOR=FXD .1UF +80-20% 100VDC CER	26654	2130Y5V100R104Z
A28C23	0160-3622	8		CAPACITOR=FXD .1UF +80-20% 100VDC CER	26654	2130Y5V100R104Z
A28C24	0160-3622	8		CAPACITOR=FXD .1UF +80-20% 100VDC CER	26654	2130Y5V100R104Z
A28C25	0150-0050	9		CAPACITOR=FXD 1000PF +80-20% 1KVDC CER	28480	0150-0050
A28C26	0150-0050	9		CAPACITOR=FXD 1000PF +80-20% 1KVDC CER	28480	0150-0050
A28C27	0160-3622	8		CAPACITOR=FXD .1UF +80-20% 100VDC CER	26654	2130Y5V100R104Z
A28CR1	1901-0347	1		DIODE=8CHOTTKY 8V	28480	1901-0347
A28CR2	1901-0347	1		DIODE=8CHOTTKY 8V	28480	1901-0347
A28CR3	1901-0040	1		DIODE=SWITCHING 30V 50MA 2NS DO-35	28480	1901-0040
A28CR4	1901-0040	1		DIODE=SWITCHING 30V 50MA 2NS DO-35	28480	1901-0040
A28CR5	1901-0347	1		DIODE=8CHOTTKY 8V	28480	1901-0347
A28CR6	1901-0347	1		DIODE=8CHOTTKY 8V	28480	1901-0347
A28J1	1250-1512	3		CONNECTOR=RF 8MB M PC 50-OHM	28480	1250-1512
A28J2	1250-1512	3		CONNECTOR=RF 8MB M PC 50-OHM	28480	1250-1512
A28L1	9100-1615	8	1	COIL=MLD 1.2UH 10% Q#33 .155DX,375LG=NOM	28480	9100-1615
A28L2	9100-1641	0		COIL=MLD 240UH 5% Q#65 .155DX,375LG=NOM	28480	9100-1641
A28L3	9100-1641	0		COIL=MLD 240UH 5% Q#65 .155DX,375LG=NOM	28480	9100-1641
A28L4	9140-0210	1		COIL=MLD 100UH 5% Q#50 .155DX,375LG=NOM	28480	9140-0210
A28L5	9100-1618	1		INDUCTOR RF-CH-MLD 5.6UH 10%	24226	15/561
A28L6	9140-0210	1		COIL=MLD 100UH 5% Q#50 .155DX,375LG=NOM	28480	9140-0210
A28Q1	1853-0203	5		TRANSISTOR PNP SI TO-18 PD=360MH	28480	1853-0203
A28Q2	1853-0203	5		TRANSISTOR PNP SI TO-18 PD=360MH	28480	1853-0203
A28Q3	1853-0203	5		TRANSISTOR PNP SI TO-18 PD=360MH	28480	1853-0203
A28Q4	1853-0086	2		TRANSISTOR PNP SI PD=310MH FT=40MHZ	27014	2N5087
A28Q5	1854-0071	7		TRANSISTOR NPN SI PD=300MH FT=200MHZ	28480	1854-0071
A28Q6	1853-0086	2		TRANSISTOR PNP SI PD=310MH FT=40MHZ	27014	2N5087
A28Q7	1854-0071	7		TRANSISTOR NPN SI PD=300MH FT=200MHZ	28480	1854-0071
A28R1	0683-2025	1		RESISTOR 2K 5% .25W FC TC=-400/+700	01121	C82025
A28R2	0683-1025	9		RESISTOR 1K 5% .25W FC TC=-400/+600	01121	C81025
A28R3	0683-7515	4		RESISTOR 750 5% .25W FC TC=-400/+600	01121	C87515
A28R4	0683-1025	9		RESISTOR 1K 5% .25W FC TC=-400/+600	01121	C81025
A28R5	0683-2025	1		RESISTOR 2K 5% .25W FC TC=-400/+700	01121	C82025
A28R6	0683-1025	9		RESISTOR 1K 5% .25W FC TC=-400/+600	01121	C81025
A28R7	0683-1025	9		RESISTOR 1K 5% .25W FC TC=-400/+600	01121	C81025
A28R8	0683-4705	8		RESISTOR 47 5% .25W FC TC=-400/+500	01121	C84705
A28R9	0683-4715	0		RESISTOR 470 5% .25W FC TC=-400/+600	01121	C84715
A28R10	0683-8215	3		RESISTOR 820 5% .25W FC TC=-400/+600	01121	C86215
A28R11	0683-4705	8		RESISTOR 47 5% .25W FC TC=-400/+500	01121	C84705
A28R12	0683-4715	0		RESISTOR 470 5% .25W FC TC=-400/+600	01121	C84715
A28R13	0683-3315	4		RESISTOR 330 5% .25W FC TC=-400/+600	01121	C83315
A28R14	0683-2025	1		RESISTOR 2K 5% .25W FC TC=-400/+700	01121	C82025
A28R15	0683-3025	3		RESISTOR 3K 5% .25W FC TC=-400/+700	01121	C83025
A28R16	0683-1025	9		RESISTOR 1K 5% .25W FC TC=-400/+600	01121	C81025
A28R17	0698-3279	0		RESISTOR 4.9K 1% .125W F TC=0+-100	24546	C4-1/8-T0-4991-F
A28R18	0698-4486	3		RESISTOR 24.9K 1% .125W F TC=0+-100	24546	C4-1/8-T0-2492-F
A28R19	0698-4463	6	1	RESISTOR 845 1% .125W F TC=0+-100	03888	PME55-1/8-T0-845R-F
A28R20	0698-4486	3		RESISTOR 24.9K 1% .125W F TC=0+-100	24546	C4-1/8-T0-2492-F

See introduction to this section for ordering information  
 \*Indicates factory selected value



**Table 9-3. Replaceable Parts (Cont'd)**

Reference Designation	HP Part Number	C D	Qty	Description	Mfr Code	Mfr Part Number
A28R21	0698-3279	0	3	RESISTOR 4.99K 1% .125W F TC=0+-100	24546	C4-1/8-T0-4991-F
A28R22	0757-0442	9		RESISTOR 10K 1% .125W F TC=0+-100	24546	C4-1/8-T0-1002-F
A28R23	0757-0161	9		RESISTOR 604 1% .125W F TC=0+-100	24546	C4-1/8-T0-604R-F
A28R24	0683-2205	9		RESISTOR 22 5% .25W FC TC=-400/+500	01121	CB2205
A28R25	0683-2025	1		RESISTOR 2K 5% .25W FC TC=-400/+700	01121	CB2025
A28R26	0683-2025	1	RESISTOR 2K 5% .25W FC TC=-400/+700	01121	CB2025	
A28R27	0683-2025	1	RESISTOR 2K 5% .25W FC TC=-400/+700	01121	CB2025	
A28R28	0683-1035	1	RESISTOR 2K 5% .25W FC TC=-400/+700	01121	CB2025	
A28R29	0683-2025	1	RESISTOR 2K 5% .25W FC TC=-400/+700	01121	CB1035	
A28R30	0683-1035	1	RESISTOR 10K 5% .25W FC TC=-400/+700	01121	CB1035	
A28R31	0683-1535	6	RESISTOR 15K 5% .25W FC TC=-400/+800	01121	CB1535	
A28R32	0683-2715	6	RESISTOR 270 5% .25W FC TC=-400/+600	01121	CB2715	
A28R33	0683-1535	6	RESISTOR 15K 5% .25W FC TC=-400/+800	01121	CB1535	
A28R34	0683-2715	6	RESISTOR 270 5% .25W FC TC=-400/+600	01121	CB2715	
A28R35	0683-7525	6	RESISTOR 7.5K 5% .25W FC TC=-400/+700	01121	CB7525	
A28R36	0683-1535	6	RESISTOR 15K 5% .25W FC TC=-400/+800	01121	CB1535	
A28R37	0683-1035	1	RESISTOR 10K 5% .25W FC TC=-400/+700	01121	CB1035	
A28R38	0683-1035	1	RESISTOR 10K 5% .25W FC TC=-400/+700	01121	CB1035	
A28R39	0683-2025	1	RESISTOR 2K 5% .25W FC TC=-400/+700	01121	CB2025	
A28R40	0683-1035	1	RESISTOR 10K 5% .25W FC TC=-400/+700	01121	CB1035	
A28R41	0683-1045	3	RESISTOR 100K 5% .25W FC TC=-400/+800	01121	CB1045	
A28U1	1820-0810	1	IC RCVR ECL LINE RCVR TPL 2-INP	04713	MC10116P	
A28U2	1820-0817	8	IC FF ECL D-M/S DUAL	04713	MC10131P	
A28U3	1826-0138	8	COMPARATOR GP QUAD 14-DIP-P	04713	MLM339P	
A28 MISCELLANEOUS PARTS						
	03585-05228	2	1	LID, A28	28480	03585-05228
	0370-2583	3		KNOB	28480	0370-2583
	1400-0971	5		L-BRACKET	28480	1400-0971
	2950-0078	9		NUT-HEX=OBL-CHAM 10-32-THD .067-IN-THK	28480	2950-0078
	2190-0124	4		WASHER-LK INTL T NO. 10 .195-IN-ID	28480	2190-0124
	2200-0101	0	SCREW-MACH 4-40 .188-IN-LG PAN=HD=POZI	00000	ORDER BY DESCRIPTION	
A31	03585-66531	8	1	VTO DIVIDER	28480	03585-66531
A31C1	0160-3847	9		CAPACITOR-FXD .01UF +100-0% 50VDC CER	28480	0160-3847
A31C2	0160-3847	9		CAPACITOR-FXD .01UF +100-0% 50VDC CER	28480	0160-3847
A31C3	0140-0204	4		CAPACITOR-FXD 47PF +-5% 500VDC MICA	72136	DM15E470J0500MV1CR
A31C4	0160-3847	9		CAPACITOR-FXD .01UF +100-0% 50VDC CER	28480	0160-3847
A31C5	0160-2204	0		CAPACITOR-FXD 100PF +-5% 300VDC MICA	28480	0160-2204
A31C6	0160-3914	1	1	CAPACITOR-FXD .01UF +-10% 100VDC CER	28480	0160-3914
A31C7	0160-3847	9	3	CAPACITOR-FXD .01UF +100-0% 50VDC CER	28480	0160-3847
A31C8	0150-0069	0		CAPACITOR-FXD 1000PF +100-20% 500VDC CER	28480	0150-0069
A31C9	0150-0069	0		CAPACITOR-FXD 1000PF +100-20% 500VDC CER	28480	0150-0069
A31C10	0150-0069	0		CAPACITOR-FXD 1000PF +100-20% 500VDC CER	28480	0150-0069
A31C11	0160-0503	8		CAPACITOR-FXD .22UF +-2% 100VDC POLYIC	28480	0160-0503
A31C12	0180-1794	3	9	CAPACITOR-FXD 22UF+-10% 35VDC TA	56289	150D226X9035R2
A31C13	0160-2199	2		CAPACITOR-FXD 30PF +-5% 300VDC MICA	28480	0160-2199
A31C14	0160-3622	8		CAPACITOR-FXD .1UF +80-20% 100VDC CER	26654	2130Y5V100R104Z
A31C15	0160-3947	9		CAPACITOR-FXD .01UF +100-0% 50VDC CER	28480	0160-3847
A31C16	0160-3847	9		CAPACITOR-FXD .01UF +100-0% 50VDC CER	28480	0160-3847
A31C17	0160-4571	8	18	CAPACITOR-FXD .1UF +80-20% 50VDC CER	28480	0160-4571
A31C18	0160-4571	8		CAPACITOR-FXD .1UF +80-20% 50VDC CER	28480	0160-4571
A31C19	0160-4571	8		CAPACITOR-FXD .1UF +80-20% 50VDC CER	28480	0160-4571
A31C20	0160-4571	8		CAPACITOR-FXD .1UF +80-20% 50VDC CER	28480	0160-4571
A31C21	0160-3847	9		CAPACITOR-FXD .01UF +100-0% 50VDC CER	28480	0160-3847
A31C22	0160-4571	8	9	CAPACITOR-FXD .1UF +80-20% 50VDC CER	28480	0160-4571
A31C23	0160-3847	9		CAPACITOR-FXD .01UF +100-0% 50VDC CER	28480	0160-3847
A31C24	0180-0228	6		CAPACITOR-FXD 22UF+-10% 15VDC TA	56289	150D226X9015B2
A31C25	0180-1794	3		CAPACITOR-FXD 22UF+-10% 35VDC TA	56289	150D226X9035R2
A31C26	0180-1794	3		CAPACITOR-FXD 22UF+-10% 35VDC TA	56289	150D226X9035R2
A31C27	0160-3622	8	4	CAPACITOR-FXD .1UF +80-20% 100VDC CER	26654	2130Y5V100R104Z
A31C28	0160-0945	2		CAPACITOR-FXD 910PF +-5% 100VDC MICA	28480	0160-0945
A31C29	0160-0300	3		CAPACITOR-FXD 2700PF +-10% 200VDC POLYE	28480	0160-0300
A31C30	0160-0154	5		CAPACITOR-FXD 2200PF +-10% 200VDC POLYE	28480	0160-0154
A31C31	0160-0154	5		CAPACITOR-FXD 2200PF +-10% 200VDC POLYE	28480	0160-0154
A31C32	0160-0362	7	1	CAPACITOR-FXD 510PF +-5% 300VDC MICA	28480	0160-0362
A31C33	0160-0299	9		CAPACITOR-FXD 1800PF +-10% 200VDC POLYE	28480	0160-0299
A31C34	0160-0128	3		CAPACITOR-FXD 2.2UF +-20% 50VDC CER	28480	0160-0128
A31C35	0160-0128	3		CAPACITOR-FXD 2.2UF +-20% 50VDC CER	28480	0160-0128
A31C36	0160-0945	2		CAPACITOR-FXD 910PF +-5% 100VDC MICA	28480	0160-0945
A31C37	0160-0362	7		CAPACITOR-FXD 510PF +-5% 300VDC GL	28480	0160-0362
A31C38	0160-2257	3	CAPACITOR-FXD 10PF +-5% 500VDC CER 0+-60	28480	0160-2257	

See introduction to this section for ordering information  
 \*Indicates factory selected value

Table 9-3. Replaceable Parts (Cont'd)

Reference Designation	HP Part Number	C D	Qty	Description	Mfr Code	Mfr Part Number
A31CR1	0122-0089	5		DIODE-VVC 29PF 10X C3/C25-MIN=5 BVR=30V	04713	MV109
A31CR2	0122-0089	5		DIODE-VVC 29PF 10X C3/C25-MIN=5 BVR=30V	04713	MV109
A31J1	1250-1512	3		CONNECTOR-RF SMB M PC 50-OHM	28480	1250-1512
A31J2	1250-1512	3		CONNECTOR-RF SMB M PC 50-OHM	28480	1250-1512
A31J3	1250-1512	3		CONNECTOR-RF SMB M PC 50-OHM	28480	1250-1512
A31J4	1250-1512	3		CONNECTOR-RF SMB M PC 50-OHM	28480	1250-1512
A31L1	9100-0539	3		COIL-MLD 10UH 5% Q=55 .155DX,375LG-NOM	28480	9100-0539
A31L2	9100-0539	3		COIL-MLD 10UH 5% Q=55 .155DX,375LG-NOM	28480	9100-0539
A31L3	9140-0257	6	1	COIL-VAR 297NH-363NH Q=140 PC-MTG	28480	9140-0257
A31L6	9100-0539	3		COIL-MLD 10UH 5% Q=55 .155DX,375LG-NOM	28480	9100-0539
A31L7	9100-0539	3		COIL-MLD 10UH 5% Q=55 .155DX,375LG-NOM	28480	9100-0539
A31L8	9100-0539	3		COIL-MLD 10UH 5% Q=55 .155DX,375LG-NOM	28480	9100-0539
A31L9	9100-0539	3		COIL-MLD 10UH 5% Q=55 .155DX,375LG-NOM	28480	9100-0539
A31L10	9100-1618	1		INDUCTOR RF-CH-MLD 5.6UH 10%	24226	15/561
A31L11	9140-0210	1		INDUCTOR RF-CH-MLD 100UH 5% .166DX,385LG	24226	15/103
A31L12	9140-0210	1		INDUCTOR RF-CH-MLD 100UH 5% .166DX,385LG	24226	15/103
A31L13	9100-0539	3		COIL-MLD 10UH 5% Q=55 .155DX,375LG-NOM	28480	9100-0539
A31L15	9100-1663	6	1	COIL-MLD 2.7MH 5% Q=70 .215DX,56LG-NOM	28480	9100-1663
A31L16	9100-1658	9	1	COIL-MLD 1.6MH 5% Q=65 .215DX,56LG-NOM	28480	9100-1658
A31Q1	1854-0351	6		TRANSISTOR NPN SI TO-18 PD=360MW	28480	1854-0351
A31Q2	1854-0296	8		TRANSISTOR NPN SI TO-92 PD=310MW	28480	1854-0296
A31Q3	1854-0071	7		TRANSISTOR NPN SI PD=300MW FT=200MHZ	28480	1854-0071
A31Q5	1853-0020	4		TRANSISTOR PNP SI PD=300MW FT=150MHZ	28480	1853-0020
A31R1	0683-4315	6	3	RESISTOR 430 5% .25W FC TC=-400/+600	01121	CB4315
A31R2	0683-3025	3		RESISTOR 3K 5% .25W FC TC=-400/+700	01121	CB3025
A31R3	0683-4705	8		RESISTOR 47 5% .25W FC TC=-400/+500	01121	CB4705
A31R4	0683-2025	9		RESISTOR 2K 5% .25W FC TC=-400/+700	01121	CB2025
A31R5	0683-1025	1		RESISTOR 1K 5% .25W FC TC=-400/+600	01121	CB1025
A31R6	0683-1525	4		RESISTOR 1.5K 5% .25W FC TC=-400/+700	01121	CB1525
A31R7	0683-1025	9		RESISTOR 1K 5% .25W FC TC=-400/+600	01121	CB1025
A31R8	0683-1025	9		RESISTOR 1K 5% .25W FC TC=-400/+600	01121	CB1025
A31R9	0683-1025	9		RESISTOR 1K 5% .25W FC TC=-400/+600	01121	CB1025
A31R10	0683-1025	9		RESISTOR 1K 5% .25W FC TC=-400/+600	01121	CB1025
A31R11	0683-1525	4		RESISTOR 1.5K 5% .25W FC TC=-400/+700	01121	CB1525
A31R12	0683-5625	3		RESISTOR 5.6K 5% .25W FC TC=-400/+700	01121	CB5625
A31R13	0683-4335	0	1	RESISTOR 43K 5% .25W FC TC=-400/+800	01121	CB4335
A31R14	0683-1025	9		RESISTOR 1K 5% .25W FC TC=-400/+600	01121	CB1025
A31R15	0683-1025	9		RESISTOR 1K 5% .25W FC TC=-400/+600	01121	CB1025
A31R16	0698-3447	4	1	RESISTOR 422 1% .125W F TC=0+-100	24546	C4-1/8-T0-422R-F
A31R17	0683-2035	3		RESISTOR 20K 5% .25W FC TC=-400/+800	01121	CB2035
A31R18	0683-2035	3		RESISTOR 20K 5% .25W FC TC=-400/+800	01121	CB2035
A31R19	0683-4705	8		RESISTOR 47 5% .25W FC TC=-400/+500	01121	CB4705
A31R20	0757-0419	0	2	RESISTOR 681 1% .125W F TC=0+-100	24546	C4-1/8-T0-681R-F
A31R21	0698-3162	0	2	RESISTOR 46.4K 1% .125W F TC=0+-100	24546	C4-1/8-T0-4642R-F
A31R22	0757-0442	8	1	RESISTOR 10K 1% .125W F TC=0+-100	24546	C4-1/8-T0-1002R-F
A31R23	0698-3160	8	1	RESISTOR 31.6K 1% .125W F TC=0+-100	24546	C4-1/8-T0-3162R-F
A31R24	0757-0460	1	1	RESISTOR 61.9K 1% .125W F TC=0+-100	24546	C4-1/8-T0-6192R-F
A31R26	0683-4705	8		RESISTOR 47 5% .25W FC TC=-400/+500	01121	CB4705
A31R27	0683-1025	9		RESISTOR 1K 5% .25W FC TC=-400/+600	01121	CB1025
A31R28	0683-2425	5		RESISTOR 2.4K 5% .25W FC TC=-400/+700	01121	CB2425
A31R29	0683-1015	7		RESISTOR 100 5% .25W FC TC=-400/+500	01121	CB1015
A31R30	0683-4705	8		RESISTOR 47 5% .25W FC TC=-400/+500	01121	CB4705
A31R31	0683-4715	0		RESISTOR 470 5% .25W FC TC=-400/+600	01121	CB4715
A31R32	0683-1025	9		RESISTOR 1K 5% .25W FC TC=-400/+600	01121	CB1025
A31R34	0683-1025	9		RESISTOR 1K 5% .25W FC TC=-400/+600	01121	CB1025
A31R35	0683-1025	9		RESISTOR 1K 5% .25W FC TC=-400/+600	01121	CB1025
A31R36	0683-1825	7		RESISTOR 1.8K 5% .25W FC TC=-400/+700	01121	CB1825
A31R37	0683-1025	9		RESISTOR 1K 5% .25W FC TC=-400/+600	01121	CB1025
A31R38	0683-1025	9		RESISTOR 1K 5% .25W FC TC=-400/+600	01121	CB1025
A31R39	0683-1025	9		RESISTOR 1K 5% .25W FC TC=-400/+600	01121	CB1025
A31R40	0683-1025	9		RESISTOR 1K 5% .25W FC TC=-400/+600	01121	CB1025
A31R41	0683-1025	9		RESISTOR 1K 5% .25W FC TC=-400/+600	01121	CB1025
A31R42	0683-1025	9		RESISTOR 1K 5% .25W FC TC=-400/+600	01121	CB1025
A31R43	0683-4715	0		RESISTOR 470 5% .25W FC TC=-400/+600	01121	CB4715
A31R44	0683-4705	8		RESISTOR 47 5% .25W FC TC=-400/+500	01121	CB4705
A31R45	0683-1025	9		RESISTOR 1K 5% .25W FC TC=-400/+600	01121	CB1025
A31R46	0683-1025	9		RESISTOR 1K 5% .25W FC TC=-400/+600	19701	(CR-25) 1-4-5P-1K
A31R47	0683-1025	9		RESISTOR 1K 5% .25W FC TC=-400/+600	19701	(CR-25) 1-4-5P-1K
A31R48	0683-1025	9		RESISTOR 1K 5% .25W FC TC=-400/+600	01121	CB1025
A31R50	0757-0438	3	1	RESISTOR 5.11K 1% .125W F TC=0+-100	24546	C4-1/8-T0-5111R-F
A31R51	0757-0449	8		RESISTOR 20K 1% .125W F TC=0+-100	24546	C4-1/8-T0-2002R-F
A31R52	0698-3558	6		RESISTOR 4.02K 1% .125W F TC=0+-100	24546	C4-1/8-T0-4021R-F
A31R53	0683-4735	4		RESISTOR 47K 5% .25W FC TC=-400/+800	01121	CB4735
A31R54	0683-7525	6		RESISTOR 7.5K 5% .25W FC TC=-400/+700	01121	CB7525
A31R55	0683-1035	1		RESISTOR 10K 5% .25W FC TC=-400/+700	01121	CB1035

See introduction to this section for ordering information  
 \*Indicates factory selected value

**Table 9-3. Replaceable Parts (Cont'd)**

Reference Designation	HP Part Number	C D	Qty	Description	Mfr Code	Mfr Part Number
A31R60	0683-2225	3		RESISTOR 2.2K 5% .25W FC TC=-400/+700	01121	CB2225
A31R61	0683-2235	5		RESISTOR 22K 5% .25W FC TC=-400/+800	01121	CB2235
A31R62	0683-1045	3		RESISTOR 100K 5% .25W FC TC=-400/+800	01121	CB1045
A31R63	0683-1025	9		RESISTOR 1K 5% .25W FC TC=-400/+600	01121	CB1025
A31R64	0683-1025	9		RESISTOR 1K 5% .25W FC TC=-400/+600	01121	CB1025
A31R65	0683-2045	5		RESISTOR 200K 5% .25W FC TC=-800/+900	01121	CB2045
A31R66	0683-1025	9		RESISTOR 1K 5% .25W FC TC=-400/+600	01121	CB1025
A31R67	0683-1015	7		RESISTOR 100 5% .25W FC TC=-400/+500	01121	CB1015
A31R68	0683-1025	9		RESISTOR 1K 5% .25W FC TC=-400/+600	01121	CB1025
A31R70	0683-6225	1		RESISTOR 6.2K 5% .25W FC TC=-400/+700	01121	CB6225
A31R71	0683-1015	7		RESISTOR 100 5% .25W FC TC=-400/+500	01121	CB1015
A31R72	0683-1015	7		RESISTOR 100 5% .25W FC TC=-400/+500	01121	CB1015
A31R73	0683-1015	7		RESISTOR 100 5% .25W FC TC=-400/+500	01121	CB1015
A31R75	0683-3025	3		RESISTOR 3K 5% .25W FC TC=-400/+700	01121	CB3025
A31R76	0683-3025	3		RESISTOR 3K 5% .25W FC TC=-400/+700	01121	CB3025
A31R77	0683-1025	9		RESISTOR 1K 5% .25W FC TC=-400/+600	01121	CB1025
A31U1	1820-1225	4	1	IC FF ECL D=M/S DUAL	04713	MC10231P
A31U2	1820-0806	5		IC GATE ECL OR-NOR DUAL 4-5-INP	04713	MC10109P
A31U3	1820-1204	9	2	IC GATE TTL LS NAND DUAL 4-INP	01295	SN74LS20N
A31U4	1820-0806	5		IC GATE ECL OR-NOR DUAL 4-5-INP	04713	MC10109P
A31U5	1820-0806	5		IC GATE ECL OR-NOR DUAL 4-5-INP	04713	MC10109P
A31U6	1820-0223	0	4	OP AMP GP TO-99	04713	MLM301AG
A31U7	1820-0817	8		IC FF ECL D=M/S DUAL	04713	MC10131P
A31U8	1820-0817	8		IC FF ECL D=M/S DUAL	04713	MC10131P
A31U9	1820-0817	8		IC FF ECL D=M/S DUAL	04713	MC10131P
A31U10	1826-0138	8		COMPARATOR GP QUAD 14-DIP-P	04713	MLM339P
A31U11	1820-0223	0		OP AMP GP TO-99	04713	MLM301AG
				A31 MISCELLANEOUS PARTS		
	03585-05231	7	1	LID, A31	28480	03585-05231
	0370-2583	3		KNOB	28480	0370-2583
	0380-0938	9	3	INSULATOR-FLG-B8HG TFE	28480	0380-0938
	5001-0173	7		PC GROUND CLIP	28480	5001-0173
	1251-0600	0		CONNECTOR-SGL CONT PIN 1,14-MM-BSC-8Z SQ	28480	1251-0600
	2950-0078	9		NUT-HEX-DBL-CHAM 10-32-TMD .067-IN-TMK	28480	2950-0078
	2190-0124	4		WASHER-LK INTL T NO. 10 .195-IN-ID	28480	2190-0124
A32	03585-66532	9	1	PC ASSEMBLY, ANALOG	28480	03585-66532
A32C1	0160-2204	0		CAPACITOR-FXD 100PF +-5% 300VDC MICA	28480	0160-2204
A32C2	0160-2204	0		CAPACITOR-FXD 100PF +-5% 300VDC MICA	28480	0160-2204
A32C3	0160-3622	8		CAPACITOR-FXD .1UF +80-20% 100VDC CER	26654	2130Y5V100R104Z
A32C4	0160-3622	8		CAPACITOR-FXD .1UF +80-20% 100VDC CER	26654	2130Y5V100R104Z
A32C5	0160-3622	8		CAPACITOR-FXD .1UF +80-20% 100VDC CER	26654	2130Y5V100R104Z
A32C6	0160-3622	8		CAPACITOR-FXD .1UF +80-20% 100VDC CER	26654	2130Y5V100R104Z
A32C7	0160-2257	3		CAPACITOR-FXD 10PF +-5% 500VDC CER 0+/-60	28480	0160-2257
A32C8	0160-0503	8		CAPACITOR-FXD .22UF +-2% 100VDC POLY C	28480	0160-0503
A32C9	0160-4461	5	1	CAPACITOR-FXD 150PF +-2.5% 160VDC POLYP	28480	0160-4461
A32C10	0160-4571	8		CAPACITOR-FXD .1UF +80-20% 50VDC CER	28480	0160-4571
A32C11	0140-0204	4		CAPACITOR-FXD 47PF +-5% 500VDC MICA	72136	DM15E470J0500WV1CR
A32C12	0160-0196	5	2	CAPACITOR-FXD 24PF +-5% 300VDC MICA	28480	0160-0196
A32C13	0160-2204	0		CAPACITOR-FXD 100PF +-5% 300VDC MICA	28480	0160-2204
A32C14	0140-0149	6	1	CAPACITOR-FXD 470PF +-5% 300VDC MICA	72136	DM15F471J0300WV1CR
A32C15	0150-0029	2		CAPACITOR-FXD 1PF +-10% 500VDC TI DIOX	28480	0150-0029
A32C16	0160-4571	8		CAPACITOR-FXD .1UF +80-20% 50VDC CER	28480	0160-4571
A32C17	0160-4571	8		CAPACITOR-FXD .1UF +80-20% 50VDC CER	28480	0160-4571
A32C18	0160-3622	8		CAPACITOR-FXD .1UF +80-20% 100VDC CER	26654	2130Y5V100R104Z
A32C19	0160-3622	8		CAPACITOR-FXD .1UF +80-20% 100VDC CER	26654	2130Y5V100R104Z
A32C20	0160-3622	8		CAPACITOR-FXD .1UF +80-20% 100VDC CER	26654	2130Y5V100R104Z
A32C21	0180-1794	3		CAPACITOR-FXD 22UF+-10% 35VDC TA	56289	150D226X9035R2
A32C22	0180-1794	3		CAPACITOR-FXD 22UF+-10% 35VDC TA	56289	150D226X9035R2
A32C23	0160-3622	8		CAPACITOR-FXD .1UF +80-20% 100VDC CER	26654	2130Y5V100R104Z
A32C24	0160-3622	8		CAPACITOR-FXD .1UF +80-20% 100VDC CER	26654	2130Y5V100R104Z
A32C25	0160-3622	8		CAPACITOR-FXD .1UF +80-20% 100VDC CER	26654	2130Y5V100R104Z
A32C26	0160-3622	8		CAPACITOR-FXD .1UF +80-20% 100VDC CER	26654	2130Y5V100R104Z
A32C27	0180-1794	3		CAPACITOR-FXD 22UF+-10% 35VDC TA	56289	150D226X9035R2
A32C29	0160-3622	8		CAPACITOR-FXD .1UF +80-20% 100VDC CER	26654	2130Y5V100R104Z
A32C30	0180-1746	5		CAPACITOR-FXD 15UF+-10% 20VDC TA	56289	150D156X9020R2
A32C31	0180-0196	7	2	CAPACITOR-FXD 56UF+-10% 15VDC TA	56289	150D566X9015R2
A32C32	0180-0196	7		CAPACITOR-FXD 56UF+-10% 15VDC TA	56289	150D566X9015R2
A32CR1	1901-0040	1		DIODE-SWITCHING 30V 50MA 2NS DO-35	28480	1901-0040
A32CR2	1901-0040	1		DIODE-SWITCHING 30V 50MA 2NS DO-35	28480	1901-0040
A32CR3	1901-0040	1		DIODE-SWITCHING 30V 50MA 2NS DO-35	28480	1901-0040
A32CR4	1901-0040	1		DIODE-SWITCHING 30V 50MA 2NS DO-35	28480	1901-0040
A32CR5	1901-0040	1		DIODE-SWITCHING 30V 50MA 2NS DO-35	28480	1901-0040

See introduction to this section for ordering information  
 \*Indicates factory selected value

**Table 9-3. Replaceable Parts (Cont'd)**

Reference Designation	HP Part Number	C D	Qty	Description	Mfr Code	Mfr Part Number
A32CR6	1901-0040	1		DIODE-SWITCHING 30V 50MA 2N8 DO-35	28480	1901-0040
A32CR7	1901-0535	9		DIODE-SCHOTTKY	28480	1901-0535
A32CR8	1901-0535	9		DIODE-SCHOTTKY	28480	1901-0535
A32CR9	1901-0535	9		DIODE-SCHOTTKY	28480	1901-0535
A32CR10	1901-0040	1		DIODE-SWITCHING 30V 50MA 2N8 DO-35	28480	1901-0040
A32CR11	1901-0535	9		DIODE-SCHOTTKY	28480	1901-0535
A32CR12	1901-0040	1		DIODE-SWITCHING 30V 50MA 2N8 DO-35	28480	1901-0040
A32CR13	1902-3054	5		DIODE-ZNR 3.65V 5X DO-7 PD=.4W TC=-.055X	28480	1902-3054
A32CR14	1901-0040	1		DIODE-SWITCHING 30V 50MA 2N8 DO-35	28480	1901-0040
A32CR15	1902-0777	3		DIODE-ZNR 1N825 6.2V 5X DO-7 PD=.4W	04713	1N825
A32CR16	1902-0049	2	11	DIODE-ZNR 6.19V 5X DO-7 PD=.4W TC=+.022X	28480	1902-0049
A32J1	1250-1512	3		CONNECTOR-RF SMB M PC 50-OHM	28480	1250-1512
A32J2	1250-1512	3		CONNECTOR-RF SMB M PC 50-OHM	28480	1250-1512
A32J3	1250-1512	3		CONNECTOR-RF SMB M PC 50-OHM	28480	1250-1512
A32L1	9100-3560	6		COIL-MLD 5.6UH 5X Q=45 .155DX.375LG-NOM	28480	9100-3560
A32L2	9100-3560	6		COIL-MLD 5.6UH 5X Q=45 .155DX.375LG-NOM	28480	9100-3560
A32L3	9100-3560	6		COIL-MLD 5.6UH 5X Q=45 .155DX.375LG-NOM	28480	9100-3560
A32Q1	1853-0089	5		TRANSISTOR PNP 2N4917 SI PD=200MW	07263	2N4917
A32Q2	1853-0089	5		TRANSISTOR PNP 2N4917 SI PD=200MW	07263	2N4917
A32Q3	1853-0089	5		TRANSISTOR PNP 2N4917 SI PD=200MW	07263	2N4917
A32Q4	1854-0215	1		TRANSISTOR NPN SI PD=350MW FT=300MHZ	04713	2N3904
A32Q5	1853-0089	5		TRANSISTOR PNP 2N4917 SI PD=200MW	07263	2N4917
A32Q6	1855-0081	1		TRANSISTOR J-FET N-CHAN D-MODE SI	01295	2N5245
A32Q7	1855-0081	1		TRANSISTOR J-FET N-CHAN D-MODE SI	01295	2N5245
A32Q8	1854-0215	1		TRANSISTOR NPN SI PD=350MW FT=300MHZ	04713	2N3904
A32Q9	1854-0215	1		TRANSISTOR NPN SI PD=350MW FT=300MHZ	04713	2N3904
A32Q11	1854-0215	1		TRANSISTOR NPN SI PD=350MW FT=300MHZ	04713	2N3904
A32Q12	1853-0089	5		TRANSISTOR PNP 2N4917 SI PD=200MW	07263	2N4917
A32Q13	1853-0089	5		TRANSISTOR PNP 2N4917 SI PD=200MW	07263	2N4917
A32Q14	1854-0345	8		TRANSISTOR NPN 2N5179 SI TO-72 PD=200MW	04713	2N5179
A32Q15	1853-0089	5		TRANSISTOR PNP 2N4917 SI PD=200MW	07263	2N4917
A32Q16	1855-0082	2	1	TRANSISTOR J-FET P-CHAN D-MODE SI	28480	1855-0082
A32Q17	1853-0089	5		TRANSISTOR PNP 2N4917 SI PD=200MW	07263	2N4917
A32Q18	1854-0404	0		TRANSISTOR NPN SI TO-18 PD=360MW	28480	1854-0404
A32Q19	1854-0404	0		TRANSISTOR NPN SI TO-18 PD=360MW	28480	1854-0404
A32Q21	1855-0308	5		TRANSISTOR J-FET DUAL N-CHAN D-MODE SI	28480	1855-0308
A32Q22	1854-0296	8		TRANSISTOR NPN SI TO-92 PD=310MW	28480	1854-0296
A32Q23	1854-0296	8		TRANSISTOR NPN SI TO-92 PD=310MW	28480	1854-0296
A32Q24	1853-0089	5		TRANSISTOR PNP 2N4917 SI PD=200MW	07263	2N4917
A32Q25	1854-0215	1		TRANSISTOR NPN SI PD=350MW FT=300MHZ	04713	2N3904
A32Q26	1853-0089	5		TRANSISTOR PNP 2N4917 SI PD=200MW	07263	2N4917
A32Q27	1854-0351	6		TRANSISTOR NPN SI TO-18 PD=360MW	28480	1854-0351
A32Q28	1854-0351	6		TRANSISTOR NPN SI TO-18 PD=360MW	28480	1854-0351
A32Q29	1853-0089	5		TRANSISTOR PNP 2N4917 SI PD=200MW	07263	2N4917
A32Q31	1854-0351	6		TRANSISTOR NPN SI TO-18 PD=360MW	28480	1854-0351
A32Q32	1855-0081	1		TRANSISTOR J-FET N-CHAN D-MODE SI	01295	2N5245
A32Q33	1854-0351	6		TRANSISTOR NPN SI TO-18 PD=360MW	28480	1854-0351
A32Q34	1855-0081	1		TRANSISTOR J-FET N-CHAN D-MODE SI	01295	2N5245
A32Q35	1854-0215	1		TRANSISTOR NPN SI PD=350MW FT=300MHZ	04713	2N3904
A32Q36	1854-0351	6		TRANSISTOR NPN SI TO-18 PD=360MW	28480	1854-0351
A32Q37	1854-0351	6		TRANSISTOR NPN SI TO-18 PD=360MW	28480	1854-0351
A32Q38	1853-0089	5		TRANSISTOR PNP 2N4917 SI PD=200MW	07263	2N4917
A32Q39	1853-0089	5		TRANSISTOR PNP 2N4917 SI PD=200MW	07263	2N4917
A32R1	0683-5605	9	1	RESISTOR 56 5% .25W FC TC=-400/+500	01121	CB5605
A32R3	0757-0421	4	5	RESISTOR 825 1% .125W F TC=0/+100	24546	C4-1/8-T0-825R-F
A32R4	0757-0426	9	2	RESISTOR 1.3K 1% .125W F TC=0/+100	24546	C4-1/8-T0-1301-F
A32R5	0757-0421	4		RESISTOR 825 1% .125W F TC=0/+100	24546	C4-1/8-T0-825R-F
A32R6	0698-4425	0		RESISTOR 1.54K 1% .125W F TC=0/+100	24546	C4-1/8-T0-1541-F
A32R7	0683-4705	8		RESISTOR 47 5% .25W FC TC=-400/+500	01121	CB4705
A32R8	0683-4705	8		RESISTOR 47 5% .25W FC TC=-400/+500	01121	CB4705
A32R9	0683-3025	3		RESISTOR 3K 5% .25W FC TC=-400/+700	01121	CB3025
A32R11	0683-4715	0		RESISTOR 470 5% .25W FC TC=-400/+600	01121	CB4715
A32R12	0683-4715	0		RESISTOR 470 5% .25W FC TC=-400/+600	01121	CB4715
A32R13	0683-4705	8		RESISTOR 47 5% .25W FC TC=-400/+500	01121	CB4705
A32R14	0683-4705	8		RESISTOR 47 5% .25W FC TC=-400/+500	01121	CB4705
A32R15	0757-0421	4		RESISTOR 825 1% .125W F TC=0/+100	24546	C4-1/8-T0-825R-F
A32R16	0757-0407	6		RESISTOR 200 1% .125W F TC=0/+100	24546	C4-1/8-T0-201-F
A32R17	0683-5125	8		RESISTOR 5.1K 5% .25W FC TC=-400/+700	01121	CB5125
A32R18	0683-2005	7	2	RESISTOR 20 5% .25W FC TC=-400/+500	01121	CB2005
A32R19	0683-1825	7		RESISTOR 1.8K 5% .25W FC TC=-400/+700	01121	CB1825
A32R20	0683-2025	1		RESISTOR 2K 5% .25W FC TC=-400/+700	01121	CB2025
A32R22	0683-1825	7		RESISTOR 1.8K 5% .25W FC TC=-400/+700	01121	CB1825
A32R23	0683-3025	3		RESISTOR 3K 5% .25W FC TC=-400/+700	01121	CB3025

See introduction to this section for ordering information  
 \*Indicates factory selected value

**Table 9-3. Replaceable Parts (Cont'd)**

Reference Designation	HP Part Number	C D	Qty	Description	Mfr Code	Mfr Part Number
A32R24	0757-0428	1	3	RESISTOR 1.62K 1% .125W F TC=0+-100	24546	C4-1/8-T0-1621-F
A32R25	0757-0444	1		RESISTOR 12.1K 1% .125W F TC=0+-100	24546	C4-1/8-T0-1212-F
A32R26	0757-0434	9		RESISTOR 3.65K 1% .125W F TC=0+-100	24546	C4-1/8-T0-3651-F
A32R27	0683-5125	8		RESISTOR 5.1K 5% .25W FC TC=400/+700	01121	CB5125
A32R28	0683-5125	8		RESISTOR 5.1K 5% .25W FC TC=400/+700	01121	CB5125
A32R29	0698-3259	6	1	RESISTOR 7.87K 1% .125W F TC=0+-100	24546	C4-1/8-T0-7871-F
A32R31	0757-0161	9		RESISTOR 604 1% .125W F TC=0+-100	24546	C4-1/8-T0-604R-F
A32R32	0683-2025	1		RESISTOR 2K 5% .25W FC TC=400/+700	01121	CB2025
A32R33	0683-2025	1		RESISTOR 2K 5% .25W FC TC=400/+700	01121	CB2025
A32R34	0683-2025	1		RESISTOR 2K 5% .25W FC TC=400/+700	01121	CB2025
A32R35	0683-1025	9		RESISTOR 1K 5% .25W FC TC=400/+600	01121	CB1025
A32R36	0683-1025	9		RESISTOR 1K 5% .25W FC TC=400/+600	01121	CB1025
A32R37	0683-1025	9		RESISTOR 1K 5% .25W FC TC=400/+600	01121	CB1025
A32R38	0683-3925	2		RESISTOR 3.9K 5% .25W FC TC=400/+700	01121	CB3925
A32R39	0683-3925	2		RESISTOR 3.9K 5% .25W FC TC=400/+700	01121	CB3925
A32R41	0683-3925	2		RESISTOR 3.9K 5% .25W FC TC=400/+700	01121	CB3925
A32R42	0683-4705	8		RESISTOR 47 5% .25W FC TC=400/+500	01121	CB4705
A32R43	0757-0435	0	1	RESISTOR 3.92K 1% .125W F TC=0+-100	24546	C4-1/8-T0-3921-F
A32R44	0683-4705	8		RESISTOR 47 5% .25W FC TC=400/+500	01121	CB4705
A32R45	0757-0439	4	2	RESISTOR 6.81K 1% .125W F TC=0+-100	24546	C4-1/8-T0-6811-F
A32R46	0757-0442	9		RESISTOR 10K 1% .125W F TC=0+-100	24546	C4-1/8-T0-1002-F
A32R48	0683-4705	8		RESISTOR 47 5% .25W FC TC=400/+500	01121	CB4705
A32R49	2100-3054	6		RESISTOR-TRMR 50K 10% C SIDE-ADJ 17-TRN	02111	43P503
A32R50	0683-1025	9		RESISTOR 1K 5% .25W FC TC=400/+600	01121	CB1025
A32R51	0757-0442	9		RESISTOR 10K 1% .125W F TC=0+-100	24546	C4-1/8-T0-1002-F
A32R52	0683-5625	3		RESISTOR 5.6K 5% .25W FC TC=400/+700	01121	CB5625
A32R53	0757-0442	9		RESISTOR 10K 1% .125W F TC=0+-100	24546	C4-1/8-T0-1002-F
A32R54	0757-0283	6		RESISTOR 2K 1% .125W F TC=0+-100	24546	C4-1/8-T0-2001-F
A32R55	0757-0401	0		RESISTOR 100 1% .125W F TC=0+-100	24546	C4-1/8-T0-101-F
A32R56	2100-3154	7		RESISTOR-TRMR 1K 10% C SIDE-ADJ 17-TRN	02111	43P102
A32R57	0698-4374	8	1	RESISTOR 29.4 1% .125W F TC=0+-100	03888	PME55-1/8-T0-29R4-F
A32R58	0698-7332	4	1	RESISTOR 1M 1% .125W F TC=0+-100	28480	0698-7332
A32R59	0683-1065	7	1	RESISTOR 10M 5% .25W FC TC=900/+1100	01121	CB1065
A32R61	0683-4705	8		RESISTOR 47 5% .25W FC TC=400/+500	01121	CB4705
A32R62	0683-2025	1		RESISTOR 2K 5% .25W FC TC=400/+700	01121	CB2025
A32R63	0683-2025	1		RESISTOR 2K 5% .25W FC TC=400/+700	01121	CB2025
A32R64	0683-2025	1		RESISTOR 2K 5% .25W FC TC=400/+700	01121	CB2025
A32R65	0683-4705	8		RESISTOR 47 5% .25W FC TC=400/+500	01121	CB4705
A32R66	0683-1535	6		RESISTOR 15K 5% .25W FC TC=400/+800	01121	CB1535
A32R67	0698-3162	0		RESISTOR 46.4K 1% .125W F TC=0+-100	24546	C4-1/8-T0-4642-F
A32R68	0757-0439	4		RESISTOR 6.81K 1% .125W F TC=0+-100	24546	C4-1/8-T0-6811-F
A32R69	0683-1535	6		RESISTOR 15K 5% .25W FC TC=400/+800	01121	CB1535
A32R71	0683-4705	8		RESISTOR 47 5% .25W FC TC=400/+500	01121	CB4705
A32R72	0757-0416	7	4	RESISTOR 511 1% .125W F TC=0+-100	24546	C4-1/8-T0-511R-F
A32R73	0757-0440	7		RESISTOR 7.5K 1% .125W F TC=0+-100	24546	C4-1/8-T0-7501-F
A32R74	0757-0416	7		RESISTOR 511 1% .125W F TC=0+-100	24546	C4-1/8-T0-511R-F
A32R75	0757-0416	7		RESISTOR 511 1% .125W F TC=0+-100	24546	C4-1/8-T0-511R-F
A32R76	0757-0416	7		RESISTOR 511 1% .125W F TC=0+-100	24546	C4-1/8-T0-511R-F
A32R77	0683-4705	8		RESISTOR 47 5% .25W FC TC=400/+500	01121	CB4705
A32R78	0683-4705	8		RESISTOR 47 5% .25W FC TC=400/+500	01121	CB4705
A32R79	0683-3025	3		RESISTOR 3K 5% .25W FC TC=400/+700	01121	CB3025
A32R81	0683-4705	8		RESISTOR 47 5% .25W FC TC=400/+500	01121	CB4705
A32R82	0683-4705	8		RESISTOR 47 5% .25W FC TC=400/+500	01121	CB4705
A32R83	0683-1035	1		RESISTOR 10K 5% .25W FC TC=400/+700	01121	CB1035
A32R84	0683-1015	7		RESISTOR 100 5% .25W FC TC=400/+500	01121	CB1015
A32R85	0683-2005	7		RESISTOR 20 5% .25W FC TC=400/+500	01121	CB2005
A32R86	0683-1015	7		RESISTOR 100 5% .25W FC TC=400/+500	01121	CB1015
A32R87	0683-5115	6		RESISTOR 510 5% .25W FC TC=400/+600	01121	CB5115
A32R88	0683-1025	9		RESISTOR 1K 5% .25W FC TC=400/+600	01121	CB1025
A32R89	0683-5105	4		RESISTOR 51 5% .25W FC TC=400/+500	01121	CB5105
A32R91	0757-0421	4		RESISTOR 825 1% .125W F TC=0+-100	24546	C4-1/8-T0-825R-F
A32R92	0683-2025	1		RESISTOR 2K 5% .25W FC TC=400/+700	01121	CB2025
A32R93	0683-5105	4		RESISTOR 51 5% .25W FC TC=400/+500	01121	CB5105
A32R94	0683-1025	9		RESISTOR 1K 5% .25W FC TC=400/+600	01121	CB1025
A32R95	0683-1835	9		RESISTOR 18K 5% .25W FC TC=400/+800	01121	CB1835
A32R96	0683-1025	9		RESISTOR 1K 5% .25W FC TC=400/+600	01121	CB1025
A32R97	0683-5105	4		RESISTOR 51 5% .25W FC TC=400/+500	01121	CB5105
A32R98	0757-0283	6		RESISTOR 2K 1% .125W F TC=0+-100	24546	C4-1/8-T0-2001-F
A32R99	0683-5115	6		RESISTOR 510 5% .25W FC TC=400/+600	01121	CB5115
A32R101	0683-5105	4		RESISTOR 51 5% .25W FC TC=400/+500	01121	CB5105
A32R102	0757-0280	3		RESISTOR 1K 1% .125W F TC=0+-100	24546	C4-1/8-T0-1001-F
A32R103	0757-0421	4		RESISTOR 825 1% .125W F TC=0+-100	24546	C4-1/8-T0-825R-F
A32R104	0683-5115	6		RESISTOR 510 5% .25W FC TC=400/+600	01121	CB5115
A32R105	0683-6825	7		RESISTOR 6.8K 5% .25W FC TC=400/+700	01121	CB6825
A32R106	0683-1025	9		RESISTOR 1K 5% .25W FC TC=400/+600	01121	CB1025

See introduction to this section for ordering information  
 \*Indicates factory selected value

Table 9-3. Replaceable Parts (Cont'd)

Reference Designation	HP Part Number	C D	Qty	Description	Mfr Code	Mfr Part Number
A32R107	0683-5105	4		RESISTOR 51 5% .25W FC TC=-400/+500	01121	CB5105
A32R108	0683-5105	4		RESISTOR 51 5% .25W FC TC=-400/+500	01121	CB5105
A32R109	0757-0419	0		RESISTOR 681 1% .125W F TC=0/+100	24546	C4-1/8-T0-681R-F
A32R111	0683-1015	7		RESISTOR 100 5% .25W FC TC=-400/+500	01121	CB1015
A32R112	0683-1025	9		RESISTOR 1K 5% .25W FC TC=-400/+600	01121	CB1025
A32U1	1820-1196	8		IC FF TTL LS D-TYPE POS-EDGE-TRIG COM	01295	SN74LS174N
A32U2	1821-0001	4	1	TRANSISTOR ARRAY	01928	CA3046
A32U3	1810-0294	4	1	5330A F.L. PACKAGE	28480	1810-0294
A32U4	1820-0817	8		IC FF ECL D-M/S DUAL	04713	MC10131P
A32U5	1826-0021	8	1	OP AMP GP TO-99	27014	LM310M
				A32 MISCELLANEOUS PARTS		
	03585-05232	8	1	LID, A32	28480	03585-05232
	0370-2583	3		KNOB	28480	0370-2583
	1400-0971	5		L-BRACKET	28480	1400-0971
	1251-0600	0		CONNECTOR-SGL CONT PIN 1,14-MM-BSC-8Z 80	28480	1251-0600
	2950-0078	9		NUT-MEX-DBL-CHAM 10-32-THD .067-IN-THK	28480	2950-0078
	2190-0124	4		WASHER-LK INTL T NO. 10 .195-IN-ID	28480	2190-0124
	2200-0101	0		SCREW-MACH 4-40 .188-IN-LG PAN-RO-POZI	00000	ORDER BY DESCRIPTION
A33	03585-66533	0	1	PC ASSEMBLY, FFS ACC	28480	03585-66533
A33C1	0160-3847	9		CAPACITOR-FXD .01UF +100-0% 50VDC CER	28480	0160-3847
A33C2	0160-3874	2		CAPACITOR-FXD 10PF +/-5PF 200VDC CER	28480	0160-3874
A33C3	0160-4571	8		CAPACITOR-FXD .1UF +80-20% 50VDC CER	28480	0160-4571
A33C4	0160-4571	8		CAPACITOR-FXD .1UF +80-20% 50VDC CER	28480	0160-4571
A33C6	0160-3847	9		CAPACITOR-FXD .01UF +100-0% 50VDC CER	28480	0160-3847
A33C7	0160-3847	9		CAPACITOR-FXD .01UF +100-0% 50VDC CER	28480	0160-3847
A33C8	0160-4571	8		CAPACITOR-FXD .1UF +80-20% 50VDC CER	28480	0160-4571
A33C9	0160-4571	8		CAPACITOR-FXD .1UF +80-20% 50VDC CER	28480	0160-4571
A33C10	0160-4571	8		CAPACITOR-FXD .1UF +80-20% 50VDC CER	28480	0160-4571
A33C11	0160-4571	8		CAPACITOR-FXD .1UF +80-20% 50VDC CER	28480	0160-4571
A33C12	0140-0210	2		CAPACITOR-FXD 270PF +/-5% 300VDC MICA	72136	DM15F271J0300MV1CR
A33C13	0160-4571	8		CAPACITOR-FXD .1UF +80-20% 50VDC CER	28480	0160-4571
A33C14	0160-4571	8		CAPACITOR-FXD .1UF +80-20% 50VDC CER	28480	0160-4571
A33C15	0180-0194	5	1	CAPACITOR-FXD 150UF+-10% 15VDC TA	56289	150D157X901582
A33C16	0160-4571	8		CAPACITOR-FXD .1UF +80-20% 50VDC CER	28480	0160-4571
A33C21	0160-4350	1	1	CAPACITOR-FXD 68PF +/-5% 200VDC CER 0+/-30	28480	0160-4350
A33C22	0160-4571	8		CAPACITOR-FXD .1UF +80-20% 50VDC CER	28480	0160-4571
A33CR1	1902-3030	7	1	DIODE-ZNR 3.01V 5% DO-7 PD=.4W TC=-.067%	28480	1902-3030
A33CR2	1902-0800	3	1	DIODE-ZNR 8.25V 5% DO-15 PD=1W TC=+.053%	28480	1902-0800
A33CR3	1902-3105	7	1	DIODE-ZNR 5.62V 2% DO-7 PD=.4W TC=+.016%	28480	1902-3105
A33J2	1250-1512	3		CONNECTOR-RF SMB M PC 50-OHM	28480	1250-1512
A33J3	1250-1512	3		CONNECTOR-RF SMB M PC 50-OHM	28480	1250-1512
A33L3	9100-0541	7		COIL-MLD 250UH 10% Q=3 .25DX,5LG-NOM	28480	9100-0541
A33L4	9100-0541	7		COIL-MLD 250UH 10% Q=3 .25DX,5LG-NOM	28480	9100-0541
A3301	1853-0089	5		TRANSISTOR PNP 2N4917 SI PD=200MW	07263	2N4917
A3302	1853-0089	5		TRANSISTOR PNP 2N4917 SI PD=200MW	07263	2N4917
A3303	1853-0089	5		TRANSISTOR PNP 2N4917 SI PD=200MW	07263	2N4917
A3304	1853-0089	5		TRANSISTOR PNP 2N4917 SI PD=200MW	07263	2N4917
A3305	1854-0351	6		TRANSISTOR NPN SI TO-18 PD=360MW	28480	1854-0351
A3306	1853-0012	4		TRANSISTOR PNP 2N2904A SI TO-39 PD=600MW	01295	2N2904A
A3307	1854-0039	7		TRANSISTOR NPN 2N3053B SI TO-39 PD=1W	01928	2N3053B
A33R1	0683-5125	8		RESISTOR 5.1K 5% .25W FC TC=-400/+700	01121	CB5125
A33R2	0683-2715	6		RESISTOR 270 5% .25W FC TC=-400/+600	01121	CB2715
A33R3	0683-4315	6		RESISTOR 430 5% .25W FC TC=-400/+600	01121	CB4315
A33R4	0683-1025	9		RESISTOR 1K 5% .25W FC TC=-400/+600	01121	CB1025
A33R5	0683-1025	9		RESISTOR 1K 5% .25W FC TC=-400/+600	01121	CB1025
A33R6	0683-1025	9		RESISTOR 1K 5% .25W FC TC=-400/+600	01121	CB1025
A33R7	0683-1025	9		RESISTOR 1K 5% .25W FC TC=-400/+600	01121	CB1025
A33R8	0683-4705	8		RESISTOR 47 5% .25W FC TC=-400/+500	01121	CB4705
A33R9	0683-5105	4		RESISTOR 51 5% .25W FC TC=-400/+500	01121	CB5105
A33R10	0683-4705	8		RESISTOR 47 5% .25W FC TC=-400/+500	01121	CB4705
A33R11	0683-1515	2		RESISTOR 150 5% .25W FC TC=-400/+600	01121	CB1515
A33R12	0683-2025	1		RESISTOR 2K 5% .25W FC TC=-400/+700	01121	CB2025
A33R13	0683-2025	1		RESISTOR 2K 5% .25W FC TC=-400/+700	01121	CB2025
A33R14	0683-2025	1		RESISTOR 2K 5% .25W FC TC=-400/+700	01121	CB2025
A33R15	0683-2025	1		RESISTOR 2K 5% .25W FC TC=-400/+700	01121	CB2025
A33R20	0683-1035	1		RESISTOR 10K 5% .25W FC TC=-400/+700	01121	CB1035
A33R21	0698-4436	3	1	RESISTOR 2.8K 1% .125W F TC=0/+100	24546	C4-1/8-T0-2801-F
A33R22	0683-2025	1		RESISTOR 2K 5% .25W FC TC=-400/+700	01121	CB2025
A33R23	0683-2025	1		RESISTOR 2K 5% .25W FC TC=-400/+700	01121	CB2025
A33R24	0683-2025	1		RESISTOR 2K 5% .25W FC TC=-400/+700	01121	CB2025

See introduction to this section for ordering information  
 \*Indicates factory selected value

**Table 9-3. Replaceable Parts (Cont'd)**

Reference Designation	HP Part Number	C D	Qty	Description	Mfr Code	Mfr Part Number
A33R25	0683-2025	1		RESISTOR 2K 5% .25W FC TC=-400/+700	01121	CB2025
A33R26	0683-2025	1		RESISTOR 2K 5% .25W FC TC=-400/+700	01121	CB2025
A33R27	0683-2025	1		RESISTOR 2K 5% .25W FC TC=-400/+700	01121	CB2025
A33R30	0683-2025	1		RESISTOR 2K 5% .25W FC TC=-400/+700	01121	CB2025
A33R31	0683-2025	1		RESISTOR 2K 5% .25W FC TC=-400/+700	01121	CB2025
A33R32	0683-2025	1		RESISTOR 2K 5% .25W FC TC=-400/+700	01121	CB2025
A33R33	0683-2015	9		RESISTOR 200 5% .25W FC TC=-400/+600	01121	CB2015
A33R34	0683-1025	9		RESISTOR 1K 5% .25W FC TC=-400/+600	01121	CB1025
A33R36	0683-1025	9		RESISTOR 1K 5% .25W FC TC=-400/+600	01121	CB1025
A33R37	0683-1525	4		RESISTOR 1.5K 5% .25W FC TC=-400/+700	01121	CB1525
A33R38	0683-3615	7	5	RESISTOR 360 5% .25W FC TC=-400/+600	01121	CB3615
A33R39	0683-3615	7		RESISTOR 360 5% .25W FC TC=-400/+600	01121	CB3615
A33R40	0683-5625	3		RESISTOR 5.6K 5% .25W FC TC=-400/+700	01121	CB5625
A33R41	0683-1025	9		RESISTOR 1K 5% .25W FC TC=-400/+600	01121	CB1025
A33R42	0683-1025	9		RESISTOR 1K 5% .25W FC TC=-400/+600	01121	CB1025
A33R45	0683-4315	6		RESISTOR 430 5% .25W FC TC=-400/+600	01121	CB4315
A33R46	0683-2715	6		RESISTOR 270 5% .25W FC TC=-400/+600	01121	CB2715
A33R47	0683-5115	6		RESISTOR 510 5% .25W FC TC=-400/+600	01121	CB5115
A33R48	0683-4705	8		RESISTOR 47 5% .25W FC TC=-400/+500	01121	CB4705
A33R50	0683-1025	9		RESISTOR 1K 5% .25W FC TC=-400/+600	01121	CB1025
A33R51	0683-1025	9		RESISTOR 1K 5% .25W FC TC=-400/+600	01121	CB1025
A33R52	0683-1025	9		RESISTOR 1K 5% .25W FC TC=-400/+600	01121	CB1025
A33R53	0683-4705	8		RESISTOR 47 5% .25W FC TC=-400/+500	01121	CB4705
A33R54	0683-4705	8		RESISTOR 47 5% .25W FC TC=-400/+500	01121	CB4705
A33R55	0683-5115	6		RESISTOR 510 5% .25W FC TC=-400/+600	01121	CB5115
A33R56	0683-5115	6		RESISTOR 510 5% .25W FC TC=-400/+600	01121	CB5115
A33R57	0683-2415	3	5	RESISTOR 240 5% .25W FC TC=-400/+600	01121	CB2415
A33R58	0683-1015	7		RESISTOR 100 5% .25W FC TC=-400/+500	01121	CB1015
A33R59	0683-4705	8		RESISTOR 47 5% .25W FC TC=-400/+500	01121	CB4705
A33R65	0683-6815	5		RESISTOR 680 5% .25W FC TC=-400/+600	01121	CB6815
A33R67	0698-3696	5	1	RESISTOR 39 5% 1W MD TC=0+-200	27167	FP32-1-T00-39R0-J
A33R68	0683-1125	0	2	RESISTOR 1.1K 5% .25W FC TC=-400/+700	01121	CB1125
A33R69	0683-2025	1		RESISTOR 2K 5% .25W FC TC=-400/+700	01121	CB2025
A33U1	1820-0810	1		IC RCVR ECL LINE RCVR TPL 2-INP	04713	MC10116P
A33U2	1820-0693	8		IC FF TTL S D-TYPE POS-EDGE-TRIG	01295	SN74874N
A33U3	1820-0817	8		IC FF ECL D-M/S DUAL	04713	MC10131P
A33U4	1820-0817	8		IC FF ECL D-M/S DUAL	04713	MC10131P
A33U5	1820-0820	3	1	IC FF ECL J-BAR K-BAR COM CLOCK DUAL	04713	MC10135L
A33U6	1820-0629	0	4	IC FF TTL S J-K NEG-EDGE-TRIG	01295	SN748112N
A33U7	1820-0629	0	3	IC FF TTL S J-K NEG-EDGE-TRIG	01295	SN748112N
A33U8	1820-1322	2	3	IC GATE TTL S NOR QUAD 2-INP	01295	SN74802N
A33U9	1820-0681	4	5	IC GATE TTL S NAND QUAD 2-INP	01295	SN74800N
A33U10	1820-0681	4		IC GATE TTL S NAND QUAD 2-INP	01295	SN74800N
A33U11	1820-0681	4		IC GATE TTL S NAND QUAD 2-INP	01295	SN74800N
A33U12	1820-0629	0		IC FF TTL S J-K NEG-EDGE-TRIG	01295	SN748112N
A33U13	1820-0629	0		IC FF TTL S J-K NEG-EDGE-TRIG	01295	SN748112N
A33U14	1820-1279	8	2	IC CNTR TTL LS DECD UP/DOWN SYNCHRD	01295	SN74LS190N
A33U15	1820-1279	8		IC CNTR TTL LS DECD UP/DOWN SYNCHRD	01295	SN74LS190N
A33U16	1820-1196	8		IC FF TTL LS D-TYPE POS-EDGE-TRIG COM	01295	SN74LS174N
A33U17	1820-1196	8		IC FF TTL LS D-TYPE POS-EDGE-TRIG COM	01295	SN74LS174N
A33U18	1820-1144	6	12	IC GATE TTL LS NOR QUAD 2-INP	01295	SN74LS02N
A33U19	1820-2004	9	1		28480	1820-2004
A33U20	1820-0683	6	3	IC INV TTL S HEX 1-INP	01295	SN74804N
A33U21	1820-0810	1		IC RCVR ECL LINE RCVR TPL 2-INP	04713	MC10116P
A33U22	1820-0681	4		IC GATE TTL S NAND QUAD 2-INP	01295	SN74800N
				A33 MISCELLANEOUS PARTS		
	03585-05233	9	1	LID, A33	28480	03585-05233
	0370-2583	3		KNOB	28480	0370-2583
	1400-0971	5		L-BRACKET	28480	1400-0971
	2200-0101	0		SCREW-MACH 4-40 .188-IN-LG PAN-HD-POZI	00000	ORDER BY DESCRIPTION
	2950-0078	9		NUT-HEX-DBL-CHAM 10-32-THD .067-IN-TMK	28480	2950-0078
	2190-0124	4		WASHER-LK INTL T NO. 10 .195-IN-ID	28480	2190-0124
A34	03585-66534	1	1	INTERFACE, REGULATOR	28480	03585-66534
A34C1	0160-3847	9		CAPACITOR-FXD .01UF +100-0% 50VDC CER	28480	0160-3847
A34C2	0160-3847	9		CAPACITOR-FXD .01UF +100-0% 50VDC CER	28480	0160-3847
A34C3	0160-3847	9		CAPACITOR-FXD .01UF +100-0% 50VDC CER	28480	0160-3847
A34C5	0180-0291	3		CAPACITOR-FXD 1UF+-10% 35VDC TA	56289	150D105X9035A2
A34C6	0180-1794	3		CAPACITOR-FXD 22UF+-10% 35VDC TA	56289	150D226X9035R2
A34C7	0160-3847	9		CAPACITOR-FXD .01UF +100-0% 50VDC CER	28480	0160-3847
A34C8	0140-0199	6		CAPACITOR-FXD 240PF +-5% 300VDC MICA	72136	DM15F241J0300MV1CR
A34C9	0160-2257	3		CAPACITOR-FXD 10PF +-5% 500VDC CER 0+-60	28480	0160-2257
A34C10	0180-1746	5		CAPACITOR-FXD 15UF+-10% 20VDC TA	56289	150D156X902082
A34C11	0180-0291	3		CAPACITOR-FXD 1UF+-10% 35VDC TA	56289	150D105X9035A2

See introduction to this section for ordering information  
\*Indicates factory selected value

Table 9-3. Replaceable Parts (Cont'd)

Reference Designation	HP Part Number	C D	Qty	Description	Mfr Code	Mfr Part Number
A34C12	0180-1794	3		CAPACITOR-FXD 22UF+-10% 35VDC TA	56289	150D226X9035R2
A34C13	0160-3847	9		CAPACITOR-FXD .01UF +100-0% 50VDC CER	28480	0160-3847
A34C14	0180-1746	5		CAPACITOR-FXD 15UF+-10% 20VDC TA	56289	150D156X9020B2
A34C15	0160-2199	2		CAPACITOR-FXD 30PF +-5% 300VDC MICA	28480	0160-2199
A34C16	0180-0197	8		CAPACITOR-FXD 2.2UF+-10% 20VDC TA	56289	150D225X9020A2
A34C17	0180-0228	6		CAPACITOR-FXD 22UF+-10% 15VDC TA	56289	150D226X9015B2
A34C18	0160-0298	8	1	CAPACITOR-FXD 1500PF +-10% 200VDC POLYE	28480	0160-0298
A34C20	0180-1746	5		CAPACITOR-FXD 15UF+-10% 20VDC TA	56289	150D156X9020B2
A34C30	0160-3622	8		CAPACITOR-FXD .1UF +80-20% 100VDC CER	26654	2130Y5V100R104Z
A34C31	0160-3622	8		CAPACITOR-FXD .1UF +80-20% 100VDC CER	26654	2130Y5V100R104Z
A34C32	0160-3622	8		CAPACITOR-FXD .1UF +80-20% 100VDC CER	26654	2130Y5V100R104Z
A34C33	0160-3622	8		CAPACITOR-FXD .1UF +80-20% 100VDC CER	26654	2130Y5V100R104Z
A34C34	0160-3622	8		CAPACITOR-FXD .1UF +80-20% 100VDC CER	26654	2130Y5V100R104Z
A34C35	0160-3622	8		CAPACITOR-FXD .1UF +80-20% 100VDC CER	26654	2130Y5V100R104Z
A34C36	0160-3622	8		CAPACITOR-FXD .1UF +80-20% 100VDC CER	26654	2130Y5V100R104Z
A34C37	0160-3622	8		CAPACITOR-FXD .1UF +80-20% 100VDC CER	26654	2130Y5V100R104Z
A34C38	0160-3622	8		CAPACITOR-FXD .1UF +80-20% 100VDC CER	26654	2130Y5V100R104Z
A34CR1	1901-0040	1		DIODE-SWITCHING 30V 50MA 2NS DO-35	28480	1901-0040
A34CR2	1901-0040	1		DIODE-SWITCHING 30V 50MA 2NS DO-35	28480	1901-0040
A34CR3	1901-0040	1		DIODE-SWITCHING 30V 50MA 2NS DO-35	28480	1901-0040
A34CR4	1901-0040	1		DIODE-SWITCHING 30V 50MA 2NS DO-35	28480	1901-0040
A34CR7	1901-0040	1		DIODE-SWITCHING 30V 50MA 2NS DO-35	28480	1901-0040
A34CR8	1901-0040	1		DIODE-SWITCHING 30V 50MA 2NS DO-35	28480	1901-0040
A34CR9	1902-0064	1		DIODE-ZNR 7.5V 5% DO-7 PD=.4W TC=+.05%	28480	1902-0064
A34CR10	1902-0777	1		DIODE-ZNR 1N825 6.2V 5% DO-7 PD=.4W	04713	1N825
A34CR11	1902-0777	3		DIODE-ZNR 1N825 6.2V 5% DO-7 PD=.4W	04713	1N825
A34D81	1990-0486	6		LED-VISIBLE LUM-INT=1MCD IF=20MA-MAX	28480	5082-4684
A34D82	1990-0486	6		LED-VISIBLE LUM-INT=1MCD IF=20MA-MAX	28480	5082-4684
A34D83	1990-0486	6		LED-VISIBLE LUM-INT=1MCD IF=20MA-MAX	28480	5082-4684
A34D84	1990-0486	6		LED-VISIBLE LUM-INT=1MCD IF=20MA-MAX	28480	5082-4684
A34J2	1250-1368	7		CONNECTOR-RF SMB M PC 50-OHM	28480	1250-1368
A34J3	1250-1368	7		CONNECTOR-RF SMB M PC 50-OHM	28480	1250-1368
A34L1	9100-0541	7		COIL-MLD 250UH 10% Q=3 .25DX.5LG-NOM	28480	9100-0541
A34Q1	1854-0351	6		TRANSISTOR NPN SI TO-18 PD=360MW	28480	1854-0351
A34Q2	1854-0063	7	2	TRANSISTOR NPN 2N3055 SI TO-3 PD=115W	28480	1854-0063
A34Q3	1853-0010	2		TRANSISTOR PNP SI TO-18 PD=360MW	28480	1853-0010
A34Q4	1854-0053	5	1	TRANSISTOR NPN 2N2218 SI TO-5 PD=800MW	04713	2N2218
A34Q5	1854-0063	7		TRANSISTOR NPN 2N3055 SI TO-3 PD=115W	28480	1854-0063
A34R5	0760-0009	1	3	RESISTOR 100K 2% 1W MO TC=0+-200	28480	0760-0009
A34R6	0760-0009	1		RESISTOR 100K 2% 1W MO TC=0+-200	28480	0760-0009
A34R7	0683-1815	5	4	RESISTOR 180 5% .25W FC TC=-400/+600	01121	C81815
A34R8	0683-1815	5		RESISTOR 180 5% .25W FC TC=-400/+600	01121	C81815
A34R9	0683-1815	5		RESISTOR 180 5% .25W FC TC=-400/+600	01121	C81815
A34R10	0683-1815	5		RESISTOR 180 5% .25W FC TC=-400/+600	01121	C81815
A34R15	0683-1835	9		RESISTOR 18K 5% .25W FC TC=-400/+800	01121	C81835
A34R16	0683-3315	4		RESISTOR 330 5% .25W FC TC=-400/+600	01121	C83315
A34R17	0683-1515	2		RESISTOR 150 5% .25W FC TC=-400/+600	01121	C81515
A34R18	0683-0275	9		RESISTOR 2.7 5% .25W FC TC=-400/+500	01121	C82755
A34R19	0813-0029	8	1	RESISTOR 1 3% 3W PW TC=0+-50	28480	0813-0029
A34R20	0683-3635	1	1	RESISTOR 36K 5% .25W FC TC=-400/+800	01121	C83635
A34R21	0698-3498	5	1	RESISTOR 8.66K 1% .125W F TC=0+-100	24546	C4-1/8-T0-866R-F
A34R22	0698-3512	4	1	RESISTOR 1.18K 1% .125W F TC=0+-100	24546	C4-1/8-T0-1181-F
A34R23	0683-3625	9		RESISTOR 3.6K 5% .25W FC TC=-400/+700	01121	C83625
A34R24	0757-0290	5	1	RESISTOR 6.19K 1% .125W F TC=0+-100	19701	MF4C1/8-T0-6191-F
A34R25	0757-0426	9		RESISTOR 1.3K 1% .125W F TC=0+-100	24546	C4-1/8-T0-1301-F
A34R26	0683-1025	9		RESISTOR 1K 5% .25W FC TC=-400/+600	01121	C81025
A34R27	0683-1025	9		RESISTOR 1K 5% .25W FC TC=-400/+600	01121	C81025
A34R28	0683-1015	7		RESISTOR 100 5% .25W FC TC=-400/+500	01121	C81015
A34R29	0683-1025	9		RESISTOR 1K 5% .25W FC TC=-400/+600	01121	C81025
A34R32	2100-3273	1	6	RESISTOR-TRMR 2K 10% C SIDE-ADJ 1-TRN	28480	2100-3273
A34R33	0683-1035	1		RESISTOR 10K 5% .25W FC TC=-400/+700	01121	C81035
A34R50	0683-2015	9		RESISTOR 200 5% .25W FC TC=-400/+600	01121	C82015
A34R51	0683-2015	9		RESISTOR 200 5% .25W FC TC=-400/+600	01121	C82015
A34R52	0683-2015	9		RESISTOR 200 5% .25W FC TC=-400/+600	01121	C82015
A34R53	0683-2015	9		RESISTOR 200 5% .25W FC TC=-400/+600	01121	C82015
A34R54	0683-2015	9		RESISTOR 200 5% .25W FC TC=-400/+600	01121	C82015
A34R55	0683-2015	9		RESISTOR 200 5% .25W FC TC=-400/+600	01121	C82015
A34R56	0683-2015	9		RESISTOR 200 5% .25W FC TC=-400/+600	01121	C82015
A34R57	0683-2015	9		RESISTOR 200 5% .25W FC TC=-400/+600	01121	C82015
A34R58	0683-2015	9		RESISTOR 200 5% .25W FC TC=-400/+600	01121	C82015
A34R60	0683-2735	0		RESISTOR 27K 5% .25W FC TC=-400/+800	01121	C82735
A34R61	0683-1035	1		RESISTOR 10K 5% .25W FC TC=-400/+700	01121	C81035
A34R62	0683-1035	1		RESISTOR 10K 5% .25W FC TC=-400/+700	01121	C81035

See introduction to this section for ordering information  
 \*Indicates factory selected value



**Table 9-3. Replaceable Parts (Cont'd)**

Reference Designation	HP Part Number	C D	Qty	Description	Mfr Code	Mfr Part Number
A34R63	0683-1035	1		RESISTOR 10K 5% .25W FC TC=-400/+700	01121	C81035
A34R64	0760-0009	1		RESISTOR 100K 2% 1W MO TC=0+-200	28480	0760-0009
A34U1	1820-1196	8		IC FF TTL LS D-TYPE POS-EDGE-TRIG COM	01295	SN74LS174N
A34U2	1820-1144	6		IC GATE TTL LS NOR QUAD 2-INP	01295	SN74LS02N
A34U3	1820-1144	6		IC GATE TTL LS NOR QUAD 2-INP	01295	SN74LS02N
A34U4	1820-1195	7		IC FF TTL LS D-TYPE POS-EDGE-TRIG COM	01295	SN74LS175N
A34U5	1820-1195	7		IC FF TTL LS D-TYPE POS-EDGE-TRIG COM	01295	SN74LS175N
A34U6	1820-1196	8		IC FF TTL LS D-TYPE POS-EDGE-TRIG COM	01295	SN74LS174N
A34U7	1826-0138	8		COMPARATOR GP QUAD 14-DIP-P	04713	MLM339P
A34U8	1820-1197	9	8	IC GATE TTL LS NAND QUAD 2-INP	01295	SN74LS00N
A34U9	1820-1112	8	20	IC FF TTL LS D-TYPE POS-EDGE-TRIG	01295	SN74LS74N
A34U10	1820-1195	7		IC FF TTL LS D-TYPE POS-EDGE-TRIG COM	01295	SN74LS175N
A34U11	1820-1431	4	1	IC CNTR TTL LS DECD SYNCHRO	01295	SN7468162AN
A34U12	1820-0054	5	1	IC GATE TTL NAND QUAD 2-INP	01295	SN7400N
A34U13	1820-1204	9		IC GATE TTL LS NAND DUAL 4-INP	01295	SN74LS20N
A34U14	1820-1282	3	1	IC FF TTL LS J-K BAR POS-EDGE-TRIG	01295	SN7468109AN
A34U15	1820-1197	9		IC GATE TTL LS NAND QUAD 2-INP	01295	SN74LS00N
A34U17	1820-0223	0		OP AMP GP TO-99	04713	MLM301AG
A34U18	1826-0402	9		IC V RGLTR TO-3	80103	LAS-1515
A34U19	1820-0223	0		OP AMP GP TO-99	04713	MLM301AG
A34 MISCELLANEOUS PARTS						
	0340-0580	3	3	INSULATOR-XSTR RUBBER RED TO-3	28480	0340-0580
	03585-01104	5	1	HEAT SINK	28480	03585-01104
	0590-1054	7		THREADED INSERT=NUT 6-32 .065-LG SST	28480	0590-1054
	1251-0600	0		CONNECTOR-SGL CONT PIN 1.14-MM-BSC-8Z SQ	28480	1251-0600
	2360-0117	6	28	SCREW-MACH 6-32 .375-IN-LG PAN-HD-POZI	00000	ORDER BY DESCRIPTION
	2360-0115	4		SCREW-MACH 6-32 .312-IN-LG PAN-HD-POZI	00000	ORDER BY DESCRIPTION
A40	03585-66540	9	1	DIGITAL MOTHERBOARD	28480	03585-66540
A40J1	1251-3475	3	2	CONNECTOR 10-PIN M POST TYPE	28480	1251-3475
A40 MISCELLANEOUS PARTS						
	1200-0548	8	4	SOCKET-IC 14-CONT DIP DIP-SLDR	52072	CA-145-10SD
	1200-0888	9	1	SOCKET-IC 24-CONT DIP DIP-SLDR	52072	CA-245-10SD
	1251-2026	8	1	CONNECTOR-PC EDGE 18-CONT/ROW 2-ROWS	28480	1251-2026
	1251-5157	2	1	CONNECTOR-PC EDGE 43-CONT/ROW 2-ROWS	28480	1251-5157
	0360-0124			CONNECTOR-SGL CONT PIN .04-IN-BSC-SZ RND	28480	0360-0124
A41	03585-66541	0	1	PROCESSOR BOARD	28480	03585-66541
A41C1	0180-0309	4		CAPACITOR-FXD 4.7UF+-20% 10VDC TA	56289	150D475X0010A2
A41C2	0180-1746	5		CAPACITOR-FXD 15UF+-10% 20VDC TA	56289	150D156X9020B2
A41C3	0180-0210	6		CAPACITOR-FXD 3.3UF+-20% 15VDC TA	56289	150D335X0015A2
A41C4	0180-0229	7		CAPACITOR-FXD 33UF+-10% 10VDC TA	56289	150D336X9010B2
A41C5	0160-3847	9		CAPACITOR-FXD .01UF +100-0% 50VDC CER	28480	0160-3847
A41C6	0160-3847	9		CAPACITOR-FXD .01UF +100-0% 50VDC CER	28480	0160-3847
A41C7	0160-3847	9		CAPACITOR-FXD .01UF +100-0% 50VDC CER	28480	0160-3847
A41C8	0160-3847	9		CAPACITOR-FXD .01UF +100-0% 50VDC CER	28480	0160-3847
A41C9	0160-3847	9		CAPACITOR-FXD .01UF +100-0% 50VDC CER	28480	0160-3847
A41C10	0140-0200	0		CAPACITOR-FXD 390PF +-5% 300VDC MICA	72136	DM15F391J0300WV1CR
A41C11	0140-0200	0		CAPACITOR-FXD 390PF +-5% 300VDC MICA	72136	DM15F391J0300WV1CR
A41C12	0160-3847	9		CAPACITOR-FXD .01UF +100-0% 50VDC CER	28480	0160-3847
A41C13	0160-3847	9		CAPACITOR-FXD .01UF +100-0% 50VDC CER	28480	0160-3847
A41C14	0180-0229	7		CAPACITOR-FXD 33UF+-10% 10VDC TA	56289	150D336X9010B2
A41C15	0160-3847	9		CAPACITOR-FXD .01UF +100-0% 50VDC CER	28480	0160-3847
A41C16	0160-3847	9		CAPACITOR-FXD .01UF +100-0% 50VDC CER	28480	0160-3847
A41C19	0160-3847	9		CAPACITOR-FXD .01UF +100-0% 50VDC CER	28480	0160-3847
A41C20	0160-3847	9		CAPACITOR-FXD .01UF +100-0% 50VDC CER	28480	0160-3847
A41C21	0160-3847	9		CAPACITOR-FXD .01UF +100-0% 50VDC CER	28480	0160-3847
A41C23	0160-0207	9	1	CAPACITOR-FXD .01UF +-5% 200VDC POLYE	28480	0160-0207
A41C24	0160-2228	8	1	CAPACITOR-FXD 2700PF +-5% 300VDC MICA	28480	0160-2228
A41CR1	1901-0040	1		DIODE-SWITCHING 30V 50MA 2NS DO-35	28480	1901-0040
A41CR2	1902-3091	0	2	DIODE-ZNR 4.99V 5% DO-7 PD=.4W TC=-.012%	28480	1902-3091
A41CR3	1901-0040	1		DIODE-SWITCHING 30V 50MA 2NS DO-35	28480	1901-0040
A41J1	1251-4822	6		CONNECTOR 3-PIN M POST TYPE	28480	1251-4822
A41J1	1258-0141	8		JUMPER REMOVABLE	28480	1258-0141
A41J2	1251-4822	6		CONNECTOR 3-PIN M POST TYPE	28480	1251-4822
A41J2	1258-0141	8		JUMPER REMOVABLE FOR 0.025 IN SQ PINS	22526	65474-004
A41L1	9100-3458	1		CHOKER, WIDE BAND	28480	9100-3458
A41L2	9100-3458	1		CHOKER, WIDE BAND	28480	9100-3458
A41L3	9100-3458	1		CHOKER, WIDE BAND	28480	9100-3458

See introduction to this section for ordering information  
 \*Indicates factory selected value

Table 9-3. Replaceable Parts (Cont'd)

Reference Designation	HP Part Number	C D	Qty	Description	Mfr Code	Mfr Part Number
A4101	1854-0071	7		TRANSISTOR NPN SI PD=300MH FT=200MHZ	28480	1854-0071
A4102	1854-0071	7		TRANSISTOR NPN SI PD=300MH FT=200MHZ	28480	1854-0071
A41R1	0683-2225	3		RESISTOR 2,2K 5% .25W FC TC=-400/+700	01121	C82225
A41R2	0683-1025	9		RESISTOR 1K 5% .25W FC TC=-400/+600	01121	C81025
A41R3	0683-2225	3		RESISTOR 2,2K 5% .25W FC TC=-400/+700	01121	C82225
A41R4	0683-1025	9		RESISTOR 1K 5% .25W FC TC=-400/+600	01121	C81025
A41R5	0683-3615	7		RESISTOR 360 5% .25W FC TC=-400/+600	01121	C83615
A41R6	0683-1025	9		RESISTOR 1K 5% .25W FC TC=-400/+600	01121	C81025
A41R7	0683-3615	7		RESISTOR 360 5% .25W FC TC=-400/+600	01121	C83615
A41R8	0698-5842	7	2	RESISTOR 16 5% .25W FC TC=-400/+500	01121	C81605
A41R9	0698-5842	7		RESISTOR 16 5% .25W FC TC=-400/+500	01121	C81605
A41R10	0683-1025	9		RESISTOR 1K 5% .25W FC TC=-400/+600	01121	C81025
A41R11	0683-1025	9		RESISTOR 1K 5% .25W FC TC=-400/+600	01121	C81025
A41R12	0683-4715	0		RESISTOR 470 5% .25W FC TC=-400/+600	01121	C84715
A41R13	0683-2225	3		RESISTOR 2,2K 5% .25W FC TC=-400/+700	01121	C82225
A41R14	0683-2225	3		RESISTOR 2,2K 5% .25W FC TC=-400/+700	01121	C82225
A41R16	0683-2225	3		RESISTOR 2,2K 5% .25W FC TC=-400/+700	01121	C82225
A41R17	0683-1025	9		RESISTOR 1K 5% .25W FC TC=-400/+600	01121	C81025
A41R18	0683-1025	9		RESISTOR 1K 5% .25W FC TC=-400/+600	01121	C81025
A41R19	0683-1825	7		RESISTOR 1,8K 5% .25W FC TC=-400/+700	01121	C81825
A41R20	0683-1025	9		RESISTOR 1K 5% .25W FC TC=-400/+600	01121	C81025
A41R21	0683-1025	9		RESISTOR 1K 5% .25W FC TC=-400/+600	01121	C81025
A41R22	0698-4489	6	1	RESISTOR 28K 1% .125W F TC=0+-100	24546	C4-1/8-T0-2802-F
A41R23	0698-4486	3		RESISTOR 24,9K 1% .125W F TC=0+-100	24546	C4-1/8-T0-2492-F
A41R24	0698-4472	7	1	RESISTOR 7,68K 1% .125W F TC=0+-100	24546	C4-1/8-T0-7681-F
A41R25	0683-2225	3		RESISTOR 2,2K 5% .25W FC TC=-400/+700	01121	C82225
A41R26	0683-1035	1		RESISTOR 10K 5% .25W FC TC=-400/+700	01121	C81035
A41R27	0683-3025	3		RESISTOR 3K 5% .25W FC TC=-400/+700	01121	C83025
A41RP1	1810-0076	0	2	NETWORK-RES 9-PIN-SIP .15-PIN-SPCG	28480	1810-0076
A41RP2	1810-0076	0		NETWORK-RES 9-PIN-SIP .15-PIN-SPCG	28480	1810-0076
A41RP3	1810-0235	3	2	NETWORK-RES 16-PIN-DIP .1-PIN-SPCG	01121	316A222
A41RP4	1810-0235	3		NETWORK-RES 16-PIN-DIP .1-PIN-SPCG	01121	316A222
A41SP1	0960-0483	9	1	BUZZER	28480	0960-0483
A41TP1-8	0360-0124	3		CONNECTOR-SGL CONT PIN .04-IN-BSC-SZ RND	28480	0360-0124
A41U1	1820-1201	6	9	IC GATE TTL LS AND QUAD 2-INP	01295	SN74LS08N
A41U2	1820-1201	6		IC GATE TTL LS AND QUAD 2-INP	01295	SN74LS08N
A41U4	1820-1268	9	1	IC DRVR MOS CLOCK DRVR TTL-TO-MOS 1-INP	04713	MMH0026CL
A41U5	1820-0681	4		IC GATE TTL S NAND QUAD 2-INP	01295	SN74S00N
A41U6	1820-0683	6		IC INV TTL S HEX 1-INP	01295	SN74S04N
A41U7	1820-1469	8	4	IC FF TTL LS J-K NEG-EDGE-TRIG CLEAR	01295	SN7468107AN
A41U8	1820-1281	2	2	IC DCDR TTL LS 2-TO-4-LINE DUAL 2-INP	01295	SN74LS139N
A41U9	1820-1201	6		IC GATE TTL LS AND QUAD 2-INP	01295	SN74LS08N
A41U10	1820-1201	6		IC GATE TTL LS AND QUAD 2-INP	01295	SN74LS08N
A41U12	1820-1201	6		IC GATE TTL LS AND QUAD 2-INP	01295	SN74LS08N
A41U14	1820-0683	6		IC INV TTL S HEX 1-INP	01295	SN74S04N
A41U15	1820-1144	6		IC GATE TTL LS NOR QUAD 2-INP	01295	SN74LS02N
A41U16	1820-1112	8		IC FF TTL LS D-TYPE POS-EDGE-TRIG	01295	SN74LS74N
A41U17	1820-1425	6		IC SCHMITT-TRIG TTL LS NAND QUAD 2-INP	01295	SN74LS132N
A41U18	1820-1198	0	9	IC GATE TTL LS NAND QUAD 2-INP	01295	SN74LS03N
A41U19	1820-1207	2	2	IC GATE TTL LS NAND 8-INP	01295	SN74LS30N
A41U20	1820-0686	9		IC GATE TTL S AND TPL 3-INP	01295	SN74811N
A41U21	1820-1469	8		IC FF TTL LS J-K NEG-EDGE-TRIG CLEAR	01295	SN7468107AN
A41U23	1826-0205	0	1	IC TIMER TTL	18324	NE556A
A41 MISCELLANEOUS PARTS						
	0360-0679	3	6	TERMINAL-STUD SPCL-STDF PRESS-MTG	28480	0360-0679
	4040-0749	4	3	EXTR-PC BD BRN POLYC .062=BD=THKNS	28480	4040-0749
	4040-0752	9	8	EXTR-PC BD YEL POLYC .062=BD=THKNS	28480	4040-0752
	2260-0009	3	13	NUT=HEX=N/LKWR 4=40=THD .094-IN=THK	00000	ORDER BY DESCRIPTION
A42	03585-66542	1	1	RAM BOARD	28480	03585-66542
A42C1	0160-0136	3	1	CAPACITOR-FXD 2500PF +-1% 300VDC MICA	28480	0160-0136
A42C2	0180-0210	6		CAPACITOR-FXD 3,3UF+-20% 15VDC TA	56289	150D335X0015A2
A42C3	0180-1746	5		CAPACITOR-FXD 15UF+-10% 20VDC TA	56289	150D156X9020B2
A42C4	0180-0354	9	3	CAPACITOR-FXD 40UF+-5% 10VDC TA	56289	1500406X5010B2
A42C5	0160-3847	9		CAPACITOR-FXD .01UF +100-0% 50VDC CER	28480	0160-3847

See introduction to this section for ordering information  
 \*Indicates factory selected value

**Table 9-3. Replaceable Parts (Cont'd)**

Reference Designation	HP Part Number	C D	Qty	Description	Mfr Code	Mfr Part Number
A42C6	0160-3847	9		CAPACITOR-FXD .01UF +100-0% 50VDC CER	28480	0160-3847
A42C7	0160-3847	9		CAPACITOR-FXD .01UF +100-0% 50VDC CER	28480	0160-3847
A42C8	0160-3847	9		CAPACITOR-FXD .01UF +100-0% 50VDC CER	28480	0160-3847
A42C9	0160-3847	9		CAPACITOR-FXD .01UF +100-0% 50VDC CER	28480	0160-3847
A42C10	0160-3847	9		CAPACITOR-FXD .01UF +100-0% 50VDC CER	28480	0160-3847
A42C11	0160-3847	9		CAPACITOR-FXD .01UF +100-0% 50VDC CER	28480	0160-3847
A42C12	0160-3847	9		CAPACITOR-FXD .01UF +100-0% 50VDC CER	28480	0160-3847
A42C13	0180-0210	6		CAPACITOR-FXD 3.3UF+-20% 15VDC TA	56289	150D335X0015A2
A42C14	0180-0197	8		CAPACITOR-FXD 2.2UF+-10% 20VDC TA	56289	150D225X9020A2
A42C15	0180-0210	6		CAPACITOR-FXD 3.3UF+-20% 15VDC TA	56289	150D335X0015A2
A42C16	0180-0197	8		CAPACITOR-FXD 2.2UF+-10% 20VDC TA	56289	150D225X9020A2
A42C17	0180-0197	8		CAPACITOR-FXD 2.2UF+-10% 20VDC TA	56289	150D225X9020A2
A42C18	0180-0197	8		CAPACITOR-FXD 2.2UF+-10% 20VDC TA	56289	150D225X9020A2
A42C19	0160-3847	9		CAPACITOR-FXD .01UF +100-0% 50VDC CER	28480	0160-3847
A42C20	0160-3847	9		CAPACITOR-FXD .01UF +100-0% 50VDC CER	28480	0160-3847
A42C21	0180-0197	8		CAPACITOR-FXD 2.2UF+-10% 20VDC TA	56289	150D225X9020A2
A42C22	0160-3847	9		CAPACITOR-FXD .01UF +100-0% 50VDC CER	28480	0160-3847
A42C23	0180-0210	6		CAPACITOR-FXD 3.3UF+-20% 15VDC TA	56289	150D335X0015A2
A42C24	0160-3847	9		CAPACITOR-FXD .01UF +100-0% 50VDC CER	28480	0160-3847
A42C25	0180-0197	8		CAPACITOR-FXD 2.2UF+-10% 20VDC TA	56289	150D225X9020A2
A42C26	0180-0197	8		CAPACITOR-FXD 2.2UF+-10% 20VDC TA	56289	150D225X9020A2
A42CR1	1902-3091	0		DIODE-ZNR 4.99V 5% DO-7 PD=.4W TC=,012X	28480	1902-3091
A42J1	1251-4047	7		CONNECTOR 3-PIN M POST TYPE	28480	1251-4047
A42J1	1258-0141	8		JUMPER REMOVABLE	28480	1258-0141
A42Q1	1853-0405	9	1	TRANSISTOR PNP 2N4209 SI TO-18 PD=300MW	04713	2N4209
A42R1	0683-2225	3		RESISTOR 2,2K 5% .25W FC TC=-400/+700	01121	C82225
A42R2	0683-2225	3		RESISTOR 2,2K 5% .25W FC TC=-400/+700	01121	C82225
A42R3	0683-2225	3		RESISTOR 2,2K 5% .25W FC TC=-400/+700	01121	C82225
A42R4	0683-1005	5		RESISTOR 10 5% .25W FC TC=-400/+500	01121	C81005
A42R5	0683-4735	4		RESISTOR 47K 5% .25W FC TC=-400/+800	01121	C84735
A42R6	0757-0454	3	3	RESISTOR 33,2K 1% .125W F TC=0+-100	24546	C4=1/8-T0-3322-F
A42R7	0683-5115	6		RESISTOR 510 5% .25W FC TC=-400/+600	01121	C85115
A42TPI-3	0360-0124	3		CONNECTOR-SGL CONT PIN .04-IN-BSC-SZ RND	28480	0360-0124
A42U1	1818-0156	3	16	IC NMOS 4K RAM DYN 470-NS 3-S	28480	1818-0156
A42U2	1818-0156	3		IC NMOS 4K RAM DYN 470-NS 3-S	28480	1818-0156
A42U3	1818-0156	3		IC NMOS 4K RAM DYN 470-NS 3-S	28480	1818-0156
A42U4	1818-0156	3		IC NMOS 4K RAM DYN 470-NS 3-S	28480	1818-0156
A42U5	1818-0156	3		IC NMOS 4K RAM DYN 470-NS 3-S	28480	1818-0156
A42U6	1818-0156	3		IC NMOS 4K RAM DYN 470-NS 3-S	28480	1818-0156
A42U7	1820-0704	2	1	IC MV TTL MONOSTBL RETRIG	01295	SN74122N
A42U8	1820-1469	8		IC FF TTL LS J-K NEG-EDGE-TRIG CLEAR	01295	SN7468107AN
A42U9	1820-1469	8		IC FF TTL LS J-K NEG-EDGE-TRIG CLEAR	01295	SN7468107AN
A42U10	1818-0156	3		IC NMOS 4K RAM DYN 470-NS 3-S	28480	1818-0156
A42U11	1818-0156	3		IC NMOS 4K RAM DYN 470-NS 3-S	28480	1818-0156
A42U12	1818-0156	3		IC NMOS 4K RAM DYN 470-NS 3-S	28480	1818-0156
A42U13	1818-0156	3		IC NMOS 4K RAM DYN 470-NS 3-S	28480	1818-0156
A42U14	1818-0156	3		IC NMOS 4K RAM DYN 470-NS 3-S	28480	1818-0156
A42U15	1820-1673	6	1	IC DRVR TTL DUAL	01295	SN75322N
A42U16	1820-1197	9		IC GATE TTL LS NAND QUAD 2-INP	01295	SN74LS00N
A42U17	1820-1144	6		IC GATE TTL LS NOR QUAD 2-INP	01295	SN74LS02N
A42U18	1820-0762	2	2	IC MUXR/DATA-SEL TTL 2-TO-1-LINE QUAD	01295	SN74157N
A42U19	1820-1478	9	2	IC CNTR TTL LS BIN ASYNCHRO	01295	SN74LS93N
A42U20	1820-1322	2		IC GATE TTL S NOR QUAD 2-INP	01295	SN74802N
A42U21	1818-0156	3		IC NMOS 4K RAM DYN 470-NS 3-S	28480	1818-0156
A42U22	1818-0156	3		IC NMOS 4K RAM DYN 470-NS 3-S	28480	1818-0156
A42U23	1818-0156	3		IC NMOS 4K RAM DYN 470-NS 3-S	28480	1818-0156
A42U24	1818-0156	3		IC NMOS 4K RAM DYN 470-NS 3-S	28480	1818-0156
A42U25	1818-0156	3		IC NMOS 4K RAM DYN 470-NS 3-S	28480	1818-0156
A42U26	1820-0762	2		IC MUXR/DATA-SEL TTL 2-TO-1-LINE QUAD	01295	SN74157N
A42U27	1820-1478	9		IC CNTR TTL LS BIN ASYNCHRO	01295	SN74LS93N
A42U28	1820-1198	0		IC GATE TTL LS NAND QUAD 2-INP	01295	SN74LS03N
A42U29	1820-1255	0	3	IC INV TTL HEX 1-INP	01295	SN74368N
A42U30	1820-0788	2	1	IC FF TTL D-TYPE POS-EDGE-TRIG CLEAR HEX	01295	SN74174N
A42U31	1820-1255	0		IC INV TTL HEX 1-INP	01295	SN74368N
A42U32	1820-1255	0		IC INV TTL HEX 1-INP	01295	SN74368N
A42U33	1820-1411	0	2	IC LCH TTL LS D-TYPE 4-BIT	01295	SN74LS75N
A42U34	1820-1411	0		IC LCH TTL LS D-TYPE 4-BIT	01295	SN74LS75N
A42U35	1820-0068	1	1	IC GATE TTL NAND TPL 3-INP	01295	SN7410N
A42U36	1820-1322	2		IC GATE TTL S NOR QUAD 2-INP	01295	SN74802N
A 42 MISCILLANEOUS PARTS						
	4040-0750	7	2	EXTR-PC RED POLYC .062-BD-THKNS	28480	4040-0750
	4040-0752	9		EXTR-PC BD YEL POLYC .062-BD-THKNS	28480	4040-0750

See introduction to this section for ordering information  
 \*Indicates factory selected value

Table 9-3. Replaceable Parts (Cont'd)

Reference Designation	HP Part Number	C D	Qty	Description	Mfr Code	Mfr Part Number
A43	03585-66543	2	1	ROM BOARD	28480	03585-66543
A43C1	0180-0229	7		CAPACITOR-FXD 33UF+/-10% 10VDC TA	56289	150D336X901082
A43C2	0160-3847	9		CAPACITOR-FXD .01UF +100-0% 50VDC CER	28480	0160-3847
A43C3	0160-3847	9		CAPACITOR-FXD .01UF +100-0% 50VDC CER	28480	0160-3847
A43C4	0160-3847	9		CAPACITOR-FXD .01UF +100-0% 50VDC CER	28480	0160-3847
A43C5	0160-3847	9		CAPACITOR-FXD .01UF +100-0% 50VDC CER	28480	0160-3847
A43C6	0160-3847	9		CAPACITOR-FXD .01UF +100-0% 50VDC CER	28480	0160-3847
A43C7	0160-3847	9		CAPACITOR-FXD .01UF +100-0% 50VDC CER	28480	0160-3847
A43C8	0160-3847	9		CAPACITOR-FXD .01UF +100-0% 50VDC CER	28480	0160-3847
A43C9	0160-3847	9		CAPACITOR-FXD .01UF +100-0% 50VDC CER	28480	0160-3847
A43C10	0160-3847	9		CAPACITOR-FXD .01UF +100-0% 50VDC CER	28480	0160-3847
A43C11	0160-3847	9		CAPACITOR-FXD .01UF +100-0% 50VDC CER	28480	0160-3847
A43C12	0160-3847	9		CAPACITOR-FXD .01UF +100-0% 50VDC CER	28480	0160-3847
A43C13	0160-3847	9		CAPACITOR-FXD .01UF +100-0% 50VDC CER	28480	0160-3847
A43L1	9100-3458	1		CHOKE, WIDE BAND	28480	9100-3458
A43SXU16	1200-0473	8		SOCKET-IC 16-CONT DIP DIP-SLDR	28480	1200-0473
A43SXU17	1200-0473	8		SOCKET-IC 16-CONT DIP DIP-SLDR	28480	1200-0473
A43TP1-5	0360-0124	3		CONNECTOR-SGL CONT PIN .04-IN-BSC-SZ RND	28480	0360-0124
A43U1	1818-0644	4	1	IC 32K BIPOL ROM	55576	8YP2332 MASKED
A43U2	1818-0645	5	1	IC 32K BIPOL ROM	55576	8YP2332 MASKED
A43U3	1818-0646	6	1	IC 32K BIPOL ROM	55576	8YP2332 MASKED
A43U4	1818-0647	7	1	IC 32K BIPOL ROM	55576	8YP2332 MASKED
A43U5	1818-0648	8	1	IC 32K BIPOL ROM	28480	1818-0648
A43U6	1818-0649	9	1	IC 32K BIPOL ROM	28480	1818-0649
A43U7	1818-0650	2	1	IC 32K BIPOL ROM	28480	1818-0650
A43U8	1818-0651	3	1	IC 32K BIPOL ROM	28480	1818-0651
A43U9	1820-1281	2		IC DCDR TTL LS 2-TO-4-LINE DUAL 2-INP	01295	SN74LS139N
A43U10	1820-1445	0	4	IC LCH TTL LS 4-BIT	01295	SN74LS375N
A43U11	1820-1445	0		IC LCH TTL LS 4-BIT	01295	SN74LS375N
A43U12	1820-1445	0		IC LCH TTL LS 4-BIT	01295	SN74LS375N
A43U13	1820-1445	0		IC LCH TTL LS 4-BIT	01295	SN74LS375N
A43U14	1820-1873	8	4	IC BFR TTL LS INV OCTL 2-INP	27014	DM81LS98N
A43U15	1820-1873	8		IC BFR TTL LS INV OCTL 2-INP	27014	DM81LS98N
A43U16	1810-0307	0	4	NETWORK-CNDCY MODULE DIP; 16 PINS; 0.100	28480	1810-0307
A43U17	1810-0307	0		NETWORK-CNDCY MODULE DIP; 16 PINS; 0.100	28480	1810-0307
A43 MISCELLANEOUS PARTS						
	4040-0751	8	3	EXTR-PC BD ORN POLYC .062-BD-TMKNS	28480	4040-0751
	4040-0752	9		EXTR-PC BD YEL POLYC .062-BD-TMKNS	28480	4040-0752
	0360-0124	3		INSULATED JUMPER WIRE	00000	ANY SATISFACTORY SOURCE
				CONNECTOR-SGL CONT PIN .01-IN-BSC-SZ RND	00000	ANY SATISFACTORY SOURCE
A44	03585-66544	3	1	HP-IB INTERFACE	28480	03585-66544
A44C1	0160-3847	9		CAPACITOR-FXD .01UF +100-0% 50VDC CER	28480	0160-3847
A44C2	0160-3847	9		CAPACITOR-FXD .01UF +100-0% 50VDC CER	28480	0160-3847
A44C3	0160-3847	9		CAPACITOR-FXD .01UF +100-0% 50VDC CER	28480	0160-3847
A44C4	0160-3847	9		CAPACITOR-FXD .01UF +100-0% 50VDC CER	28480	0160-3847
A44C5	0160-3847	9		CAPACITOR-FXD .01UF +100-0% 50VDC CER	28480	0160-3847
A44C6	0160-3847	9		CAPACITOR-FXD .01UF +100-0% 50VDC CER	28480	0160-3847
A44C7	0160-3847	9		CAPACITOR-FXD .01UF +100-0% 50VDC CER	28480	0160-3847
A44C8	0160-3847	9		CAPACITOR-FXD .01UF +100-0% 50VDC CER	28480	0160-3847
A44C9	0160-3847	9		CAPACITOR-FXD .01UF +100-0% 50VDC CER	28480	0160-3847
A44C10	0160-3847	9		CAPACITOR-FXD .01UF +100-0% 50VDC CER	28480	0160-3847
A44C11	0160-3847	9		CAPACITOR-FXD .01UF +100-0% 50VDC CER	28480	0160-3847
A44C12	0180-0354	9		CAPACITOR-FXD 40UF+/-5% 10VDC TA	56289	150D406X501082
A44C13	0160-3847	9		CAPACITOR-FXD .01UF +100-0% 50VDC CER	28480	0160-3847
A44C14	0160-3847	9		CAPACITOR-FXD .01UF +100-0% 50VDC CER	28480	0160-3847
A44C15	0180-0354	9		CAPACITOR-FXD 40UF+/-5% 10VDC TA	56289	150D406X501082
A44CR1	1901-0040	1		DIODE-SWITCHING 30V 50MA 2NS DO-35	28480	1901-0040
A44CR2	1990-0486	6		LED-VISIBLE LUM-INT*1MCD IF=20MA-MAX	28480	5082-4684
A44CR3	1902-3048	7	2	DIODE-ZNR 3.48V 5% DO-7 PD=.4W TC=-.058%	28480	1902-3048
A44CR4	1902-3048	7		DIODE-ZNR 3.48V 5% DO-7 PD=.4W TC=-.058%	28480	1902-3048
A44CR5	1902-3018	1	1	DIODE-ZNR 2.74V 5% DO-7 PD=.4W TC=-.071%	28480	1902-3018
A44CR6	1901-0040	1		DIODE-SWITCHING 30V 50MA 2NS DO-35	28480	1901-0040
A44R1	1810-0329	6	4	NETWORK-RES 10-PIN-SIP .1-PIN-SPCG	01121	210A752
A44R2	1810-0329	6		NETWORK-RES 10-PIN-SIP .1-PIN-SPCG	01121	210A752
A44R3	1810-0329	6		NETWORK-RES 10-PIN-SIP .1-PIN-SPCG	01121	210A752
A44R4	1810-0329	6		NETWORK-RES 10-PIN-SIP .1-PIN-SPCG	01121	210A752
A44R5	0683-1035	1		RESISTOR 10K 5% .25W FC TC=-400/+700	01121	CB1035
A44R6	0683-1035	1		RESISTOR 10K 5% .25W FC TC=-400/+700	01121	CB1035
A44R7	0683-3015	1		RESISTOR 300 5% .25W FC TC=-400/+600	01121	CB3015
A44R8	0698-4431	8	1	RESISTOR 2.05K 1% .125W FC TC=0+/-100	91637	CMF-55-1,T-1
A44R9	11153-01301	9		WIREFORM .200	28480	11153-01301
A44R10	0683-1035	1		RESISTOR 10K 5% .25W FC TC=-400/+700	01121	CB1035

See introduction to this section for ordering information  
 \*Indicates factory selected value

Table 9-3. Replaceable Parts (Cont'd)

Reference Designation	HP Part Number	C D	Qty	Description	Mfr Code	Mfr Part Number
A44R11	0683-7505	2		RESISTOR 75 5% .25W FC TC=-400/+500	01121	CB7505
A44R12	0683-7505	2		RESISTOR 75 5% .25W FC TC=-400/+500	01121	CB7505
A44R13	0698-3258	5	2	RESISTOR 5.36K 1% .125W F TC=0/+100	24546	C4-1/8-T0-5361-F
A44R14	1810-0326	3	1	NETWORK-RD 10 PIN SIP; 0.1 IN SPACING	28480	1810-0326
A44R15	1810-0307	0		NETWORK-CNDCT MODULE DIP; 16 PINS; 0.100	28480	1810-0307
A44R16	0683-1325	2		RESISTOR 1.3K 5% .25W FC TC=-400/+700	01121	CB1325
A44R17	0683-2715	6		RESISTOR 270 5% .25W FC TC=-400/+600	01121	CB2715
A44S1	3101-2215	2	2	SWITCH-RKR DIP-RKR-ASSY 7-1A .05A 30VDC	28480	3101-2215
A448XR15	1200-0473	8		SOCKET-IC 16-CONT DIP DIP-SLDR	28480	1200-0473
A448XU16	1200-0659	2	2	SOCKET-IC 40-CONT DIP-SLDR	28480	1200-0659
A44TP1-3	0360-0124	3		CONNECTOR-SGL CONT PIN .04-IN-BSC-SZ RND	28480	0360-0124
A44U1	1820-1112	8		IC FF TTL LS D-TYPE POS-EDGE-TRIG	01295	SN74LS74N
A44U2	1820-1425	6		IC SCHMITT-TRIG TTL LS NAND QUAD 2-INP	01295	SN74LS132N
A44U3	1820-1199	1	8	IC INV TTL LS HEX 1-INP	01295	SN74LS04N
A44U4	1820-1198	0		IC GATE TTL LS NAND QUAD 2-INP	01295	SN74LS03N
A44U5	1820-1112	8		IC FF TTL LS D-TYPE POS-EDGE-TRIG	01295	SN74LS74N
A44U6	1820-1491	6	9	IC BFR TTL LS NON-INV HEX 1-INP	01295	SN7468367AN
A44U7	1816-1200	6	1	IC TTL 8192-BIT ROM 80-NS 3-8	18324	N82S181F PROGRAMMED
A44U9	1820-1730	6	11	IC FF TTL LS D-TYPE POS-EDGE-TRIG COM	01295	SN74LS273N
A44U10	1820-1439	2	2	IC MUXR/DATA-SEL TTL LS 2-TO-1-LINE	01295	SN74LS258N
A44U11	1820-1439	2		IC MUXR/DATA-SEL TTL LS 2-TO-1-LINE	01295	SN74LS258N
A44U12	1820-1195	7		IC FF TTL LS D-TYPE POS-EDGE-TRIG COM	01295	SN74LS175N
A44U13	1820-1201	6		IC GATE TTL LS AND QUAD 2-INP	01295	SN74LS08N
A44U14	1820-1112	8		IC FF TTL LS D-TYPE POS-EDGE-TRIG	01295	SN74LS74N
A44U15	1820-1198	0		IC GATE TTL LS NAND QUAD 2-INP	01295	SN74LS03N
A44U16	1820-1691	8	1	IC MICPROC MOS	28480	1820-1691
A44U17	1826-0138	8		COMPARATOR GP QUAD 14-DIP-P	04713	MLM339P
A44U18	1826-0138	8		COMPARATOR GP QUAD 14-DIP-P	04713	MLM339P
A44U19	1826-0138	8		COMPARATOR GP QUAD 14-DIP-P	04713	MLM339P
A44U20	1826-0138	8		COMPARATOR GP QUAD 14-DIP-P	04713	MLM339P
A44U21	1820-1144	6		IC GATE TTL LS NOR QUAD 2-INP	01295	SN74LS02N
A44U22	1820-1144	6		IC GATE TTL LS NOR QUAD 2-INP	01295	SN74LS02N
A44U23	1820-1438	1	1	IC MUXR/DATA-SEL TTL LS 2-TO-1-LINE QUAD	01295	SN74LS257AN
A44U24	1820-1216	3		IC DCCR TTL LS 3-TO-8-LINE 3-INP	01295	SN74LS138N
A44U25	1826-0138	8		COMPARATOR GP QUAD 14-DIP-P	04713	MLM339P
A44U26	1826-0138	8		COMPARATOR GP QUAD 14-DIP-P	04713	MLM339P
A44U27	1826-0138	8		COMPARATOR GP QUAD 14-DIP-P	04713	MLM339P
A44U28	1826-0138	8		COMPARATOR GP QUAD 14-DIP-P	04713	MLM339P
A44U29	1820-1873	8		IC BFR TTL LS INV OCTL 2-INP	27014	DM81LS98N
A44U30	1820-1730	6		IC FF TTL LS D-TYPE POS-EDGE-TRIG COM	01295	SN74LS273N
A44U31	1820-1199	1		IC INV TTL LS HEX 1-INP	01295	SN74LS04N
A44U32	1820-1689	4	4	IC UART TTL QUAD	04713	MC3446P
A44U33	1820-1689	4		IC UART TTL QUAD	04713	MC3446P
A44U34	1820-1689	4		IC UART TTL QUAD	04713	MC3446P
A44U35	1820-1689	4		IC UART TTL QUAD	04713	MC3446P
A44U36	1820-1730	6		IC FF TTL LS D-TYPE POS-EDGE-TRIG COM	01295	SN74LS273N
A44U37	1820-1873	8		IC BFR TTL LS INV OCTL 2-INP	27014	DM81LS98N
A44U38	1820-1198	0		IC GATE TTL LS NAND QUAD 2-INP	01295	SN74LS03N
A44U39	1820-1195	7		IC FF TTL LS D-TYPE POS-EDGE-TRIG COM	01295	SN74LS175N
A44U40	1820-1206	1	2	IC GATE TTL LS NOR TPL 3-INP	01295	SN74LS27N
A44U41	1820-1112	8		IC FF TTL LS D-TYPE POS-EDGE-TRIG	01295	SN74LS74N
A44 MISCELLANEOUS PARTS						
	4040-0752	9		EXTR-PC BD YEL POLYC .062-BD-TMKNS	28480	4040-0752
A45	03585-66545	4	1	I/O BOARD	28480	03585-66545
A45C1	0180-0229	7		CAPACITOR-FXD 33UF +/-10% 10VDC TA	56289	150D336X9010B2
A45C2	0160-3622	8		CAPACITOR-FXD .1UF +80-20% 100VDC CER	26654	2130Y5V100R104Z
A45C3	0160-3622	8		CAPACITOR-FXD .1UF +80-20% 100VDC CER	26654	2130Y5V100R104Z
A45C4	0160-3622	8		CAPACITOR-FXD .1UF +80-20% 100VDC CER	26654	2130Y5V100R104Z
A45C5	0160-3622	8		CAPACITOR-FXD .1UF +80-20% 100VDC CER	26654	2130Y5V100R104Z
A45C6	0160-3622	8		CAPACITOR-FXD .1UF +80-20% 100VDC CER	26654	2130Y5V100R104Z
A45C7	0160-3622	8		CAPACITOR-FXD .1UF +80-20% 100VDC CER	26654	2130Y5V100R104Z
A45C8	0160-3622	8		CAPACITOR-FXD .1UF +80-20% 100VDC CER	26654	2130Y5V100R104Z
A45C9	0160-3622	8		CAPACITOR-FXD .1UF +80-20% 100VDC CER	26654	2130Y5V100R104Z
A45CR1	1990-0486	6		LED-VISIBLE LUM-INT=1MCD IF=20MA=MAX	28480	5082-4684
A45R5	0683-4715	0		RESISTOR 470 5% .25W FC TC=-400/+600	01121	CB4715
A45RP1	1810-0231	9	3	NETWORK-RES 8-PIN-SIP .1-PIN-SPCG	01121	208A222
A45RP2	1810-0231	9		NETWORK-RES 8-PIN-SIP .1-PIN-SPCG	01121	208A222
A45RP3	1810-0231	9		NETWORK-RES 8-PIN-SIP .1-PIN-SPCG	01121	208A222
A45RP4	1810-0206	8	1	NETWORK-RES 8-PIN-SIP .1-PIN-SPCG	01121	208A103

See introduction to this section for ordering information  
 \*Indicates factory selected value

**Table 9-3. Replaceable Parts (Cont'd)**

Reference Designation	HP Part Number	C D	Qty	Description	Mfr Code	Mfr Part Number
A4551	3101-2215	2		SWITCH-RKR DIP-RKR-ASSY 7-1A .05A 30VDC	28480	3101-2215
A45TP1-3	0360-0124	3		CONNECTOR-SGL CONT PIN .04-IN-BSC-SZ RND	28480	0360-0124
A45U1	1820-1112	8		IC FF TTL LS D-TYPE POS-EDGE-TRIG	01295	SN74LS74N
A45U2	1820-1112	8		IC FF TTL LS D-TYPE POS-EDGE-TRIG	01295	SN74LS74N
A45U3	1820-1112	8		IC FF TTL LS D-TYPE POS-EDGE-TRIG	01295	SN74LS74N
A45U4	1820-1112	8		IC FF TTL LS D-TYPE POS-EDGE-TRIG	01295	SN74LS74N
A45U5	1820-1112	8		IC FF TTL LS D-TYPE POS-EDGE-TRIG	01295	SN74LS74N
A45U6	1820-1198	0		IC GATE TTL LS NAND QUAD 2-INP	01295	SN74LS03N
A45U7	1820-1198	0		IC GATE TTL LS NAND QUAD 2-INP	01295	SN74LS03N
A45U8	1820-1197	9		IC GATE TTL LS NAND QUAD 2-INP	01295	SN74LS00N
A45U9	1820-1197	9		IC GATE TTL LS NAND QUAD 2-INP	01295	SN74LS00N
A45U10	1820-1208	3	1	IC GATE TTL LS OR QUAD 2-INP	01295	SN74LS32N
A45U11	1820-1196	8		IC FF TTL LS D-TYPE POS-EDGE-TRIG COM	01295	SN74LS174N
A45U12	1820-1196	8		IC FF TTL LS D-TYPE POS-EDGE-TRIG COM	01295	SN74LS174N
A45U13	1820-1196	8		IC FF TTL LS D-TYPE POS-EDGE-TRIG COM	01295	SN74LS174N
A45U14	1820-1196	8		IC FF TTL LS D-TYPE POS-EDGE-TRIG COM	01295	SN74LS174N
A45U15	1820-1730	6		IC FF TTL LS D-TYPE POS-EDGE-TRIG COM	01295	SN74LS273N
A45U16	1820-1730	6		IC FF TTL LS D-TYPE POS-EDGE-TRIG COM	01295	SN74LS273N
A45U17	1820-1730	6		IC FF TTL LS D-TYPE POS-EDGE-TRIG COM	01295	SN74LS273N
A45U18	1820-1216	3		IC CDCR TTL LS 3-TO-8-LINE 3-INP	01295	SN74LS138N
A45U19	1820-1216	3		IC CDCR TTL LS 3-TO-8-LINE 3-INP	01295	SN74LS138N
A45U20	1820-1245	8	3	IC CDCR TTL LS 2-TO-4-LINE DUAL 2-INP	01295	SN74LS155N
A45U21	1820-1245	8		IC CDCR TTL LS 2-TO-4-LINE DUAL 2-INP	01295	SN74LS155N
A45U22	1820-1245	8		IC CDCR TTL LS 2-TO-4-LINE DUAL 2-INP	01295	SN74LS155N
A45U23	1820-1414	3	2	IC GATE TTL LS NAND TPL 3-INP	01295	SN74LS02N
A45U24	1820-1144	6		IC GATE TTL LS NOR QUAD 2-INP	01295	SN74LS02N
A45U25	1820-1144	6		IC GATE TTL LS NOR QUAD 2-INP	01295	SN74LS02N
A45U26	1820-1144	6		IC GATE TTL LS NOR QUAD 2-INP	01295	SN74LS02N
A45U27	1820-1491	6		IC BFR TTL LS NON-INV HEX 1-INP	01295	SN7468367AN
A45U28	1820-1492	7	2	IC BFR TTL LS INV HEX 1-INP	01295	SN7468368AN
A45U29	1820-1491	6		IC BFR TTL LS NON-INV HEX 1-INP	01295	SN7468367AN
A45U30	1820-1491	6		IC BFR TTL LS NON-INV HEX 1-INP	01295	SN7468367AN
A45U31	1820-1491	6		IC BFR TTL LS NON-INV HEX 1-INP	01295	SN7468367AN
A45U32	1820-1492	7		IC BFR TTL LS INV HEX 1-INP	01295	SN7468368AN
A45U33	1820-0174	0	2	IC INV TTL HEX	01295	SN7404N
A45U34	1820-0174	0		IC INV TTL HEX	01295	SN7404N
A45U35	1820-1199	1		IC INV TTL LS HEX 1-INP	01295	SN74LS04N
A45U36	1820-1199	1		IC INV TTL LS HEX 1-INP	01295	SN74LS04N
A45 MISCELLANEOUS PARTS						
	4040-0752	9		EXTR-PC BD YEL POLYC .062-80-THKNS	28480	4040-0752
	4040-0753	0	2	EXTR-PC BD GRN POLYC .062-80-THKNS	28480	4040-0753
A46	03585-66546	5	1	COUNTER	28480	03585-66546
A46C1	0160-3622	8		CAPACITOR-FXD .1UF +80-20% 100VDC CER	26654	2130Y5V100R104Z
A46C2	0160-3622	8		CAPACITOR-FXD .1UF +80-20% 100VDC CER	26654	2130Y5V100R104Z
A46C3	0160-4571	8		CAPACITOR-FXD .1UF +80-20% 50VDC CER	16299	CAC0325U104Z050A
A46C4	0180-1746	5		CAPACITOR-FXD 15UF+10% 20VDC TA	56289	150D156X9020B2
A46C6	0160-3847	9		CAPACITOR-FXD .01UF +100-0% 50VDC CER	28480	0160-3847
A46C7	0160-3847	9		CAPACITOR-FXD .01UF +100-0% 50VDC CER	28480	0160-3847
A46C8	0160-3847	9		CAPACITOR-FXD .01UF +100-0% 50VDC CER	28480	0160-3847
A46C9	0160-3847	9		CAPACITOR-FXD .01UF +100-0% 50VDC CER	28480	0160-3847
A46C10	0160-3847	9		CAPACITOR-FXD .01UF +100-0% 50VDC CER	28480	0160-3847
A46C11	0160-3847	9		CAPACITOR-FXD .01UF +100-0% 50VDC CER	28480	0160-3847
A46J1	1250-1368	7		CONNECTOR-RF SMB M PC 50-OHM	28480	1250-1368
A46L1	9100-3551	5		COIL-MLD 1UH 5% Q=50 .155DX.375LG-NDM	28480	9100-3551
A46Q1	1854-0215	1		TRANSISTOR NPN SI PD=350MW FT=300MHZ	04713	2N3904
A46R1	0683-1025	9		RESISTOR 1K 5% .25W FC TC=-400/+600	01121	CB1025
A46R2	0683-4735	4		RESISTOR 47K 5% .25W FC TC=-400/+800	01121	CB4735
A46R3	0683-1025	9		RESISTOR 1K 5% .25W FC TC=-400/+600	01121	CB1025
A46R4	0683-1025	9		RESISTOR 1K 5% .25W FC TC=-400/+600	01121	CB1025
A46R7	0683-1025	9		RESISTOR 1K 5% .25W FC TC=-400/+600	01121	CB1025
A46R12	0683-2225	3		RESISTOR 2.2K 5% .25W FC TC=-400/+700	01121	CB2225
A46R13	0683-2225	3		RESISTOR 2.2K 5% .25W FC TC=-400/+700	01121	CB2225
A46T1	9100-3287	4	1	TRANSFORMER	28480	9100-3287
A46TP1-3	0360-0124	3		CONNECTOR-SGL CONT PIN .04-IN-BSC-SZ RND	28480	0360-0124
A46U2	1820-1425	6		IC SCHMITT-TRIG TTL LS NAND QUAD 2-INP	01295	SN74LS132N
A46U3	1820-1201	6		IC GATE TTL LS AND QUAD 2-INP	01295	SN74LS08N
A46U4	1820-1112	8		IC FF TTL LS D-TYPE POS-EDGE-TRIG	01295	SN74LS74N
A46U5	1820-1144	6		IC GATE TTL LS NOR QUAD 2-INP	01295	SN74LS02N
A46U6	1820-1989	7	3	IC CNTR TTL LS BIN DUAL 4-BIT	07263	74LS93PC

See introduction to this section for ordering information  
 \*Indicates factory selected value

Table 9-3. Replaceable Parts (Cont'd)

Reference Designation	HP Part Number	C D	Qty	Description	Mfr Code	Mfr Part Number
A46U7	1820-1989	7		IC CNTR TTL LS BIN DUAL 4-BIT	07263	74LS393PC
A46U8	1820-1989	7		IC CNTR TTL LS BIN DUAL 4-BIT	07263	74LS393PC
A46U12	1820-1212	9	2	IC FF TTL LS J-K NEG-EDGE-TRIG	01295	SN74LS112N
A46U13	1820-1112	8		IC FF TTL LS D-TYPE POS-EDGE-TRIG	01295	SN74LS74N
A46U14	1820-1430	3	4	IC CNTR TTL LS BIN SYNCHRO POS-EDGE-TRIG	01295	SN7468161AN
A46U15	1820-1430	3		IC CNTR TTL LS BIN SYNCHRO POS-EDGE-TRIG	01295	SN7468161AN
A46U16	1820-1430	3		IC CNTR TTL LS BIN SYNCHRO POS-EDGE-TRIG	01295	SN7468161AN
A46U17	1820-1430	3		IC CNTR TTL LS BIN SYNCHRO POS-EDGE-TRIG	01295	SN7468161AN
A46U18	1820-1414	3		IC GATE TTL LS NAND TPL 3-INP	01295	SN74LS12N
A46U19	1820-1206	1		IC GATE TTL LS NOR TPL 3-INP	01295	SN74LS27N
A46U20	1820-1491	6		IC BFR TTL LS NON-INV HEX 1-INP	01295	SN7468367AN
A46U21	1820-1491	6		IC BFR TTL LS NON-INV HEX 1-INP	01295	SN7468367AN
A46U22	1820-1491	6		IC BFR TTL LS NON-INV HEX 1-INP	01295	SN7468367AN
A46U23	1820-1491	6		IC BFR TTL LS NON-INV HEX 1-INP A46 MISCELLANEOUS PARTS	01295	SN7468367AN
	4040-0752	9		EXTR-PC BD YEL POLYC .062=8D-TMKNS	28480	4040-0752
	4040-0754	1	5	EXTR-PC BD BLU POLYC .062=8D-TMKNS	28480	4040-0754
A47	03585-66547	6	1	ASSEMBLY, KEYBOARD	28480	03585-66547
A47C1	0180-0309	4		CAPACITOR-FXD 4.7UF+/-20X 10VDC TA	56289	150D475X0010A2
A47C2	0160-3847	9		CAPACITOR-FXD .01UF +100-0X 50VDC CER	28480	0160-3847
A47C3	0160-3847	9		CAPACITOR-FXD .01UF +100-0X 50VDC CER	28480	0160-3847
A47C4	0160-3847	9		CAPACITOR-FXD .01UF +100-0X 50VDC CER	28480	0160-3847
A47DS1	1990-0486	6	28	LED-VISIBLE LUM=INT=1MCD IF=20MA-MAX	28480	5082-4684
A47DS2	1990-0597	0		LED-VISIBLE LUM=INT=1MCD IF=60MA-MAX	28480	5082-4150
A47DS3	1990-0597	0		LED-VISIBLE LUM=INT=1MCD IF=60MA-MAX	28480	5082-4150
A47DS4	1990-0597	0		LED-VISIBLE LUM=INT=1MCD IF=60MA-MAX	28480	5082-4150
A47DS5	1990-0597	0		LED-VISIBLE LUM=INT=1MCD IF=60MA-MAX	28480	5082-4150
A47DS6	1990-0597	0		LED-VISIBLE LUM=INT=1MCD IF=60MA-MAX	28480	5082-4150
A47DS7	1990-0487	7	6	LED-VISIBLE LUM=INT=1MCD IF=20MA-MAX	28480	5082-4584
A47DS8	1990-0487	7		LED-VISIBLE LUM=INT=1MCD IF=20MA-MAX	28480	5082-4584
A47DS9	1990-0597	0		LED-VISIBLE LUM=INT=1MCD IF=60MA-MAX	28480	5082-4150
A47DS10	1990-0597	0		LED-VISIBLE LUM=INT=1MCD IF=60MA-MAX	28480	5082-4150
A47DS11	1990-0597	0		LED-VISIBLE LUM=INT=1MCD IF=60MA-MAX	28480	5082-4150
A47DS12	1990-0597	0		LED-VISIBLE LUM=INT=1MCD IF=60MA-MAX	28480	5082-4150
A47DS13	1990-0597	0		LED-VISIBLE LUM=INT=1MCD IF=60MA-MAX	28480	5082-4150
A47DS14	1990-0597	0		LED-VISIBLE LUM=INT=1MCD IF=60MA-MAX	28480	5082-4150
A47DS15	1990-0597	0		LED-VISIBLE LUM=INT=1MCD IF=60MA-MAX	28480	5082-4150
A47DS16	1990-0597	0		LED-VISIBLE LUM=INT=1MCD IF=60MA-MAX	28480	5082-4150
A47DS17	1990-0597	0		LED-VISIBLE LUM=INT=1MCD IF=60MA-MAX	28480	5082-4150
A47DS18	1990-0597	0		LED-VISIBLE LUM=INT=1MCD IF=60MA-MAX	28480	5082-4150
A47DS19	1990-0597	0		LED-VISIBLE LUM=INT=1MCD IF=60MA-MAX	28480	5082-4150
A47DS20	1990-0597	0		LED-VISIBLE LUM=INT=1MCD IF=60MA-MAX	28480	5082-4150
A47DS21	1990-0597	0		LED-VISIBLE LUM=INT=1MCD IF=60MA-MAX	28480	5082-4150
A47DS22	1990-0597	0		LED-VISIBLE LUM=INT=1MCD IF=60MA-MAX	28480	5082-4150
A47DS23	1990-0597	0		LED-VISIBLE LUM=INT=1MCD IF=60MA-MAX	28480	5082-4150
A47DS24	1990-0597	0		LED-VISIBLE LUM=INT=1MCD IF=60MA-MAX	28480	5082-4150
A47DS25	1990-0597	0		LED-VISIBLE LUM=INT=1MCD IF=60MA-MAX	28480	5082-4150
A47DS26	1990-0597	0		LED-VISIBLE LUM=INT=1MCD IF=60MA-MAX	28480	5082-4150
A47DS27	1990-0597	0		LED-VISIBLE LUM=INT=1MCD IF=60MA-MAX	28480	5082-4150
A47DS29	1990-0487	7		LED-VISIBLE LUM=INT=1MCD IF=20MA-MAX	28480	5082-4584
A47DS30	1990-0487	7		LED-VISIBLE LUM=INT=1MCD IF=20MA-MAX	28480	5082-4584
A47DS31	1990-0487	7		LED-VISIBLE LUM=INT=1MCD IF=20MA-MAX	28480	5082-4584
A47DS32	1990-0487	7		LED-VISIBLE LUM=INT=1MCD IF=20MA-MAX	28480	5082-4584
A47DS33	1990-0485	5	1	LED-VISIBLE LUM=INT=800UCD IF=30MA-MAX	28480	5082-4984
A47DS34	1990-0486	6		LED-VISIBLE LUM=INT=1MCD IF=20MA-MAX	28480	5082-4684
A47J1	1251-4822	6		CONNECTOR 3-PIN M POST TYPE	28480	1251-4822
A47J1	1258-0141	8		JUMPER REMOVABLE	28480	1258-0141
A47J2	1251-4822	6		CONNECTOR 3-PIN M POST TYPE	28480	1251-4822
A47J2	1258-0141	8		JUMPER REMOVABLE	28480	1258-0141
A47J3	1251-5041	3	1	CONNECTOR 5-PIN M POST TYPE	22526	65500-105
A47J4	1251-4833	9	1	CONNECTOR 34-PIN M POST TYPE	28480	1251-4833
A47RP1	1810-0045	3	5	NETWORK-RES 8-PIN-SIP .125-PIN-SPCG	28480	1810-0045
A47RP2	1810-0045	3		NETWORK-RES 8-PIN-SIP .125-PIN-SPCG	28480	1810-0045
A47RP3	1810-0045	3		NETWORK-RES 8-PIN-SIP .125-PIN-SPCG	28480	1810-0045
A47RP4	1810-0045	3		NETWORK-RES 8-PIN-SIP .125-PIN-SPCG	28480	1810-0045
A47RP5	1810-0045	3		NETWORK-RES 8-PIN-SIP .125-PIN-SPCG	28480	1810-0045
A47S1- A47S70	5060-9436	7	70	PUSHBUTTON SWITCH P.C. MOUNT	28480	5060-9436
A47U1	1820-1461	0	4	IC FF TTL D-TYPE POS-EDGE-TRIG CLEAR	01295	SN74273
A47U2	1820-1461	0		IC FF TTL D-TYPE POS-EDGE-TRIG CLEAR	01295	SN74273
A47U3	1820-1461	0		IC FF TTL D-TYPE POS-EDGE-TRIG CLEAR	01295	SN74273
A47U4	1820-1461	0		IC FF TTL D-TYPE POS-EDGE-TRIG CLEAR	01295	SN74273
A47U5	1820-1433	6	4	IC SHF-RGTR TTL LS R=8 SERIAL-IN PRL=OUT	01295	SN74LS164N

See introduction to this section for ordering information  
\*Indicates factory selected value

**Table 9-3. Replaceable Parts (Cont'd)**

Reference Designation	HP Part Number	C D	Qty	Description	Mfr Code	Mfr Part Number
A47U6	1820-1433	6	8	IC SHF-RGTR TTL LS R=8 SERIAL-IN PRL-OUT	01295	SN74LS164N
A47U7	1820-1433	6		IC SHF-RGTR TTL LS R=8 SERIAL-IN PRL-OUT	01295	SN74LS164N
A47U8	1820-1433	6		IC SHF-RGTR TTL LS R=8 SERIAL-IN PRL-OUT	01295	SN74LS164N
A47U9	1820-1112	8		IC FF TTL LS D-TYPE POS-EDGE-TRIG	01295	SN74LS74N
A47U10	1820-1194	6		IC CNTR TTL LS BIN UP/DOWN SYNCHRO	01295	SN74LS193N
A47U11	1820-1246	9	2	IC GATE TTL LS AND QUAD 2-INP	01295	SN74LS09N
A47U12	1820-1246	9		IC GATE TTL LS AND QUAD 2-INP	01295	SN74LS09N
<b>A47 MISCELLANEOUS PARTS</b>						
	05328-40003	8	1	STAND, L.E.O.	28480	05328-40003
A50	03585-66550	1	1	TRACK GENERATOR MOTHERBOARD	28480	03585-66550
A50C1	0160-3558	9		CAPACITOR-FXD .1UF +-20% 50VDC CER	28480	0160-3558
A50C2	0160-3558	9		CAPACITOR-FXD .1UF +-20% 50VDC CER	28480	0160-3558
A50C3	0160-3558	9		CAPACITOR-FXD .1UF +-20% 50VDC CER	28480	0160-3558
A50C4	0160-3558	9		CAPACITOR-FXD .1UF +-20% 50VDC CER	28480	0160-3558
A50C5	0160-3558	9		CAPACITOR-FXD .1UF +-20% 50VDC CER	28480	0160-3558
A50C6	0160-3558	9		CAPACITOR-FXD .1UF +-20% 50VDC CER	28480	0160-3558
A50C7	0160-3558	9		CAPACITOR-FXD .1UF +-20% 50VDC CER	28480	0160-3558
A50C8	0160-3558	9		CAPACITOR-FXD .1UF +-20% 50VDC CER	28480	0160-3558
A50C9	0160-3558	9		CAPACITOR-FXD .1UF +-20% 50VDC CER	28480	0160-3558
A50C10	0160-3558	9		CAPACITOR-FXD .1UF +-20% 50VDC CER	28480	0160-3558
A50C11	0160-3558	9		CAPACITOR-FXD .1UF +-20% 50VDC CER	28480	0160-3558
A50C12	0160-3558	9		CAPACITOR-FXD .1UF +-20% 50VDC CER	28480	0160-3558
A50C13	0160-3558	9		CAPACITOR-FXD .1UF +-20% 50VDC CER	28480	0160-3558
A50C14	0160-3558	9		CAPACITOR-FXD .1UF +-20% 50VDC CER	28480	0160-3558
A50J1	1250-1593	0	0	ADAPTER-COAX STR M=8MB M=8MB	28480	1250-1593
A50J2	1250-1593	0		ADAPTER-COAX STR M=8MB M=8MB	28480	1250-1593
<b>A50 MISCELLANEOUS PARTS</b>						
	03585-21213	9	2	NUT, CONNECTOR GUIDE	28480	03585-21213
	1200-0548	8	3	SOCKET-IC 14-COAT DIP DIP-SLDR	52072	CA-145-10SD
	1251-2035	9		CONNECTOR-PC EDGE 15-COAT/ROW 2-ROWS	28480	1251-2035
	1251-3276	2		CONNECTOR 6-PIN M POST TYPE	28480	1251-3276
	1251-0600	0	7	CONNECTOR-SGL COAT PIN 1,14-MM-B9C-8Z SQ	28480	1251-0600
	1200-0547	7		LOCK-DUAL INLINE PKG IC FOR 14 PIN	52072	CA-14-200-DL
A51	03585-66551	2	1	TRACKING GENERATOR D/A	28480	03585-66551
A51C1	0140-0190	7	3	CAPACITOR-FXD 39PF +-5% 300VDC MICA	72136	DM15E390J0300HV1CR
A51C2	0140-0190	7		CAPACITOR-FXD 39PF +-5% 300VDC MICA	72136	DM15E390J0300HV1CR
A51C5	0160-3847	9		CAPACITOR-FXD .01UF +100-0% 50VDC CER	16299	CAC02X7R103M050A
A51C6	0180-0374	3		CAPACITOR-FXD 10UF +-10% 20VDC TA	56289	150D106X9020B2-DYS
A51CA	0180-0309	4		CAPACITOR-FXD 4.7UF+-20% 10VDC TA	56289	150D475X0010A2
A51C9	0160-3538	5		CAPACITOR-FXD 750PF +-5% 100VDC MICA	28480	0160-3538
A51C10	0160-2202	8		CAPACITOR-FXD 75PF +-5% 300VDC MICA	28480	0160-2202
A51C12	0160-3847	9		CAPACITOR-FXD .01UF +100-0% 50VDC CER	16299	CAC02X7R103M050A
A51C14	0160-4571	8		CAPACITOR-FXD .1UF +80-20% 50VDC CER	16299	CAC03Z5U104Z050A
A51C17	0160-4571	8		CAPACITOR-FXD .1UF +80-20% 50VDC CER	16299	CAC03Z5U104Z050A
A51C18	0160-4571	8		CAPACITOR-FXD .1UF +80-20% 50VDC CER	16299	CAC03Z5U104Z050A
A51C19	0160-4571	8		CAPACITOR-FXD .1UF +80-20% 50VDC CER	16299	CAC03Z5U104Z050A
A51C20	0140-0190	7	1	CAPACITOR-FXD 39PF +-5% 300VDC MICA	72136	DM15E390J0300HV1CR
A51C21	0160-4532	7		CAPACITOR-FXD 1000PF +-20% 50VDC CER	16299	CAC02X7R102M100A
A51C22	0140-0190	7	CAPACITOR-FXD 39PF +-5% 300VDC MICA	72136	DM15E390J0300HV1CR	
A51C23	0160-4532	1	1	CAPACITOR-FXD 1000PF +-20% 50VDC CER	16299	CAC02X7R102M100A
A51C26	0160-0196	5	5	CAPACITOR-FXD 24PF +-5% 300VDC MICA	28480	0160-0196
A51C27	0160-2200	6	6	CAPACITOR-FXD 43PF +-5% 300VDC MICA	28480	0160-2200
A51C28	0160-3847	9		CAPACITOR-FXD .01UF +100-0% 50VDC CER	16299	CAC02X7R103M050A
A51C29	0160-3847	9		CAPACITOR-FXD .01UF +100-0% 50VDC CER	16299	CAC02X7R103M050A
A51C30	0160-3847	9		CAPACITOR-FXD .01UF +100-0% 50VDC CER	16299	CAC02X7R103M050A
A51C31	0160-3847	9		CAPACITOR-FXD .01UF +100-0% 50VDC CER	16299	CAC02X7R103M050A
A51C33	0160-3847	9		CAPACITOR-FXD .01UF +100-0% 50VDC CER	16299	CAC02X7R103M050A
A51C34	0160-3847	9	9	CAPACITOR-FXD .01UF +100-0% 50VDC CER	16299	CAC02X7R103M050A
A51C35	0160-3847	9		CAPACITOR-FXD .01UF +100-0% 50VDC CER	16299	CAC01X75103M050A
A51C36	0160-2202	8		CAPACITOR-FXD 75PF +-5% 300VDC MICA	08113	HP15750J3C1
A51C50	0180-1846	6	3	CAPACITOR-FXD 2.2UF +-10% 35VDC TA	56289	150D225X9035B2-DYS
A51C51	0180-0291	3		CAPACITOR-FXD 1UF+-10% 35VDC TA	56289	150D105X9035A2
A51C52	0180-1846	6		CAPACITOR-FXD 2.2UF+-10% 35VDC TA	56289	150D225X9035B2
A51C53	0180-0291	3		CAPACITOR-FXD 1UF+-10% 35VDC TA	56289	150D105X9035A2

See introduction to this section for ordering information  
 \*Indicates factory selected value



**Table 9-3. Replaceable Parts (Cont'd)**

Reference Designation	HP Part Number	C D	Qty	Description	Mfr Code	Mfr Part Number
A51C60	0160-4571	8		CAPACITOR-FXD .1UF +80-20% 50VDC CER	16299	CAC03Z5U104Z050A
A51C61	0160-4571	8		CAPACITOR-FXD .1UF +80-20% 50VDC CER	16299	CAC03Z5U104Z050A
A51C62	0160-4571	8		CAPACITOR-FXD .1UF +80-20% 50VDC CER	16299	CAC03Z5U104Z050A
A51C64	0160-4571	8		CAPACITOR-FXD .1UF +80-20% 50VDC CER	16299	CAC03Z5U104Z050A
A51C65	0160-4571	8		CAPACITOR-FXD .1UF +80-20% 50VDC CER	16299	CAC03Z5U104Z050A
A51C66	0160-4571	8		CAPACITOR-FXD .1UF +80-20% 50VDC CER	16299	CAC03Z5U104Z050A
A51C67	0160-4571	8		CAPACITOR-FXD .1UF +80-20% 50VDC CER	16299	CAC03Z5U104Z050A
A51C70	0160-4571	8		CAPACITOR-FXD .1UF +80-20% 50VDC CER	16299	CAC03Z5U104Z050A
A51C71	0160-4571	8		CAPACITOR-FXD .1UF +80-20% 50VDC CER	16299	CAC03Z5U104Z050A
A51C72	0160-4571	8		CAPACITOR-FXD .1UF +80-20% 50VDC CER	16299	CAC03Z5U104Z050A
A51C73	0160-4571	8		CAPACITOR-FXD .1UF +80-20% 50VDC CER	16299	CAC03Z5U104Z050A
A51CR1	1902-1329	3	3	DIODE-ZNR 6.6V	28480	1902-1329
A51CR2	0122-0089	5		DIODE-VVC 29PF 10X C3/C25-MIN#5 8VRR=30V	04713	MV109
A51CR4	0122-0089	5		DIODE-VVC 29PF 10X C3/C25-MIN#5 8VRR=30V	04713	MV109
A51CR5	1901-0040	1		DIODE-SWITCHING 30V 50MA 2NS DO-35	28480	1901-0040
A52CR6	1902-0049	2		DIODE-ZNR 6.19V 5% DO-35 PD=.4W	04713	SZ30016-122
A51J1	1250-1512	3		CONNECTOR=RF SMB M PC 50-OHM	28480	1250-1512
A51J2	1250-1512	3		CONNECTOR=RF SMB M PC 50-OHM	28480	1250-1512
A51L1	9140-0210	1		COIL=MLD 100UH 5% Q#50 .155DX,375LG=NOM	28480	9140-0210
A51L2	9100-1624	9	3	INDUCTOR RF-CH-MLD 30UH 5% .166DX.385LG	24226	15M302J
A51L3*	9140-0283	8		INDUCTOR RF-CH-MLD 910NH 5% .166DX.385LG	24226	15M910J-1
A51L3*	9140-0261	2		INDUCTOR RF-CH-MLD 100NH 5% .166DX.385LG	24226	15M100J-2
A51L3*	9100-3552	6		INDUCTOR RF-CH-MLD 1.5UH 5% .166DX.385LG	24226	15M151J
A51L4	9140-0285	0		INDUCTOR RF-CH-MLD 3UH 5% .166DX.385LG	24226	15M301J-1
A51L5	9140-0285	0	1	COIL=MLD 3UH 5% Q#33 .155DX,375LG=NOM	28480	9140-0285
A51L6	9140-0210	1		COIL=MLD 100UH 5% Q#50 .155DX,375LG=NOM	28480	9140-0210
A51L7	9140-0284	9	1	COIL=MLD 2.4UH 5% Q#33 .155DX,375LG=NOM	28480	9140-0284
A51L8	9100-3551	5		COIL=MLD 1UH 5% Q#50 .155DX,375LG=NOM	28480	9100-3551
A51L9	9100-3551	5		COIL=MLD 1UH 5% Q#50 .155DX,375LG=NOM	28480	9100-3551
A51L10	9100-3551	5		COIL=MLD 1UH 5% Q#50 .155DX,375LG=NOM	28480	9100-3551
A51L11	9140-0210	1		COIL=MLD 100UH 5% Q#50 .155DX,375LG=NOM	28480	9140-0210
A51L12	9140-0210	1		INDUCTOR RF-CH-MLD 100UH 5% .166DX.385LG	24226	15/103
A51L13	9140-0210	1		INDUCTOR RF-CH-MLD 10UH 5% .166DX.385LG	24226	15/103
A51L14	9100-3551	5		INDUCTOR RF-CH-MLD 1UH 5% .166DX.385LG	24226	15M101J
A51L15	9100-3551	5		INDUCTOR RF-CH-MLD 1UH 5% .166DX.385LG	24226	15M101J
A51L16	9100-3551	5		INDUCTOR RF-CH-MLD 1UH 5% .166DX.385LG	24226	15M101J
A51L17	9100-3551	5		INDUCTOR RF-CH-MLD 1UH 5% .166DX.385LG	24226	15M101J
A51L20	9100-3562	8		INDUCTOR RF-CH-MLD 4.7UH 5% .166DX.385LG	24226	15M471J
A51Q1	1853-0010	2		TRANSISTOR PNP SI TO-18 PD=360MW	28480	1853-0010
A51Q2	1854-0215	1		TRANSISTOR NPN SI PD=350MW FT=300MHZ	04713	2N3904
A51Q3	1854-0215	1		TRANSISTOR NPN SI PD=350MW FT=300MHZ	04713	2N3904
A51Q4	1853-0089	5		TRANSISTOR PNP 2N4917 SI PD=200MW	07263	2N4917
A51Q5	1853-0089	5		TRANSISTOR PNP 2N4917 SI PD=100MW	27014	2N4917
A51Q6	1854-0485	7		TRANSISTOR NPN SI TO-104 PD=175MW	28480	1854-0485
A51Q7	1854-0485	7		TRANSISTOR NPN SI TO-104 PD=175MW	04713	SRF281
A51Q8	1853-0089	5		TRANSISTOR PNP 2N4917 SI PD=100MW	27014	2N4917
A51Q9	1853-0089	5		TRANSISTOR PNP 2N4917 SI PD=100MW	27014	1N4917
A51R1	0698-6801	0	3	RESISTOR 3.48K 1% .125W F TC=0+-25	28480	0698-6801
A51R2	0698-4504	6	1	RESISTOR 69.8K 1% .125W F TC=0+-100	24546	C4=1/8-T0=6982-F
A51R3	0683-1035	1		RESISTOR 10K 5% .25W FC TC=-400/+700	01121	CB1035
A51R4	0683-1035	1		RESISTOR 10K 5% .25W FC TC=-400/+700	01121	CB1035
A51R5	0698-6801	0		RESISTOR 3.48K 1% .125W F TC=0+-25	28480	0698-6801
A51R6	0698-6801	0		RESISTOR 3.48K 1% .125W F TC=0+-25	28480	0698-6801
A51R7	0698-3459	8	1	RESISTOR 383K 1% .125W F TC=0+-100	28480	0698-3459
A51R8	0698-3558	8		RESISTOR 4.02K 1% .125W F TC=0+-100	24546	C4=1/8-T0=4021-F
A51R9	0683-1025	9		RESISTOR 1K 5% .25W FC TC=-400/+600	01121	CB1025
A51R10	0683-2245	7		RESISTOR 220K 5% .25W FC TC=-800/+900	01121	CB2245
A51R11	0683-1535	6		RESISTOR 15K 5% .25W FC TC=-400/+800	01121	CB1535
A51R12	0683-1225	1		RESISTOR 1.2K 5% .25W FC TC=-400/+700	19701	(CR-25) 1-4-5P-1K2
A51R13	0683-4705	8		RESISTOR 47 5% .25W FC TC=-400/+500	01121	CB4705
A51R14	0683-1035	1		RESISTOR 10K 5% .25W FC TC=-400/+700	01121	CB1035
A51R15	0683-1025	9		RESISTOR 1K 5% .25W FC TC=-400/+600	01121	CB1025
A51R16	0683-2725	8		RESISTOR 2.7K 5% .25W FC TC=-400/+700	01121	CB2725
A51R19	0683-4705	8		RESISTOR 47 5% .25W FC TC=-400/+500	01121	CB4705
A51R20	0683-1035	1		RESISTOR 10K 5% .25W FC TC=-400/+700	01121	CB1035
A51R21	0683-1025	9		RESISTOR 1K 5% .25W FC TC=-400/+600	01121	CB1025
A51R22	0683-4705	8		RESISTOR 47 5% .25W FC TC=-400/+500	01121	CB4705
A51R24	0683-1035	1		RESISTOR 10K 5% .25W FC TC=-400/+700	01121	CB1035
A51R25	0683-1035	1		RESISTOR 10K 5% .25W FC TC=-400/+700	01121	CB1035
A51R26	0683-4725	2		RESISTOR 4.7K 5% .25W FC TC=-400/+700	01121	CB4725
A51R27	0683-1035	1		RESISTOR 10K 5% .25W FC TC=-400/+700	01121	CB1035
A51R28	0683-1035	1		RESISTOR 10K 5% .25W FC TC=-400/+700	01121	CB1035
A51R29	0683-4725	2		RESISTOR 4.7K 5% .25W FC TC=-400/+700	01121	CB4725
A51R32	0683-3315	4		RESISTOR 330 5% .25W FC TC=-400/+600	19701	(CR-25) 1-4-5P-330E
A51R33	0683-5105	4		RESISTOR 51 5% .25W FC TC=-400/+500	01121	CB5105
A51R34	0683-5105	4		RESISTOR 51 5% .25W FC TC=-400/+500	01121	CB5105
A51R35	0683-1335	4	2	RESISTOR 13K 5% .25W FC TC=-400/+800	01121	CB1335
A51R36	0683-5105	4		RESISTOR 51 5% .25W FC TC=-400/+500	01121	CB5105
A51R37	0683-4725	2		RESISTOR 4.7K 5% .25W FC TC=-400/+700	01121	CB4725

See introduction to this section for ordering information  
\*Indicates factory selected value

**Table 9-3. Replaceable Parts (Cont'd)**

Reference Designation	HP Part Number	C D	Qty	Description	Mfr Code	Mfr Part Number
A51R38	0683-6215	9		RESISTOR 620 5% .25W FC TC=-400/+600	01121	CB6215
A51R39	0683-6215	9		RESISTOR 620 5% .25W FC TC=-400/+600	01121	CB6215
A51R40	0683-3305	2		RESISTOR 33 5% .25W FC TC=-400/+500	01121	CB3305
A51R41	0683-5105	4		RESISTOR 51 5% .25W FC TC=-400/+500	01121	CB5105
A51R42	0683-3305	2		RESISTOR 33 5% .25W FC TC=-400/+500	01121	CB3305
A51R43	0683-5105	4		RESISTOR 51 5% .25W FC TC=-400/+500	01121	CB5105
A51R45	0683-2415	3		RESISTOR 240 5% .25W FC TC=-400/+600	01121	CB2415
A51R46	0683-2415	3		RESISTOR 240 5% .25W FC TC=-400/+600	01121	CB2415
A51R47	0683-5105	4		RESISTOR 51 5% .25W FC TC=-400/+500	01121	CB5105
A51R48	0683-5105	4		RESISTOR 51 5% .25W FC TC=-400/+500	01121	CB5105
A51R49	0683-3315	4		RESISTOR 330 5% .25W FC TC=-400/+600	01121	CB3315
A51R50	0683-2425	5		RESISTOR 24K 5% .25W FC TC=-400/+700	01121	CB2425
A51R51	0683-4725	2		RESISTOR 4.7K 5% .25W FC TC=-400/+700	01121	CB4725
A51R52	0683-5105	4		RESISTOR 51 5% .25W FC TC=-400/+500	01121	CB5105
A51R53	0683-1025	9		RESISTOR 1K 5% .25W FC TC=-400/+600	01121	CB1025
A51R60	0683-3925	2		RESISTOR 3.9K 5% .25W FC TC=-400/+700	19701	(CR-25) 1-4-5P-3K9
A51R61	0683-4705	8		RESISTOR 47 5% .25W FC TC=-400/+500	19701	(CR-25) 1-4-5P-47E
A51R62	0698-0083	8		RESISTOR 1.96K 1% .125W F TC=0+-100	91637	CMF-55-1,T-1
A51R63	0683-4705	8		RESISTOR 47 5% .25W FC TC=-400/+500	19701	(CR-25) 1-4-5P-47E
A51R64	0683-4715	0		RESISTOR 470 5% .25W FC TC=-400/+600	19701	(CR-25) 1-4-5P-470E
A51R66	0698-0083	8		RESISTOR 1.96K 1% .125W F TC=0+-100	91637	CMF-55-1,T-1
A51R67	0683-4715	0		RESISTOR 470 5% .25W FC TC=-400/+600	19701	(CR-25) 1-4-5P-470E
A51R68	0683-2725	8		RESISTOR 2.7K 5% .25W FC TC=-400/+700	19701	(CR-25) 1-4-5P-2K7
A51R69	0683-4705	8		RESISTOR 47 5% .25W FC TC=-400/+500	19701	(CR-25) 1-4-5P-47E
A51R70	0683-3925	2		RESISTOR 3.9K 5% .25W FC TC=-400/+700	19701	(CR-25) 1-4-5P-3K9
A51R71	0683-1025	9		RESISTOR 1K 5% .25W FC TC=-400/+600	19701	(CR-25) 1-4-5P-1K
A51R72	0683-1025	9		RESISTOR 1K 5% .25W FC TC=-400/+600	19701	(CR-25) 1-4-5P-1K
A51R73	0683-1025	9		RESISTOR 1K 5% .25W FC TC=-400/+600	19701	(CR-25) 1-4-5P-1K
A51R74	0683-2425	5		RESISTOR 2.4K 5% .25W FC TC=-400/+700	19701	(CR-25) 1-4-5P-2K4
A51R75	0683-4705	8		RESISTOR 47 5% .25W FC TC=-400/+500	19701	(CR-25) 1-4-5P-47E
A51R76	0683-1025	9		RESISTOR 1K 5% .25W FC TC=-400/+600	19701	(CR-25) 1-4-5P-1K
A51T1	08552-6044	1		TRANSFORMER, 6-TURNS	28480	08552-6044
A51TP1	0360-1653	5	3	CONNECTOR-SGL CONT PIN .045-IN-BSC-SZ 8Q	28480	0360-1653
A51TP2	0360-1653	5		CONNECTOR-SGL CONT PIN .045-IN-BSC-SZ 8Q	28480	0360-1653
A51TP3	0360-1653	5		CONNECTOR-SGL CONT PIN .045-IN-BSC-SZ 8Q	28480	0360-1653

See introduction to this section for ordering information  
 \*Indicates factory selected value

Table 9-3. Replaceable Parts (Cont'd)

Reference Designation	HP Part Number	C D	Qty	Description	Mfr Code	Mfr Part Number		
A51U1	1826-1196	8	5	IC FF TTL LS D-TYPE POS-EDGE-TRIG COM CONV 8-B=D/A 16-DIP-C	01295	SN74LS174N		
A51U2	1826-0188	8			04713	MC1408L-8		
A51U3	1826-1196	8			01295	SN74LS174N		
A51U4	1826-0188	8			04713	MC1408L-8		
A51U5	1826-0043	4			0192B	CA307T		
A51U6	1826-0043	4	1	OP AMP GP TO-99	0192B	CA307T		
A51U7	1820-1197	9			01295	SN74LS00N		
A51U8	1820-0693	8			01295	SN74874N		
A51U9	1826-0309	5			24355	AD518J		
A51U10	1858-0004	4			0192B	CA3049		
A51U12	1826-0512	2			2	IC 78M15C V RGLTR TO-39	04713	MC78M15CG
A51U13	1826-0511	1	2	IC 79M15A V RGLTR TO-39	01295	UA79M15CLA		
A51X1	0410-1137	7	1	CRYSTAL 10.340 MHZ	28480	0410-1137		
				A51 MISCELLANEOUS PARTS				
	03585-04109	6	1	COVER, A51	28480	03585-04109		
	0370-2583	3	4	KNOB	28480	0370-2583		
	1205-0011	0			28480	1205-0011		
	2950-0078	9			28480	2950-0078		
	2190-0124	4			28480	2190-0124		
	1200-0185	9	2	WASHER=LK INTL T NO. 10 .195-IN-ID INSULATOR=XSTR NYLON	28480	1200-0185		
A52	03585-66552	3	1	TRACKING GENERATOR OUTPUT	28480	03585-66552		
A52C2	0160-0291	3	14	CAPACITOR-FXD 1UF+-10% 35VDC TA	56289	150D105X9035A2		
A52C3	0160-3622	8			28480	2130Y5V100R104Z		
A52C4	0160-2055	9			28480	0160-2055		
A52C5	0160-3456	6			28480	0160-3456		
A52C6	0160-3622	8			28480	2130Y5V100R104Z		
A52C9	0160-2055	9			28480	0160-2055		
A52C10	0180-0210	6			56289	150D335X0015A2		
A52C11	0180-0228	6			56289	150D226X9015B2		
A52C12	0160-2055	9			28480	0160-2055		
A52C13	0180-0210	6			56289	150D335X0015A2		
A52C14	0180-0228	6			56289	150D226X9015B2		
A52C15	0180-0228	6			56289	150D226X9015B2		
A52C16	0121-0180	5			1	CAPACITOR-V TRMR=CER 15-60PF 200V PC-MTG	72982	538-006 F 15-60
A52C18	0160-2250	6			28480	0160-2250		
A52C19	0160-2234	6	2	CAPACITOR-FXD .51PF +- .25PF 500VDC CER	28480	0160-2234		
A52C20	0160-2251	7	1	CAPACITOR-FXD 5.6PF +- .25PF 500VDC CER	28480	0160-2251		
A52C21	0150-0091	8	1	CAPACITOR-FXD 1.5PF +- .25PF 500VDC CER	28480	0150-0091		
A52C22	0160-2241	5	28480	0160-2241				
A52C24	0160-2055	9	28480	0160-2055				
A52C25	0160-2055	9	28480	0160-2055				
A52C26	0160-2055	9	28480	0160-2055				
A52C27	0160-2055	9	28480	0160-2055				
A52C28	0160-3622	8	28480	2130Y5V100R104Z				
A52C29	0160-2261	9	28480	0160-2261				
A52C30	0160-2234	6	1	CAPACITOR-FXD .51PF +- .25PF 500VDC CER	28480	0160-2234		
A52C31	0160-2264	2			28480	0160-2264		
A52C32	0160-2055	9			28480	0160-2055		
A52C33	0160-2261	9			28480	0160-2261		
A52C34	0160-2055	9	28480	0160-2055				
A52C35	0160-2055	9	28480	0160-2055				
A52C36	0160-3456	6	28480	0160-3456				
A52C37	0160-2055	9	28480	0160-2055				
A52C38	0160-2055	9	28480	0160-2055				
A52C39	0160-2055	9	28480	0160-2055				
A52C40	0160-2055	9	28480	0160-2055				
A52C41	0160-2055	9	28480	0160-2055				
A52C42	0160-2257	3	28480	0160-2257				
A52C44	0160-2046	8	1	CAPACITOR-FXD 2PF +- .5PF 500VDC MICA	28480	0160-2046		
A52C57	0160-2055	9	28480	0160-2055				
A52C58	0140-0190	7	28480	DM15E390J0300HV1CR				
A52C59	0160-2197	0	28480	0160-2197				
A52C61	0160-2055	9	28480	0160-2055				
A52C62	0160-2055	9	28480	0160-2055				
A52C63	0180-0210	6	56289	150D335X0015A2				
A52CR3	1902-3149	9	1	DIODE-ZNR 9.09V 5% DO-7 PD=.4W TC=+.057%	28480	1902-3149		
A52CR4	1902-3149	9			28480	1902-3149		
A52CR6	1902-3128	4			28480	1902-3128		
A52CR7	1901-0040	1			28480	1901-0040		
A52CR10	1901-0040	1			28480	1901-0040		
						DIODE-SWITCHING 30V 50MA 2NS DO-35		

See introduction to this section for ordering information  
 \*Indicates factory selected value

Table 9-3. Replaceable Parts (Cont'd)

Reference Designation	HP Part Number	C D	Qty	Description	Mfr Code	Mfr Part Number	
A52CR11	1901-0050	3	6	DIODE-SWITCHING 80V 200MA 2NS DO-35	28480	1901-0050	
A52CR12	1901-0050	3		DIODE-SWITCHING 80V 200MA 2NS DO-35	28480	1901-0050	
A52CR13	1902-3002	3		DIODE-ZNR 2.37V 5% DO-7 PD=.4W TC=-.074%	28480	1902-3002	
A52CR14	1902-3002	3		DIODE-ZNR 2.37V 5% DO-7 PD=.4W TC=-.074%	28480	1902-3002	
A52J1	1250-1512	3		CONNECTOR=RF SMB M PC 50-OHM	28480	1250-1512	
A52J2	1250-1512	3		CONNECTOR=RF SMB M PC 50-OHM	28480	1250-1512	
A52J3	1250-1512	3		CONNECTOR=RF SMB M PC 50-OHM	28480	1250-1512	
A52J4	1250-1512	3		CONNECTOR=RF SMB M PC 50-OHM	28480	1250-1512	
A52J5	1250-1512	3		CONNECTOR=RF SMB M PC 50-OHM	28480	1250-1512	
A52J7	1251-5203	9	1	CONNECTOR 6-PIN M POST TYPE	28480	1251-5203	
A52L2	9140-0144	0	1	COIL-MLD 4.7UH 10% Q=45 .095DX.25LG-NOM	28480	9140-0144	
A52L3	9140-0144	0		COIL-MLD 4.7UH 10% Q=45 .095DX.25LG-NOM	28480	9140-0144	
A52L4	9140-0144	0		COIL-MLD 4.7UH 10% Q=45 .095DX.25LG-NOM	28480	9140-0144	
A52L6	9140-0283	8		COIL-MLD 910NH 5% Q=50 .155DX.375LG-NOM	28480	9140-0283	
A52L7	9100-2258	7		COIL-MLD 1.2UH 10% Q=32 .095DX.25LG-NOM	28480	9100-2258	
A52L9	9140-0144	0		COIL-MLD 4.7UH 10% Q=45 .095DX.25LG-NOM	28480	9140-0144	
A52L11	9100-2252	1		COIL-MLD 270NH 10% Q=30 .095DX.25LG-NOM	28480	9100-2252	
A52L14	9140-0286	1	COIL-MLD 300NH 5% Q=45 .155DX.375LG-NOM	28480	9140-0286		
A52L16	9140-0144	0	6	COIL-MLD 4.7UH 10% Q=45 .095DX.25LG-NOM	28480	9140-0144	
A52L17	9140-0158	0		COIL-MLD 1UH 10% Q=32 .095DX.25LG-NOM	28480	9140-0158	
A52L18	9140-0144	0		COIL-MLD 4.7UH 10% Q=45 .095DX.25LG-NOM	28480	9140-0144	
A52L30	9140-0144	0		COIL-MLD 4.7UH 10% Q=45 .095DX.25LG-NOM	28480	9140-0144	
A5204	1855-0395	0	2	TRANSISTOR J-FET N-CHAN D-MODE SI	17856	FN2645	
A5205	1855-0395	0		TRANSISTOR J-FET N-CHAN D-MODE SI	17856	FN2645	
A5206	1854-0345	8		TRANSISTOR NPN 2N5179 SI TO-72 PD=200MW	04713	2N5179	
A5207	1854-0019	3		TRANSISTOR NPN SI TO-18 PD=360MW	28480	1854-0019	
A5208	1853-0034	0		TRANSISTOR PNP SI TO-18 PD=360MW	28480	1853-0034	
A5209	1854-0345	8	2	TRANSISTOR NPN 2N5179 SI TO-72 PD=200MW	04713	2N5179	
A52010	1854-0019	3		TRANSISTOR NPN SI TO-18 PD=360MW	28480	1854-0019	
A52011	1853-0034	0		TRANSISTOR PNP SI TO-18 PD=360MW	28480	1853-0034	
A52012	1854-0485	7		TRANSISTOR NPN SI TO-104 PD=175MW	28480	1854-0485	
A52013	1854-0485	7		TRANSISTOR NPN SI TO-104 PD=175MW	28480	1854-0485	
A52014	1854-0485	7		TRANSISTOR NPN SI TO-104 PD=175MW	28480	1854-0485	
A52015	1854-0485	7		TRANSISTOR NPN SI TO-104 PD=175MW	28480	1854-0485	
A52016	1854-0485	7	TRANSISTOR NPN SI TO-104 PD=175MW	28480	1854-0485		
A52017	1854-0485	7	TRANSISTOR NPN SI TO-104 PD=175MW	28480	1854-0485		
A52030	1855-0420	2	2	TRANSISTOR J-FET 2N4391 N-CHAN D-MODE	01295	2N4391	
A52031	1855-0420	2	2	TRANSISTOR J-FET 2N4391 N-CHAN D-MODE	01295	2N4391	
A52032	1855-0420	2		TRANSISTOR J-FET 2N4391 N-CHAN D-MODE	01295	2N4391	
A52033	1855-0420	2		TRANSISTOR J-FET 2N4391 N-CHAN D-MODE	01295	2N4391	
A52034	1855-0420	2		TRANSISTOR J-FET 2N4391 N-CHAN D-MODE	01295	2N4391	
A52035	1855-0420	2		TRANSISTOR J-FET 2N4391 N-CHAN D-MODE	01295	2N4391	
A52036	1854-0019	3	3	TRANSISTOR NPN SI TO-18 PD=360MW	28480	1854-0019	
A52037	1853-0203	5		TRANSISTOR PNP SI TO-18 PD=360MW	28480	1853-0203	
A52038	1854-0019	3		TRANSISTOR NPN SI TO-18 PD=360MW	28480	1854-0019	
A52R3	0683-1325	2	19	RESISTOR 1.3K 5% .25W FC TC=-400/+700	01121	C81325	
A52R4	0683-1505	0		RESISTOR 15 5% .25W FC TC=-400/+500	01121	C81505	
A52R6	0683-1025	9		RESISTOR 1K 5% .25W FC TC=-400/+600	01121	C81025	
A52R9	0683-1535	6		RESISTOR 15K 5% .25W FC TC=-400/+800	01121	C81535	
A52R10	0683-1525	4		RESISTOR 1.5K 5% .25W FC TC=-400/+700	01121	C81525	
A52R11	0683-2045	5		RESISTOR 200K 5% .25W FC TC=-800/+900	01121	C82045	
A52R12	0683-1045	3		RESISTOR 100K 5% .25W FC TC=-400/+800	01121	C81045	
A52R13	0683-1045	3		RESISTOR 100K 5% .25W FC TC=-400/+800	01121	C81045	
A52R14	0683-4725	2		RESISTOR 4.7K 5% .25W FC TC=-400/+700	01121	C84725	
A52R15	0683-2045	5		RESISTOR 200K 5% .25W FC TC=-800/+900	01121	C82045	
A52R16	0683-3315	4		RESISTOR 330 5% .25W FC TC=-400/+600	01121	C83315	
A52R17	0683-1015	7		RESISTOR 100 5% .25W FC TC=-400/+500	01121	C81015	
A52R18	0683-3925	2		RESISTOR 3.9K 5% .25W FC TC=-400/+700	01121	C83925	
A52R19	0683-3325	6		RESISTOR 3.3K 5% .25W FC TC=-400/+700	01121	C83325	
A52R21	0699-0195	5		1	RESISTOR 47.5 1% .25W F TC=0+-100	28480	0699-0195
A52R22	0683-1035	1		1	RESISTOR 10K 5% .25W FC TC=-400/+700	01121	C81035
A52R24	0683-2025	1			RESISTOR 2K 5% .25W FC TC=-400/+700	01121	C82025
A52R25	0683-2035	3			RESISTOR 20K 5% .25W FC TC=-400/+800	01121	C82035
A52R26	0683-1035	1			RESISTOR 10K 5% .25W FC TC=-400/+700	01121	C81035
A52R27	0683-1255	7	RESISTOR 1.2M 5% .25W FC TC=-900/+1100		01121	C81255	
A52R28	0757-0445	2	RESISTOR 13K 1% .125W F TC=0+-100		24546	C4-1/8-T0-1302-F	
A52R29	0698-4123	5	RESISTOR 499 1% .125W F TC=0+-100		24546	C4-1/8-T0-499R-F	
A52R30	0683-3325	6	RESISTOR 3.3K 5% .25W FC TC=-400/+700	01121	C83325		
A52R31	0683-2025	1	RESISTOR 2K 5% .25W FC TC=-400/+700	01121	C82025		
A52R32	0757-0277	8	1	RESISTOR 49.9 1% .125W F TC=0+-100	24546	C4-1/8-T0-4992-F	
A52R33	0757-0411	2	1	RESISTOR 332 1% .125W F TC=0+-100	24546	C4-1/8-T0-332R-F	
A52R34	0683-2035	3		RESISTOR 20K 5% .25W FC TC=-400/+800	01121	C82035	
A52R35	0683-2035	3		RESISTOR 20K 5% .25W FC TC=-400/+800	01121	C82035	
A52R36	0683-1505	0		RESISTOR 15 5% .25W FC TC=-400/+500	01121	C81505	
A52R37	0683-2035	3		RESISTOR 20K 5% .25W FC TC=-400/+800	01121	C82035	

See introduction to this section for ordering information  
 \*Indicates factory selected value

Table 9-3. Replaceable Parts (Cont'd)

Reference Designation	HP Part Number	C D	Qty	Description	Mfr Code	Mfr Part Number
A52R38	0683-2035	3		RESISTOR 20K 5% .25W FC TC=-400/+800	01121	CB2035
A52R39	0698-4421	6		RESISTOR 249 1% .125W F TC=0/+100	24546	C4=1/8-T0-249R-F
A52R42	0698-4421	6		RESISTOR 249 1% .125W F TC=0/+100	24546	C4=1/8-T0-249R-F
A52R43	0683-2415	3		RESISTOR 240 5% .25W FC TC=-400/+600	01121	CB2415
A52R44	0683-5105	4		RESISTOR 51 5% .25W FC TC=-400/+500	01121	CB5105
A52R45	0683-5105	4		RESISTOR 51 5% .25W FC TC=-400/+500	01121	CB5105
A52R46	0683-4715	0		RESISTOR 470 5% .25W FC TC=-400/+600	01121	CB4715
A52R47	0683-2215	1		RESISTOR 220 5% .25W FC TC=-400/+600	01121	CB2215
A52R48	0683-5105	4		RESISTOR 51 5% .25W FC TC=-400/+500	01121	CB5105
A52R49	0683-5105	4		RESISTOR 51 5% .25W FC TC=-400/+500	01121	CB5105
A52R50	0683-1335	4		RESISTOR 13K 5% .25W FC TC=-400/+800	01121	CB1335
A52R51	0683-4725	2		RESISTOR 4.7K 5% .25W FC TC=-400/+700	01121	CB4725
A52R52	0683-4715	0		RESISTOR 470 5% .25W FC TC=-400/+600	01121	CB4715
A52R53	0683-4715	0		RESISTOR 470 5% .25W FC TC=-400/+600	01121	CB4715
A52R54	0683-5105	4		RESISTOR 51 5% .25W FC TC=-400/+500	01121	CB5105
A52R55	0683-5105	4		RESISTOR 51 5% .25W FC TC=-400/+500	01121	CB5105
A52R56	0683-5105	4		RESISTOR 51 5% .25W FC TC=-400/+500	01121	CB5105
A52R57	0683-4725	2		RESISTOR 4.7K 5% .25W FC TC=-400/+700	01121	CB4725
A52R58	0683-2425	5		RESISTOR 2.4K 5% .25W FC TC=-400/+700	01121	CB2425
A52R59	0757-0398	4	2	RESISTOR 75 1% .125W F TC=0/+100	24546	C4=1/8-T0-75R0-F
A52R60	0757-0398	4		RESISTOR 75 1% .125W F TC=0/+100	24546	C4=1/8-T0-75R0-F
A52R61	0683-3315	4		RESISTOR 330 5% .25W FC TC=-400/+600	01121	CB3315
A52R62	0757-0394	0		RESISTOR 51.1 1% .125W F TC=0/+100	24546	C4=1/8-T0-51R1-F
A52R63	0757-0284	7	4	RESISTOR 150 1% .125W F TC=0/+100	24546	C4=1/8-T0-151-F
A52R64	0757-0407	6		RESISTOR 200 1% .125W F TC=0/+100	24546	C4=1/8-T0-201-F
A52R65	0683-1135	2		RESISTOR 11K 5% .25W FC TC=-400/+800	19701	(CR-25) 1-4-5P-11K
A52R66	0683-5105	4		RESISTOR 51 5% .25W FC TC=-400/+500	01121	CB5105
A52R67	0698-4196	2	1	RESISTOR 1.07K 1% .125W F TC=0/+100	24546	C4=1/8-T0=1071-F
A52R68	2100-3207	1		RESISTOR-TRMR 5K 10% C SIDE=ADJ 1-TRN	28480	2100-3207
A52R69	0683-5105	4		RESISTOR 51 5% .25W FC TC=-400/+500	01121	CB5105
A52R70	0757-0427	0	2	RESISTOR 1.5K 1% .125W F TC=0/+100	24546	C4=1/8-T0=1501-F
A52R71	0757-0427	0		RESISTOR 1.5K 1% .125W F TC=0/+100	24546	C4=1/8-T0=1501-F
A52R72	0683-2015	9		RESISTOR 200 5% .25W FC TC=-400/+600	01121	CB2015
A52R73	0683-5105	4		RESISTOR 51 5% .25W FC TC=-400/+500	01121	CB5105
A52R74	0683-1015	7		RESISTOR 100 5% .25W FC TC=-400/+500	01121	CB1015
A52R75	0683-4725	2		RESISTOR 4.7K 5% .25W FC TC=-400/+700	01121	CB4725
A52R76	0683-5105	4		RESISTOR 51 5% .25W FC TC=-400/+500	01121	CB5105
A52R77	0683-5105	4		RESISTOR 51 5% .25W FC TC=-400/+500	01121	CB5105
A52R78	0683-1525	4		RESISTOR 1.5K 5% .25W FC TC=-400/+700	01121	CB1525
A52R79	0683-1525	4		RESISTOR 1.5K 5% .25W FC TC=-400/+700	01121	CB1525
A52R85	0683-4705	8		RESISTOR 47 5% .25W FC TC=-400/+500	19701	(CR-25) 1-4-5P-47E
A52R94	0683-3615	7		RESISTOR 360 5% .25W FC TC=-400/+600	01121	CB3615
A52R100	0683-5105	4		RESISTOR 51 5% .25W FC TC=-400/+500	01121	CB5105
A52T1	08552-6044	1		TRANSFORMER, 6-TURNS	28480	08552-6044
A52T2	08552-6044	1		TRANSFORMER, 6-TURNS	28480	08552-6044
A52U2	1826-0138	8		COMPARATOR GP QUAD 14-DIP-P	04713	MLM339P
A52U3	1826-0111	7		OP AMP GP DUAL T0-99	04713	MC1458G
A52U4	1858-0004	4		TRANSISTOR ARRAY	0192B	CA3049
				A52 MISCELLANEOUS PARTS		
A53	03585-00602	6	1	SHIELD, A52	28480	03585-00602
	03585-04108	5	1	COVER, A52	28480	03585-04108
	03585-24113	4	1	PLATE A52	28480	03585-24113
	03585-66553	4	1	TRACKING GEN VCO	28480	03585-66553
	0370-2583	3	1	KNOB	28480	0370-2583
	0590-0526	6	3	THREADED INSERT-NUT 4-40 .065-LG SST	28480	0590-0526
	5001-0173	7		STRAP GROUND	28480	5001-0173
	2360-0193	8	4	SCREW-MACH 6-32 .25-IN-LG PAN=HD=POZI	00000	ORDER BY DESCRIPTION
	2950-0078	9		NUT=HEX=DBL-CHAM 10-32-TMD .067-IN-TMK	28480	2950-0078
	2190-0124	4		WASHER=LK INTL T NO. 10 .195-IN-ID	28480	2190-0124
A53	03585-66553	4	1	TRACKING GENERATOR VCO (P/O A52)	28480	03585-66553
A53C45	0160-3847	9		CAPACITOR=FXD .01UF +100-0% 50VDC CER	28480	0160-3847
A53C46	0160-3847	9		CAPACITOR=FXD .01UF +100-0% 50VDC CER	28480	0160-3847
A53C47	0160-3847	9		CAPACITOR=FXD .01UF +100-0% 50VDC CER	28480	0160-3847
A53C48	0160-3847	9		CAPACITOR=FXD .01UF +100-0% 50VDC CER	28480	0160-3847
A53C49	0160-2260	8		CAPACITOR=FXD 13PF +-5% 500VDC CER 0+-30	28480	0160-2260
A53C50	0121-0059	7	1	CAPACITOR=V TRMR-CER 2=8PF 350V PC-MTG	52763	304324 2/8PF NPO
A53C51	0160-4283	9		CAPACITOR=FXD 100PF +-5% 200VDC CER	51642	150=200-NPO-101J
A53C52	0160-2257	3		CAPACITOR=FXD 10PF +-5% 500VDC CER 0+-60	28480	0160-2257
A53C53	0160-3456	6		CAPACITOR=FXD 1000PF +-10% 1KVDC CER	28480	0160-3456
A53C54	0160-3847	9		CAPACITOR=FXD .01UF +100-0% 50VDC CER	28480	0160-3847
A53C55	0160-2255	1		CAPACITOR=FXD 8.2PF +-25PF 500VDC CER	28480	0160-2255
A53C56	0160-2266	4		CAPACITOR=FXD 24PF +-5% 500VDC CER 0+-30	28480	0160-2266

See introduction to this section for ordering information  
 \*Indicates factory selected value

**Table 9-3. Replaceable Parts (Cont'd)**

Reference Designation	HP Part Number	C D	Qty	Description	Mfr Code	Mfr Part Number
A53CR5	0122-0089	5		DIODE-VVC 29PF 10% C3/C25-MIN=5 BVR=30V	04713	MV109
A53J5	1251-5204	0	1	CONNECTOR 6-PIN F POST TYPE	28480	1251-5204
A53L24	9100-2247	4		COIL-MLD 100NH 10% Q=34 .095DX,25LG-NOM	28480	9100-2247
A53L25	9100-3807	4	1	COIL-MLD 110NH 5% Q=50 .155DX,375LG-NOM	28480	9100-3807
A53Q18	1853-0354	7		TRANSISTOR PNP SI TO-92 PD=350MW	28480	1853-0354
A53Q19	1854-0485	7		TRANSISTOR NPN SI TO-104 PD=175MW	28480	1854-0485
A53Q20	1853-0354	7		TRANSISTOR PNP SI TO-92 PD=350MW	28480	1853-0354
A53R22	0683-2015	9		RESISTOR 200 5% .25W FC TC=-400/+600	01121	CB2015
A53R23	0683-2015	9		RESISTOR 200 5% .25W FC TC=-400/+600	01121	CB2015
A53R47	0683-1015	7		RESISTOR 100 5% .25W FC TC=-400/+500	01121	CB1015
A53R81	0683-1015	7		RESISTOR 100 5% .25W FC TC=-400/+500	01121	CB1015
A53R82	0683-4725	2		RESISTOR 4.7K 5% .25W FC TC=-400/+700	01121	CB4725
A53R83	0683-1535	6	1	RESISTOR 15K 5% .25W FC TC=-400/+800	19701	(CR-25) 1-4-5P-15K
A53R84	0683-4725	2		RESISTOR 4.7K 5% .25W FC TC=-400/+700	01121	CB4725
A53R85	0683-2415	3		RESISTOR 240 5% .25W FC TC=-400/+600	01121	CB2415
A53R86	0683-4725	2		RESISTOR 4.7K 5% .25W FC TC=-400/+700	01121	CB4725
A53R87	0683-4725	2		RESISTOR 4.7K 5% .25W FC TC=-400/+700	01121	CB4725
A53R88	0683-4725	2		RESISTOR 4.7K 5% .25W FC TC=-400/+700	01121	CB4725
A53R89	0683-5105	2		RESISTOR 51 5% .25W FC TC=-400/+500	01121	CB5105
A53R90	0683-4725	2		RESISTOR 4.7K 5% .25W FC TC=-400/+700	01121	CB4725
A53R91	0683-4725	2		RESISTOR 4.7K 5% .25W FC TC=-400/+700	01121	CB4725
A53R92	0683-4725	2		RESISTOR 4.7K 5% .25W FC TC=-400/+700	01121	CB4725
A53R93	0683-5105	4		RESISTOR 51 5% .25W FC TC=-400/+500	01121	CB5105
A61	03585-66561	4	1	CLOCK ASSEMBLY	28480	03585-66561
A61C1	0160-3847	9		CAPACITOR-FXD .01UF +100-0% 50VDC CER	28480	0160-3847
A61C2	0160-3847	9		CAPACITOR-FXD .01UF +100-0% 50VDC CER	28480	0160-3847
A61C3	0160-3847	9		CAPACITOR-FXD .01UF +100-0% 50VDC CER	28480	0160-3847
A61C4	0140-0198	5		CAPACITOR-FXD 200PF +-5% 300VDC MICA	72136	DM15F201J0300MV1CR
A61C5	0160-3847	9		CAPACITOR-FXD .01UF +100-0% 50VDC CER	28480	0160-3847
A61C6	0160-0168	1	2	CAPACITOR-FXD .1UF +-10% 200VDC POLYE	28480	0160-0168
A61C7	0160-3847	9		CAPACITOR-FXD .01UF +100-0% 50VDC CER	28480	0160-3847
A61C8	0180-0197	8		CAPACITOR-FXD 2.2UF+-10% 20VDC TA	56289	150D225X9020A2
A61C9	0140-0202	2	1	CAPACITOR-FXD 15PF +-5% 500VDC MICA	72136	DM15C150J0500MV1CR
A61C10	0160-3847	9		CAPACITOR-FXD .01UF +100-0% 50VDC CER	28480	0160-3847
A61C11	0160-3847	9		CAPACITOR-FXD .01UF +100-0% 50VDC CER	28480	0160-3847
A61C12	0140-0198	5		CAPACITOR-FXD 200PF +-5% 300VDC MICA	72136	DM15F201J0300MV1CR
A61C13	0160-0168	1		CAPACITOR-FXD .1UF +-10% 200VDC POLYE	28480	0160-0168
A61C14	0160-3847	9		CAPACITOR-FXD .01UF +100-0% 50VDC CER	28480	0160-3847
A61C15	0160-3847	9		CAPACITOR-FXD .01UF +100-0% 50VDC CER	28480	0160-3847
A61C16	0160-2199	2		CAPACITOR-FXD 30PF +-5% 300VDC MICA	28480	0160-2199
A61C17	0160-3847	9		CAPACITOR-FXD .01UF +100-0% 50VDC CER	28480	0160-3847
A61C18	0180-2614	8	2	CAPACITOR-FXD 100UF+-10% 30VDC TA	56289	150D107X903082
A61C19	0180-2614	8		CAPACITOR-FXD 100UF+-10% 30VDC TA	56289	150D107X903082
A61C20	0180-0094	4	1	CAPACITOR-FXD 100UF+75-10% 25VDC AL	56289	30D107G025D02
A61C21	0160-3847	9		CAPACITOR-FXD .01UF +100-0% 50VDC CER	28480	0160-3847
A61C22	0160-3847	9		CAPACITOR-FXD .01UF +100-0% 50VDC CER	28480	0160-3847
A61C23	0160-3847	9		CAPACITOR-FXD .01UF +100-0% 50VDC CER	28480	0160-3847
A61CR1	1902-0041	4	2	DIODE-ZNR 5.11V 5% DO-7 PD=.4W TC=-.009%	28480	1902-0041
A61J1	1250-1368	7		CONNECTOR-RF SMB M PC 50-OHM	28480	1250-1368
A61L1	9100-1629	4	1	COIL-MLD 47UH 5% Q=55 .155DX,375LG-NOM	28480	9100-1629
A61L4	9100-1638	5	2	COIL-MLD 130UH 5% Q=65 .155DX,375LG-NOM	28480	9100-1638
A61L5	9100-1638	5		COIL-MLD 130UH 5% Q=65 .155DX,375LG-NOM	28480	9100-1638
A61L6	9100-1622	7		COIL-MLD 24UH 5% Q=60 .155DX,375LG-NOM	28480	9100-1622
A61Q1	1853-0010	2		TRANSISTOR PNP SI TO-18 PD=360MW	28480	1853-0010
A61Q2	1853-0010	2		TRANSISTOR PNP SI TO-18 PD=360MW	28480	1853-0010
A61R1	0683-2715	6		RESISTOR 270 5% .25W FC TC=-400/+600	01121	CB2715
A61R2	0683-2225	3		RESISTOR 2.2K 5% .25W FC TC=-400/+700	01121	CB2225
A61R3	0683-4705	8		RESISTOR 47 5% .25W FC TC=-400/+500	01121	CB4705
A61R4	0683-4705	8		RESISTOR 47 5% .25W FC TC=-400/+500	01121	CB4705
A61R5	0683-3325	6		RESISTOR 3.3K 5% .25W FC TC=-400/+700	01121	CB3325
A61R6	0683-7515	4		RESISTOR 750 5% .25W FC TC=-400/+600	01121	CB7515
A61R7	0683-1025	9		RESISTOR 1K 5% .25W FC TC=-400/+600	01121	CB1025
A61R8	0683-1025	9		RESISTOR 1K 5% .25W FC TC=-400/+600	01121	CB1025
A61R9	0698-4509	1	2	RESISTOR 80.6K 1% .125W F TC=0+-100	24546	C4=1/8-T0=8062-F
A61R10	0698-4509	1		RESISTOR 80.6K 1% .125W F TC=0+-100	24546	C4=1/8-T0=8062-F

See introduction to this section for ordering information  
 \*Indicates factory selected value

Table 9-3. Replaceable Parts (Cont'd)

Reference Designation	HP Part Number	C D	Qty	Description	Mfr Code	Mfr Part Number
A61R11	0698-3499	6	2	RESISTOR 40.2K 1% .125W F TC=0+-100	24546	C4-1/8-T0=4022-F
A61R12	0757-0424	7		RESISTOR 1.1K 1% .125W F TC=0+-100	24546	C4-1/8-T0=1101-F
A61R13	0683-2025	1		RESISTOR 2K 5% .25W FC TC=400/+700	01121	CB2025
A61R14	0683-3025	3		RESISTOR 3K 5% .25W FC TC=400/+700	01121	CB3025
A61R15	0686-2015	5		RESISTOR 200 5% .5W CC TC=0+529	01121	EB2015
A61R16	0683-1025	9	2	RESISTOR 1K 5% .25W FC TC=400/+600	01121	CB1025
A61R17	0683-1025	9		RESISTOR 1K 5% .25W FC TC=400/+600	01121	CB1025
A61R18	0698-4505	7		RESISTOR 71.5K 1% .125W F TC=0+-100	24546	C4-1/8-T0=7152-F
A61R19	0698-4505	7		RESISTOR 71.5K 1% .125W F TC=0+-100	24546	C4-1/8-T0=7152-F
A61R20	0698-4494	3		RESISTOR 35.7K 1% .125W F TC=0+-100	24546	C4-1/8-T0=3572-F
A61R21	0757-0424	7	1	RESISTOR 1.1K 1% .125W F TC=0+-100	24546	C4-1/8-T0=1101-F
A61R22	0683-2025	1		RESISTOR 2K 5% .25W FC TC=400/+700	01121	CB2025
A61R23	0683-3025	3		RESISTOR 3K 5% .25W FC TC=400/+700	01121	CB3025
A61R24	0683-1025	9		RESISTOR 1K 5% .25W FC TC=400/+600	01121	CB1025
A61R25	0683-1025	9		RESISTOR 1K 5% .25W FC TC=400/+600	01121	CB1025
A61TP1-7	0360-0124			CONNECTOR-SGL CONT PIN .04-IN-BSC-SZ RND	28480	0360-0124
A61U1	1820-1197	9	1	IC GATE TTL LS NAND QUAD 2-INP	01295	SN74LS00N
A61U2	1820-1277	6		IC CNTR TTL LS DECD UP/DOWN SYNCHRO	01295	SN74LS192N
A61U3	1820-0630	3		IC MISC TTL	04713	MC4044P
A61U4	1820-1420	1		IC CNTR TTL LS DIV-X=12 ASYNCHRO	01295	SN74LS92N
A61U5	1826-0043	4		OP AMP GP T0=99	0192B	CA307T
A61U6	1820-0567	5	2	IC MV TTL DUAL	04713	MC4024P
A61U7	1820-0630	3		IC MISC TTL	04713	MC4044P
A61U8	1820-1194	6		IC CNTR TTL LS BIN UP/DOWN SYNCHRO	01295	CN74LS193N
A61U9	1820-1201	6		IC GATE TTL LS AND QUAD 2-INP	01295	SN74LS08N
A61U10	1820-1198	0		IC GATE TTL LS NAND QUAD 2-INP	01295	SN74LS03N
A61U11	1820-1198	0	5	IC GATE TTL LS NAND QUAD 2-INP	01295	SN74LS03N
A61U12	1826-0043	4		OP AMP GP T0=99	0192B	CA307T
A61U13	1820-0567	5		IC MV TTL DUAL	04713	MC4024P
A61 MISCELLANEOUS PARTS						
	4040-0749	4	2	EXTR-PC BD BRN POLYC .062-BD=THKNS	28480	03585-26561
	4040-0754	1		EXTR-PC BD BLU POLYC .062-BD=THKNS	28480	4040-0749
	1480-0116			PIN-GRV .062-IN-DIA .25-IN-LG STL	28480	4040-0754 1480-0116
A62	03585-66562	5	1	X-Y PLOTTER ANALYZER	28480	03585-66562
A62C1	0180-0097	7	7	CAPACITOR-FXD 47UF+-10% 35VDC TA	56289	150D476X903582
A62C2	0180-0097	7		CAPACITOR-FXD 47UF+-10% 35VDC TA	56289	150D476X903582
A62C3	0180-0097	7		CAPACITOR-FXD 47UF+-10% 35VDC TA	56289	150D476X903582
A62C4	0160-0164	7		CAPACITOR-FXD .039UF +-10% 200VDC POLYE	28480	0160-0164
A62C5	0160-0161	4		CAPACITOR-FXD .01UF +-10% 200VDC POLYE	28480	0160-0161
A62C6	0160-0165	8	8	CAPACITOR-FXD .056UF +-10% 200VDC POLYE	28480	0160-0165
A62C7	0160-3847	1		CAPACITOR-FXD .01UF 50V	28480	0160-3847
A62C8	0160-3847	1		CAPACITOR-FXD .01UF 50V	28480	0160-3847
A62C9	0160-3847	1		CAPACITOR-FXD .01UF 50V	28480	0160-3847
A62C10	0160-3847	1		CAPACITOR-FXD .01UF 50V	28480	0160-3847
A62C11	0160-3847	1	1	CAPACITOR-FXD .01UF 50V	28480	0160-3847
A62C12	0160-3847	1		CAPACITOR-FXD .01UF 50V	28480	0160-3847
A62C13	0160-3847	1		CAPACITOR-FXD .01UF 50V	28480	0160-3847
A62C14	0160-3847	1		CAPACITOR-FXD .01UF 50V	28480	0160-3847
A62C15	0180-0291	3		CAPACITOR-FXD 1UF+-10% 35VDC TA	56289	150D105X9035A2
A62CR1	1902-1329	3	3	DIODE-ZNR 6.6V	28480	1902-1329
A62CR2	1901-0050	3		DIODE-SWITCHING 80V 200MA 2NS DO-35	28480	1901-0050
A62CR3	1901-0050	3		DIODE-SWITCHING 80V 200MA 2NS DO-35	28480	1901-0050
A62CR4	1901-0050	3		DIODE-SWITCHING 80V 200MA 2NS DO-35	28480	1901-0050
A62CR5	1901-0050	3		DIODE-SWITCHING 80V 200MA 2NS DO-35	28480	1901-0050
A62CR6	1901-0518	8	1	DIODE-8CMOTTKY	28480	1901-0518
A62CR7	1901-0518	8		DIODE-8CMOTTKY	28480	1901-0518
A62CR8	1902-3104	6		DIODE-ZNR 5.62V 5% DO-7 PD=.4W TC=+.016X	28480	1902-3104
A62CR9	1901-0518	8		DIODE-8CMOTTKY	28480	1901-0518
A62F1	2110-0384	0		5	FUSE .062A 125V FAST-BLO .281X.093	28480
A62F2	2110-0384	0	FUSE .062A 125V FAST-BLO .281X.093		28480	2110-0384
A62J1	1251-4795	2	2	CONNECTOR 2-PIN M POST TYPE	28480	1251-4795
A62J2	1251-4795	2		CONNECTOR 2-PIN M POST TYPE	28480	1251-4795
A62L1	9100-1622	7	1	COIL-MLD 24UH 5% Q=60 .155DX.375LG-NOM	28480	9100-1622
A62L2	9140-0210	1		COIL-MLD 100UH 5% Q=50 .155DX.375LG-NOM	28480	9140-0210
A62L3	9140-0210	1		COIL-MLD 100UH 5% Q=50 .155DX.375LG-NOM	28480	9140-0210
A62Q1	1854-0215	1	1	TRANSISTOR NPN SI PD=350MH FT=300MHZ	04713	2N3904
A62Q2	1854-0215	1		TRANSISTOR NPN SI PD=350MH FT=300MHZ	04713	2N3904
A62R1	0698-4473	8	2	RESISTOR 8.06K 1% .125W F TC=0+-100	24546	C4-1/8-T0=8061-F
A62R2	0757-0288	1		RESISTOR 9.09K 1% .125W F TC=0+-100	19701	MF4C1/8-T0=9091-F
A62R3	0698-3152	8		RESISTOR 3.48K 1% .125W F TC=0+-100	24546	C4-1/8-T0=3481-F
A62R4	2100-3273	1		RESISTOR-TRMR 2K 10% C SIDE=ADJ 1-TRN	28480	2100-3273
A62R5	0757-0465	6		RESISTOR 100K 1% .125W F TC=0+-100	24546	C4-1/8-T0=1003-F

See introduction to this section for ordering information  
\*Indicates factory selected value

Table 9-3. Replaceable Parts (Cont'd)

Reference Designation	HP Part Number	C D	Qty	Description	Mfr Code	Mfr Part Number
A62R6	0757-0465	6		RESISTOR 100K 1% .125W F TC=0+/-100	24546	C4-1/8-T0-1003-F
A62R7	0757-0465	6		RESISTOR 100K 1% .125W F TC=0+/-100	24546	C4-1/8-T0-1003-F
A62R8	0757-0476	9		RESISTOR 301K 1% .125W F TC=0+/-100	24546	C4-1/8-T0-3013-F
A62R9	0757-0280	3		RESISTOR 1K 1% .125W F TC=0+/-100	24546	C4-1/8-T0-1001-F
A62R10	0683-4725	2		RESISTOR 4.7K 5% .25W FC TC=400/+700	01121	CB4725
A62R11	0757-0280	3		RESISTOR 1K 1% .125W F TC=0+/-100	24546	C4-1/8-T0-1001-F
A62R12	0683-4725	2		RESISTOR 4.7K 5% .25W FC TC=400/+700	01121	CB4725
A62R13	0683-3325	6		RESISTOR 3.3K 5% .25W FC TC=400/+700	01121	CB3325
A62R14	0683-1025	9		RESISTOR 1K 5% .25W FC TC=400/+600	01121	CB1025
A62U1	1820-1195	7		IC FF TTL LS D-TYPE POS=EDGE-TRIG COM	01295	SN74LS175N
A62U2	1820-1196	8		IC FF TTL LS D-TYPE POS=EDGE-TRIG COM	01295	SN74LS174N
A62U3	1820-0356	0	2	IC RGTR RTL STOR 4-BIT	28480	1820-0356
A62U4	1820-1194	0		IC CNTR TTL LS BIN UP/DOWN SYNCHRO	01295	SN74LS193N
A62U5	1820-1194	6		IC CNTR TTL LS BIN UP/DOWN SYNCHRO	01295	SN74LS193N
A62U6	1820-1194	6		IC CNTR TTL LS BIN UP/DOWN SYNCHRO	01295	SN74LS193N
A62U7	1820-0356	0		IC RGTR RTL STOR 4-BIT	28480	1820-0356
A62U8	1826-0557	5		IC OP AMP GP QUAD 14-DIP-C PKG	34335	AM348D
A62U9	1820-1207	2		IC GATE TTL LS NAND 8-INP	01295	SN74LS30N
				A62 MISCELLANEOUS PARTS		
	0360-0124	3		CONNECTOR-SGL CONT PIN .04-IN=BSG-SZ RND	28480	0360-0124
	1480-0116	8		PIN=GRV .062-IN=DIA .25-IN=LG STL	28480	1480-0116
	4040-0750	7		EXTR-PC BD RED POLYC .062=BD=THKNS	28480	4040-0750
	4040-0754	1		EXTR-PC BD BLU POLYC .062=BD=THKNS	28480	4040-0754
A63	03585-66563	6	1	DISPLAY, LOGIC	28480	03585-66563
A63C1	0180-2338	3	1	CAPACITOR-FXD 650UF+/-20% 13VDC TA	06001	69F2330G7
A63C2	0180-0097	7		CAPACITOR-FXD 47UF+/-10% 35VDC TA	56289	150D476X903582
A63C3	0180-0097	7		CAPACITOR-FXD 47UF+/-10% 35VDC TA	56289	150D476X903582
A63C4	0160-3847	9		CAPACITOR-FXD .01UF +100-0% 50VDC CER	28480	0160-3847
A63C5	0160-3847	9		CAPACITOR-FXD .01UF +100-0% 50VDC CER	28480	0160-3847
A63C6	0160-2198	1	1	CAPACITOR-FXD 20PF +/-5% 300VDC MICA	28480	0160-2198
A63C7	0160-3809	3	1	CAPACITOR-FXD .39UF +/-5% 50VDC MET-POLYC	28480	0160-3809
A63C9	0160-3847	9		CAPACITOR-FXD .01UF +100-0% 50VDC CER	28480	0160-3847
A63C11	0140-0191	8		CAPACITOR-FXD 56PF +/-5% 300VDC MICA	72136	DM15E560J0300MV1CR
A63C20	0160-3847	9		CAPACITOR-FXD .01UF +100-0% 50VDC CER	28480	0160-3847
A63C21	0160-3847	9		CAPACITOR-FXD .01UF +100-0% 50VDC CER	28480	0160-3847
A63C23	0160-3847	9		CAPACITOR-FXD .01UF +100-0% 50VDC CER	28480	0160-3847
A63C24	0160-3847	9		CAPACITOR-FXD .01UF +100-0% 50VDC CER	28480	0160-3847
A63C25	0160-3847	9		CAPACITOR-FXD .01UF +100-0% 50VDC CER	28480	0160-3847
A63C26	0160-3847	9		CAPACITOR-FXD .01UF +100-0% 50VDC CER	28480	0160-3847
A63C27	0160-3847	9		CAPACITOR-FXD .01UF +100-0% 50VDC CER	28480	0160-3847
A63C28	0160-3847	9		CAPACITOR-FXD .01UF +100-0% 50VDC CER	28480	0160-3847
A63C29	0160-3847	9		CAPACITOR-FXD .01UF +100-0% 50VDC CER	28480	0160-3847
A63C31	0160-3847	9		CAPACITOR-FXD .01UF +100-0% 50VDC CER	28480	0160-3847
A63C32	0160-3847	9		CAPACITOR-FXD .01UF +100-0% 50VDC CER	28480	0160-3847
A63C33	0160-3847	9		CAPACITOR-FXD .01UF +100-0% 50VDC CER	28480	0160-3847
A63CR1	1901-0050	3		DIODE-SWITCHING 80V 200MA 2NS DO-35	28480	1901-0050
A63CR2	1902-0597	5	1	DIODE-ZNR 56.2V 5% DO-15 PD=1W TC=+081X	28480	1902-0597
A63CR3	1901-0050	3		DIODE-SWITCHING 80V 200MA 2NS DO-35	28480	1901-0050
A63CR4	1901-0050	3		DIODE-SWITCHING 80V 200MA 2NS DO-35	28480	1901-0050
A63CR5	1901-0050	3		DIODE-SWITCHING 80V 200MA 2NS DO-35	28480	1901-0050
A63F1	2110-0343	1	1	FUSE .25A 125V FAST-BLO .281X.093	28480	2110-0343
A63F2	2110-0384	0		FUSE .062A 125V FAST-BLO .281X.093	28480	2110-0384
A63J1	1251-4047	7		CONNECTOR 3-PIN M POST TYPE	28480	1251-4047
A63J1	1258-0141	8		JUMPER REMOVABLE	28480	1258-0141
A63J3	1251-4047	7		CONNECTOR 3-PIN M POST TYPE	28480	1251-4047
A63J3	1258-0141	8		JUMPER REMOVABLE	28480	1258-0141
A63J4	1251-4795	2		CONNECTOR 2-PIN M POST TYPE	28480	1251-4795
A63J5	1251-4795	2		CONNECTOR 2-PIN M POST TYPE	28480	1251-4795
A63J6	1251-4795	2		CONNECTOR 2-PIN M POST TYPE	28480	1251-4795
A63L1	9100-3560	6		COIL-MLD 5.6UH 5% Q=45 .155DX.375LG-NOM	28480	9100-3560
A63L2	9100-3560	6		COIL-MLD 5.6UH 5% Q=45 .155DX.375LG-NOM	28480	9100-3560
A63L3	9100-3458	1		CMOKE, WIDE BAND	28480	9100-3458
A63Q1	1853-0036	2		TRANSISTOR PNP SI PD=310MW FT=250MHZ	28480	1853-0036
A63Q2	1854-0215	1		TRANSISTOR NPN SI PD=350MW FT=300MHZ	04713	2N3904
A63Q3	1854-0263	9	1	TRANSISTOR NPN 2N3019 SI TO-39 PD=800MW	04713	2N3019
A63Q4	1854-0215	1		TRANSISTOR NPN SI PD=350MW FT=300MHZ	04713	2N3904
A63R1	1810-0307	2		NETWORK-CNDCT MODULE DIP; 16 PINS; 0.100	28480	1810-0307
A63R2	0683-4725	0		RESISTOR 4.7K 5% .25W FC TC=400/+700	01121	CB4725
A63R3	0757-0439	4		RESISTOR 6.81K 1% .125W F TC=0+/-100	91637	CMF-55-1,T-1
A63R4	11153-01301	9		WIREFORM .200	28480	11153-01301
A63R5	0698-0085	0		RESISTOR 2.61K 1% .125W F TC=0+/-100	91637	CMF-55-1,T-1

See introduction to this section for ordering information  
 \*Indicates factory selected value



**Table 9-3. Replaceable Parts (Cont'd)**

Reference Designation	HP Part Number	C D	Qty	Description	Mfr Code	Mfr Part Number
A63R6	0683-4725	2		RESISTOR 4.7K 5% .25W FC TC=-400/+700	01121	CB4725
A63R7	0683-4705	8		RESISTOR 47 5% .25W FC TC=-400/+500	01121	CB4705
A63R8	0683-47515	4		RESISTOR 750 5% .25W FC TC=-400/+600	01121	CB7515
A63R9	0683-4725	2		RESISTOR 4.7K 5% .25W FC TC=-400/+700	01121	CB4725
A63R10	0683-4715	0		RESISTOR 470 5% .25W FC TC=-400/+600	01121	CB4715
A63R12	1810-0326	3	1	NETWORK-RES 10-PIN-SIP .1-PIN-SPCG	28480	1810-0326
A63R14	0683-1035	1		RESISTOR 10K 5% .25W FC TC=-400/+700	01121	CB1035
A63R15	0683-4725	2		RESISTOR 4.7K 5% .25W FC TC=-400/+700	01121	CB4725
A63R16	2100-3353	8		RESISTOR-TRMR 20K 10% C SIDE-ADJ 1-TRN	32997	3386X-Y46-203
A63R17	0698-3265	4	1	RESISTOR 118K 1% .125W F TC=0/+100	24546	C4-1/B-T0-1183-F
A63R18	0683-1035	1		RESISTOR 10K 5% .25W FC TC=-400/+700	01121	CB1035
A63R19	0683-4715	0		RESISTOR 470 5% .25W FC TC=-400/+600	01121	CB4715
A63R20	0683-4725	2		RESISTOR 4.7K 5% .25W FC TC=-400/+700	01121	CB4725
A63R21	0683-1025	9		RESISTOR 1K 5% .25W FC TC=-400/+600	01121	CB1025
A63R22	0683-2025	1		RESISTOR 2K 5% .25W FC TC=-400/+700	01121	CB2025
A63R23	0683-6225	1		RESISTOR 6.2K 5% .25W FC TC=-400/+700	01121	CB6225
A63RP11	1810-0279	5	2	NETWORK-RES 10-PIN-SIP .1-PIN-SPCG	01121	210A472
A63RP13	1810-0279	5		NETWORK-RES 10-PIN-SIP .1-PIN-SPCG	01121	210A472
A63XR1	1200-0473	8		SOCKET-IC 16-CONT DIP DIP-SLDR	28480	1200-0473
A63XU21	1200-0659	2		SOCKET-IC 40-CONT DIP-SLDR	28480	1200-0659
A63TP1-10	0360-0124	3		CONNECTOR-SGL CONT PIN .04-IN-BSC-SZ RND	28480	0360-0124
A63U11	1816-1192	5	1	IC TTL 8192-BIT ROM 80-NS 3-8	18324	N828181F PROGRAMMED
A63U13	1820-1491	6		IC BFR TTL LS NON-INV HEX 1-INP	01295	SN74LS367AN
A63U14	1820-1195	7		IC FF TTL LS D-TYPE POS-EDGE-TRIG COM	01295	SN74LS175N
A63U15	1820-1202	7	1	IC GATE TTL LS NAND TPL 3-INP	01295	SN74LS10N
A63U16	1820-1212	9		IC FF TTL LS J-K NEG-EDGE-TRIG	01295	SN74LS112N
A63U17	1820-1423	4	1	IC MV TTL LS MONOSTBL RETRIG DUAL	01295	SN74LS123N
A63U18	1820-1112	8		IC FF TTL LS D-TYPE POS-EDGE-TRIG	01295	SN74LS74N
A63U19	1820-1112	8		IC FF TTL LS D-TYPE POS-EDGE-TRIG	01295	SN74LS74N
A63U21	1820-1692	9	1	IC MICPROC MOS	28480	1820-1692
A63U24	1820-1759	9	2	IC BFR TTL LS NON-INV OCTL	27014	DM81LS97N
A63U25	1820-1144	6		IC GATE TTL LS NOR QUAD 2-INP	01295	SN74LS02N
A63U26	1820-1197	9		IC GATE TTL LS NAND QUAD 2-INP	01295	SN74LS00N
A63U27	1820-1194	6		IC CNTR TTL LS BIN UP/DOWN SYNCHRO	01295	SN74LS193N
A63U28	1816-0531	8	1	IC NMOS ROM 450-NS 3-8	18324	2607F MASKED
A63U33	1820-1794	2	1	IC BFR TTL LS NON-INV OCTL	27014	DM81LS95N
A63U34	1820-1759	9		IC BFR TTL LS NON-INV OCTL	27014	DM81LS97N
A63U35	1820-1216	3		IC CCDR TTL LS 3-TO-8-LINE 3-INP	01295	SN74LS138N
A63U36	1816-1183	4	1	IC TTL 1K ROM 50-NS 3-8	07263	93427PC PROGRAMMED
A63U37	1820-1194	6		IC CNTR TTL LS BIN UP/DOWN SYNCHRO	01295	SN74LS193N
A63U38	1820-1194	6		IC CNTR TTL LS BIN UP/DOWN SYNCHRO	01295	SN74LS193N
A63U41	1820-1730	6		IC FF TTL LS D-TYPE POS-EDGE-TRIG COM	01295	SN74LS273N
A63U42	1820-1730	6		IC FF TTL LS D-TYPE POS-EDGE-TRIG COM	01295	SN74LS273N
A63U43	1820-1444	9	2	IC MUXR/DATA-SEL TTL LS 2-TO-1-LINE QUAD	01295	SN74LS298N
A63U44	1820-1444	9		IC MUXR/DATA-SEL TTL LS 2-TO-1-LINE QUAD	01295	SN74LS298N
A63U45	1820-1730	6		IC FF TTL LS D-TYPE POS-EDGE-TRIG COM	01295	SN74LS273N
A63U46	1820-1470	1	1	IC MUXR/DATA-SEL TTL LS 2-TO-1-LINE QUAD	01295	SN74LS157N
A63U47	1820-1730	6		IC FF TTL LS D-TYPE POS-EDGE-TRIG COM	01295	SN74LS273N
A63U48	1820-1730	6		IC FF TTL LS D-TYPE POS-EDGE-TRIG COM	01295	SN74LS273N
A63 MISCELLANEOUS PARTS						
	1480-0116	8		PIN-GRV .062-IN-DIA .25-IN-LG STL	28480	1480-0116
	0380-0938	8		INSULATOR-FLG-BSMG TFE	28480	0380-0938
	4040-0751	9		EXTR-PC BD DRN POLYC .062-BD-TMKNS	28480	4040-0751
	4040-0754	1		EXTR-PC BD BLU POLYC .062-BD-TMKNS	28480	4040-0754
A64	03585-66564	7	1	ANALOG DISPLAY	28480	03585-66564
A64C1	0160-3847	9		CAPACITOR-FXD .01UF +100-0% 50VDC CER	28480	0160-3847
A64C2	0160-3847	9		CAPACITOR-FXD .01UF +100-0% 50VDC CER	28480	0160-3847
A64C3	0160-3847	9		CAPACITOR-FXD .01UF +100-0% 50VDC CER	28480	0160-3847
A64C4	0160-2257	3		CAPACITOR-FXD 10PF +-5% 500VDC CER 0+-60	28480	0160-2257
A64C5	0160-3847	9		CAPACITOR-FXD .01UF +100-0% 50VDC CER	28480	0160-3847
A64C6	0160-3847	9		CAPACITOR-FXD .01UF +100-0% 50VDC CER	28480	0160-3847
A64C7	0140-0190	7		CAPACITOR-FXD 39PF +-5% 300VDC MICA	72136	DM15E390J0300HV1CR
A64C8	0140-0190	7		CAPACITOR-FXD 39PF +-5% 300VDC MICA	72136	DM15E390J0300HV1CR
A64C9	0160-3847	9		CAPACITOR-FXD .01UF +100-0% 50VDC CER	28480	0160-3847
A64C10	0160-3847	9		CAPACITOR-FXD .01UF +100-0% 50VDC CER	28480	0160-3847
A64C11	0140-0190	7		CAPACITOR-FXD 39PF +-5% 300VDC MICA	72136	DM15E390J0300HV1CR
A64C12	0160-4265	7	1	CAPACITOR-FXD .47UF +-20% 50VDC	84411	HEW 386
A64C15	0160-3847	9		CAPACITOR-FXD .01UF +100-0% 50VDC CER	28480	0160-3847
A64C16	0160-3847	9		CAPACITOR-FXD .01UF +100-0% 50VDC CER	28480	0160-3847
A64C17	0180-1846	6		CAPACITOR-FXD 2.2UF+-10% 35VDC TA	56289	150D225X903582

See introduction to this section for ordering information  
 \*Indicates factory selected value

**Table 9-3. Replaceable Parts (Cont'd)**

Reference Designation	HP Part Number	C D	Qty	Description	Mfr Code	Mfr Part Number
A64C18	0180-1846	6		CAPACITOR-FXD 2.2UF+/-10% 35VDC TA	56289	150D225X9035B2
A64C19	0160-3847	9		CAPACITOR-FXD .01UF +100-0% 50VDC CER	28480	0160-3847
A64C20	0160-3847	9		CAPACITOR-FXD .01UF +100-0% 50VDC CER	28480	0160-3847
A64C21	0160-3847	9		CAPACITOR-FXD .01UF +100-0% 50VDC CER	28480	0160-3847
A64C22	0160-2249	3		CAPACITOR-FXD 4.7PF +/-25PF 500VDC CER	28480	0160-2249
A64C23	0121-0493	3	1	CAPACITOR-V TRMR-AIR 1.7-11PF 250V	74970	187-0306-105
A64C24	0160-4438	6	1	CAPACITOR-FXD 470PF +/-2.5% 160VDC POLYP	28480	0160-4438
A64C25	0160-4682	2	1	CAPACITOR-FXD 1000PF +/-2.5% 160VDC POLYP	28480	0160-4682
A64C26	0160-3847	9		CAPACITOR-FXD .01UF +100-0% 50VDC CER	28480	0160-3847
A64C27	0160-3847	9		CAPACITOR-FXD .01UF +100-0% 50VDC CER	28480	0160-3847
A64C28	0160-3847	9		CAPACITOR-FXD .01UF +100-0% 50VDC CER	28480	0160-3847
A64C29	0160-3847	9		CAPACITOR-FXD .01UF +100-0% 50VDC CER	28480	0160-3847
A64C31	0160-3847	9		CAPACITOR-FXD .01UF +100-0% 50VDC CER	28480	0160-3847
A64C33	0160-3847	9		CAPACITOR-FXD .01UF +100-0% 50VDC CER	16299	CAC02XR103M050A
A64C34	0180-0291	9		CAPACITOR-FXD 1UF+/-10% 35VDC TA	28480	0160-3847
A64C35	0180-0291	3		CAPACITOR-FXD 1UF+/-10% 35VDC TA	56289	150D105X9035A2
A64C36	0180-2249	5	1	CAPACITOR-FXD 47UF+/-10% 20VDC TA	56289	150D476X9020R2
A64C37	0180-2205	3	2	CAPACITOR-FXD .33UF+/-10% 35VDC TA	56289	150D334X9035A2
A64C38	0180-0097	7		CAPACITOR-FXD 47UF+/-10% 35VDC TA	56289	150D476X9035E2
A64C40	0180-2205	3		CAPACITOR-FXD .33UF+/-10% 35VDC TA	56289	150D334X9035A2
A64C41	0180-0097	7		CAPACITOR-FXD 47UF+/-10% 35VDC TA	56289	150D476X9035E2
A64C42	0180-0197	8		CAPACITOR-FXD 2.2UF+/-10% 20VDC TA	56289	150D225X9020A2
A64C43	0180-0291	3		CAPACITOR-FXD 1UF+/-10% 35VDC TA	56289	150D105X9035A2
A64C44	0180-0291	3		CAPACITOR-FXD 1UF+/-10% 35VDC TA	56289	150D105X9035A2
A64C46	0160-3847	9		CAPACITOR-FXD .01UF +100-0% 50VDC CER	28480	0160-3847
A64C47	0160-3847	9		CAPACITOR-FXD .01UF +100-0% 50VDC CER	28480	0160-3847
A64C50	0160-3847	9		CAPACITOR-FXD .01UF +100-0% 50VDC CER	28480	0160-3847
A64C51	0160-3847	9		CAPACITOR-FXD .01UF +100-0% 50VDC CER	28480	0160-3847
A64C52	0160-3847	9		CAPACITOR-FXD .01UF +100-0% 50VDC CER	28480	0160-3847
A64C53	0160-3847	9		CAPACITOR-FXD .01UF +100-0% 50VDC CER	28480	0160-3847
A64C54	0160-3847	9		CAPACITOR-FXD .01UF +100-0% 50VDC CER	28480	0160-3847
A64C55	0160-3847	9		CAPACITOR-FXD .01UF +100-0% 50VDC CER	28480	0160-3847
A64C61	0160-3847	9		CAPACITOR-FXD .01UF +100-0% 50VDC CER	28480	0160-3847
A64C63	0160-3847	9		CAPACITOR-FXD .01UF +100-0% 50VDC CER	28480	0160-3847
A64C64	0160-3847	9		CAPACITOR-FXD .01UF +100-0% 50VDC CER	28480	0160-3847
A64C65	0160-3847	9		CAPACITOR-FXD .01UF +100-0% 50VDC CER	28480	0160-3847
A64C66	0160-3847	9		CAPACITOR-FXD .01UF +100-0% 50VDC CER	28480	0160-3847
A64C67	0160-3847	9		CAPACITOR-FXD .01UF +100-0% 50VDC CER	28480	0160-3847
A64CR3	1902-0041	4		DIODE-ZNR 5.11V 5% DO-7 PD=.4W TC=-.009%	28480	1902-0041
A64CR4	1902-3002	3		DIODE-ZNR 2.37V 5% DO-7 PD=.4W TC=-.074%	28480	1902-3002
A64CR5	1902-3002	3		DIODE-ZNR 2.37V 5% DO-7 PD=.4W TC=-.074%	28480	1902-3002
A64CR6	1902-3002	3		DIODE-ZNR 2.37V 5% DO-7 PD=.4W TC=-.074%	28480	1902-3002
A64CR7	1902-3002	3		DIODE-ZNR 2.37V 5% DO-7 PD=.4W TC=-.074%	28480	1902-3002
A64CR12	1902-1329	3		DIODE-ZNR 6.6V	28480	1902-1329
A64CR13	1901-0050	3		DIODE-SWITCHING 80V 200MA 2NS DO-35	28480	1901-0050
A64CR14	1901-0050	3		DIODE-SWITCHING 80V 200MA 2NS DO-35	28480	1901-0050
A64F1	2110-0384	0		FUSE .062A 125V FAST-BLD .281X.093	28480	2110-0384
A64F2	2110-0384	0		FUSE .062A 125V FAST-BLD .281X.093	28480	2110-0384
A64J1	1251-4047	7		CONNECTOR 3-PIN M POST TYPE	28480	1251-4047
A64J1	1258-0141	8		JUMPER REMOVABLE	28480	1258-0141
A64J2	1251-4047	7		CONNECTOR 3-PIN M POST TYPE	28480	1251-4047
A64J2	1258-0141	8		JUMPER REMOVABLE	28480	1258-0141
A64J3	1251-4047	7		CONNECTOR 3-PIN M POST TYPE	28480	1251-4047
A64J3	1258-0141	8		JUMPER REMOVABLE	28480	1258-0141
A64J5	1251-4795	2		CONNECTOR 2-PIN M POST TYPE	28480	1251-4795
A64J6	1251-4795	2		CONNECTOR 2-PIN M POST TYPE	28480	1251-4795
A64J7	1251-4795	2		CONNECTOR 2-PIN M POST TYPE	28480	1251-4795
A64J8	1251-4795	2		CONNECTOR 2-PIN M POST TYPE	28480	1251-4795
A64L1	9100-3561	7	3	COIL-MLD 6.2UH 5% Q=45 .155DX.375LG-NOM	28480	9100-3561
A64L3	9100-3561	7		COIL-MLD 6.2UH 5% Q=45 .155DX.375LG-NOM	28480	9100-3561
A64L4	9100-3561	7		COIL-MLD 6.2UH 5% Q=45 .155DX.375LG-NOM	28480	9100-3561
A64Q1	1853-0036	2		TRANSISTOR PNP SI PD=310MW FT=250MHZ	28480	1853-0036
A64Q2	1854-0215	1		TRANSISTOR NPN SI PD=350MW FT=300MHZ	04713	2N3904
A64Q3	1853-0036	2		TRANSISTOR PNP SI PD=310MW FT=250MHZ	28480	1853-0036
A64Q4	1854-0215	1		TRANSISTOR NPN SI PD=350MW FT=300MHZ	04713	2N3904
A64Q5	1854-0515	4	1	TRANSISTOR-DUAL NPN TO-77 PD=600MW	28480	1854-0515
A64Q6	1853-0036	2		TRANSISTOR PNP SI PD=310MW FT=250MHZ	28480	1853-0036
A64Q7	1853-0036	2		TRANSISTOR PNP SI PD=310MW FT=250MHZ	28480	1853-0036
A64Q8	1854-0215	1		TRANSISTOR NPN SI PD=350MW FT=300MHZ	04713	2N3904
A64Q9	1854-0215	1		TRANSISTOR NPN SI PD=350MW FT=300MHZ	04713	2N3904
A64Q10	1853-0083	9	1	TRANSISTOR-DUAL PNP PD=600MW	28480	1853-0083
A64Q11	1855-0269	7	1	TRANSISTOR MOSFET N-CHAN E-MODE SI	18324	5D214
A64Q14	1854-0475	5	3	TRANSISTOR-DUAL NPN PD=750MW	28480	1854-0475

See introduction to this section for ordering information  
 \*Indicates factory selected value

Table 9-3. Replaceable Parts (Cont'd)

Reference Designation	HP Part Number	C D	Qty	Description	Mfr Code	Mfr Part Number
A64R1	2100-3352	7	1	RESISTOR-TRMR 1K 10% C SIDE-ADJ 1-TRN	28480	2100-3352
A64R2	0699-0165	9	1	RESISTOR 5K 1% .125W F TC=0-50	28480	0699-0165
A64R3	0698-4435	2		RESISTOR 2.49K 1% .125W F TC=0+-100	24546	C4-1/8-T0-2491-F
A64R4	0698-3223	4	1	RESISTOR 1.24K 1% .125W F TC=0+-100	24546	C4-1/8-T0-1241-F
A64R5	0698-4435	2		RESISTOR 2.49K 1% .125W F TC=0+-100	24546	C4-1/8-T0-2491-F
A64R6	0683-4725	2		RESISTOR 4.7K 5% .25W FC TC=-400/+700	01121	CB4725
A64R7	0698-4435	2		RESISTOR 2.49K 1% .125W F TC=0+-100	24546	C4-1/8-T0-2491-F
A64R8	0757-0430	5		RESISTOR 2.21K 1% .125W F TC=0+-100	24546	C4-1/8-T0-2211-F
A64R9	0757-0280	3		RESISTOR 1K 1% .125W F TC=0+-100	24546	C4-1/8-T0-1001-F
A64R10	0698-4367	9	1	RESISTOR 20.5 1% .125W F TC=0+-100	03888	PME55-1/8-T0-20R5-F
A64R11	0757-0123	3	1	RESISTOR 34.8K 1% .125W F TC=0+-100	28480	0757-0123
A64R14	2100-3353	8		RESISTOR-TRMR 20K 10% C SIDE-ADJ 1-TRN	32997	3386X-Y46-203
A64R15	0698-4435	2		RESISTOR 2.49K 1% .125W F TC=0+-100	24546	C4-1/8-T0-2491-F
A64R16	2100-3273	1		RESISTOR-TRMR 2K 10% C SIDE-ADJ 1-TRN	28480	2100-3273
A64R17	0698-4435	2		RESISTOR 2.49K 1% .125W F TC=0+-100	24546	C4-1/8-T0-2491-F
A64R18	0698-4436	0	1	RESISTOR 32.4 1% .125W F TC=0+-100	24546	C4-1/8-T0-32R4-F
A64R19	0698-4468	1	3	RESISTOR 1.13K 1% .125W F TC=0+-100	24546	C4-1/8-T0-1131-F
A64R20	0698-4435	2		RESISTOR 2.49K 1% .125W F TC=0+-100	24546	C4-1/8-T0-2491-F
A64R22	0698-4435	2		RESISTOR 2.49K 1% .125W F TC=0+-100	24546	C4-1/8-T0-2491-F
A64R23	0698-3279	0		RESISTOR 4.99K 1% .125W F TC=0+-100	24546	C4-1/8-T0-4991-F
A64R25	0757-0442	9		RESISTOR 10K 1% .125W F TC=0+-100	24546	C4-1/8-T0-1002-F
A64R26	0757-0442	9		RESISTOR 10K 1% .125W F TC=0+-100	24546	C4-1/8-T0-1002-F
A64R27	0757-0280	3		RESISTOR 1K 1% .125W F TC=0+-100	24546	C4-1/8-T0-1001-F
A64R28	0757-0436	1	1	RESISTOR 4.32K 1% .125W F TC=0+-100	24546	C4-1/8-T0-4321-F
A64R29	0698-3258	5		RESISTOR 5.36K 1% .125W F TC=0+-100	24546	C4-1/8-T0-5361-F
A64R30	0683-3325	6		RESISTOR 3.3K 5% .25W FC TC=-400/+700	01121	CB3325
A64R31	0683-1525	4		RESISTOR 1.5K 5% .25W FC TC=-400/+700	01121	CB1525
A64R32	0698-0063	4	1	RESISTOR 5.23K 1% .125W F TC=0+-100	91637	CMF-1/8-T1-5231-F
A64R33	0683-1035	1		RESISTOR 10K 5% .25W FC TC=-400/+700	01121	CB1035
A64R34	0683-1035	1		RESISTOR 10K 5% .25W FC TC=-400/+700	01121	CB1035
A64R36	0683-2025	1		RESISTOR 2K 5% .25W FC TC=-400/+700	01121	CB2025
A64R37	0698-4471	6		RESISTOR 7.15K 1% .125W F TC=0+-100	24546	C4-1/8-T0-7151-F
A64R38	0698-3549	7	1	RESISTOR 2.49K 1% .125W F TC=0+-25	28480	0698-3549
A64R39	0698-6329	7	1	RESISTOR 845 1% .125W F TC=0+-25	28480	0698-6329
A64R40	0698-6317	3	4	RESISTOR 500 .1% .125W F TC=0+-25	03888	PME55-1/8-T9-500R-B
A64R41	0698-6317	3		RESISTOR 500 .1% .125W F TC=0+-25	03888	PME55-1/8-T9-500R-B
A64R42	0698-6317	3		RESISTOR 500 .1% .125W F TC=0+-25	03888	PME55-1/8-T9-500R-B
A64R43	0698-6317	3		RESISTOR 500 .1% .125W F TC=0+-25	03888	PME55-1/8-T9-500R-B
A64R44	0698-6340	2	1	RESISTOR 4K 1% .125W F TC=0+-25	28480	0698-6340
A64R45	0698-5552	6	1	RESISTOR 1K 1% .125W F TC=0+-25	28480	0698-5552
A64R46	0757-0465	6		RESISTOR 100K 1% .125W F TC=0+-100	24546	C4-1/8-T0-1003-F
A64R47	0757-0465	6		RESISTOR 100K 1% .125W F TC=0+-100	24546	C4-1/8-T0-1003-F
A64R48	2100-3354	9	3	RESISTOR-TRMR 50K 10% C SIDE-ADJ 1-TRN	28480	2100-3354
A64R49	0683-6825	7		RESISTOR 6.8K 5% .25W FC TC=-400/+700	01121	CB6825
A64R50	0698-4479	4	2	RESISTOR 14K 1% .125W F TC=0+-100	24546	C4-1/8-T0-1402-F
A64R51	0683-1525	4		RESISTOR 1.5K 5% .25W FC TC=-400/+700	01121	CB1525
A64R52	0698-4432	9		RESISTOR 2.1K 1% .125W F TC=0+-100	24546	C4-1/8-T0-2101-F
A64R53	0698-4432	9		RESISTOR 2.1K 1% .125W F TC=0+-100	91637	CMF-55-1,T-1
A64R54	0683-1015	7		RESISTOR 100 5% .25W FC TC=-400/+500	19701	(CR-25) 1-4-5P-100E
A64R55	0683-8225	5		RESISTOR 8.2K 5% .25W FC TC=-400/+700	19701	(CR-25) 1-4-5P-8K2
A64R56	0683-8225	5		RESISTOR 8.2K 5% .25W FC TC=-400/+700	19701	(CR-25) 1-4-5P-8K2
A64R57	0683-1125	0		RESISTOR 1.1K 5% .25W FC TC=-400/+700	01121	CB1125
A64R59	0683-4725	2		RESISTOR 4.7K 5% .25W FC TC=-400/+700	01121	CB4725
A64R60	0683-1035	1		RESISTOR 10K 5% .25W FC TC=-400/+700	01121	CB1035
A64R61	0698-0092	9	1	RESISTOR 2.61K 1% .125W F TC=0+-25	03888	PME55-1/8-T0-2611-F
A64R62	2100-3351	6		RESISTOR-TRMR 500 10% C SIDE-ADJ 1-TRN	28480	2100-3351
A64R63	0698-3151	7	1	RESISTOR 2.87K 1% .125W F TC=0+-100	24546	C4-1/8-T0-2871-F
A64R65	0683-1225	1		RESISTOR 1.2K 5% .25W FC TC=-400/+700	01121	CB1225
A64R66	0683-1045	3		RESISTOR 100K 5% .25W FC TC=-400/+800	01121	CB1045
A64R67	0683-4705	8		RESISTOR 47 5% .25W FC TC=-400/+500	01121	CB4705
A64R68	0683-1045	3		RESISTOR 100K 5% .25W FC TC=-400/+800	01121	CB1045
A64R69	0683-4705	8		RESISTOR 47 5% .25W FC TC=-400/+500	01121	CB4705
A64R70	0698-4121	3		RESISTOR 11.3K 1% .125W F TC=0+-100	24546	C4-1/8-T0-1132-F
A64R71	0698-4478	3	1	RESISTOR 10.7K 1% .125W F TC=0+-100	24546	C4-1/8-T0-1072-F
A64R72	2100-3207	1		RESISTOR-TRMR 5K 10% C SIDE-ADJ 1-TRN	28480	2100-3207
A64R73	0698-4492	1	1	RESISTOR 32.4K 1% .125W F TC=0+-100	24546	C4-1/8-T0-3242-F
A64R74	0698-4473	8		RESISTOR 8.06K 1% .125W F TC=0+-100	24546	C4-1/8-T0-8061-F
A64R75	0683-2025	1		RESISTOR 2K 5% .25W FC TC=-400/+700	01121	CB2025
A64R76	0683-2025	1		RESISTOR 2K 5% .25W FC TC=-400/+700	01121	CB2025
A64R79	0683-3015	1		RESISTOR 300 5% .25W FC TC=-400/+600	01121	CB3015
A64R80	0683-2025	1		RESISTOR 2K 5% .25W FC TC=-400/+700	01121	CB2025
A64R81	0698-0083	8	1	RESISTOR 1.96K 1% .125W F TC=0+-100	24546	C4-1/8-T0-1961-F
A64R82	0757-0283	6		RESISTOR 2K 1% .125W F TC=0+-100	24546	C4-1/8-T0-2001-F
A64R83	0683-0515	0	2	RESISTOR 5.1 5% .25W FC TC=-400/+500	01121	CB5165
A64R84	0683-0515	0		RESISTOR 5.1 5% .25W FC TC=-400/+500	01121	CB5165

See introduction to this section for ordering information  
\*Indicates factory selected value

**Table 9-3. Replaceable Parts (Cont'd)**

Reference Designation	HP Part Number	C	D	Qty	Description	Mfr Code	Mfr Part Number
A64R85	0683-3025	3			RESISTOR 3K 5% .25W FC TC=-400/+700	01121	CB3025
A64R86	0683-3025	3			RESISTOR 3K 5% .25W FC TC=-400/+700	01121	CB3025
A64R87	0683-4715	0			RESISTOR 470 5% .25W FC TC=-400/+600	01121	CB4715
A64R90	0683-1045	3			RESISTOR 100K 5% .25W FC TC=-400/+800	01121	CB1045
A64R91	0683-1045	3			RESISTOR 100K 5% .25W FC TC=-400/+800	01121	CB1045
A64R92	0683-1015	7			RESISTOR 100 5% .25W FC TC=-400/+500	01121	CB1015
A64TP1-11	0306-0124	3			CONNECTOR-SGL CONT PIN .04-IN-BSC-SZ RND	28480	0360-0124
A64U1	1826-0396	0		1	IC 7815 V RGLTR TO=220	07263	7815UC
A64U2	1826-0214	1		1	IC V RGLTR TO=220	04713	MC7915CT
A64U3	1826-0508	6		1	CONV 10-B-D/A 16-DIP-C	24355	AD561JD
A64U4	1826-0413+D	2		2	IC OP AMP LOW-BIAS-H-IMPD TO=99	28480	1826-0413+D
A64U5	1826-0188	8			CONV 8-B-D/A 16-DIP-C	04713	MC1408L-8
A64U6	1826-0340	4			OP AMP BIFET TO=99	28480	1826-0340
A64U7	1826-0188	8			CONV 8-B-D/A 16-DIP-C	04713	MC1408L-8
A64U8	1826-0188	8			CONV 8-B-D/A 16-DIP-C	04713	MC1408L-8
A64U9	1826-0043	4			OP AMP GP TO=99	01928	CA307T
A64U10	1826-0413+D	2			IC OP AMP LOW-BIAS-H-IMPD TO=99	28480	1826-0413+D
A64U11	1826-0374	4		1	SWITCH CUR 16-DIP-C	07263	9650-1DC
A64U12	1826-0340	4			OP AMP BIFET TO=99	28480	1826-0340
A64U13	1820-1546	2		1	MULTIPLXR ANLG DUAL 16-DIP-C	04713	MC140528CL
A64U14	1826-0340	4			OP AMP BIFET TO=99	28480	1826-0340
A64U15	1826-0340	4			OP AMP BIFET TO=99	28480	1826-0340
A64U16	1826-0340	4			OP AMP BIFET TO=99	28480	1826-0340
A64U17	1826-0846	5			IC SWITCH ANLG QUAD 16-DIP-C PKG	27014	LF1333D
A64U18	1826-0340	4			OP AMP BIFET TO=99	28480	1826-0340
A64U19	1826-0340	4			OP AMP BIFET TO=99	28480	1826-0340
A64U20	1826-0340	4			OP AMP BIFET TO=99	28480	1826-0340
A64U21	1826-0340	4			OP AMP BIFET TO=99	28480	1826-0340
A64U22	1820-1274	3		1	IC GATE TTL LS NAND DUAL 4-INP	01295	SN74LS22N
A64U23	1826-0043	4			OP AMP GP TO=99	01928	CA307T
A64U24	1826-0043	4			OP AMP GP TO=99	01928	CA307T
<b>A64 MISCELLANEOUS PARTS</b>							
	0380-0938	9			INSULATOR-FLG-BSHG TFE	28480	0380-0938
	4040-0752	9			EXTR-PC 8D YEL POLYC .062-BD-THKNS	28480	4040-0752
	4040-0754	1			EXTR-PC 8D BLU POLYC .062-BD-THKNS	28480	4040-0754
A65	03585-66565				HIGH VOLTAGE BOARD	28480	03585-66565
	2360-0115	4			SCREW=MACH 6-32 .312-IN-LG PAN-HD-POZI	00000	ORDER BY DESCRIPTION
	0590-1054	7			THREADED INSERT-NUT 6-32 .065-LG SST	28480	0590-1054
	1480-0116	8			PIN=GRV .062-IN-DIA .25-IN-LG STL	28480	1480-0116
A67	03585-66567	0		1	X=Y=Z= BOARD	28480	03585-66567
A67C1	0150-0012	3		21	CAPACITOR-FXD .01UF +-20% 1KVDC CER	56289	C023A102J103M338
A67C2	0150-0012	3			CAPACITOR-FXD .01UF +-20% 1KVDC CER	56289	C023A102J103M338
A67C3	0160-3622	8			CAPACITOR-FXD .1UF +80-20% 100VDC CER	26654	2130Y5V100R104Z
A67C4	0150-0012	3			CAPACITOR-FXD .01UF +-20% 1KVDC CER	56289	C023A102J103M338
A67C6	0180-0269	5		2	CAPACITOR-FXD .1UF+50-10% 150VDC AL	56289	30D105G150BA2
A67C8	0160-3847	9			CAPACITOR-FXD .01UF +100-0% 50VDC CER	28480	0160-3847
A67C10	0160-3847	9			CAPACITOR-FXD .01UF +100-0% 50VDC CER	28480	0160-3847
A67C11	0160-3847	9			CAPACITOR-FXD .01UF +100-0% 50VDC CER	28480	0160-3847
A67C12	0150-0012	3			CAPACITOR-FXD .01UF +-20% 1KVDC CER	56289	C023A102J103M338
A67C13	0150-0012	3			CAPACITOR-FXD .01UF +-20% 1KVDC CER	56289	C023A102J103M338
A67C14	0180-0269	5			CAPACITOR-FXD .1UF+50-10% 150VDC AL	56289	30D105G150BA2
A67C16	0180-0197	8			CAPACITOR-FXD 2.2UF+-10% 20VDC TA	56289	150D225X9020A2
A67C17	0160-2237	9		1	CAPACITOR-FXD 1.2PF +- .25PF 500VDC CER	28480	0160-2237
A67C18	0160-0195	4		1	CAPACITOR-FXD 1000PF +-20% 250VAC(RMS)	28480	0160-0195
A67C19	0180-0089	7		2	CAPACITOR-FXD 10UF+50-10% 150VDC AL	56289	30D106F150DD2
A67C20	0160-0164	7			CAPACITOR-FXD .039UF +-10% 200VDC POLYE	28480	0160-0164
A67C21	0160-3622	8			CAPACITOR-FXD .1UF +80-20% 100VDC CER	26654	2130Y5V100R104Z
A67C22	0160-0166	9			CAPACITOR-FXD .068UF +-10% 200VDC POLYE	28480	0160-0166
A67C23	0180-0141	2		3	CAPACITOR-FXD 50UF+75-10% 50VDC AL	56289	30D506G050DD2
A67C24	0180-0229	7			CAPACITOR-FXD 33UF+-10% 10VDC TA	56289	150D336X9010B2
A67C25	0150-0012	3			CAPACITOR-FXD .01UF +-20% 1KVDC CER	56289	C023A102J103M338
A67C26	0150-0012	3			CAPACITOR-FXD .01UF +-20% 1KVDC CER	56289	C023A102J103M338
A67C27	0150-0012	3			CAPACITOR-FXD .01UF +-20% 1KVDC CER	56289	C023A102J103M338
A67C28	0180-0197	8			CAPACITOR-FXD 2.2UF+-10% 20VDC TA	56289	150D225X9020A2
A67C29	0160-2235	7		4	CAPACITOR-FXD .75PF +- .25PF 500VDC CER	28480	0160-2235
A67C30	0150-0012	3			CAPACITOR-FXD .01UF +-20% 1KVDC CER	56289	C023A102J103M338
A67C31	0150-0012	3			CAPACITOR-FXD .01UF +-20% 1KVDC CER	56289	C023A102J103M338
A67C32	0150-0012	3			CAPACITOR-FXD .01UF +-20% 1KVDC CER	56289	C023A102J103M338
A67C33	0180-0197	8			CAPACITOR-FXD 2.2UF+-10% 20VDC TA	56289	150D225X9020A2
A67C34	0160-2235	7			CAPACITOR-FXD .75PF +- .25PF 500VDC CER	28480	0160-2235
A67C35	0180-0229	7			CAPACITOR-FXD 33UF+-10% 10VDC TA	56289	150D336X9010B2
A67C36	0150-0012	3			CAPACITOR-FXD .01UF +-20% 1KVDC CER	56289	C023A102J103M338
A67C37	0150-0012	3			CAPACITOR-FXD .01UF +-20% 1KVDC CER	56289	C023A102J103M338
A67C38	0150-0012	3			CAPACITOR-FXD .01UF +-20% 1KVDC CER	56289	C023A102J103M338
A67C39	0180-0197	8			CAPACITOR-FXD 2.2UF+-10% 20VDC TA	56289	150D225X9020A2

See introduction to this section for ordering information  
 \*Indicates factory selected value

**Table 9-3. Replaceable Parts (Cont'd)**

Reference Designation	HP Part Number	C D	Qty	Description	Mfr Code	Mfr Part Number
A67C40	0160-2235	7		CAPACITOR-FXD .75PF +-25PF 500VDC CER	28480	0160-2235
A67C41	0150-0012	3		CAPACITOR-FXD .01UF +-20% 1KVDC CER	56289	C023A102J103MS38
A67C42	0150-0012	3		CAPACITOR-FXD .01UF +-20% 1KVDC CER	56289	C023A102J103MS38
A67C43	0150-0012	3		CAPACITOR-FXD .01UF +-20% 1KVDC CER	56289	C023A102J103MS38
A67C44	0180-0197	8		CAPACITOR-FXD 2.2UF+-10% 20VDC TA	56289	150D225X020A2
A67C45	0160-2235	7		CAPACITOR-FXD .75PF +-25PF 500VDC CER	28480	0160-2235
A67C46	0180-0089	7		CAPACITOR-FXD 10UF+50-10% 150VDC AL	56289	30D106P150DD2
A67C47	0160-3847	9		CAPACITOR-FXD .01UF +100-0% 50VDC CER	28480	0160-3847
A67C48	0160-3847	9		CAPACITOR-FXD .01UF +100-0% 50VDC CER	28480	0160-3847
A67C49	0160-3847	9		CAPACITOR-FXD .01UF +100-0% 50VDC CER	28480	0160-3847
A67C50	0160-3847	9		CAPACITOR-FXD .01UF +100-0% 50VDC CER	28480	0160-3847
A67C51	0150-0012	3		CAPACITOR-FXD .01UF +-20% 1KVDC CER	56289	C023A102J103MS38
A67C52	0160-3847	9		CAPACITOR-FXD .01UF +100-0% 50VDC CER	28480	0160-3847
A67C53	0160-3847	9		CAPACITOR-FXD .01UF +100-0% 50VDC CER	28480	0160-3847
A67C54	0150-0012	3		CAPACITOR-FXD .01UF +-20% 1KVDC CER	56289	C023A102J103MS38
A67C55	0160-0161	4		CAPACITOR-FXD .01UF +-10% 200VDC POLYE	28480	0160-0161
A67C64	0150-0012	3		CAPACITOR-FXD .01UF +-20% 1KVDC CER	56289	C023A102J103MS38
A67C65	0160-3847	9		CAPACITOR-FXD .01UF +100-0% 50VDC CER	28480	0160-3847
A67C66	0160-3847	9		CAPACITOR-FXD .01UF +100-0% 50VDC CER	28480	0160-3847
A67C67	0160-3847	9		CAPACITOR-FXD .01UF +100-0% 50VDC CER	28480	0160-3847
A67C68	0160-3847	9		CAPACITOR-FXD .01UF +100-0% 50VDC CER	28480	0160-3847
A67C69	0160-3847	9		CAPACITOR-FXD .01UF +100-0% 50VDC CER	28480	0160-3847
A67C70	0160-3847	9		CAPACITOR-FXD .01UF +100-0% 50VDC CER	28480	0160-3847
A67C71	0180-0195	6		CAPACITOR-FXD .33UF+-20% 35VDC TA	56289	150D334X0035A2
A67C72	0180-0195	6		CAPACITOR-FXD .33UF+-20% 35VDC TA	56289	150D334X0035A2
A67C73	0180-0291	3		CAPACITOR-FXD 1UF+-10% 35VDC TA	56289	150D105X9035A2
A67C74	0180-0291	3		CAPACITOR-FXD 1UF+-10% 35VDC TA	56289	150D105X9035A2
A67C75	0150-0012	3		CAPACITOR-FXD .01UF +-20% 1KVDC CER	56289	C023A102J103MS38
A67CR1	1902-3237	6	2	DIODE-ZNR 20V 5% DO-7 PD=.4W TC=+.073X	28480	1902-3237
A67CR2	1902-3311	7	3	DIODE-ZNR 38.3V 5% DO-7 PD=.4W TC=+.081X	28480	1902-3311
A67CR3	1902-3311	7		DIODE-ZNR 38.3V 5% DO-7 PD=.4W TC=+.081X	28480	1902-3311
A67CR4	1901-0096	7	1	DIODE-SWITCHING 120V 50MA 100NS	28480	1901-0096
A67CR5	1902-3237	6		DIODE-ZNR 20V 5% DO-7 PD=.4W TC=+.073X	28480	1902-3237
A67CR6	1901-0050	3		DIODE-SWITCHING 80V 200MA 2NS DO-35	28480	1901-0050
A67CR8	1902-0049	2		DIODE-ZNR 6.19V 5% DO-7 PD=.4W TC=+.022X	28480	1902-0049
A67CR10	1902-3193	3	1	DIODE-ZNR 13.3V 5% DO-7 PD=.4W TC=+.059X	28480	1902-3193
A67CR11	1902-0049	2		DIODE-ZNR 6.19V 5% DO-7 PD=.4W TC=+.022X	28480	1902-0049
A67CR12	1902-0934	4	1	DIODE-ZNR 1N5380B 120V 5% DO-29 PD=5W	04713	1N5380B
A67CR13	1902-3311	7		DIODE-ZNR 38.3V 5% DO-7 PD=.4W TC=+.081X	28480	1902-3311
A67CR14	1902-0049	2		DIODE-ZNR 6.19V 5% DO-7 PD=.4W TC=+.022X	28480	1902-0049
A67CR15	1902-0049	2		DIODE-ZNR 6.19V 5% DO-7 PD=.4W TC=+.022X	28480	1902-0049
A67CR16	1901-0050	3		DIODE-SWITCHING 80V 200MA 2NS DO-35	28480	1901-0050
A67CR17	1901-0050	3		DIODE-SWITCHING 80V 200MA 2NS DO-35	28480	1901-0050
A67CR18	1901-0029	6	3	DIODE-PWR RECT 600V 750MA DO-29	28480	1901-0029
A67CR19	1901-0029	6		DIODE-PWR RECT 600V 750MA DO-29	28480	1901-0029
A67CR20	1902-0049	2		DIODE-ZNR 6.19V 5% DO-7 PD=.4W TC=+.022X	28480	1902-0049
A67CR21	1902-0049	2		DIODE-ZNR 6.19V 5% DO-7 PD=.4W TC=+.022X	28480	1902-0049
A67CR22	1902-0049	2		DIODE-ZNR 6.19V 5% DO-7 PD=.4W TC=+.022X	28480	1902-0049
A67CR23	1902-0049	2		DIODE-ZNR 6.19V 5% DO-7 PD=.4W TC=+.022X	28480	1902-0049
A67CR24	1902-0049	2		DIODE-ZNR 6.19V 5% DO-7 PD=.4W TC=+.022X	28480	1902-0049
A67CR25	1902-0049	2		DIODE-ZNR 6.19V 5% DO-7 PD=.4W TC=+.022X	28480	1902-0049
A67CR26	1902-3301	5	2	DIODE-ZNR 34.8V 5% DO-7 PD=.4W TC=+.078X	28480	1902-3301
A67CR27	1902-3301	5		DIODE-ZNR 34.8V 5% DO-7 PD=.4W TC=+.078X	28480	1902-3301
A67CR29	1901-0029	6		DIODE-PWR RECT 600V 750MA DO-29	28480	1901-0029
A67F1	2110-0001	8	1	FUSE 1A 250V FAST-BLO 1.25X.25 UL IEC	75915	312001
A67J2	1251-6652	4	3	CONNECTOR 13-PIN M POST TYPE	22526	65500-113
A67J3A	1251-5618	0		CONNECTOR CONNECTOR 8-PIN M POST TYPE	22526	65500-108
A67J3B	1251-5618	0		CONNECTOR CONNECTOR 8-PIN M POST TYPE	22526	65500-108
A67J4	1251-3618	6	5	CONNECTOR 2-PIN M POST TYPE	28480	1251-3618
A67J5	1251-3618	6		CONNECTOR 2-PIN M POST TYPE	28480	1251-3618
A67J6	1251-3618	6		CONNECTOR 2-PIN M POST TYPE	28480	1251-3618
A67J11	1251-4822	6		CONNECTOR 3-PIN M POST TYPE	27264	22-03-2031
A67J11	1258-0141	8		JUMPER REMOVABLE	28480	1258-0141
A67L1	9140-0171	3	1	COIL-MLD 40UH 10% Q=20 .296DX.968LG-NOM	28480	9140-0171
A67L2	9100-1641	0		COIL-MLD 240UH 5% Q=65 .155DX.375LG-NOM	28480	9100-1641
A67Q1	1854-0215	1		TRANSISTOR NPN SI PD=350MW FT=300MHZ	04713	2N3904
A67Q2	1853-0089	5		TRANSISTOR PNP 2N4917 SI PD=200MW	07263	2N4917
A67Q3	1853-0089	5		TRANSISTOR PNP 2N4917 SI PD=200MW	07263	2N4917
A67Q4	1854-0215	1		TRANSISTOR NPN SI PD=350MW FT=300MHZ	04713	2N3904
A67Q5	1853-0036	2		TRANSISTOR PNP SI PD=310MW FT=250MHZ	28480	1853-0036
A67Q6	1854-0071	7		TRANSISTOR NPN SI PD=300MW FT=200MHZ	28480	1854-0071
A67Q7	1853-0232	0	5	TRANSISTOR PNP SI TO-39 PD=1W FT=200MHZ	28480	1853-0232
A67Q8	1854-0419	7	5	TRANSISTOR NPN SI TO-39 PD=1W FT=200MHZ	28480	1854-0419
A67Q9	1854-0215	1		TRANSISTOR NPN SI PD=350MW FT=300MHZ	04713	2N3904
A67Q10	1854-0039	7		TRANSISTOR NPN 2N3053B SI TO-39 PD=1W	0192B	2N3053B

See introduction to this section for ordering information  
 \*Indicates factory selected value

**Table 9-3. Replaceable Parts (Cont'd)**

Reference Designation	HP Part Number	C D	Qty	Description	Mfr Code	Mfr Part Number
A67Q11	1854-0237	7	1	TRANSISTOR NPN SI TO-66 PD=20W FT=10MHZ	28480	1854-0237
A67Q12	1854-0234	4	1	TRANSISTOR NPN 2N3440 SI TO-5 PD=1W	01928	2N3440
A67Q13	1854-0476	6	1	TRANSISTOR NPN 2N3879 SI TO-66 PD=35W	01928	2N3879
A67Q14	1854-0475	5		TRANSISTOR-DUAL NPN PD=750MW	28480	1854-0475
A67Q15	1854-0071	7		TRANSISTOR NPN SI PD=300MW FT=200MHZ	28480	1854-0071
A67Q16	1853-0036	2		TRANSISTOR PNP SI PD=310MW FT=250MHZ	28480	1853-0036
A67Q17	1854-0071	7		TRANSISTOR NPN SI PD=300MW FT=200MHZ	28480	1854-0071
A67Q18	1853-0232	0		TRANSISTOR PNP SI TO-39 PD=1W FT=200MHZ	28480	1853-0232
A67Q19	1854-0419	7		TRANSISTOR NPN SI TO-39 PD=1W FT=200MHZ	28480	1854-0419
A67Q20	1853-0036	2		TRANSISTOR PNP SI PD=310MW FT=250MHZ	28480	1853-0036
A67Q21	1854-0071	7		TRANSISTOR NPN SI PD=300MW FT=200MHZ	28480	1854-0071
A67Q22	1853-0232	0		TRANSISTOR PNP SI TO-39 PD=1W FT=200MHZ	28480	1853-0232
A67Q23	1854-0419	7		TRANSISTOR NPN SI TO-39 PD=1W FT=200MHZ	28480	1854-0419
A67Q24	1854-0475	5		TRANSISTOR-DUAL NPN PD=750MW	28480	1854-0475
A67Q25	1854-0071	7		TRANSISTOR NPN SI PD=300MW FT=200MHZ	28480	1854-0071
A67Q26	1853-0036	2		TRANSISTOR PNP SI PD=310MW FT=250MHZ	28480	1853-0036
A67Q27	1854-0071	7		TRANSISTOR NPN SI PD=300MW FT=200MHZ	28480	1854-0071
A67Q28	1853-0232	0		TRANSISTOR PNP SI TO-39 PD=1W FT=200MHZ	28480	1853-0232
A67Q29	1854-0419	7		TRANSISTOR NPN SI TO-39 PD=1W FT=200MHZ	28480	1854-0419
A67Q30	1853-0036	2		TRANSISTOR PNP SI PD=310MW FT=250MHZ	28480	1853-0036
A67Q31	1854-0071	7		TRANSISTOR NPN SI PD=300MW FT=200MHZ	28480	1854-0071
A67Q32	1853-0232	0		TRANSISTOR PNP SI TO-39 PD=1W FT=200MHZ	28480	1853-0232
A67Q33	1854-0419	7		TRANSISTOR NPN SI TO-39 PD=1W FT=200MHZ	28480	1854-0419
A67Q35	1884-0073	2	1	THYRISTOR-SCR TO-5 VRRM=100	28480	1884-0073
A67R1	2100-3353	8		RESISTOR-TRMR 20K 10% C SIDE-ADJ 1-TRN	32997	3386X-Y46-203
A67R2	2100-3353	8		RESISTOR-TRMR 20K 10% C SIDE-ADJ 1-TRN	32997	3386X-Y46-203
A67R3	2100-3354	9		RESISTOR-TRMR 50K 10% C SIDE-ADJ 1-TRN	28480	2100-3354
A67R4	0683-5135	0	1	RESISTOR 51K 5% .25W FC TC=-400/+800	01121	CB5135
A67R5	0683-2225	3		RESISTOR 2,2K 5% .25W FC TC=-400/+700	01121	CB2225
A67R6	2100-3354	9		RESISTOR-TRMR 50K 10% C SIDE-ADJ 1-TRN	28480	2100-3354
A67R7	0698-3497	4	3	RESISTOR 6,04K 1% .125W F TC=0+100	24546	C4-1/8-T0=604R-F
A67R8	0698-4510	4		RESISTOR 84,5K 1% .125W F TC=0+100	24546	C4-1/8-T0=8452-F
A67R9	0683-0275	9		RESISTOR 2,7 5% .25W FC TC=-400/+500	01121	CB2755
A67R21	0683-1015	7		RESISTOR 100 5% .25W FC TC=-400/+500	01121	CB1015
A67R22	0757-0442	9		RESISTOR 10K 1% .125W F TC=0+100	24546	C4-1/8-T0=1002-F
A67R23	0683-2425	5		RESISTOR 2,4K 5% .25W FC TC=-400/+700	01121	CB2425
A67R24	0683-4715	0		RESISTOR 470 5% .25W FC TC=-400/+800	01121	CB4715
A67R25	0698-3279	0		RESISTOR 4,99K 1% .125W F TC=0+100	24546	C4-1/8-T0=4991-F
A67R26	0683-5125	8		RESISTOR 5,1K 5% .25W FC TC=-400/+700	01121	CB5125
A67R27	0757-0437	2		RESISTOR 4,75K 1% .125W F TC=0+100	24546	C4-1/8-T0=4751-F
A67R28	0683-1525	4		RESISTOR 1,5K 5% .25W FC TC=-400/+700	01121	CB1525
A67R29	0757-0346	2	10	RESISTOR 10 1% .125W F TC=0+100	24546	C4-1/8-T0=10R0-F
A67R30	0757-0346	2		RESISTOR 10 1% .125W F TC=0+100	24546	C4-1/8-T0=10R0-F
A67R31	0757-0190	4	5	RESISTOR 20K 1% .5W F TC=0+100	28480	0757-0190
A67R32	0686-4335	6	5	RESISTOR 43K 5% .5W CC TC=0+765	01121	EB4335
A67R33	0698-4479	6		RESISTOR 14K 1% .125W F TC=0+100	24546	C4-1/8-T0=1402-F
A67R34	0698-4471	6		RESISTOR 7,15K 1% .125W F TC=0+100	24546	C4-1/8-T0=7151-F
A67R35	0764-0005	5	1	RESISTOR 10K 5% 2W MO TC=0+200	28480	0764-0005
A67R36	0757-0273	4	2	RESISTOR 3,01K 1% .125W F TC=0+100	24546	C4-1/8-T0=3011-F
A67R37	0686-7535	4	1	RESISTOR 75K 5% .5W CC TC=0+765	01121	EB7535
A67R38	2100-0558	9		RESISTOR-TRMR 20K 10% C TOP-ADJ 1-TRN	28480	2100-0558
A67R39	0698-3497	4		RESISTOR 6,04K 1% .125W F TC=0+100	24546	C4-1/8-T0=604R-F
A67R40	0698-3497	4		RESISTOR 6,04K 1% .125W F TC=0+100	24546	C4-1/8-T0=604R-F
A67R41	0686-3005	5	1	RESISTOR 30 5% .5W CC TC=0+412	01121	EB3005
A67R42	0757-0273	4		RESISTOR 3,01K 1% .125W F TC=0+100	24546	C4-1/8-T0=3011-F
A67R43	0683-1045	3		RESISTOR 100K 5% .25W FC TC=-400/+800	01121	CB1045
A67R44	0698-4536	4	1	RESISTOR 340K 1% .125W F TC=0+100	91637	CMF-55-1, T-1
A67R45	0757-0467	8	1	RESISTOR 121K 1% .125W F TC=0+100	24546	C4-1/8-T0=1213-F
A67R46	2100-3253	7	2	RESISTOR-TRMR 50K 10% C TOP-ADJ 1-TRN	28480	2100-3253
A67R47	0757-0465	6		RESISTOR 100K 1% .125W F TC=0+100	24546	C4-1/8-T0=1003-F
A67R48	0757-0465	6		RESISTOR 100K 1% .125W F TC=0+100	24546	C4-1/8-T0=1003-F
A67R49	0683-2265	1	1	RESISTOR 22M 5% .25W FC TC=-900/+1200	01121	CB2265
A67R50	0683-1215	9	1	RESISTOR 120 5% .25W FC TC=-400/+600	01121	CB1215
A67R51	0757-0479	2	1	RESISTOR 392K 1% .125W F TC=0+100	19701	MF4C1/8-T0=3923-F
A67R52	0683-3915	0	5	RESISTOR 390 5% .25W FC TC=-400/+600	01121	CB3915
A67R53	0757-0280	3		RESISTOR 1K 1% .125W F TC=0+100	24546	C4-1/8-T0=1001-F
A67R54	2100-3351	6		RESISTOR-TRMR 500 10% C SIDE-ADJ 1-TRN	28480	2100-3351
A67R55	0757-0280	3		RESISTOR 1K 1% .125W F TC=0+100	24546	C4-1/8-T0=1001-F
A67R56	0757-0280	3		RESISTOR 1K 1% .125W F TC=0+100	24546	C4-1/8-T0=1001-F
A67R57	0757-0280	3		RESISTOR 1K 1% .125W F TC=0+100	24546	C4-1/8-T0=1001-F
A67R58	0757-0431	6	1	RESISTOR 2,43K 1% .125W F TC=0+100	24546	C4-1/8-T0=2431-F
A67R59	2100-3349	2	2	RESISTOR-TRMR 100 10% C SIDE-ADJ 1-TRN	28480	2100-3349
A67R60	0757-0284	7		RESISTOR 150 1% .125W F TC=0+100	24546	C4-1/8-T0=151-F
A67R61	0757-0428	1		RESISTOR 1,62K 1% .125W F TC=0+100	24546	C4-1/8-T0=1621-F

See introduction to this section for ordering information  
 \*Indicates factory selected value

**Table 9-3. Replaceable Parts (Cont'd)**

Reference Designation	HP Part Number	C D	Qty	Description	Mfr Code	Mfr Part Number
A67R62	0698-4468	1		RESISTOR 1.13K 1% .125W F TC=0+100	24546	C4-1/8-T0-1131-F
A67R63	0698-3279	0		RESISTOR 4.99K 1% .125W F TC=0+100	24546	C4-1/8-T0-4991-F
A67R64	0683-5125	8		RESISTOR 5.1K 5% .25W FC TC=400/+700	01121	C85125
A67R65	0757-0437	2		RESISTOR 4.75K 1% .125W F TC=0+100	24546	C4-1/8-T0-4751-F
A67R66	0683-1525	4		RESISTOR 1.5K 5% .25W FC TC=400/+700	01121	C81525
A67R67	0757-0346	2		RESISTOR 10 1% .125W F TC=0+100	24546	C4-1/8-T0-10R0-F
A67R68	0686-4335	6		RESISTOR 43K 5% .5W CC TC=0+765	01121	E84335
A67R69	0757-0346	2		RESISTOR 10 1% .125W F TC=0+100	24546	C4-1/8-T0-10R0-F
A67R70	0757-0190	4		RESISTOR 20K 1% .5W F TC=0+100	28480	0757-0190
A67R71	0698-3279	0		RESISTOR 4.99K 1% .125W F TC=0+100	24546	C4-1/8-T0-4991-F
A67R72	0683-5125	8		RESISTOR 5.1K 5% .25W FC TC=400/+700	01121	C85125
A67R73	0757-0437	2		RESISTOR 4.75K 1% .125W F TC=0+100	24546	C4-1/8-T0-4751-F
A67R74	0683-1525	2		RESISTOR 1.5K 5% .25W FC TC=400/+700	01121	C81525
A67R75	0757-0346	4		RESISTOR 10 1% .125W F TC=0+100	24546	C4-1/8-T0-10R0-F
A67R76	0686-4335	6		RESISTOR 43K 5% .5W CC TC=0+765	01121	E84335
A67R78	0757-0346	2		RESISTOR 10 1% .125W F TC=0+100	24546	C4-1/8-T0-10R0-F
A67R79	0757-0190	4		RESISTOR 20K 1% .5W F TC=0+100	28480	0757-0190
A67R80	2100-3351	6		RESISTOR-TRMR 500 10% C SIDE-ADJ 1-TRN	28480	2100-3351
A67R81	0757-0280	3		RESISTOR 1K 1% .125W F TC=0+100	24546	C4-1/8-T0-1001-F
A67R82	0757-0280	3		RESISTOR 1K 1% .125W F TC=0+100	24546	C4-1/8-T0-1001-F
A67R83	0757-0280	3		RESISTOR 1K 1% .125W F TC=0+100	24546	C4-1/8-T0-1001-F
A67R84	0698-4439	6	1	RESISTOR 3.24K 1% .125W F TC=0+100	24546	C4-1/8-T0-3241-F
A67R85	2100-3349	2		RESISTOR-TRMR 100 10% C SIDE-ADJ 1-TRN	28480	2100-3349
A67R86	0757-0280	7		RESISTOR 150 1% .125W F TC=0+100	24546	C4-1/8-T0-151-F
A67R87	0757-0428	1		RESISTOR 1.62K 1% .125W F TC=0+100	24546	C4-1/8-T0-1621-F
A67R88	0698-4468	1		RESISTOR 1.13K 1% .125W F TC=0+100	24546	C4-1/8-T0-1131-F
A67R89	0698-3279	0		RESISTOR 4.99K 1% .125W F TC=0+100	24546	C4-1/8-T0-4991-F
A67R90	0683-5125	8		RESISTOR 5.1K 5% .25W FC TC=400/+700	01121	C85125
A67R91	0757-0437	2		RESISTOR 4.75K 1% .125W F TC=0+100	24546	C4-1/8-T0-4751-F
A67R92	0683-1525	4		RESISTOR 1.5K 5% .25W FC TC=400/+700	01121	C81525
A67R93	0757-0346	2		RESISTOR 10 1% .125W F TC=0+100	24546	C4-1/8-T0-10R0-F
A67R94	0686-4335	6		RESISTOR 43K 5% .5W CC TC=0+765	01121	E84335
A67R95	0757-0346	2		RESISTOR 10 1% .125W F TC=0+100	24546	C4-1/8-T0-10R0-F
A67R96	0757-0190	4		RESISTOR 20K 1% .5W F TC=0+100	28480	0757-0190
A67R97	0698-3279	0		RESISTOR 4.99K 1% .125W F TC=0+100	24546	C4-1/8-T0-4991-F
A67R98	0683-5125	8		RESISTOR 5.1K 5% .25W FC TC=400/+700	01121	C85125
A67R99	0757-0437	2		RESISTOR 4.75K 1% .125W F TC=0+100	24546	C4-1/8-T0-4751-F
A67R100	0683-1525	4		RESISTOR 1.5K 5% .25W FC TC=400/+700	01121	C81525
A67R101	0757-0346	2		RESISTOR 10 1% .125W F TC=0+100	24546	C4-1/8-T0-10R0-F
A67R102	0686-4335	6		RESISTOR 43K 5% .5W CC TC=0+765	01121	E84335
A67R103	0757-0346	2		RESISTOR 10 1% .125W F TC=0+100	24546	C4-1/8-T0-10R0-F
A67R104	0757-0190	4		RESISTOR 20K 1% .5W F TC=0+100	28480	0757-0190
A67R105	2100-3253	7		RESISTOR-TRMR 50K 10% C TOP-ADJ 1-TRN	28480	2100-3253
A67R106	0698-4510	4		RESISTOR 84.5K 1% .125W F TC=0+100	24546	C4-1/8-T0-8452-F
A67R107	0683-1025	9		RESISTOR 1K 5% .25W FC TC=400/+600	01121	C81025
A67R108	0683-4715	0		RESISTOR 470 5% .25W FC TC=400/+600	01121	C84715
A67R110	0683-4705	8		RESISTOR 47 5% .25W FC TC=400/+500	01121	C84705
A67R111	0757-0407	6		RESISTOR 200 1% .125W F TC=0+100	24546	C4-1/8-T0-201-F
A67R112	0683-4705	8		RESISTOR 47 5% .25W FC TC=400/+500	01121	C84705
A67R113	0757-0407	6		RESISTOR 200 1% .125W F TC=0+100	24546	C4-1/8-T0-201-F
A67R114	0683-4705	8		RESISTOR 47 5% .25W FC TC=400/+500	01121	C84705
A67R115	0683-4725	2		RESISTOR 4.7K 5% .25W FC TC=400/+700	01121	C84725
A67TP1-9	0360-0124	3		CONNECTOR-SGL CONT PIN .04-IN-BSC-SZ RND	28480	0360-0124
A67U1	1826-0512	2		IC 78M15C V RGLTR T0-39	04713	MC78M15CG
A67U2	1826-0167	3	1	OP AMP PRGMBL T0-99	01928	CA3094AT
A67U3	1820-0196	6	1	IC 723 V RGLTR T0-100	04713	MC1723CG
A67U4	1826-0511	1		IC 79M15A V RGLTR T0-39	01295	UA79M15CLA
<b>A67 MISCELLANEOUS PARTS</b>						
	0340-0566	5	1	INSULATOR-XSTR RUBBER RED	28480	0340-0566
	1205-0033	6	10	HEAT SINK T0-5/T0-39-PKG	28480	1205-0033
	1205-0050	7	2	HEAT SINK T0-5/T0-39-PKG	28480	1205-0050
	1205-0085	8	2	HEAT SINK T0-66-PKG	28480	1205-0085
	1205-0247	4	5	HEAT SINK T0-66-PKG	28480	1205-0247
	2110-0269	0	12	FUSEHOLDER-CLIP TYPE,25D-FUSE	28480	2110-0269
	2260-0001	5	3	NUT-HEX-DBL-CHAM 4-40-THD .094-IN=THK	28480	2260-0001
	1251-0600	0		CONNECTOR-SGL CONT PIN 1.14-MM-BSC-82 80	28480	1251-0600
	0403-0029	9	2	BUMPER FOOT-SCR .5-IN=OD .25-IN=THK BLK	28480	0403-0029
	2360-0117	6		SCREW=MACH 6-32 .375-IN=LG PAN=HD=POZI	00000	ORDER BY DESCRIPTION
	0400-0018	0		GROMMET-CHAN NCH .052-IN=THK-PNL	28480	0400-0018
	2190-0007	2	4	WASHER=LK INTL T NO. 6 .141-IN-ID	28480	2190-0007
	0590-1054	7		THREADED INSERT-NUT 6-32 .065=LG SST	28480	0590-1054

See introduction to this section for ordering information  
 \*Indicates factory selected value

**Table 9-3. Replaceable Parts (Cont'd)**

Reference Designation	HP Part Number	C D	Qty	Description	Mfr Code	Mfr Part Number
	2190-0005	0	2	WASHER=LK EXT T NO. 4 .116-IN-ID	28480	2190-0005
	3050-0716	5	4	WASHER=FL MTLG NO. 5 .128-IN-ID	28480	3050-0716
	2200-0105	4	2	SCREW=MACH 4-40 .312-IN-LG PAN=HD=POZI	00000	ORDER BY DESCRIPTION
A70	03585-66570	5	1	POWER SUPPLY BOARD	28480	03585-66570
A70C1	0180-0696	2	1	CAPACITOR-FXD 2600UF+50-10X 75VDC AL	00853	101262T075882A
A70C2	0180-2316	7	1	CAPACITOR-FXD 900UF+50-10X 100VDC AL	56289	360901F100AB2A
A70C3	0180-0291	3		CAPACITOR-FXD 1UF+-10X 35VDC TA	56289	150D105X9035A2
A70C4	0180-0291	3		CAPACITOR-FXD 1UF+-10X 35VDC TA	56289	150D105X9035A2
A70C5	0180-0291	3		CAPACITOR-FXD 1UF+-10X 35VDC TA	56289	150D105X9035A2
A70C6	0180-0291	3		CAPACITOR-FXD 1UF+-10X 35VDC TA	56289	150D105X9035A2
A70C7	0180-0291	3		CAPACITOR-FXD 1UF+-10X 35VDC TA	56289	150D105X9035A2
A70CR1	1902-1204	3	2	DIODE=ZNR 1N2984B 20V 5X DO-4 PD=10W	12954	1N2984B
A70CR2	1902-1204	3		DIODE=ZNR 1N2984B 20V 5X DO-4 PD=10W	12954	1N2984B
A70CR3	1902-0643	2	1	DIODE=ZNR 1N2979B 15V 5X DO-4 PD=10W	28480	1902-0643
A70CR4	1902-1198	4	1	DIODE=ZNR 1N2973B 9.1V 5X DO-4 PD=10W	12954	1N2973B
A70CR5	1902-1217	8	1	DIODE=ZNR 6.2V 5X DO-4 PD=10W TC=+.035X	28480	1902-1217
A7OR1	0764-0020	4	2	RESISTOR 5.6K 5% 2W MO TC=0+-200	28480	0764-0020
A7OR2	0764-0020	4		RESISTOR 5.6K 5% 2W MO TC=0+-200	28480	0764-0020
A7OR3	0687-1031	5	1	RESISTOR 10K 10% .5W CC TC=0+765	01121	E81031
				<b>A70 MISCELLANEOUS PARTS</b>		
	2740-0002	4	5	NUT=HEX-DBL-CHAM 10-32-THD .125-IN-TMK	00000	ORDER BY DESCRIPTION
	0380-0741	2	2	STANDOFF=RVT-ON .187-IN-LG 6-32THD	00000	ORDER BY DESCRIPTION
	2190-0011	8	9	WASHER=LK INTL T NO. 10 .195-IN-ID	28480	2190-0011
	0590-1136	6	6	THREADED INSERT=NUT 10-32 .125-LG	28480	0590-1136
	2680-0128	7	4	SCREW=MACH 10-32 .25-IN-LG PAN=HD=POZI	00000	ORDER BY DESCRIPTION
	0380-0059	5	7	SPACER=RVT-ON .25-IN-LG .152-IN-ID	00000	ORDER BY DESCRIPTION
	1251-2034	8	5	CONNECTOR-PC EDGE 10-CONT/ROW 2-ROWS	28480	1251-2034
	1251-0600	0		CONNECTOR-BGL CONT PIN 1.14-MM-BSC-SZ 80	28480	1251-0600
	1251-2035	9		CONNECTOR-PC EDGE 15-CONT/ROW 2-ROWS	28480	1251-2035
	1251-3276	2		CONNECTOR 6-PIN M POST TYPE	28480	1251-3276
	8150-0406	7		WIRE 18AWG R 300V PVC 19X30 80C	28480	8150-0406
	1251-4659	7	2	CONNECTOR 14-PIN M POST TYPE	28480	1251-4659
	8150-0404	5		WIRE 18AWG O 300V PVC 19X30 80C	28480	8150-0404
	1251-4692	8	1	CONNECTOR 8-PIN M POST TYPE	22526	65645-408
	8150-0403	8		WIRE 18AWG BK PVC 19 X 30 80C	28480	8150-0403
	8150-0408	9		WIRE 18AWG BL 300V PVC 19X30 80C	28480	8150-0408
A71	03585-66571	6	1	+7.7V POWER SUPPLY	28480	03585-66571
A71C1	0180-2687	5	4	CAPACITOR-FXD 47UF+100-10X 100VDC AL	28480	0180-2687
A71C2	0160-3622	8		CAPACITOR-FXD .1UF +80-20X 100VDC CER	26654	2130Y5V100R104Z
A71C3	0180-2686	4	3	CAPACITOR-FXD 470UF+100-10X 25VDC AL	28480	0180-2686
A71C4	0160-3456	6		CAPACITOR-FXD 1000PF +-10X 1KVDC CER	28480	0160-3456
A71C5	0180-0116	1		CAPACITOR-FXD 6.8UF+-10X 35VDC TA	56289	150D685X9035B2
A71C6	0180-0309	4		CAPACITOR-FXD 4.7UF+-20X 10VDC TA	56289	150D475X0010A2
A71C7	0160-3622	8		CAPACITOR-FXD .1UF +80-20X 100VDC CER	26654	2130Y5V100R104Z
A71C8	0180-0309	4		CAPACITOR-FXD 4.7UF+-20X 10VDC TA	56289	150D475X0010A2
A71C9	0160-0300	3		CAPACITOR-FXD 2700PF +-10X 200VDC POLYE	28480	0160-0300
A71C10	0180-0116	1		CAPACITOR-FXD 6.8UF+-10X 35VDC TA	56289	150D685X9035B2
A71C11	0160-2055	9		CAPACITOR-FXD .01UF +80-20X 100VDC CER	28480	0160-2055
A71C12	0160-3456	6		CAPACITOR-FXD 1000PF +-10X 1KVDC CER	28480	0160-3456
A71C13	0160-3622	8		CAPACITOR-FXD .1UF +80-20X 100VDC CER	26654	2130Y5V100R104Z
A71C14	0160-3456	6		CAPACITOR-FXD 1000PF +-10X 1KVDC CER	28480	0160-3456
A71C15	0160-3622	8		CAPACITOR-FXD .1UF +80-20X 100VDC CER	26654	2130Y5V100R104Z
A71CR1	1901-0040	1		DIODE=SWITCHING 30V 50MA 2NS DO-35	28480	1901-0040
A71CR2	1902-0202	9	4	DIODE=ZNR 15V 5X DO-15 PD=1W TC=+.057X	28480	1902-0202
A71CR3	1990-0598	1	4	LED=VISIBLE LUM=INT=800UCD IF=60MA=MAX	28480	5082-4190
A71CR4	1901-0026	3	14	DIODE=PHR RECT 200V 750MA DO-29	28480	1901-0026
A71CR5	1990-0597	0		LED=VISIBLE LUM=INT=1MCD IF=60MA=MAX	28480	5082-4150
A71F1	2110-0043	8	4	FUSE 1.5A 250V FAST-BLO 1.25X.25 UL IEC	28480	2110-0043
A71L1	9140-0244	1	3	INDUCTOR 1MH	28480	9140-0244
A71Q1	1853-0086	2		TRANSISTOR PNP SI PD=310MW FT=40MHZ	27014	2N5087
A71Q2	1854-0022	8	3	TRANSISTOR NPN SI TO-39 PD=700MW	07263	517843
A71Q4	1854-0215	1		TRANSISTOR NPN SI PD=350MW FT=300MHZ	04713	2N3904
A71R1	0811-1826	1	3	RESISTOR .05 10X 3W PW TC=0+-200	28480	0811-1826
A71R2	0757-0407	6		RESISTOR 200 1X .125W F TC=0+-100	24546	C4-1/8-T0=201-F
A71R3	0683-4715	0		RESISTOR 470 5X .25W FC TC=400/+600	01121	CB4715
A71R5	0757-0453	2	1	RESISTOR 30.1K 1X .125W F TC=0+-100	24546	C4-1/8-T0=3012-F
A71R7	0683-1505	0		RESISTOR 15 5X .25W FC TC=400/+500	01121	CB1505

See introduction to this section for ordering information  
 \*Indicates factory selected value



Table 9-3. Replaceable Parts (Cont'd)

Reference Designation	HP Part Number	C D	Qty	Description	Mfr Code	Mfr Part Number
A71R8	0683-1505	0		RESISTOR 15 5% .25W FC TC=-400/+500	01121	CB1505
A71R9	0683-1505	0		RESISTOR 15 5% .25W FC TC=-400/+500	01121	CB1505
A71R10	0683-1505	0		RESISTOR 15 5% .25W FC TC=-400/+500	01121	CB1505
A71R11	0683-1025	9		RESISTOR 1K 5% .25W FC TC=-400/+600	01121	CB1025
A71R12	0683-1025	9		RESISTOR 1K 5% .25W FC TC=-400/+600	01121	CB1025
A71R13	0683-1035	1		RESISTOR 10K 5% .25W FC TC=-400/+700	01121	CB1035
A71R14	0683-1035	1		RESISTOR 10K 5% .25W FC TC=-400/+700	01121	CB1035
A71R15	0757-0442	9		RESISTOR 10K 1% .125W F TC=0/+100	24546	C4-1/8-T0=1002-F
A71R16	0683-1515	2		RESISTOR 150 5% .25W FC TC=-400/+600	01121	CB1515
A71R17	0683-1035	1		RESISTOR 10K 5% .25W FC TC=-400/+700	01121	CB1035
A71R18	0683-1035	1		RESISTOR 10K 5% .25W FC TC=-400/+700	01121	CB1035
A71R19	0683-1015	7		RESISTOR 100 5% .25W FC TC=-400/+500	01121	CB1015
A71R20	0698-6704	2	2	RESISTOR 24.9K .25% .125W F TC=0/+100	28480	0698-6704
A71R21	0757-0448	5		RESISTOR 18.2K 1% .125W F TC=0/+100	24546	C4-1/8-T0=1822-F
A71R22	0683-6825	7		RESISTOR 6.8K 5% .25W FC TC=-400/+700	01121	CB6825
A71R23	0683-1525	4		RESISTOR 1.5K 5% .25W FC TC=-400/+700	01121	CB1525
A71R24	0683-4725	2		RESISTOR 4.7K 5% .25W FC TC=-400/+700	01121	CB4725
A71R25	0683-1035	1		RESISTOR 10K 5% .25W FC TC=-400/+700	01121	CB1035
A71R26	0683-1035	1		RESISTOR 10K 5% .25W FC TC=-400/+700	01121	CB1035
A71R27	0683-2725	8		RESISTOR 2.7K 5% .25W FC TC=-400/+700	01121	CB2725
A71R28	0683-3915	0		RESISTOR 390 5% .25W FC TC=-400/+600	01121	CB3915
A71R29	0683-1025	9		RESISTOR 1K 5% .25W FC TC=-400/+600	01121	CB1025
A71R30	0683-2725	8		RESISTOR 2.7K 5% .25W FC TC=-400/+700	01121	CB2725
A71R31	0683-4725	2		RESISTOR 4.7K 5% .25W FC TC=-400/+700	01121	CB4725
A71TP1	0360-0124	3		CONNECTOR-SGL- CONT PIN .04-IN-BSC-SZ RND	28480	0360-0124
A71U1	1813-0110	9	1	IC V RGLTR TO-66	12969	12969
A71U2	1826-0026	3		COMPARATOR PRCN TO-99	04713	MLM3116
A71U3	1826-0026	3		COMPARATOR PRCN TO-99	04713	MLM3116
A71U4	1820-1199	1		IC INV TTL LS HEX 1-INP	01295	SN74LS04N
A71U5	1820-1112	8		IC FF TTL LS D-TYPE POS-EDGE-TRIG	01295	SN74LS74N
				A71 MISCELLANEOUS PARTS		
	03582-01103	1	3	HEAT SINK	28480	03582-01103
	1205-0247	4		HEAT SINK TO-66-PKG	28480	1205-0247
	1251-2551	4	10	CONNECTOR-SGL CONT SKT .033-IN-BSC-SZ	28480	1251-2551
	2110-0269	0		FUSEHOLDER=CLIP TYPE,250-FUSE	28480	2110-0269
	4040-0749	4		EXTR-PC BD BRN POLYC .062-BD-TMKNS	28480	4040-0749
	4040-0755	2	5	EXTR-PC BD VIO POLYC .062-BD-TMKNS	28480	4040-0755
	0590-1054	7		THREADED INSERT-NUT 6-32 .065-LG SST	28480	0590-1054
	1480-0116	8		PIN-GRV .062-IN-DIA .25-IN-LG STL	28480	1480-0116
	2360-0117	6		SCREW-MACH 6-32 .375-IN-LG PAN-HD-POZI	00000	ORDER BY DESCRIPTION
	2360-0115	4		SCREW-MACH 6-32 .312-IN-LG PAN-HD-POZI	00000	ORDER BY DESCRIPTION
	2200-0103	2		SCREW-MACH 4-40 .25-IN-LG PAN-HD-POZI	00000	ORDER BY DESCRIPTION
A72	03585-66572	7	1	POWER SUPPLY, +5V	28480	03585-66572
A72C1	0180-2687	5		CAPACITOR-FXD 47UF+100-10% 100VDC AL	28480	0180-2687
A72C2	0160-3622	8		CAPACITOR-FXD .1UF +80-20% 100VDC CER	26654	2130Y5V100R104Z
A72C3	0180-2695	5	1	CAPACITOR-FXD 1000UF+100-10% 12VDC AL	28480	0180-2695
A72C4	0160-0154	5		CAPACITOR-FXD 2200PF +10% 200VDC POLYLE	28480	0160-0154
A72C5	0180-0309	4		CAPACITOR-FXD 4.7UF+20% 10VDC TA	56289	150D475X0010A2
A72C6	0180-0309	4		CAPACITOR-FXD 4.7UF+20% 10VDC TA	56289	150D475X0010A2
A72C7	0180-0309	4		CAPACITOR-FXD 4.7UF+20% 10VDC TA	56289	150D475X0010A2
A72C8	0180-0116	1		CAPACITOR-FXD 6.8UF+10% 35VDC TA	56289	150D685X9035B2
A72C9	0160-2055	9		CAPACITOR-FXD .01UF +80-20% 100VDC CER	28480	0160-2055
A72C10	0160-3622	8		CAPACITOR-FXD .1UF +80-20% 100VDC CER	26654	2130Y5V100R104Z
A72C11	0160-3622	8		CAPACITOR-FXD .1UF +80-20% 100VDC CER	26654	2130Y5V100R104Z
A72C12	0160-3456	6		CAPACITOR-FXD 1000PF +10% 1KVDC CER	28480	0160-3456
A72C13	0180-0116	1		CAPACITOR-FXD 6.8UF+10% 35VDC TA	56289	150D685X9035B2
A72C14	0160-3456	6		CAPACITOR-FXD 1000PF +10% 1KVDC CER	28480	0160-3456
A72CR1	1902-0202	9		DIODE-ZNR 15V 5% DO-15 PD=1W TC=+.057%	28480	1902-0202
A72CR3	1990-0598	1		LED-VISIBLE LUM-INT=800UCD IF=60MA-MAX	28480	5082-4190
A72CR4	1901-0662	3		DIODE-PWR RECT 100V 6A	04713	MR751
A72CR5	1901-0040	1		DIODE-SWITCHING 30V 50MA 2NS DO-35	28480	1901-0040
A72CR6	1990-0597	0		LED-VISIBLE LUM-INT=1MCD IF=60MA-MAX	28480	5082-4150
A72F1	2110-0043	8		FUSE 1.5A 250V FAST-BLO 1.25X.25 UL IEC	28480	2110-0043
A72L1	9140-0243	0	1		28480	9140-0243
A72Q3	1854-0022	8		TRANSISTOR NPN SI TO-39 PD=700MW	07263	S17843
A72Q4	1854-0215	1		TRANSISTOR NPN SI PD=350MW FT=300MHZ	04713	2N3904
A72Q5	1853-0086	2		TRANSISTOR PNP SI PD=310MW FT=40MHZ	27014	2N5087
A72R4	0683-1615	3		RESISTOR 160 5% .25W FC TC=-400/+600	01121	CB1615
A72R5	0683-3915	0		RESISTOR 390 5% .25W FC TC=-400/+600	01121	CB3915
A72R6	0683-1505	0		RESISTOR 15 5% .25W FC TC=-400/+500	01121	CB1505
A72R7	0683-1505	0		RESISTOR 15 5% .25W FC TC=-400/+500	01121	CB1505
A72R8	0683-1505	0		RESISTOR 15 5% .25W FC TC=-400/+500	01121	CB1505

See introduction to this section for ordering information  
 \*Indicates factory selected value

Table 9-3. Replaceable Parts (Cont'd)

Reference Designation	HP Part Number	C D	Qty	Description	Mfr Code	Mfr Part Number
A72R9	0683-1025	9		RESISTOR 1K 5% .25W FC TC=-400/+600	01121	CB1025
A72R10	0683-1015	7		RESISTOR 100 5% .25W FC TC=-400/+500	01121	CB1015
A72R11	0683-1505	0		RESISTOR 15 5% .25W FC TC=-400/+500	01121	CB1505
A72R12	0683-1035	1		RESISTOR 10K 5% .25W FC TC=-400/+700	01121	CB1035
A72R13	0683-1035	1		RESISTOR 10K 5% .25W FC TC=-400/+700	01121	CB1035
A72R14	0683-6825	7		RESISTOR 6.8K 5% .25W FC TC=-400/+700	01121	CB6825
A72R15	0683-1015	7		RESISTOR 100 5% .25W FC TC=-400/+500	01121	CB1015
A72R16	0683-1035	1		RESISTOR 10K 5% .25W FC TC=-400/+700	01121	CB1035
A72R17	0683-1035	1		RESISTOR 10K 5% .25W FC TC=-400/+700	01121	CB1035
A72R18	0683-4725	2		RESISTOR 4.7K 5% .25W FC TC=-400/+700	01121	CB4725
A72R19	2100-3273	1		RESISTOR-TRMR 2K 10% C SIDE-ADJ 1-TRN	28480	2100-3273
A72R20*	0757-0459	8	1	RESISTOR 56.2K 1% .125W F TC=0+-100	24546	C4-1/8-T0-5622-F
A72R20*	0698-4489	6		RESISTOR 28K 1% .125W F TC=-+-100	91637	CMF-55-1,T-1
A72R21	0683-1505	0		RESISTOR 15 5% .25W FC TC=-400/+500	01121	CB1505
A72R22	0683-1015	7		RESISTOR 100 5% .25W FC TC=-400/+500	01121	CB1015
A72R23	0683-2725	8		RESISTOR 2.7K 5% .25W FC TC=-400/+700	01121	CB2725
A72R24	0683-1025	9		RESISTOR 1K 5% .25W FC TC=-400/+600	01121	CB1025
A72R25	0683-2725	8		RESISTOR 2.7K 5% .25W FC TC=-400/+700	01121	CB2725
A72R26	0683-1525	4		RESISTOR 1.5K 5% .25W FC TC=-400/+700	01121	CB1525
A72R27	0683-1035	1		RESISTOR 10K 5% .25W FC TC=-400/+700	01121	CB1035
A72R28	0757-0442	9		RESISTOR 10K 1% .125W F TC=0+-100	24546	C4-1/8-T0-1002-F
A72R29	0683-1025	9		RESISTOR 1K 5% .25W FC TC=-400/+600	01121	CB1025
A72R30	0698-4480	7	1	RESISTOR 15.8K 1% .125W F TC=0+-100	24546	C4-1/8-T0-1582-F
A72R31	2100-3207	1		RESISTOR-TRMR 5K 10% C 8IDE-ADJ 1-TRN	28480	2100-3207
A72R32	0698-4470	5	1	RESISTOR 6.98K 1% .125W F TC=0+-100	24546	C4-1/8-T0-6981-F
A72R33	0812-0031	0	1	RESISTOR 200 5% .25W PWH TC=-4000+-400	54294	PC312-1/4-201-J
A72R34	0683-1035	1		RESISTOR 10K 5% .25W FC TC=-400/+700	01121	CB1035
A72R35	0683-3335	8	1	RESISTOR 33K 5% .25W FC TC=-400/+800	01121	CB3335
A72TP1	0360-0124	3		CONNECTOR-SGL CONT PIN .04-IN-BSC-SZ RND	28480	0360-0124
A72U1	1826-0026	3		COMPARATOR PRCN T0-99	04713	MLM311G
A72U2	1826-0026	3		COMPARATOR PRCN T0-99	04713	MLM311G
A72U3	1820-1199	1		IC INV TTL LS HEX 1-INP	01295	SN74LS04N
A72U4	1820-1112	8		IC FF TTL LS D-TYPE POS-EDGE-TRIG	01295	SN74LS74N
A72U5	1813-0082	4	1	IC T0-3	12969	PIC646
				A72 MISCELLANEOUS PARTS		
A73A	03585-01102	3	1	HEAT SINK	28480	03585-01102
	1251-2551	4		CONNECTOR-SGL CONT SKT .033-IN-BSC-82	28480	1251-2551
	2110-0269	0		FUSEHOLDER-CLIP TYPE.25D-FUSE	28480	2110-0269
	4040-0755	2		EXTR-PC BD VIO POLYC .062-BD-THKNS	28480	4040-0755
	0590-1054	7		THREADED INSERT-NUT 6-32 .065-LG SST	28480	0590-1054
	1480-0116	8		PIN-GRV .062-IN-DIA .25-IN-LG STL	28480	1480-0116
	2360-0115	4		SCREW-MACH 6-32 .312-IN-LG PAN-HD=POZI	00000	ORDER BY DESCRIPTION
A73A	03585-66573	8	1	+18, +12V POWER SUPPLY	28480	03585-66573
A73C1	0180-2687	5		CAPACITOR-FXD 47UF+100-10% 100VDC AL	28480	0180-2687
A73C2	0160-3622	8		CAPACITOR-FXD .1UF +80-20% 100VDC CER	26654	2130Y5V100R104Z
A73C3	0180-2686	4		CAPACITOR-FXD 470UF+100-10% 25VDC AL	28480	0180-2686
A73C4	0160-3456	6		CAPACITOR-FXD 1000PF +-10% 1KVDC CER	28480	0160-3456
A73C5	0180-0116	1		CAPACITOR-FXD 6.8UF+-10% 35VDC TA	56289	150D685X903582
A73C6	0180-0309	4		CAPACITOR-FXD 4.7UF+-20% 10VDC TA	56289	150D475X0010A2
A73C7	0160-3622	8		CAPACITOR-FXD .1UF +80-20% 100VDC CER	26654	2130Y5V100R104Z
A73C8	0180-0309	4		CAPACITOR-FXD 4.7UF+-20% 10VDC TA	56289	150D475X0010A2
A73C9	0160-0300	3		CAPACITOR-FXD 2700PF +-10% 200VDC POLYE	28480	0160-0300
A73C10	0180-0116	1		CAPACITOR-FXD 6.8UF+-10% 35VDC TA	56289	150D685X903582
A73C11	0160-2055	9		CAPACITOR-FXD .01UF +80-20% 100VDC CER	28480	0160-2055
A73C12	0160-3456	6		CAPACITOR-FXD 1000PF +-10% 1KVDC CER	28480	0160-3456
A73C13	0160-3622	8		CAPACITOR-FXD .1UF +80-20% 100VDC CER	26654	2130Y5V100R104Z
A73C14	0160-3456	6		CAPACITOR-FXD 1000PF +-10% 1KVDC CER	28480	0160-3456
A73C15	0160-3622	8		CAPACITOR-FXD .1UF +80-20% 100VDC CER	26654	2130Y5V100R104Z
A73CR1	1901-0040	1		DIODE-SWITCHING 30V 50MA 2NS DO-35	28480	1901-0040
A73CR2	1902-0202	9		DIODE-ZNR 15V 5% DO-15 PD=1W TC=+.057%	28480	1902-0202
A73CR3	1990-0598	1		LED-VISIBLE LUM-INT=800UCD IF=60MA=MAX	28480	5082-4190
A73CR4	1901-0026	3		DIODE-PWR RECT 200V 750MA DO-29	28480	1901-0026
A73CR5	1990-0597	0		LED-VISIBLE LUM-INT=1MCD IF=60MA=MAX	28480	5082-4150
A73F1	2110-0043	8		FUSE 1.5A 250V FAST-BLO 1.25X.25 UL IEC	28480	2110-0043
A73L1	9140-0244	1			28480	9140-0244
A73Q1	1853-0086	2		TRANSISTOR PNP SI PD=310MW FT=40MHZ	27014	2N5087
A73Q2	1854-0022	8		TRANSISTOR NPN SI TQ=39 PD=700MW	07263	S17843
A73Q3	1854-0215	1		TRANSISTOR NPN SI PD=350MW FT=300MHZ	04713	2N3904
A73Q4	1854-0215	1		TRANSISTOR NPN SI PD=350MW FT=300MHZ	04713	2N3904

See introduction to this section for ordering information  
 \*Indicates factory selected value

**Table 9-3. Replaceable Parts (Cont'd)**

Reference Designation	HP Part Number	C D	Qty	Description	Mfr Code	Mfr Part Number		
A73R1	0811-1826	1		RESISTOR .05 10% 3W PW TC=0+-200	28480	0811-1826		
A73R2	0757-0404	3	1	RESISTOR 130 1% .125W F TC=0+-100	24546	C4-1/8-T0-131-F		
A73R3	0687-1021	3	2	RESISTOR 1K 10% .5W CC TC=0+647	01121	E81021		
A73R4	0683-1025	9		RESISTOR 1K 5% .25W FC TC=-400/+600	01121	C81025		
A73R5	0757-0449	6		RESISTOR 20K 1% .125W F TC=0+-100	24546	C4-1/8-T0-2002-F		
A73R7	0683-1505	0		RESISTOR 15 5% .25W FC TC=-400/+500	01121	C81505		
A73R8	0683-1505	0		RESISTOR 15 5% .25W FC TC=-400/+500	01121	C81505		
A73R9	0683-1505	0		RESISTOR 15 5% .25W FC TC=-400/+500	01121	C81505		
A73R10	0683-1505	0		RESISTOR 15 5% .25W FC TC=-400/+500	01121	C81505		
A73R11	0683-1025	9		RESISTOR 1K 5% .25W FC TC=-400/+600	01121	C81025		
A73R12	0683-1025	9		RESISTOR 1K 5% .25W FC TC=-400/+600	01121	C81025		
A73R13	0683-1035	1		RESISTOR 10K 5% .25W FC TC=-400/+700	01121	C81035		
A73R14	0683-1035	1		RESISTOR 10K 5% .25W FC TC=-400/+700	01121	C81035		
A73R15	0757-0442	9		RESISTOR 10K 1% .125W F TC=0+-100	24546	C4-1/8-T0-1002-F		
A73R16	0683-1515	2		RESISTOR 150 5% .25W FC TC=-400/+600	01121	C81515		
A73R17	0683-1035	1		RESISTOR 10K 5% .25W FC TC=-400/+700	01121	C81035		
A73R18	0683-1035	1		RESISTOR 10K 5% .25W FC TC=-400/+700	01121	C81035		
A73R19	0683-1015	7		RESISTOR 100 5% .25W FC TC=-400/+500	01121	C81015		
A73R20	0698-6704	2		RESISTOR 24.9K .25% .125W F TC=0+-100	28480	0698-6704		
A73R22	0683-6825	7		RESISTOR 6.8K 5% .25W FC TC=-400/+700	01121	C86825		
A73R23	0683-1525	4		RESISTOR 1.5K 5% .25W FC TC=-400/+700	01121	C81525		
A73R24	0683-4725	2		RESISTOR 4.7K 5% .25W FC TC=-400/+700	01121	C84725		
A73R25	0683-1035	1		RESISTOR 10K 5% .25W FC TC=-400/+700	01121	C81035		
A73R26	0683-1035	1		RESISTOR 10K 5% .25W FC TC=-400/+700	01121	C81035		
A73R27	0683-2725	8		RESISTOR 2.7K 5% .25W FC TC=-400/+700	01121	C82725		
A73R28	0683-3915	0		RESISTOR 390 5% .25W FC TC=-400/+600	01121	C83915		
A73R29	0683-1025	9		RESISTOR 1K 5% .25W FC TC=-400/+600	01121	C81025		
A73R30	0683-2725	8		RESISTOR 2.7K 5% .25W FC TC=-400/+700	01121	C82725		
A73R31	0683-4725	2		RESISTOR 4.7K 5% .25W FC TC=-400/+700	01121	C84725		
A73R32	0698-3228	9		RESISTOR 49.9K 1% .125W F TC=0+-100	28480	0698-3228		
A73TP1	0360-0124	3		CONNECTOR-SGL CONT PIN .04-IN-BSC-SZ RND	28480	0360-0124		
A73U1	1813-0083	5	1	IC TO-66	12969	PIC601		
A73U2	1826-0026	3		COMPARATOR PRCN TO-99	04713	MLM311G		
A73U3	1826-0026	3		COMPARATOR PRCN TO-99	04713	MLM311G		
A73U4	1820-1199	1		IC INV TTL LS HEX 1-INP	01295	SN74LS04N		
A73U5	1820-1112	8		IC FF TTL LS D-TYPE POS=EDGE=TRIG	01295	SN74LS74N		
				<b>A73 MISCELLANEOUS PARTS</b>				
				03582-01103	1	HEAT SINK	28480	03582-01103
				1205-0247	4	HEAT SINK TO-66-PKG	28480	1205-0247
				1251-2551	4	CONNECTOR-SGL CONT SKT .031-IN-BSC-8Z	28480	1251-2551
				2110-0269	0	FUSEHOLDER-CLIP TYPE,250-FUSE	28480	2110-0269
				4040-0751	8	EXTR-PC BD DRN POLYC .062-BD=THKN8	28480	4040-0751
				4040-0755	2	EXTR-PC BD VID POLYC .062-BD=THKN8	28480	4040-0755
				0590-1054	7	THREADED INSERT-NUT 6-32 .065-LG SST	28480	0590-1054
				1480-0116	8	PIN=GRV .062-IN-DIA .25-IN-LG STL	28480	1480-0116
				2200-0103	2	SCREW=MACH 4-40 .25-IN-LG PAN=HD=POZI	00000	ORDER BY DESCRIPTION
				2360-0117	6	SCREW=MACH 6-32 .375-IN-LG PAN=HD=POZI	00000	ORDER BY DESCRIPTION
				2360-0115	4	SCREW=MACH 6-32 .312-IN-LG PAN=HD=POZI	00000	ORDER BY DESCRIPTION
A74	03585-66574	9	1	POWER SUPPLY, -18V	28480	03585-66574		
A74C1	0180-0309	4		CAPACITOR-FXD 4.7UF+-20% 10VDC TA	56289	150D475X0010A2		
A74C2	0180-0309	4		CAPACITOR-FXD 4.7UF+-20% 10VDC TA	56289	150D475X0010A2		
A74C3	0160-3622	8		CAPACITOR-FXD .1UF +80-20% 100VDC CER	26654	2130Y5V100R104Z		
A74C4	0180-0116	1		CAPACITOR-FXD 6.8UF+-10% 35VDC TA	56289	150D685X9035B2		
A74C5	0160-0300	3		CAPACITOR-FXD 2700PF +-10% 200VDC POLYE	28480	0160-0300		
A74C6	0160-2204	0		CAPACITOR-FXD 100PF +-5% 300VDC MICA	28480	0160-2204		
A74C7	0160-2055	9		CAPACITOR-FXD .01UF +80-20% 100VDC CER	28480	0160-2055		
A74C8	0160-3622	8		CAPACITOR-FXD .1UF +80-20% 100VDC CER	26654	2130Y5V100R104Z		
A74C9	0160-3456	6		CAPACITOR-FXD 1000PF +-10% 1KVDC CER	28480	0160-3456		
A74C10	0160-3456	6		CAPACITOR-FXD 1000PF +-10% 1KVDC CER	28480	0160-3456		
A74C11	0180-0309	4		CAPACITOR-FXD 4.7UF+-20% 10VDC TA	56289	150D475X0010A2		
A74C12	0180-2687	5		CAPACITOR-FXD 47UF+100-10% 100VDC AL	28480	0180-2687		
A74C13	0160-3622	8		CAPACITOR-FXD .1UF +80-20% 100VDC CER	26654	2130Y5V100R104Z		
A74C14	0180-2686	4		CAPACITOR-FXD 470UF+100-10% 25VDC AL	28480	0180-2686		
A74C15	0160-3622	8		CAPACITOR-FXD .1UF +80-20% 100VDC CER	26654	2130Y5V100R104Z		
A74C16	0160-3456	6		CAPACITOR-FXD 1000PF +-10% 1KVDC CER	28480	0160-3456		
A74CR1	1990-0597	0		LED-VISIBLE LUM=INT*1MCD IF=60MA=MAX	28480	5082-4150		
A74CR2	1901-0040	1		DIODE-SWITCHING 30V 50MA 2NS DO-35	28480	1901-0040		
A74CR3	1902-0202	9		DIODE-ZNR 15V 5% DO-15 PD=1W TC=+.057%	28480	1902-0202		
A74CR4	1990-0598	1		LED-VISIBLE LUM=INT*800UCD IF=60MA=MAX	28480	5082-4190		
A74CR5	1901-0026	3		DIODE-PWR RECT 200V 750MA DO-29	28480	1901-0026		

See introduction to this section for ordering information  
 \*Indicates factory selected value

Table 9-3. Replaceable Parts (Cont'd)

Reference Designation	HP Part Number	C D	Qty	Description	Mfr Code	Mfr Part Number
A74F1	2110-0043	8		FUSE 1.5A 250V FAST-BLO 1.25X.25 UL IEC	28480	2110-0043
A74L1	9140-0244	1			28480	9140-0244
A74Q1	1854-0215	1		TRANSISTOR NPN SI PD=350MW FT=300MHZ	04713	2N3904
A74Q2	1854-0215	1		TRANSISTOR NPN SI PD=350MW FT=300MHZ	04713	2N3904
A74Q3	1853-0210	4	1	TRANSISTOR PNP SI TO-39 PD=1W FT=50MHZ	28480	1853-0210
A74R1	0683-1505	0		RESISTOR 15 5X .25W FC TC=-400/+500	01121	CB1505
A74R2	0683-1505	0		RESISTOR 15 5X .25W FC TC=-400/+500	01121	CB1505
A74R3	0683-1525	4		RESISTOR 1.5K 5X .25W FC TC=-400/+700	01121	CB1525
A74R4	0683-1525	4		RESISTOR 1.5K 5X .25W FC TC=-400/+700	01121	CB1525
A74R5	0683-2725	8		RESISTOR 2.7K 5X .25W FC TC=-400/+700	01121	CB2725
A74R6	0683-3915	0		RESISTOR 390 5X .25W FC TC=-400/+600	01121	CB3915
A74R7	0683-1025	9		RESISTOR 1K 5X .25W FC TC=-400/+600	01121	CB1025
A74R8	0683-2725	8		RESISTOR 2.7K 5X .25W FC TC=-400/+700	01121	CB2725
A74R9	0683-1525	4		RESISTOR 1.5K 5X .25W FC TC=-400/+700	01121	CB1525
A74R10	0683-1035	1		RESISTOR 10K 5X .25W FC TC=-400/+700	01121	CB1035
A74R11	0683-1035	1		RESISTOR 10K 5X .25W FC TC=-400/+700	01121	CB1035
A74R12	0683-4725	2		RESISTOR 4.7K 5X .25W FC TC=-400/+700	01121	CB4725
A74R13	0683-1025	9		RESISTOR 1K 5X .25W FC TC=-400/+600	01121	CB1025
A74R14	0683-1035	1		RESISTOR 10K 5X .25W FC TC=-400/+700	01121	CB1035
A74R15	0683-1035	1		RESISTOR 10K 5X .25W FC TC=-400/+700	01121	CB1035
A74R16	0683-1025	9		RESISTOR 1K 5X .25W FC TC=-400/+600	01121	CB1025
A74R17	0683-1015	7		RESISTOR 100 5X .25W FC TC=-400/+500	01121	CB1015
A74R18	0683-1035	1		RESISTOR 10K 5X .25W FC TC=-400/+700	01121	CB1035
A74R19	0683-1015	7		RESISTOR 100 5X .25W FC TC=-400/+500	01121	CB1015
A74R20	0683-1505	0		RESISTOR 15 5X .25W FC TC=-400/+500	01121	CB1505
A74R21	0683-1505	0		RESISTOR 15 5X .25W FC TC=-400/+500	01121	CB1505
A74R22	0683-1035	1		RESISTOR 10K 5X .25W FC TC=-400/+700	01121	CB1035
A74R23	0757-0442	9		RESISTOR 10K 1X .125W F TC=0+-100	24546	C4-1/8-T0-1002-F
A74R24	0683-1035	1		RESISTOR 10K 5X .25W FC TC=-400/+700	01121	CB1035
A74R25	0683-4715	0		RESISTOR 470 5X .25W FC TC=-400/+600	01121	CB4715
A74R26	0683-4705	8		RESISTOR 47 5X .25W FC TC=-400/+500	01121	CB4705
A74R27	0698-3582	8		RESISTOR 41.2K 1X .125W F TC=0+-100	24546	C4-1/8-T0=4122-F
A74R28	0757-0284	7		RESISTOR 150 1X .125W F TC=0+-100	24546	C4-1/8-T0=151-F
A74R29	0811-1826	1		RESISTOR .05 10X 3W PW TC=0+-200	28480	0811-1826
A74R30	0687-1021	3		RESISTOR 1K 10X .5W CC TC=0+647	01121	EB1021
A74FP1	0360-0124	3		CONNECTOR-SGL CONT PIN .04-IN-BSC-SZ RND	28480	0360-0124
A74U1	1820-1199	1		IC INV TTL LS HEX 1-INP	01295	SN74LS04N
A74U2	1820-1112	8		IC FF TTL LS D-TYPE POS-EDGE-TRIG	01295	SN74LS74N
A74U3	1826-0026	3		COMPARATOR PRCN TO-99	04713	MLM311G
A74U4	1826-0026	3		COMPARATOR PRCN TO-99	04713	MLM311G
A74U5	1813-0084	6	1	IC TO-66	12969	PIC611
				A74 MISCELLANEOUS PARTS		
	03582-01103	1		HEAT SINK	28480	03582-01103
	1205-0247	4		HEAT SINK TO-66-PKG	28480	1205-0247
	1251-2551	4		CONNECTOR-SGL CONT SKT .033-IN-B3C-8Z	28480	1251-2551
	2110-0269	0		FUSEHOLDER-CLIP TYPE.25D-FUSE	28480	2110-0269
	4040-0752	9		EXTR-PC BD YEL POLYC .062-BD-TMKNS	28480	4040-0752
	4040-0755	2		EXTR-PC BD VIO POLYC .062-BD-TMKNS	28480	4040-0755
	2360-0295	1	1	SCREW-MACH 6-32 .312-IN-LG PAN=HD-PHL	28480	2360-0295
	0590-1054	7		THREADED INSERT-NUT 6-32 .065-LG SST	28480	0590-1054
	1480-0116	8		PIN=GRV .062-IN-DIA .25-IN-LG STL	28480	1480-0116
	2360-0117	6		SCREW=MACH 6-32 .375-IN-LG PAN=HD-POZI	00000	ORDER BY DESCRIPTION
	2200-0103	2		SCREW=MACH 4-40 .25-IN-LG PAN=HD-POZI	00000	ORDER BY DESCRIPTION
A75	03585-66575	0	1	POWER SUPPLY CONTROL	28480	03585-66575
A75C1	0180-1748	7	1	CAPACITOR-FXD 45UF+50-10X 250VDC AL	56289	39D456F250FL4
A75C2	0180-2216	6	2	CAPACITOR-FXD 350UF+75-10X 16VDC AL	56289	30D357G016DM2
A75C3	0180-2216	6		CAPACITOR-FXD 350UF+75-10X 16VDC AL	56289	30D357G016DM2
A75C4	0180-0228	6		CAPACITOR-FXD 22UF+-10X 15VDC TA	56289	150D226X9015B2
A75C5	0180-0228	6		CAPACITOR-FXD 22UF+-10X 15VDC TA	56289	150D226X9015B2
A75C6	0180-0141	2		CAPACITOR-FXD 50UF+75-10X 50VDC AL	56289	30D506G050DD2
A75C7	0180-0141	2		CAPACITOR-FXD 50UF+75-10X 50VDC AL	56289	30D506G050DD2
A75C8	0180-0291	3		CAPACITOR-FXD 1UF+-10X 35VDC TA	56289	150D105X9035A2
A75C9	0180-0228	6		CAPACITOR-FXD 22UF+-10X 15VDC TA	56289	150D226X9015B2
A75C10	0160-2373	4	1	CAPACITOR-FXD 4700PF +-2X 300VDC MICA	28480	0160-2373
A75C11	0160-3622	8		CAPACITOR-FXD .1UF +80-20X 100VDC CER	26654	2130Y5V100R104Z
A75CR1	1906-0069	4	2	DIODE-FW BRDG 400V 1A	28480	1906-0069
A75CR2	1906-0069	4		DIODE-FW BRDG 400V 1A	28480	1906-0069
A75CR3	1901-0026	3		DIODE=PWR RECT 200V 750MA DO-29	28480	1901-0026
A75CR4	1901-0026	3		DIODE=PWR RECT 200V 750MA DO-29	28480	1901-0026
A75CR5	1901-0026	3		DIODE=PWR RECT 200V 750MA DO-29	28480	1901-0026

See introduction to this section for ordering information  
 \*Indicates factory selected value

**Table 9-3. Replaceable Parts (Cont'd)**

Reference Designation	HP Part Number	C D	Qty	Description	Mfr Code	Mfr Part Number	
A75CR6	1901-0026	3	1	DIODE-PWR RECT 200V 750MA DO-29	28480	1901-0026	
A75CR7	1902-3073	8		DIODE-ZNR 4.32V 5% DO-7 PD=.4W TC=+.035%	28480	1902-3073	
A75CR8	1901-0040	1		DIODE-SWITCHING 30V 50MA 2NS DO-35	28480	1901-0040	
A75CR9	1901-0026	3		DIODE-PWR RECT 200V 750MA DO-29	28480	1901-0026	
A75CR10	1901-0026	3		DIODE-PWR RECT 200V 750MA DO-29	28480	1901-0026	
A75CR11	1902-0557	7	2	DIODE-ZNR 24.3V 5% DO-15 PD=1W TC=+.078%	28480	1902-0557	
A75CR12	1902-0557	7		DIODE-ZNR 24.3V 5% DO-15 PD=1W TC=+.078%	28480	1902-0557	
A75CR13	1901-0040	1		DIODE-SWITCHING 30V 50MA 2NS DO-35	28480	1901-0040	
A75CR14	1901-0026	3		DIODE-PWR RECT 200V 750MA DO-29	28480	1901-0026	
A75CR15	1901-0026	3		DIODE-PWR RECT 200V 750MA DO-29	28480	1901-0026	
A75CR16	1902-0777	3	1	DIODE-ZNR 1N825 6.2V 5% DO-7 PD=.4W	04713	1N825	
A75CR17	1902-3205	8		DIODE-ZNR 15V 5% DO-7 PD=.4W TC=+.057%	28480	1902-3205	
A75CR18	1901-0040	1		DIODE-SWITCHING 30V 50MA 2NS DO-35	28480	1901-0040	
A75CR19	1901-0040	1		DIODE-SWITCHING 30V 50MA 2NS DO-35	28480	1901-0040	
A75CR20	1901-0040	1		DIODE-SWITCHING 30V 50MA 2NS DO-35	28480	1901-0040	
A75CR21	1884-0052	7	1	THYRISTOR-SCR VRRM=60	01295	TIC45	
A75F1	2110-0004	1	1	FUSE .25A 250V FAST-BLO 1.25X.25 UL IEC	28480	2110-0004	
A75Q1	1854-0216	2	1	TRANSISTOR NPN 2N3441 SI TO-66 PD=25W	01928	2N3441	
A75Q2	1853-0323	0	1	TRANSISTOR PNP 2N4900 SI TO-66 PD=25W	04713	2N4900	
A75R1	0683-2035	3	2	RESISTOR 20K 5% .25W FC TC=400/+800	01121	CB2035	
A75R2	0764-0042	0		RESISTOR 2.2K 5% 2W MO TC=0/+200	28480	0764-0042	
A75R3	0683-1005	5		RESISTOR 10 5% .25W FC TC=400/+500	01121	CB1005	
A75R4	0764-0042	0		RESISTOR 2.2K 5% 2W MO TC=0/+200	28480	0764-0042	
A75R5	0683-1005	5		RESISTOR 10 5% .25W FC TC=400/+500	01121	CB1005	
A75R6	0698-4426	1	1	RESISTOR 1.58K 1% .125W F TC=0/+100	24546	C4=1/8-T0=1581-F	
A75R7	0757-0161	9		RESISTOR 604 1% .125W F TC=0/+100	24546	C4=1/8-T0=604R-F	
A75R8	0757-0443	0		RESISTOR 11K 1% .125W F TC=0/+100	24546	C4=1/8-T0=1102-F	
A75R9	2100-3109	2		RESISTOR-TRMR 2K 10% C SIDE-ADJ 17-TRN	02111	43P202	
A75R10	0698-3279	0		RESISTOR 4.99K 1% .125W F TC=0/+100	24546	C4=1/8-T0=4991-F	
A75R11	0698-6678	9	2	RESISTOR 15K .5% .125W F TC=0/+50	28480	0698-6678	
A75R12	0698-6678	9		RESISTOR 15K .5% .125W F TC=0/+50	28480	0698-6678	
A75R13	0687-1841	5	1	RESISTOR 180K 10% .5W CC TC=0/+882	01121	EB1841	
A75R14	0683-1005	5	5	RESISTOR 10 5% .25W FC TC=400/+500	01121	CB1005	
A75R15	2100-3056	8		RESISTOR-TRMR 5K 10% C SIDE-ADJ 17-TRN	02111	43P502	
A75R16	0698-4482	9	1	RESISTOR 17.4K 1% .125W F TC=0/+100	03888	PME55-1/8-T0=1742-F	
A75R17	0683-1025	9		RESISTOR 1K 5% .25W FC TC=400/+600	01121	CB1025	
A75R18	0757-0455	4	1	RESISTOR 36.5K 1% .125W F TC=0/+100	24546	C4=1/8-T0=3652-F	
A75R19	0757-0464	5	1	RESISTOR 90.9K 1% .125W F TC=0/+100	24546	C4=1/8-T0=9092-F	
A75R20	0757-0449	6		RESISTOR 20K 1% .125W F TC=0/+100	24546	C4=1/8-T0=2002-F	
A75R21	0683-1025	9	1	RESISTOR 1K 5% .25W FC TC=400/+600	01121	CB1025	
A75R22	0683-1025	9		RESISTOR 1K 5% .25W FC TC=400/+600	01121	CB1025	
A75R23	0683-1035	1		RESISTOR 10K 5% .25W FC TC=400/+700	01121	CB1035	
A75R24	0683-1035	1		RESISTOR 10K 5% .25W FC TC=400/+700	01121	CB1035	
A75R25	0683-1035	1		RESISTOR 10K 5% .25W FC TC=400/+700	01121	CB1035	
A75R26	0683-4715	0	1	RESISTOR 470 5% .25W FC TC=400/+600	01121	CB4715	
A75R27	0683-1035	1		RESISTOR 10K 5% .25W FC TC=400/+700	01121	CB1035	
A75S1	3103-0015	0	1	SWITCH-THRM FXD +75C 6A OPN-ON-RISE	28480	3103-0015	
A75TP1-2	0360-0124	3		CONNECTOR-SGL CONT PIN .04-IN-BSC-SZ RND	28480	0360-0124	
A75U1	1820-0429	8		1	IC V RGLTR TO-39	18324	LM309H
A75U2	1826-0220	9		1	IC V RGLTR TO-39	27014	LM320H-05
A75U3	1820-0203	6		2	OP AMP GP TO-99	01928	CA741CT
A75U4	1820-0203	6	OP AMP GP TO-99		01928	CA741CT	
A75U5	1826-0026	3	COMPARATOR PRCN TO-99		04713	LM311G	
A75U6	1820-1201	6	1	IC GATE TTL LS AND QUAD 2-INP	01295	SN74LS08N	
				A75 MISCELLANEOUS PARTS			
	0340-0162	7	2	INSULATOR-XSTR ALUMINUM	28480	0340-0162	
	03585-01103	4		1	HEAT SINK, A75	28480	03585-01103
	1205-0011	0	0	HEAT SINK TO-5/TO-39-PKG	28480	1205-0011	
	2110-0269	0		1	FUSEHOLDER-CLIP TYPE, 25D-FUSE	28480	2110-0269
	4040-0753	0	2	EXTR-PC BD GRN POLYC .062-BD-THKNS	28480	4040-0753	
	4040-0755	2		EXTR-PC BD VIO POLYC .062-BD-THKNS	28480	4040-0755	
	0590-1054	7		1	THREADED INSERT-NUT 6-32 .065-LG SST	28480	0590-1054
	1480-0116	8		1	PIN-GRV .062-IN-DIA .25-IN-LG STL	28480	1480-0116
	2360-0115	4		1	SCREW-MACH 6-32 .312-IN-LG PAN-RO-POZI	00000	ORDER BY DESCRIPTION
	2420-0003	7	8	NUT-HEX-DBL-CHAM 6-32-TMD .094-IN-THK	00000	ORDER BY DESCRIPTION	
	2190-0918	4		9	WASHER-LK HLCL NO. 6 .141-IN-ID	28480	2190-0918
	3050-0066	8		6	WASHER-FL MTLG NO. 6 .147-IN-ID	28480	3050-0066
	8150-0038	1		1	WIRE 22AWG Y 300V PVC 7X30 80C	28480	8150-0038

See introduction to this section for ordering information  
\*Indicates factory selected value

Table 9-3. Replaceable Parts (Cont'd)

Reference Designation	HP Part Number	C D	Qty	Description	Mfr Code	Mfr Part Number
A76	03585-66576	1	1	POWER DISTRIBUTION BOARD	28480	03585-66576
A76C1	0180-0291	3		CAPACITOR-FXD 1UF+-10% 35VDC TA	56289	150D105X9035A2
A76C2	0180-0291	3		CAPACITOR-FXD 1UF+-10% 35VDC TA	56289	150D105X9035A2
A76C3	0180-0049	9	1	CAPACITOR-FXD 20UF+75-10% 50VDC AL	56289	30D206G050C2
A76C4	0180-0291	3		CAPACITOR-FXD 1UF+-10% 35VDC TA	56289	150D105X9035A2
A76C5	0180-0291	3		CAPACITOR-FXD 1UF+-10% 35VDC TA	56289	150D105X9035A2
A76C6	0180-0291	3		CAPACITOR-FXD 1UF+-10% 35VDC TA	56289	150D105X9035A2
A76C7	0180-0291	3		CAPACITOR-FXD 1UF+-10% 35VDC TA	56289	150D105X9035A2
A76CR1	1901-0026	3		DIODE-PWR RECT 200V 750MA DO-29	28480	1901-0026
A76CR2	1901-0026	3		DIODE-PWR RECT 200V 750MA DO-29	28480	1901-0026
A76CR3	1901-0026	3		DIODE-PWR RECT 200V 750MA DO-29	28480	1901-0026
A76CR4	1901-0662	3		DIODE-PWR RECT 100V 6A	04713	MR751
A76CR6	1902-0909	3	1	DIODE-ZNR 1N2972A 8.2V 10% DO-4 PD=10W	04713	1N2972A
A76J1	1251-3196	5	1	CONNECTOR 8-PIN M POST TYPE	28480	1251-3196
A76J2	1251-3475	3		CONNECTOR 10-PIN M POST TYPE	28480	1251-3475
A76J3	1251-3276	2		CONNECTOR 6-PIN M POST TYPE	28480	1251-3276
A76J4	1251-3981	6	1	CONNECTOR 9-PIN M POST TYPE	28480	1251-3981
A76J5	1251-3618	6		CONNECTOR 2-PIN M POST TYPE	28480	1251-3618
A76J6	1251-4659	7		CONNECTOR 14-PIN M POST TYPE	28480	1251-4659
A76J7	1251-3618	6		CONNECTOR 2-PIN M POST TYPE	28480	1251-3618
A76J9	1251-3192	1	1	CONNECTOR 3-PIN M POST TYPE	28480	1251-3192
A76J10	1251-3195	4	1	CONNECTOR 4-PIN M POST TYPE	28480	1251-3195
A76L1	9140-0270	3	1	INDUCTOR FAN	28480	9140-0270
A76R1	0683-4705	8		RESISTOR 47 5% .25W FC TC=-400/+500	01121	C84705
A76T1	9100-4031	8	1	BALUM TRANSFORMER	28480	9100-4031
A76T2	9100-3454	7	1	TRANSFORMER, GROUND ISOLATOR	28480	9100-3454
A76U1	1826-0403	0		IC V RGLTR TO-3	80103	LA8-1815
				A76 MISCELLANEOUS PARTS		
	03585-01212	6	1	BRACKET, HEAT SINK	28480	03585-01212
	0590-0526	6		THREADED INSERT-NUT 4-40 .065-LG SST	28480	0590-0526
	0590-1136	6		THREADED INSERT-NUT 10-32 .125-LG	28480	0590-1136
	1200-0452	3	1	SOCKET-XSTR 2-CONT TO-3 SLDR-EYE	28480	1200-0452
	0590-1054	7		THREADED INSERT-NUT 6-32 .065-LG SST	28480	0590-1054
	0380-0046	0	6	SPACER-RVT-ON .375-IN-LG .152-IN-ID	00000	ORDER BY DESCRIPTION
	1251-0600	0		CONNECTOR-SGL CONT PIN 1,14-MM-BSC-8Z 8Q	28480	1251-0600
	2200-0169	0	2	SCREW-MACH 4-40 .5-IN-LG 82 DEG	00000	ORDER BY DESCRIPTION
	3050-0066	8		WASHER-FL MTLG NO. 6 .147-IN-ID	28480	3050-0066
	2190-0913	9	2	WASHER-LK HLCL NO. 4 .115-IN-ID	28480	2190-0913
	2260-0002	6	2	NUT-HEX=DDL=CHAM 4-40-THD .062-IN-TMK	00000	ORDER BY DESCRIPTION
	2360-0115	4		SCREW-MACH 6-32 .312-IN-LG PAN-HD=POZI	00000	ORDER BY DESCRIPTION
	2360-0195	0	2	SCREW-MACH 6-32 .312-IN-LG PAN-HD=POZI	00000	ORDER BY DESCRIPTION
	0340-0580	3		INSULATOR-XSTR RUBBER RED	28480	0340-0580
	2360-0117	6		SCREW-MACH 6-32 .375-IN-LG PAN-HD=POZI	00000	ORDER BY DESCRIPTION
	3050-0716	5		WASHER-FL MTLG NO. 5 .128-IN-ID	28480	3050-0716
	0360-0053	7	1	TERMINAL-SLDR LUG LK-MTG FOR-#10-SCR	28480	0360-0053
	2190-0918	4		WASHER-LK HLCL NO. 6 .141-IN-ID	28480	2190-0918
A77	03585-66577	2	1	AC PROTECT BOARD	28480	03585-66577
A77C1	0160-2055	9		CAPACITOR-FXD .01UF +80-20% 100VDC CER	28480	0160-2055
A77C2	0160-4603	7	2	CAPACITOR-FXD 1UF +-20% 200VDC MET=POLYP	28480	0160-4603
A77Q1	1884-0272	3	1	THYRISTOR-DIAC TRIG IPK=2A MRCA D=3202Y	0192B	D3202Y
A77Q2	1884-0270	1	1	THYRISTOR-TRIAC 2N5569	0192B	2N5569
A77R1	0698-3228	9		RESISTOR 49.9K 1% .125W F TC=0+-100	28480	0698-3228
A77R2	0757-0454	3		RESISTOR 33.2K 1% .125W F TC=0+-100	24546	C4-1/8-T0-3322-F
A77R3	0757-0454	3		RESISTOR 33.2K 1% .125W F TC=0+-100	24546	C4-1/8-T0-3322-F
				A77 MISCELLANEOUS PARTS		
	2950-0134	8	1	NUT-HEX=DDL=CHAM 1/4-28-THD .125-IN-TMK	00000	ORDER BY DESCRIPTION
	0380-0046	0		SPACER-RVT-ON .375-IN-LG .152-IN-ID	00000	ORDER BY DESCRIPTION
	2190-0027	6	1	WASHER-LK INTL T 1/4 IN .256-IN-ID	28480	2190-0027
A81	03585-66581	8	1	OSCILLATOR BOARD (STD)	28480	03585-66581
A81C1	0180-1794	3		CAPACITOR-FXD 22UF+-10% 35VDC TA	56289	150D226X9035R2
A81C2	0160-3847	9		CAPACITOR-FXD .01UF +100-0% 50VDC CER	28480	0160-3847
A81C3	0160-2222	2	2	CAPACITOR-FXD 1500PF +-5% 300VDC MICA	28480	0160-2222
A81C4	0160-2222	2		CAPACITOR-FXD 1500PF +-5% 300VDC MICA	28480	0160-2222

See introduction to this section for ordering information  
 \*Indicates factory selected value

Table 9-3. Replaceable Parts (Cont'd)

Reference Designation	HP Part Number	C D	Qty	Description	Mfr Code	Mfr Part Number
A81J1	1250-1368	7		CONNECTOR-RF SMB M PC 50-OHM	28480	1250-1368
A81J2	1251-4795	2		CONNECTOR 2-PIN M POST TYPE	28480	1251-4795
A81L1	9100-1618	1		COIL-MLD 5.6UH 10% Q=45 .155DX.375LG-NOM	28480	9100-1618
A81L2	9100-2486	3		COIL-MLD 330NH 5% Q=45 .156DX.375LG-NOM	28480	9100-2486
A81Q1	1853-0020	4		TRANSISTOR PNP 8I PD=300MW FT=150MHZ	28480	1853-0020
A81R1	0757-0442	9		RESISTOR 10K 1% .125W F TC=0+-100	24546	C4-1/8-T0-1002-F
A81R2	2100-3207	1		RESISTOR-TRMR 5K 10% C SIDE-ADJ 1-TRN	28480	2100-3207
A81R3	0683-2225	3		RESISTOR 2.2K 5% .25W FC TC=-400/+700	01121	CB2225
A81R4	0683-4705	8		RESISTOR 47 5% .25W FC TC=-400/+500	01121	CB4705
A81R5	0690-6811	6		RESISTOR 680 10% 1W CC TC=0+529	01121	GB6811
A81R6	0683-4705	8		RESISTOR 47 5% .25W FC TC=-400/+500	01121	CB4705
A81R7	0698-3279	0		RESISTOR 4.99K 1% .125W F TC=0+-100	24546	C4-1/8-T0-4991-F
A81R8	0757-0449	6		RESISTOR 20K 1% .125W F TC=0+-100	24546	C4-1/8-T0-2002-F
A81R9	2100-3351	6		RESISTOR-TRMR 500 10% C SIDE-ADJ 1-TRN	28480	2100-3351
A81R10	0698-4442	1		RESISTOR 4.42K 1% .125W F TC=0+-100	24546	C4-1/8-T0-4421-F
A81R11	0757-0449	6		RESISTOR 20K 1% .125W F TC=0+-100	24546	C4-1/8-T0-2002-F
A81R12	0683-1055	5		RESISTOR 1M 5% .25W FC TC=-800/+900	01121	CB1055
A81U1	0960-0465	7		OSCILATOR, HIGH STANDBY	28480	0960-0465
A81U2	1826-0026	3		COMPARATOR PRCN T0-99	04713	MLM311G
				A81 MISCELLANEOUS PARTS		
	03585-04132	5	1	INSULATOR, OVEN	28480	03585-04132

See introduction to this section for ordering information  
 \*Indicates factory selected value

**Table 9-3. Replaceable Parts (Cont'd)**

Reference Designation	HP Part Number	C D	Qty	Description	Mfr Code	Mfr Part Number
				<b>HARDWARE LIST</b>		
	0380-0640	0	2	STANDOFF-RND .5-IN-LG 6-32THD .25-IN-OD	00000	ORDER BY DESCRIPTION
	0400-0018	0		GROMMET-CHAN NCH .052-IN-THK-PNL	28480	0400-0018
	0590-1059	2	30	THREADED INSERT-STDF 4=40 .188-LG	28480	0590-1059
	0890-0025	6		SPIRAL WRAP .188-2-DIA POLYETH	28480	0890-0025
	0510-0015	0	2	RETAINER-RING E-R EXT .125-IN-DIA STL	28480	0510-0015
	2260-0009	3		NUT-HEX-W/LKWR 4-40-THD .094-IN-THK	00000	ORDER BY DESCRIPTION
	2190-0016	3	2	WASHER-LK INTL T 3/8 IN .377-IN-ID	28480	2190-0016
	3050-0067	9	1	WASHER-FL MTLK 5/16 IN .375-IN-ID	28480	3050-0067
	2950-0043	8	2	NUT-HEX-DBL-CHAM 3/8-32-THD .094-IN-THK	00000	ORDER BY DESCRIPTION
	0400-0009	9	4	GROMMET-RND .125-IN-ID .25-IN-GRV-OD	28480	0400-0009
	2200-0101	0		SCREW-MACH 4-40 .188-IN-LG PAN-HD-POZI	00000	ORDER BY DESCRIPTION
	2190-0060	7	5	WASHER-LK INTL T 1/4 IN .256-IN-ID	28480	2190-0060
	2950-0072	3	5	NUT-HEX-DBL-CHAM 1/4-32-THD .062-IN-THK	00000	ORDER BY DESCRIPTION
	2190-0068	5	2	WASHER-LK INTL T 1/2 IN .505-IN-ID	28480	2190-0068
	2950-0054	1	3	NUT-HEX-DBL-CHAM 1/2-28-THD .125-IN-THK	00000	ORDER BY DESCRIPTION
	2190-0014	1	2	WASHER-LK INTL T NO. 2 .089-IN-ID	28480	2190-0014
	0610-0001	6	2	NUT-HEX-DBL-CHAM 2=56-THD .062-IN-THK	00000	ORDER BY DESCRIPTION
	0360-0042	4	1	TERMINAL-SLDR LUG PL-MTG FOR-#6-SCR	28480	0360-0042
	1400-0090	9	1	WASHER-RUBBER 5/8" OD	00000	080
	2190-0037	8	1	WASHER-LK INTL T 1/2 IN .512-IN-ID	28480	2190-0037
	2360-0139	2	4	SCREW-MACH 6-32 2-IN-LG PAN-HD-POZI	00000	ORDER BY DESCRIPTION
	2420-0001	5	4	NUT-HEX-W/LKWR 6=32-THD .109-IN-THK	00000	ORDER BY DESCRIPTION
	1400-0024	9	1	CLAMP-CABLE .25-DIA .5-WD NYL	28480	1400-0024
	2360-0121	2	9	SCREW-MACH 6-32 .5-IN-LG PAN-HD-POZI	00000	ORDER BY DESCRIPTION
	3050-0066	8		WASHER-FL MTLK NO. 6 .147-IN-ID	28480	3050-0066
	2190-0918	4		WASHER-LK HLCL NO. 6 .141-IN-ID	28480	2190-0918
	2420-0003	7		NUT-HEX-DBL-CHAM 6=32-THD .094-IN-THK	00000	ORDER BY DESCRIPTION
	2190-0034	5	4	WASHER-LK HLCL NO. 10 .194-IN-ID	28480	2190-0034
	2360-0113	2	9	SCREW-MACH 6-32 .25-IN-LG PAN-HD-POZI	00000	ORDER BY DESCRIPTION
	2580-0004	6	4	NUT-HEX-DBL-CHAM 8=32-THD .125-IN-THK	00000	ORDER BY DESCRIPTION
	2190-0099	2	13	WASHER-LK INTL T 7/16 IN .472-IN-ID	28480	2190-0099
	2950-0035	8	13	NUT-HEX-DBL-CHAM 15/32-32-THD	00000	ORDER BY DESCRIPTION
	2360-0117	6		SCREW-MACH 6-32 .375-IN-LG PAN-HD-POZI	00000	ORDER BY DESCRIPTION
	2360-0115	4		SCREW-MACH 6-32 .312-IN-LG PAN-HD-POZI	00000	ORDER BY DESCRIPTION
	2360-0207	5	1	SCREW-MACH 6-32 .875-IN-LG PAN-HD-POZI	00000	ORDER BY DESCRIPTION
	2360-0123	4	5	SCREW-MACH 6-32 .625-IN-LG PAN-HD-POZI	00000	ORDER BY DESCRIPTION
	2200-0103	2		SCREW-MACH 4-40 .25-IN-LG PAN-HD-POZI	00000	ORDER BY DESCRIPTION
	2200-0103	2		SCREW-MACH 4-40 .25-IN-LG PAN-HD-POZI	00000	ORDER BY DESCRIPTION
	2360-0197	2	2	SCREW-MACH 6-32 .375-IN-LG PAN-HD-POZI	00000	ORDER BY DESCRIPTION
	3050-0010	2	2	WASHER-FL MTLK NO. 6 .147-IN-ID	28480	3050-0010
	2200-0111	2	16	SCREW-MACH 4-40 .5-IN-LG PAN-HD-POZI	00000	ORDER BY DESCRIPTION
	1400-0290	1	1	BRACKET-RTANG .5-LG X .578-LG .5-WD STL	28480	1400-0290
	2360-0193	8		SCREW-MACH 6-32 .25-IN-LG PAN-HD-POZI	00000	ORDER BY DESCRIPTION
	2360-0116	5	15	SCREW-MACH 6-32 .312-IN-LG 82 DEG	00000	ORDER BY DESCRIPTION
	0520-0127	6	2	SCREW-MACH 2-56 .188-IN-LG PAN-HD-POZI	00000	ORDER BY DESCRIPTION
	0360-0001	5	2	TERMINAL-SLDR LUG LK-MTG FOR-#6-SCR	28480	0360-0001
	2260-0003	7	2	NUT-HEX-PLSTC LKG 4-40-THD .141-IN-THK	00000	ORDER BY DESCRIPTION
	2200-0143	0	2	SCREW-MACH 4-40 .375-IN-LG PAN-HD-POZI	00000	ORDER BY DESCRIPTION
	2190-0003	8	2	WASHER-LK HLCL NO. 4 .115-IN-ID	28480	2190-0003
	3050-0016	8	2	WASHER-FL MTLK NO. 6 .147-IN-ID	28480	3050-0016
	2510-0046	9	6	SCREW-MACH 8-32 .375-IN-LG 82 DEG	00000	ORDER BY DESCRIPTION
	3050-0071	5	3	WASHER-FL MTLK NO. 8 .169-IN-ID	28480	3050-0071
	2360-0200	8	3	SCREW-MACH 6-32 .5-IN-LG 100 DEG	00000	ORDER BY DESCRIPTION
	2510-0041	4	23	SCREW-MACH 8-32 .25-IN-LG PAN-HD-POZI	00000	ORDER BY DESCRIPTION
	2510-0045	8	4	SCREW-MACH 8-32 .375-IN-LG PAN-HD-POZI	00000	ORDER BY DESCRIPTION
	2510-0192	6	16	SCREW-MACH 8-32 .25-IN-LG 100 DEG	28480	2510-0192
	0624-0004	8	6	SCREW-TPG 4=24 .375-IN-LG PAN-HD-SLT	00000	ORDER BY DESCRIPTION
	3050-0001	1	2	WASHER-FL MTLK NO. 8 .172-IN-ID	28480	3050-0001
	2200-0107	6	1	SCREW-MACH 4-40 .375-IN-LG PAN-HD-POZI	00000	ORDER BY DESCRIPTION
	2360-0111	0	6	SCREW-MACH 6-32 .188-IN-LG PAN-HD-POZI	00000	ORDER BY DESCRIPTION
	2360-0190	5	2	SCREW-MACH 6-32 .188-IN-LG 100 DEG	00000	ORDER BY DESCRIPTION
	1400-0093	2	1	STRAP-CABLE .438-DIA	28480	1400-0093
	2190-0057	2	4	WASHER-LK INTL T NO. 12 .218-IN-ID	28480	2190-0057
	0360-0368	7	1	TERMINAL-SLDR LUG LK-MTG FOR-#12-SCR	28480	0360-0368
	0520-0128	7	46	SCREW-MACH 2-56 .25-IN-LG PAN-HD-POZI	00000	ORDER BY DESCRIPTION
	2200-0137	2	16	SCREW-MACH 4-40 .188-IN-LG PAN-HD-POZI	00000	ORDER BY DESCRIPTION
	2200-0165	6	13	SCREW-MACH 4-40 .25-IN-LG 82 DEG	00000	ORDER BY DESCRIPTION
	8151-0011	2		WIRE 18AWG 1X1R	28480	8151-0011
	8150-0299	6	2	WIRE 24AWG Y 300V PVC 7X32 80C	28480	8150-0299
	8150-0299	6		WIRE 24AWG Y 300V PVC 7X32 80C	28480	8150-0299

See introduction to this section for ordering information  
 \*Indicates factory selected value



**Table 9-3. Replaceable Parts (Cont'd)**

Reference Designation	HP Part Number	C D	Qty	Description	Mfr Code	Mfr Part Number
	8150-0299	6		WIRE 24AWG Y 300V PVC 7X32 80C	28480	8150-0299
	8150-0301	1	1	WIRE 24AWG R 300V PVC 7X32 80C	28480	8150-0301
	0360-0124	3		CONNECTOR-8GL CONT PIN .04-IN-88C-82 RND	28480	0360-0124
	0520-0133	4	2	SCREW-MACH 2-56 .5-IN-LG PAN-HD-POZI	00000	ORDER BY DESCRIPTION
	0590-0060	3	1	NUT-HEX-DBL-CHAM 12-32-TMD .078-IN-THK	00000	ORDER BY DESCRIPTION
	9211-2934	1	1		28480	9211-2934

See introduction to this section for ordering information  
 \*Indicates factory selected value

**Table 9-3. Replaceable Parts (Cont'd)**

Reference Designation	HP Part Number	C D	Qty	Description	Mfr Code	Mfr Part Number
				MISCELLANEOUS PARTS		
	0340-0618	8	2	INSULATOR MYL/VNL	28480	0340-0618
	03582-04104	8	1	GUARD, FAN SWITCH	28480	03582-04104
	03582-22701	9	1	FILTER, GRAY	28480	03582-22701
	03582-60103	5	1	SHIELD	28480	03582-60103
	03585-00101	0	1	DECK, HVPS	28480	03585-00101
	03585-00105	4	1	DECK, MOUNTING HVPS	28480	03585-00105
	03585-00201	1	1	PANEL, FRONT, TOP	28480	03585-00201
	03585-00202	2	1	SUB-PANEL, FRONT	28480	03585-00202
	03585-00203	3	1	PANEL, REAR	28480	03585-00203
	03585-00302	3	1	COVER, INPUT	28480	03585-00302
	03585-00306	7	1	SHIELD, BOTTOM	28480	03585-00306
	03585-00307	8	1	SHIELD, FRONT	28480	03585-00307
	03585-00308	9	1	SHIELD, REAR	28480	03585-00308
	03585-00310	3	2		28480	03585-00310
	03585-00311	4	1	CLAMP, END	28480	03585-00311
	03585-00601	5	1	DIVIDER-DIGITAL	28480	03585-00601
	03585-01201	3	1	BRACKET B	28480	03585-01201
	03585-01203	5	1	BRACKET, PC BOARD	28480	03585-01203
	03585-01205	7	1	CLAMP, CRT SHIELD	28480	03585-01205
	03585-01206	8	1	BRACKET, CAP C	28480	03585-01206
	03585-01207	9	1	BRACKET, CONNECTOR	28480	03585-01207
	03585-01209	1	1	BOARD GUIDE, DIGITAL	28480	03585-01209
	03585-01210	4	1	CLAMP B, DIGITAL	28480	03585-01210
	03585-01211	5	1	BRACKET-T	28480	03585-01211
	03585-01213	7	1	BRACKET-T MOUNT	28480	03585-01213
	03585-01214	8	1	BRACKET, X-Y-Z COVER	28480	03585-01214
	03585-01216	0	1	BRACKET, REAR, HVPS	28480	03585-01216
	03585-01217	1	1	BRACKET, REAR COVER	28480	03585-01217
	03585-01219	3	1	BRACKET, BAR	28480	03585-01219
	03585-01221	7	1	SUPPORT, CONTROL PANEL	28480	03585-01221
	03585-01222	8	1	BRACKET, CRT BEZEL	28480	03585-01222
	03585-04101	8	1	COVER, HVPS	28480	03585-04101
	03585-04102	9	1	COVER, FRONT IF	28480	03585-04102
	03585-04103	0	1	COVER, REAR IF	28480	03585-04103
	03585-04106	3	1	BRACKET, LO MOUNTING	28480	03585-04106
	03585-04111	0	1	COVER, AD	28480	03585-04111
	03585-04112	1	1	COVER, A67	28480	03585-04112
	03585-04113	2	1	COVER, A67B	28480	03585-04113
	03585-04114	3	1	COVER, REAR FRAME	28480	03585-04114
	03585-04115	4	1	COVER, POWER SUPPLY	28480	03585-04115
	03585-04130	3	1	INSULATOR, HVPS	28480	03585-04130
	03585-04131	4	1	COVER, REAR PANEL	28480	03585-04131
	03585-20302	5	1	NUT, SHOULDERED	28480	03585-20302
	03585-20303	6	1	RETAINER, CONNECTOR	28480	03585-20303
	03585-21203	7	1	BAR, ANALOG MOUNTING	28480	03585-21203
	03585-21204	8	1	DIGITAL, CLAMP-A	28480	03585-21204
	03585-21207	1	1	BAR, INPUT MOUNTING	28480	03585-21207
	03585-21209	3	1	EXTRACTOR, FRONT PANEL, LOWER	28480	03585-21209
	03585-21210	6	1	BAR SUPPORT	28480	03585-21210
	03585-21211	7	1	BAR, PS CLAMP	28480	03585-21211
	03585-21212	8	1	BAR, INPUT SUPPORT	28480	03585-21212
	03585-21214	0	1	CLAMP, POWER SUPPLY	28480	03585-21214
	03585-32404	3	1	WIRE FORM, RF	28480	03585-32404
	03585-60201	7	1	LEFT SIDE ASSEMBLY	28480	03585-60201
	03585-60202	8	1	RIGHT SIDE ASSEMBLY	28480	03585-60202
	03585-60204	0	1	IF SECTION ASSEMBLY	28480	03585-60204
	03585-60205	1	1	TRACK GENERATOR ASSEMBLY	28480	03585-60205
	03585-60206	2	1	LO BOX ASSEMBLY	28480	03585-60206
	03585-60301	8	1	COVER ASSEMBLY	28480	03585-60301
	03585-84401	9	1	KIT ACCESSORY	28480	03585-84401
	03585-86501	4	1	THIRD IF KIT	28480	03585-86501
	03585-90001	8	1	SERVICE MANUAL-A	28480	03585-90001
	03585-90002	9	1	MANUAL ASSEMBLY-A	28480	03585-90002
	0370-1005	2	5	KNOB-BASE=PTR 3/8 JGK .125-IN-ID	28480	0370-1005
	0370-1303	3	1	KNOB-BASE=1-1/8 JGK .25-IN-ID	28480	0370-1303
	0380-0643	3	2	STANDOFF-HEX .255-IN-LG 6-32THD	00000	ORDER BY DESCRIPTION
	0590-0167	1	4	NUT-THUMB 6-32-THD BR3	28480	0590-0167
	0905-0573	2	1	GASKET RND NPRN-FM 1-TMK 2.9-OD 2.15-ID	28480	0905-0573
	09825-67908	8	1	CONNECTOR, GASKET ASSEMBLY	28480	09825-67908
	1250-0102	5	2	CONNECTOR-RF BNC FEM 8GL-HOLE=FR 50-OHM	28480	1250-0102

See introduction to this section for ordering information  
 \*Indicates factory selected value

Table 9-3. Replaceable Parts (Cont'd)

Reference Designation	HP Part Number	C D	Qty	Description	Mfr Code	Mfr Part Number
	1250-1499	5	1	CONNECTOR, BNC	28480	1250-1499
	1251-3982	7	2	CONNECTOR 2-PIN F UTILITY	28480	1251-3982
	1400-0118	2	2	STRAP-CABLE .025-DIA	28480	1400-0118
	1400-0908	8		CLAMP-CABLE .188-DIA .75-WD PVC	06915	KKC-3
	1400-0972	6	1	CLIP-CABLE 0.500 IN CABLE DIA; ADHESIVE	34785	021-0500
	1531-0056	4	1		28480	1531-0056
	2110-0465	8	1	FUSEHOLDER CAP EXTR PST; BAYONET; 20A	28480	2110-0465
	2110-0467	0	1	NUT-HEX 1/2-28 THD 0.688 A/F	75915	903-070
	2110-0470	5	1	FUSEHOLDER BODY EXTR PST; BAYONET; TND	75915	345003-010
	2260-0001	5		NUT-HEX-DBL-CHAM 4-40-THD .094-IN-THK	28480	2260-0001
	2520-0037	9	4	SCREW-MACH 8-32 3-IN-LG RD-HD-SLT STL	00000	ORDER BY DESCRIPTION
	3050-0152	3	4	WASHER-8HLDR NO. 8 .172-IN-ID .438-IN-OD	28480	3050-0152
	3150-0218	4	1	FILTER-AIR 32 STD MESH MEY SCREEN	28480	3150-0218
	4324-0094	4	8		28480	4324-0094
	5001-0441	2	2		28480	5001-0441
	5020-8807	0	1		28480	5020-8807
	5020-8808	1	1		28480	5020-8808
	5020-8838	7	4		28480	5020-8838
	5040-7201	8	4	FOOT(STANDARD)	28480	5040-7201
	5040-7202	9	1	TRIM, TOP	28480	5040-7202
	5040-7783	1	1	SUPPORT, CRT SHIELD	28480	5040-7783
	5040-8336	2	1	STANDOFF	28480	5040-8336
	5040-8399	7	1	BEZEL, CRT	28480	5040-8399
	5041-0310	8	1	KEY, BLANK	28480	5041-0310
	5041-0319	7	19	KEY, BLACK W/LIGHT	28480	5041-0319
	5041-0352	8	5	KEY, BLACK W/LIGHT	28480	5041-0352
	5041-0668	9	1	KEY, START FREQUENCY	28480	5041-0668
	5041-0669	0	1	KEY, STOP FREQUENCY	28480	5041-0669
	5041-0670	3	1	KEY, 1 REG	28480	5041-0670
	5041-0671	4	1	KEY, 2 REG	28480	5041-0671
	5041-0672	5	1	KEY, 3 REG	28480	5041-0672
	5041-0673	6	1	KEY, CENTER FREQUENCY	28480	5041-0673
	5041-0674	7	1	KEY, FREQUENCY SPAN	28480	5041-0674
	5041-0675	8	1	KEY, REFERENCE LEVEL	28480	5041-0675
	5041-0720	4	1	KEY, INSTRUMENT PRESET	28480	5041-0720
	5041-0731	7	1	KEY, OFS SPAN	28480	5041-0731
	5041-0736	2	1	KEY, DB/DIV	28480	5041-0736
	5041-0737	3	1	KEY, REF LEVEL VOLT	28480	5041-0737
	5041-0739	5	1	KEY, MHZ, DBM, V	28480	5041-0739
	5041-0740	8	1	KEY, KHZ, DBV, MV	28480	5041-0740
	5041-0741	9	1	KEY, HZ, DB, UV	28480	5041-0741
	5041-0742	0	1	KEY, SEC	28480	5041-0742
	5041-0743	1	1	KEY, ENTER OFFSET	28480	5041-0743
	5041-0744	2	1	KEY, RANGE	28480	5041-0744
	5041-0745	3	1	KEY, MKR-OFS STEP	28480	5041-0745
	5041-0746	4	1	KEY	28480	5041-0746
	5041-0749	7	1	KEY, 5	28480	5041-0749
	5041-0750	0	1	KEY, 6	28480	5041-0750
	5041-0754	4	1	KEY, 0	28480	5041-0754
	5041-0755	5	1	KEY, DECIMAL	28480	5041-0755
	5041-0756	6	2	KEY, ARROW	28480	5041-0756
	5041-0772	6	1	KEY, LOCAL	28480	5041-0772
	5041-0773	7	1	KEY, FULL SWEEP	28480	5041-0773
	5041-0776	0	1	KEY, CLEAR	28480	5041-0776
	5041-0777	1	1	KEY, MKR CF	28480	5041-0777
	5041-0778	2	1	KEY, MKR REFERENCE LEVEL	28480	5041-0778
	5041-0779	3	1	KEY, MANUAL	28480	5041-0779
	5041-0780	6	1	KEY, OFF	28480	5041-0780
	5041-0781	7	1	KEY, RES BW	28480	5041-0781
	5041-0782	8	1	KEY, VIDEO BW	28480	5041-0782
	5041-0783	9	1	KEY, SWEEP TIME	28480	5041-0783
	5041-0923	9	1	SAVE (OFF)	28480	5041-0923
	5041-0924	0	1	RECALL (ON)	28480	5041-0924
	5041-0939	7	1	KEY, STORE A-B	28480	5041-0939
	5041-0940	0	1	KEY, CLEAR A	28480	5041-0940
	5041-0945	5	1	KEY, CF STEP SIZE	28480	5041-0945
	5041-0958	0	1	KEY, 4 (CAL)	28480	5041-0958
	5041-0959	1	1	KEY, 7 (UPPER RIGHT)	28480	5041-0959
	5041-0960	4	1	KEY, 8 (PLOT 1)	28480	5041-0960
	5041-0961	5	1	KEY, 9 (PLOT 2)	28480	5041-0961
	5060-0467	6	1	CONNECTOR MALE PROBE	28480	5060-0467
	5060-7474	9	1	BEZEL FRAME	28480	5060-7474
	5060-9836	1	1		28480	5060-9836
	5060-9848	5	1		28480	5060-9848

See introduction to this section for ordering information  
 \*Indicates factory selected value

**Table 9-3. Replaceable Parts (Cont'd)**

Reference Designation	HP Part Number	C D	Qty	Description	Mfr Code	Mfr Part Number
	5060-9923	7	2	COVER, SIDE	28480	5060-9923
	5061-2034	9	1	CARD HOLDER	28480	5061-2034
	5083-5789	3	1	CRT TUBE	28480	5083-5789
	7120-1254	1	1	NAMEPLATE .312-IN-WD .54-IN-LG AL	28480	7120-1254
	7120-3416	1	1	LABEL, INFO	28480	7120-3416
	7120-3528	6	1	LABEL, CAUTION	28480	7120-3528
	7120-3530	0	1	LABEL, CAUTION	28480	7120-3530
	7120-6957	1	1	LABEL, INFO	28480	7120-6957
	7120-6958	2	1	LABEL, INFO	28480	7120-6958
	7120-6959	3	1	LABEL, INFO	28480	7120-6959
	7120-7183	7	1	FRONT PANEL INSERT	28480	7120-7183
	7122-0058	5	1	PLATE, SERIAL	28480	7122-0058
	8120-1348	5	1	CABLE ASSY 18AWG 3-CNDCT BLK-JKT	28480	8120-1348
	9320-3883	2	1	INSTRUMENT CARD	28480	9320-3883
	9320-3884	3	1	MP-IB INSTRUMENT CARD	28480	9320-3884

See introduction to this section for ordering information  
 \*Indicates factory selected value

**Table 9-3. Replaceable Parts (Cont'd)**

Reference Designation	HP Part Number	C D	Qty	Description	Mfr Code	Mfr Part Number
CHASSIS PARTS						
A1	03585-66501	2		INPUT ASSEMBLY	28480	03585-66501
A2	03585-66502	3		PC ASSEMBLY, 1ST MIXER	28480	03585-66502
A3	03585-66503	4		100-35 MHZ IF	28480	03585-66503
A4	03585-66504	5		PC ASSEMBLY, 2ND MIXER	28480	03585-66504
A5	03585-66505	6		3RD MIXER	28480	03585-66505
A6A	03585-66506	7		CONNECTOR BOARD	28480	03585-66506
A6B	03585-66506	7		CONNECTOR BOARD	28480	03585-66506
A6C	03585-66506	7		CONNECTOR BOARD	28480	03585-66506
A6D	03585-66506	7		CONNECTOR BOARD	28480	03585-66506
A10	03585-66510	3		ANALOG MOTHER BOARD	28480	03585-66510
A14	03585-66514	7		PC ASSEMBLY, LOG AMPLIFIER	28480	03585-66514
A15	03585-66515	8		VIDEO FILTER & DB BOARD	28480	03585-66515
A16	03585-66516	9		A-DT REGISTER	28480	03585-66516
A21	03585-66521	6		90/10 MHZ/REFERENCE DIVIDER	28480	03585-66521
A22	03585-66522	7		1ST LO VOLTAGE CONTROLLED OSCILLATOR	28480	03585-66522
A23	03585-66523	8		STEP SYN VTO	28480	03585-66523
A24	03585-66524	9		PC ASSEMBLY, BUFFER	28480	03585-66524
A25	03585-66525	0		SM LOOP MIXER	28480	03585-66525
A26	03585-66526	1		STEP PHASE DETECTOR	28480	03585-66526
A27	03585-66527	2		1ST LO VCO CONTROLLER	28480	03585-66527
A28	03585-66528	3		SM LOOP PHASE DETECTOR	28480	03585-66528
A31	03585-66531	8		VTO DIVIDER	28480	03585-66531
A32	03585-66532	9		PC ASSEMBLY, ANALOG	28480	03585-66532
A33	03585-66533	0		PC ASSEMBLY, FFS ACC	28480	03585-66533
A34	03585-66534	1		INTERFACE, REGULATOR	28480	03585-66534
A40	03585-66540	9		DIGITAL MOTHERBOARD	28480	03585-66540
A41	03585-66541	0		PROCESSOR BOARD	28480	03585-66541
A42	03585-66542	1		RAM BOARD	28480	03585-66542
A43	03585-66543	2		ROM BOARD	28480	03585-66543
A44	03585-66544	3		HP-IB INTERFACE	28480	03585-66544
A45	03585-66545	4		I/O BOARD	28480	03585-66545
A46	03585-66546	5		COUNTER	28480	03585-66546
A47	03585-66547	6		ASSEMBLY, KEYBOARD	28480	03585-66547
A50	03585-66550	1		TRACK GENERATOR MOTHERBOARD	28480	03585-66550
A51	03585-66551	2		TRACKING GENERATOR D/A	28480	03585-66551
A52	03585-66552	3		TRACKING GENERATOR OUTPUT	28480	03585-66552
A53	03585-66553	4		TRACKING GENERATOR VCO	28480	03585-66553
A61	03585-66561	4		CLOCK ASSEMBLY	28480	03585-66561
A62	03585-66562	5		X-Y PLOTTER ANALYZER	28480	03585-66562
A63	03585-66563	6		DISPLAY, LOGIC	28480	03585-66563
A64	03585-66564	7		ANALOG DISPLAY	28480	03585-66564
A67	03585-66567	0		X-Y-Z- BOARD	28480	03585-66567
A70	03585-66570	5		POWER SUPPLY BOARD	28480	03585-66570
A71	03585-66571	6		+7.7V POWER SUPPLY	28480	03585-66571
A72	03585-66572	7		POWER SUPPLY, +5V	28480	03585-66572
A73A	03585-66573	8		+18, +12V POWER SUPPLY	28480	03585-66573
A73B	03585-66573	8		+18, +12V POWER SUPPLY	28480	03585-66573
A74	03585-66574	9		POWER SUPPLY, -18V	28480	03585-66574
A75	03585-66575	0		POWER SUPPLY CONTROL	28480	03585-66575
A76	03585-66576	1		POWER DISTRIBUTION BOARD	28480	03585-66576
A77	03585-66577	2		AC PROTECT BOARD	28480	03585-66577
A81	03585-66581	8		OSCILLATOR BOARD (STD)	28480	03585-66581
A201	03585-64201	5		HOUSING, H.V.P.S.	28480	03585-64201
C1	0160-0345	6	5	CAPACITOR=FDTHRU 1000PF GMV 500V CER	01121	FB28-102W
C2	0160-4603	7		CAPACITOR=FXD 1UF +/-20% 200VDC MET-POLYP	28480	0160-4603
CR1	1906-0212	9	1	DIODE=FW BRDG 400V 35A	04713	MDA3504
CR2	1901-0526	8	1	DIODE=FW BRDG 100V 5A	14099	SCAJ1
F1	2110-0003	0	1	FUSE 3A 250V FAST-BLO 1.25X.25 UL IEC	75915	312003
L1	01332-66001	8	1	COIL	28480	01332-66001
L2	01701-66001	5	1	COIL	28480	01701-66001
M1	3160-0306	2	1	FAN-TBAX 120-CFM 19-28VDC 1.5-TMK	23936	4124X
R1	2100-2838	2	1	RESISTOR-VAR CONTROL CCP 20K 10% LIN	28480	2100-2838
R2	2100-3189	8	1	RESISTOR-VAR CONTROL CCP 50K 20% LIN	28480	2100-3189
R3	2100-3705	4	1	RESISTOR-VAR W/SW 10K 10% LIN DPST-NO-NC	01121	70L1N048R103W/1001 8M1TCH
R4	2100-3718	9	1	RESISTOR-VAR CONTROL CP 5K 10% LIN	28480	2100-3718
T1	9100-4060	3	1		28480	9100-4060
U2	1820-0430	1	1	IC 309 V RGLTR TO-3	07263	LM309K
U3	1826-0402	9	1	IC V RGLTR TO-3	80103	LA8-1515
U13	09825-67907	7	1	HYBRID H=8 ASSEMBLY	28480	09825-67907

See introduction to this section for ordering information  
 \*Indicates factory selected value

Table 9-3. Replaceable Parts (Cont'd)

Reference Designation	HP Part Number	C D	Qty	Description	Mfr Code	Mfr Part Number
W1	03585-61602	4	34	CABLE ASSEMBLY, RED	28480	03585-61602
	1250-0666	6		CONNECTOR-RF SMB FEM UNMTD 50-OHM	28480	1250-0666
	8120-1107	4		CABLE-COAX 50-OHM 1KV RED	28480	8120-1107
	03585-61602	4		CABLE ASSEMBLY, RED	28480	03585-61602
	1250-0666	6		CONNECTOR-RF SMB FEM UNMTD 50-OHM	28480	1250-0666
	8120-1107	4		CABLE-COAX 50-OHM 1KV RED	28480	8120-1107
	03585-61602	4		CABLE ASSEMBLY, RED	28480	03585-61602
	1250-0666	6		CONNECTOR-RF SMB FEM UNMTD 50-OHM	28480	1250-0666
	8120-1107	4		CABLE-COAX 50-OHM 1KV RED	28480	8120-1107
	03585-61602	4		CABLE ASSEMBLY, RED	28480	03585-61602
	1250-0666	6		CONNECTOR-RF SMB FEM UNMTD 50-OHM	28480	1250-0666
	8120-1107	4		CABLE-COAX 50-OHM 1KV RED	28480	8120-1107
W5	03585-61603	5	9	CABLE ASSEMBLY, ORANGE	28480	03585-61603
	1250-0666	6		CONNECTOR-RF SMB FEM UNMTD 50-OHM	28480	1250-0666
	8120-1108	5		CABLE-COAX 50-OHM 1KV ORN	28480	8120-1108
W6	03585-61603	5	11	CABLE ASSEMBLY, ORANGE	28480	03585-61603
	1250-0666	6		CONNECTOR-RF SMB FEM UNMTD 50-OHM	28480	1250-0666
	8120-1108	5		CABLE-COAX 50-OHM 1KV ORN	28480	8120-1108
W7	03585-61603	5		CABLE ASSEMBLY, ORANGE	28480	03585-61603
	1250-0666	6		CONNECTOR-RF SMB FEM UNMTD 50-OHM	28480	1250-0666
	8120-1108	5		CABLE-COAX 50-OHM 1KV ORN	28480	8120-1108
W8	03585-61603	5		CABLE ASSEMBLY, ORANGE	28480	03585-61603
	1250-0666	6		CONNECTOR-RF SMB FEM UNMTD 50-OHM	28480	1250-0666
	8120-1108	5		CABLE-COAX 50-OHM 1KV ORN	28480	8120-1108
W9	03585-61603	5		CABLE ASSEMBLY, ORANGE	28480	03585-61603
	1250-0666	6		CONNECTOR-RF SMB FEM UNMTD 50-OHM	28480	1250-0666
	8120-1108	5		CABLE-COAX 50-OHM 1KV ORN	28480	8120-1108
W10	03585-61603	5		CABLE ASSEMBLY, ORANGE	28480	03585-61603
	1250-0666	6		CONNECTOR-RF SMB FEM UNMTD 50-OHM	28480	1250-0666
	8120-1108	5		CABLE-COAX 50-OHM 1KV ORN	28480	8120-1108
W11	03585-61603	5		CABLE ASSEMBLY, ORANGE	28480	03585-61603
	1250-0666	6		CONNECTOR-RF SMB FEM UNMTD 50-OHM	28480	1250-0666
	8120-1108	5		CABLE-COAX 50-OHM 1KV ORN	28480	8120-1108
W12	03585-61603	5		CABLE ASSEMBLY, ORANGE	28480	03585-61603
	1250-0666	6		CONNECTOR-RF SMB FEM UNMTD 50-OHM	28480	1250-0666
	8120-1108	5		CABLE-COAX 50-OHM 1KV ORN	28480	8120-1108
W13	03585-61603	5		CABLE ASSEMBLY, ORANGE	28480	03585-61603
	1250-0666	6		CONNECTOR-RF SMB FEM UNMTD 50-OHM	28480	1250-0666
	8120-1108	5		CABLE-COAX 50-OHM 1KV ORN	28480	8120-1108
W14	03585-61604	6	9	CABLE ASSEMBLY, YELLOW	28480	03585-61604
	1250-0666	6		CONNECTOR-RF SMB FEM UNMTD 50-OHM	28480	1250-0666
	8120-1109	6		CABLE-COAX 50-OHM 1KV YEL	28480	8120-1109
W15	03585-61604	6	10	CABLE ASSEMBLY, YELLOW	28480	03585-61604
	1250-0666	6		CONNECTOR-RF SMB FEM UNMTD 50-OHM	28480	1250-0666
	8120-1109	6		CABLE-COAX 50-OHM 1KV YEL	28480	8120-1109
W16	03585-61604	6		CABLE ASSEMBLY, YELLOW	28480	03585-61604
	1250-0666	6		CONNECTOR-RF SMB FEM UNMTD 50-OHM	28480	1250-0666
	8120-1109	6		CABLE-COAX 50-OHM 1KV YEL	28480	8120-1109
W17	03585-61604	6		CABLE ASSEMBLY, YELLOW	28480	03585-61604
	1250-0666	6		CONNECTOR-RF SMB FEM UNMTD 50-OHM	28480	1250-0666
	8120-1109	6		CABLE-COAX 50-OHM 1KV YEL	28480	8120-1109
W18	03585-61604	6		CABLE ASSEMBLY, YELLOW	28480	03585-61604
	1250-0666	6		CONNECTOR-RF SMB FEM UNMTD 50-OHM	28480	1250-0666
	8120-1109	6		CABLE-COAX 50-OHM 1KV YEL	28480	8120-1109
W19	03585-61604	6		CABLE ASSEMBLY, YELLOW	28480	03585-61604
	1250-0666	6		CONNECTOR-RF SMB FEM UNMTD 50-OHM	28480	1250-0666
	8120-1109	6		CABLE-COAX 50-OHM 1KV YEL	28480	8120-1109
W20	03585-61604	6		CABLE ASSEMBLY, YELLOW	28480	03585-61604
	1250-0666	6		CONNECTOR-RF SMB FEM UNMTD 50-OHM	28480	1250-0666
	8120-1109	6		CABLE-COAX 50-OHM 1KV YEL	28480	8120-1109
W21	03585-61604	6		CABLE ASSEMBLY, YELLOW	28480	03585-61604
	1250-0666	6		CONNECTOR-RF SMB FEM UNMTD 50-OHM	28480	1250-0666
	8120-1109	6		CABLE-COAX 50-OHM 1KV YEL	28480	8120-1109
W22	03585-61604	6		CABLE ASSEMBLY, YELLOW	28480	03585-61604
	1250-0666	6		CONNECTOR-RF SMB FEM UNMTD 50-OHM	28480	1250-0666
	8120-1109	6		CABLE-COAX 50-OHM 1KV YEL	28480	8120-1109
W23	03585-61605	7	1	CABLE ASSEMBLY, GREEN	28480	03585-61605
	1250-0666	6		CONNECTOR-RF SMB FEM UNMTD 50-OHM	28480	1250-0666
	8120-0549	6		CABLE-COAX 50-OHM 1KV GRN	28480	8120-0549
W24	03585-61606	8	1	CABLE ASSEMBLY, BLUE	28480	03585-61606
	1250-0666	6		CONNECTOR-RF SMB FEM UNMTD 50-OHM	28480	1250-0666
	8120-1111	0		CABLE-COAX 50-OHM 1KV BLU	28480	8120-1111
W25	03585-61607	9	1	CABLE ASSEMBLY, VIOLET	28480	03585-61607
	1250-0666	6		CONNECTOR-RF SMB FEM UNMTD 50-OHM	28480	1250-0666
	8120-1112	1		CABLE-COAX 50-OHM 1KV VID	28480	8120-1112
W26	03585-61608	0	13	CABLE ASSEMBLY, RED	28480	03585-61608
	1250-0050	2		NUT-RF CONNECTOR BNCI.562 LI.062ID	02660	31-2125-2
	1250-0051	3		CONTACT-RF CONN SERIES BNCI FEMALE	02660	31-2109
	1250-0666	6		CONNECTOR-RF SMB FEM UNMTD 50-OHM	28480	1250-0666
	8120-1107	4		CABLE-COAX 50-OHM 1KV RED	28480	8120-1107

See introduction to this section for ordering information  
 \*Indicates factory selected value

**Table 9-3. Replaceable Parts (Cont'd)**

Reference Designation	HP Part Number	C D	Qty	Description	Mfr Code	Mfr Part Number
W27	03585-61609	1	1	CABLE ASSEMBLY, VIOLET	28480	03585-61609
	1250-0050	2		NUT-RF CONNECTOR BNC1,562 L1,062ID	02660	31-2125-2
	1250-0051	3		CONTACT-RF CONN SERIES BNC1 FEMALE	02660	31-2109
	1250-0252	6	11	CONNECTOR-RF BNC FEM SGL-HOLE-RR 50-OHM	28480	1250-0252
	1250-0666	6		CONNECTOR-RF SMB FEM UNMTD 50-OHM	28480	1250-0666
	8120-1112	1		CABLE-COAX 50-OHM 1KV VIO	28480	8120-1112
W28	03585-61610	4	1	CABLE ASSEMBLY, GREY	28480	03585-61610
	1250-0666	6		CONNECTOR-RF SMB FEM UNMTD 50-OHM	28480	1250-0666
	8120-0789	6	4	CABLE-COAX 50-OHM 1KV JGK	28480	8120-0789
	03585-61611	5	1	CABLE ASSEMBLY, GREY	28480	03585-61611
W29	1250-0050	2		NUT-RF CONNECTOR BNC1,562 L1,062ID	02660	31-2125-2
	1250-0051	3		CONTACT-RF CONN SERIES BNC1 FEMALE	02660	31-2109
	1250-0666	6		CONNECTOR-RF SMB FEM UNMTD 50-OHM	28480	1250-0666
	8120-0789	6		CABLE-COAX 50-OHM 1KV JGK	28480	8120-0789
	03585-61612	6	1	CABLE ASSEMBLY, GREY	28480	03585-61612
	1250-0050	2		NUT-RF CONNECTOR BNC1,562 L1,062ID	02660	31-2125-2
W30	1250-0051	3		CONTACT-RF CONN SERIES BNC1 FEMALE	02660	31-2109
	1250-0252	6		CONNECTOR-RF BNC FEM SGL-HOLE-RR 50-OHM	28480	1250-0252
	1250-0666	6		CONNECTOR-RF SMB FEM UNMTD 50-OHM	28480	1250-0666
	8120-0789	6		CABLE-COAX 50-OHM 1KV JGK	28480	8120-0789
	03585-61613	7	1	CABLE ASSEMBLY, GREEN	28480	03585-61613
	1250-0050	2		NUT-RF CONNECTOR BNC1,562 L1,062ID	02660	31-2125-2
W31	1250-0051	3		CONTACT-RF CONN SERIES BNC1 FEMALE	02660	31-2109
	1250-0252	6		CONNECTOR-RF BNC FEM SGL-HOLE-RR 50-OHM	28480	1250-0252
	1250-0666	6		CONNECTOR-RF SMB FEM UNMTD 50-OHM	28480	1250-0666
	8120-1110	9	2	CABLE-COAX 50-OHM 1KV GRN	28480	8120-1110
	03585-61614	8	1	CABLE ASSEMBLY, WHITE	28480	03585-61614
	1250-0050	2		NUT-RF CONNECTOR BNC1,562 L1,062ID	02660	31-2125-2
W32	1250-0051	3		CONTACT-RF CONN SERIES BNC1 FEMALE	02660	31-2109
	1250-0252	6		CONNECTOR-RF BNC FEM SGL-HOLE-RR 50-OHM	28480	1250-0252
	1250-0666	6		CONNECTOR-RF SMB FEM UNMTD 50-OHM	28480	1250-0666
	8120-1113	2	2	CABLE-COAX 50-OHM 1KV WHT	28480	8120-1113
	03585-61615	9	1	CABLE ASSEMBLY, BLACK	28480	03585-61615
	1250-0050	2		NUT-RF CONNECTOR BNC1,562 L1,062ID	02660	31-2125-2
W33	1250-0051	3		CONTACT-RF CONN SERIES BNC1 FEMALE	02660	31-2109
	1250-0252	6		CONNECTOR-RF BNC FEM SGL-HOLE-RR 50-OHM	28480	1250-0252
	1250-0666	6		CONNECTOR-RF SMB FEM UNMTD 50-OHM	28480	1250-0666
	8120-1105	2	2	CABLE-COAX 50-OHM 1KV BLK	28480	8120-1105
	03585-61617	1	1	CABLE ASSEMBLY, COAX	28480	03585-61617
	1250-0666	6		CONNECTOR-RF SMB FEM UNMTD 50-OHM	28480	1250-0666
W34	8120-1108	5		CABLE-COAX 50-OHM 1KV DRN	28480	8120-1108
	03585-61620	6	1	CABLE ASSEMBLY, BROWN	28480	03585-61620
	1250-0050	2		NUT-RF CONNECTOR BNC1,562 L1,062ID	02660	31-2125-2
	1250-0051	3		CONTACT-RF CONN SERIES BNC1 FEMALE	02660	31-2109
	1250-0252	6		CONNECTOR-RF BNC FEM SGL-HOLE-RR 50-OHM	28480	1250-0252
	1251-3613	1	10	CONNECTOR 2-PIN F POST TYPE	28480	1251-3613
W35	8120-1106	3	1	CABLE-COAX 50-OHM 1KV BRN	28480	8120-1106
	03585-61621	7	1	CABLE ASSEMBLY, RED	28480	03585-61621
	1250-0050	2		NUT-RF CONNECTOR BNC1,562 L1,062ID	02660	31-2125-2
	1250-0051	3		CONTACT-RF CONN SERIES BNC1 FEMALE	02660	31-2109
	1250-0252	6		CONNECTOR-RF BNC FEM SGL-HOLE-RR 50-OHM	28480	1250-0252
	1251-3613	1		CONNECTOR 2-PIN F POST TYPE	28480	1251-3613
W36	8120-1107	4		CABLE-COAX 50-OHM 1KV RED	28480	8120-1107
	03585-61622	8	1	CABLE ASSEMBLY, YELLOW	28480	03585-61622
	1250-0050	2		NUT-RF CONNECTOR BNC1,562 L1,062ID	02660	31-2125-2
	1250-0051	3		CONTACT-RF CONN SERIES BNC1 FEMALE	02660	31-2109
	1250-0252	6		CONNECTOR-RF BNC FEM SGL-HOLE-RR 50-OHM	28480	1250-0252
	1251-3613	1		CONNECTOR 2-PIN F POST TYPE	28480	1251-3613
W37	8120-1109	6		CABLE-COAX 50-OHM 1KV YEL	28480	8120-1109
	03585-61623	9	1	CABLE ASSEMBLY, ORANGE	28480	03585-61623
	1250-0050	2		NUT-RF CONNECTOR BNC1,562 L1,062ID	02660	31-2125-2
	1250-0051	3		CONTACT-RF CONN SERIES BNC1 FEMALE	02660	31-2109
	1250-0252	6		CONNECTOR-RF BNC FEM SGL-HOLE-RR 50-OHM	28480	1250-0252
	1251-3613	1		CONNECTOR 2-PIN F POST TYPE	28480	1251-3613
W38	8120-1108	5		CABLE-COAX 50-OHM 1KV ORN	28480	8120-1108
	03585-61624	0	1	CABLE ASSEMBLY, GREEN	28480	03585-61624
	1250-0050	2		NUT-RF CONNECTOR BNC1,562 L1,062ID	02660	31-2125-2
	1250-0051	3		CONTACT-RF CONN SERIES BNC1 FEMALE	02660	31-2109
	1250-0252	6		CONNECTOR-RF BNC FEM SGL-HOLE-RR 50-OHM	28480	1250-0252
	1251-3613	1		CONNECTOR 2-PIN F POST TYPE	28480	1251-3613
W39	8120-1110	9		CABLE-COAX 50-OHM 1KV GRN	28480	8120-1110
	03585-61625	1	1	CABLE ASSEMBLY, BLUE	28480	03585-61625
	1250-0050	2		NUT-RF CONNECTOR BNC1,562 L1,062ID	02660	31-2125-2
	1250-0051	3		CONTACT-RF CONN SERIES BNC1 FEMALE	02660	31-2109
	1250-0252	6		CONNECTOR-RF BNC FEM SGL-HOLE-RR 50-OHM	28480	1250-0252
	1251-3613	1		CONNECTOR 2-PIN F POST TYPE	28480	1251-3613
W40	8120-1111	0		CABLE-COAX 50-OHM 1KV BLU	28480	8120-1111

See introduction to this section for ordering information  
 \*Indicates factory selected value

Table 9-3. Replaceable Parts (Cont'd)

Reference Designation	HP Part Number	C D	Qty	Description	Mfr Code	Mfr Part Number
W41	03585-61626	2	1	CABLE ASSEMBLY, WHITE	28480	03585-61626
	1251-3613	1		CONNECTOR 2-PIN F POST TYPE	28480	1251-3613
	8120-1113	2		CABLE=COAX 50-OHM 1KV WHT	28480	8120-1113
W42	03585-61627	3	1	CABLE ASSEMBLY, GREY	28480	03585-61627
	1251-3613	1		CONNECTOR 2-PIN F POST TYPE	28480	1251-3613
	8120-0789	6		CABLE=COAX 50-OHM 1KV JGK	28480	8120-0789
W43	03585-61628	4	1	CABLE ASSEMBLY, BLACK	28480	03585-61628
	1251-3613	1		CONNECTOR 2-PIN F POST TYPE	28480	1251-3613
	8120-1105	2		CABLE=COAX 50-OHM 1KV BLK	28480	8120-1105
W44	03585-61630	8	1	CABLE ASSEMBLY, RFG	28480	03585-61630
	1251-3808	6	4	KEYING PLUG-POST CONN	28480	1251-3808
	1251-4182	1	3	CONNECTOR=SGL CONT SKT .025-IN=BSC=8Z 80	28480	1251-4182
	125105043	9	1		28480	125105043
W45	5060-0329	9	1		28480	5060-0329
	03585-61631	9	1	CABLE ASSEMBLY, 34P LONG	28480	03585-61631
	1251-3511	8	1	CONNECTOR 34-PIN F POST TYPE	28480	1251-3511
	1251-3916	7	2	CONNECTOR=PC EDGE 17-CONT/ROW 2=ROWS	28480	1251-3916
	8120-1727	4	2	CABLE=FL=RBN 2RAWG 34-CNDCT UL-2651	28480	8120-1727
W46	03585-61632	0	1	CABLE ASSEMBLY, 34P SHORT	28480	03585-61632
	1251-3916	7		CONNECTOR=PC EDGE 17-CONT/ROW 2=ROWS	28480	1251-3916
	8120-1727	4		CABLE=FL=RBN 28AWG 34-CNDCT UL-2651	28480	8120-1727
W47	03585-61634	2	1	CABLE 16P PDB=A70	28480	03585-61634
	1251-0627	1	9	POLARIZING KEY-POST CONN	28480	1251-0627
	1251-5208	4	1	CONNECTOR 16-PIN F POST TYPE	28480	1251-5208
W48	03585-61635	3	1	CABLE 10P PDB=A10	28480	03585-61635
	1251-0627	1		POLARIZING KEY-POST CONN	28480	1251-0627
	1251-2573	0	1	CONNECTOR=PC EDGE 10-CONT/ROW 1=ROW	28480	1251-2573
W49	1251-3537	8	1	CONNECTOR 10-PIN F POST TYPE	28480	1251-3537
	03585-61636	4	1	CABLE, 8P PDB=A50	28480	03585-61636
	1251-0627	1		POLARIZING KEY-POST CONN	28480	1251-0627
W50	1251-3278	4	2	CONNECTOR 8-PIN F POST TYPE	28480	1251-3278
	03585-61637	5	1	CABLE ASSEMBLY	28480	03585-61637
	00140-44702	6	2	SPACER, FOAM	28480	00140-44702
W51	1251-2039	3	3	CONNECTOR=SGL CONT SKT .041-IN=BSC=SZ	28480	1251-2039
	03585-61638	6	1	CABLE ASSEMBLY	28480	03585-61638
	00140-44702	6		SPACER, FOAM	28480	00140-44702
W52	1251-2039	3		CONNECTOR=SGL CONT SKT .041-IN=BSC=SZ	28480	1251-2039
	03585-61639	7	1	CABLE, 12P PDB=A40	28480	03585-61639
	1251-0627	1		POLARIZING KEY-POST CONN	28480	1251-0627
W53	1251-3279	5	1	CONNECTOR 12-PIN F POST TYPE	28480	1251-3279
	03585-61640	0	1	CABLE, 2P PDB=FAB	28480	03585-61640
	1251-3613	1		CONNECTOR 2-PIN F POST TYPE	28480	1251-3613
W54	03585-61641	1	1	CABLE, PDB=67=HVPS	28480	03585-61641
	1251-0595	2	1	CONNECTOR=PC EDGE 10-CONT/ROW 2=ROWS	28480	1251-0595
	1251-0627	1		POLARIZING KEY-POST CONN	28480	1251-0627
W55	1251-2496	6	1	CONNECTOR 9-PIN M UTILITY	28480	1251-2496
	1251-3021	5	1	CONTACT-CONN U/W=PC-EDGE FEM CRP	28480	1251-3021
	1251-4886	2	1	CONNECTOR 11-PIN F POST TYPE	28480	1251-4886
	03585-61642	2	1	CABLE ASSEMBLY, POWER	28480	03585-61642
W56	1251-0627	1		POLARIZING KEY-POST CONN	28480	1251-0627
	1251-3275	1	1	CONNECTOR 6-PIN F POST TYPE	28480	1251-3275
	03585-61643	3	1	CABLE, 5P PDB=PROBE	28480	03585-61643
W57	1251-0512	3	1	CONNECTOR 5-PIN F POST TYPE	28480	1251-0512
	1251-0627	1		POLARIZING KEY-POST CONN	28480	1251-0627
	03585-61644	4	1	CABLE, 4P PDB=OVEN	28480	03585-61644
W58	1251-0627	1		POLARIZING KEY-POST CONN	28480	1251-0627
	1251-3277	3	1	CONNECTOR 4-PIN F POST TYPE	28480	1251-3277
	03585-61646	6	1	CABLE ASSEMBLY, FOCUS	28480	03585-61646
W59	1251-5036	6	1	CONNECTOR 2-PIN M UTILITY	28480	1251-5036
	1251-5296	0	1	CONTACT-CONN U/W=UTIL MALE CRP	28480	1251-5296
	2100-0571	6	1	RESISTOR=VAR CONTROL CC 5M LIN	28480	2100-0571
	5040-0453	8	1	COVER;POTENTIOMETER(FOCUS)	28480	5040-0453
	8150-2639	2	1	WIRE 22AWG BK 600V PVC 7X30 105C	28480	8150-2639
W60	8150-2981	7	1	WIRE 22AWG W 600V PVC 7X30 105C	28480	8150-2981
	03585-61647	7	1	CABLE ASSEMBLY, POWER	28480	03585-61647
	03570-02345	0	1	COVER, M/N POWER SWITCH	28480	03570-02345
	03585-01208	1	1	BRACKET, POWER SWITCH	28480	03585-01208
	3101-1656	3	1	SWITCH=TGL BASIC DPDT 3A 125VAC SLDR=LUG	28480	3101-1656
W61	8120-1425	9	1	CABLE=SHLD 22AWG 4-CNDCT JGK=JKT	28480	8120-1425
	03585-61649	9	1	CABLE, 16P 67=CRT	28480	03585-61649
	1251-2039	3		CONNECTOR=SGL CONT SKT .041-IN=BSC=8Z	28480	1251-2039
	1251-3808	6	6	KEYING PLUG-POST CONN	28480	1251-3808
	1251-3977	0	1	CONNECTOR 2-PIN H UTILITY	28480	1251-3977
W62	1251-4182	1		CONNECTOR=SGL CONT SKT .025-IN=BSC=8Z 80	28480	1251-4182
	1251-5207	3	1	CONNECTOR 16-PIN F POST TYPE	28480	1251-5207
	03585-61650	2	1	CABLE, 67-POTS	28480	03585-61650
W64	1251-3808	6		KEYING PLUG-POST CONN	28480	1251-3808
	1251-4182	1		CONNECTOR=SGL CONT SKT .025-IN=BSC=8Z 80	28480	1251-4182
	1251-5206	2	1	CONNECTOR 11-PIN F POST TYPE	28480	1251-5206
	03585-61652	4	1	CABLE, 8P .1 70	28480	03585-61652
W64	1251-3808	6		KEYING PLUG-POST CONN	28480	1251-3808
	1251-5060	6	1	MINI-PV HOUSING	28480	1251-5060

See introduction to this section for ordering information  
 \*Indicates factory selected value

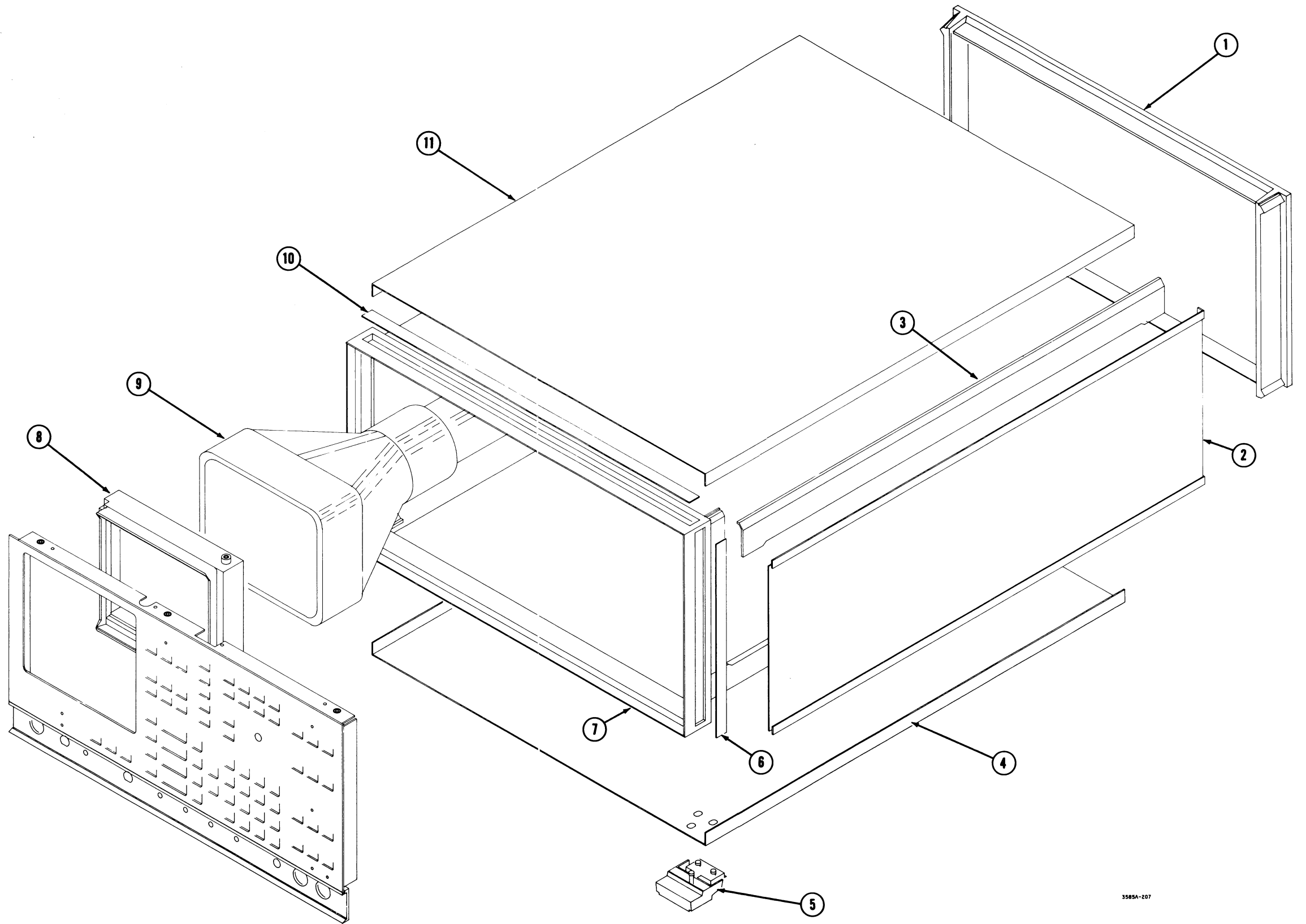


**Table 9-3. Replaceable Parts (Cont'd)**

Reference Designation	HP Part Number	C D	Qty	Description	Mfr Code	Mfr Part Number
W65	03585-61653	5	1	CABLE, 8P 70-RP	28480	03585-61653
	1251-0627	1		POLARIZING KEY-POST CONN	28480	1251-0627
	1251-3278	4		CONNECTOR 8-PIN F POST TYPE	28480	1251-3278
W67	03585-61667	1	3	JUMPER COAXIAL	28480	03585-61667
	03585-20301	4	2	BUSHING, JUMPER	28480	03585-20301
	8120-1220	2	2		28480	8120-1220
W68	03585-61667	1		JUMPER COAXIAL	28480	03585-61667
W69	03585-61667	1		JUMPER COAXIAL	28480	03585-61667
W70	8120-2616	2	1	CABLE, HP-18	28480	8120-2616
W71	03330-61603	8	1	CABLE ASSEMBLY, FLAT	28480	03330-61603
	1251-2499	9	4	CONNECTOR 14-PIN M RECTANGULAR	28480	1251-2499
	8120-1458	8	2	CABLE, RIBBON	28480	8120-1458
W72	03330-61602	7	1	CABLE ASSEMBLY, FLAT	28480	03330-61602
	1251-2499	9		CONNECTOR 14-PIN M RECTANGULAR	28480	1251-2499
	8120-1458	8		CABLE, RIBBON	28480	8120-1458

See introduction to this section for ordering information  
 \*Indicates factory selected value

Designator	Qty	Part Number	Description
1	1	5020-8808	FRAME, REAR
2	2	5060-9923	COVER, SIDE
3	4	5020-8838	RAILS, SIDE
4	1	5060-9848	COVER, BOTTOM
5	4	5040-7201	FOOT, PLASTIC
6		5001-0441	TRIM, SIDE
7	1	5020-8807	FRAME, FRONT
8	1	5040-8399	BEZEL, CRT
9	1	03582-60103	SHIELD, CRT
10	1	5040-7202	TRIM, TOP
11	1	5060-9836	COVER, TOP



3585A-207

Figure 9-1. External Covers  
9-99/9-100

Designator	Qty	Part Number	Description
1	1	03585-61630	POTENTIOMETER, RPG
2	1	03585-66547	KEYBOARD PRINTED CIRCUIT ASSEMBLY, A47
3	1	03585-00202	SUB-PANEL, FRONT
4	1	03585-00201	PANEL, FRONT
5	1	03585-21209	EXTR-FRT PNL-LWR
6	1	7120-7183	INSERT, FRONT PANEL
7	1	5060-0467	CONNECTOR, MALE PROBE
8	2	2190-0016	WASHER-LK 3/8 IN .377-IN-ID
9	2	2950-0043	NUT HEX, DBL-CHAM 3/8-32-THD .094-IN-THK
10	5	0370-1005	KNOB-BASE-PTS 3/8 JGK .125-IN-ID
11	5	2950-0072	NUT HEX, DBL CHAM 1/4-32-THD .062-IN-THK
12	5	2190-0060	WASHER-LK INTL 1/4 IN .256-IN-ID
13	1	2100-2838	RESISTOR-VAR
14	1	2100-3189	RESISTOR-VAR
15	1	03585-61646	CBL-ASSY-FOCUS
16	1	2100-3705	POT 10K 1001SW
17	1	2950-0054	NUT HEX, DBL CHAM 1/2-28-THD .125-IN-THK
18	1	2190-0029	WASHER-LK HLCL 1/4 IN .26-IN-ID
19	2	1250-0102	CONNECTOR-RF BNC FEM SGL-HOLE-FR 50-OHM
20	1	2100-3718	RESISTOR-VAR
21	1	0370-1303	KNOB-BASE 1-1/8 JGK .25-IN-ID
22	1	2950-0043	NUT HEX
23	1	3050-0067	WASHER-FLAT
24	1	03585-01208	BRKT-PWR SW
25	1	3101-1656	SW TOGGLE
26	1	03570-02345	COVER-MN PWR SW
27		2190-0016	WSHR-LK INTL T
			FRONT PANEL KEYCAPS
	1	5041-0310	KEY, BLANK
	19	5041-0319	KEY, BLANK W/LIGHT
	5	5041-0352	KEY, BLACK W/LIGHT
	1	5041-0668	KEY, START FREQUENCY
	1	5041-0669	KEY, STOP FREQUENCY
	1	5041-0670	KEY, 1 REG
	1	5041-0671	KEY, 2 REG
	1	5041-0672	KEY, 3 REG
	1	5041-0673	KEY, CENTER FREQUENCY
	1	5041-0674	KEY, FREQUENCY SPAN
	1	5041-0675	KEY, REFERENCE LEVEL
	1	5041-0720	KEY, INSTRUMENT PRESET
	1	5041-0731	KEY, OFS SPAN
	1	5041-0736	KEY, DB/DIV
	1	5041-0737	KEY, REF LEVEL VOLT
	1	5041-0739	KEY, MHz, DBM, V
	1	5041-0740	KEY, kHz, DBV, MV
	1	5041-0741	KEY, Hz, DB, UV
	1	5041-0742	KEY, SEC
	1	5041-0743	KEY, ENTER OFFSET
	1	5041-0744	KEY, RANGE
	1	5041-0745	KEY MKR-OFS STEP
	1	5041-0746	KEY
	1	5041-0749	KEY, 5
	1	5041-0750	KEY, 6
	1	5041-0754	KEY, 0
	1	5041-0755	KEY, DECIMAL
	2	5041-0756	KEY, ARROW
	1	5041-0772	KEY, LOCAL
	1	5041-0773	KEY, FULL SWEEP
	1	5041-0776	KEY, CLEAR
	1	5041-0777	KEY, MKR CF
	1	5041-0778	KEY, MRK REFERENCE
	1	5041-0779	KEY, MANUAL
	1	5041-0780	KEY, OFF
	1	5041-0781	KEY, RES BW
	1	5041-0782	KEY, VIDEO BW
	1	5041-0783	KEY, SWEEP TIME
	1	5041-0923	KEY, SAVE (OFF)
	1	5041-0924	KEY, RECALL (ON)
	1	5041-0939	KEY, STORE A-B
	1	5041-0940	KEY, CLEAR A
	1	5041-0945	KEY, CF STEP SIZE
	1	5041-0958	KEY, 4 (CAL)
	1	5041-0959	KEY, 7 (UPPER RIGHT)
	1	5041-0960	KEY, 8 (PLOT 1)
	1	5041-0961	KEY, 9 (PLOT 2)

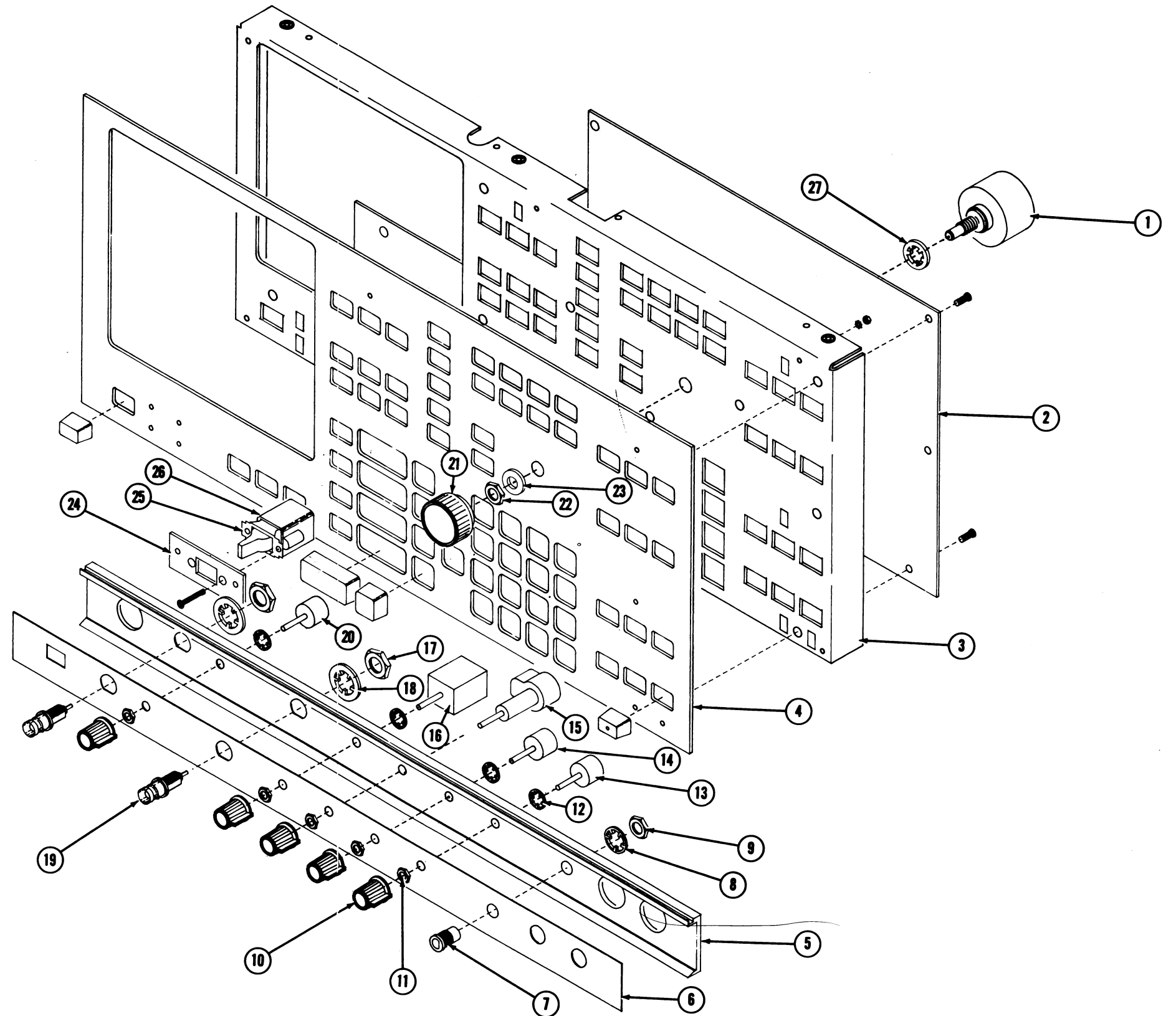


Figure 9-2. Front Panel Assembly  
9-101/9-102

Designator	Qty	Part Number	Description
1	1	03585-60201	LEFT SIDE ASSY
2	1	03585-21207	BAR-INP MTG
3	1	03585-21203	BAR-ANALOG MTG
4	1	03585-04106	BRKT-LO MTG
5	1	03585-04101	CVR-HVPS
6	1	03585-64201	HSG-HVPS
7	1	03585-00105	DECK-MTG HVPS
8	1	03585-00101	DECK-HVPS
9	1	03585-01221	SPRT-CTR PNL
10	1	1400-0908	CLAMP
11	1	03585-01204	BRKT-SYZ CVR
12	1	03585-01205	CLAMP-CRT SHLD
13	1	5040-7783	SUPPORT-CRT SH
14	1	03585-21210	BAR SUPPORT
15	1	03585-04112	COVER-67
16	1	03585-01216	BRKT-REAR HVPS
17	1	03585-00601	DIVIDER-DIGITAL
18	1	03585-01209	BD GUIDE DIGITAL
19	1	03585-21204	DIGITAL CLAMP-A
20	1	03585-01210	CLAMP-B DIGITAL
21	1	03585-04113	CUR-67B
22	1	03585-01207	BRKT-CONN
23	1	03585-61641	CBL PDB-67-HVPS

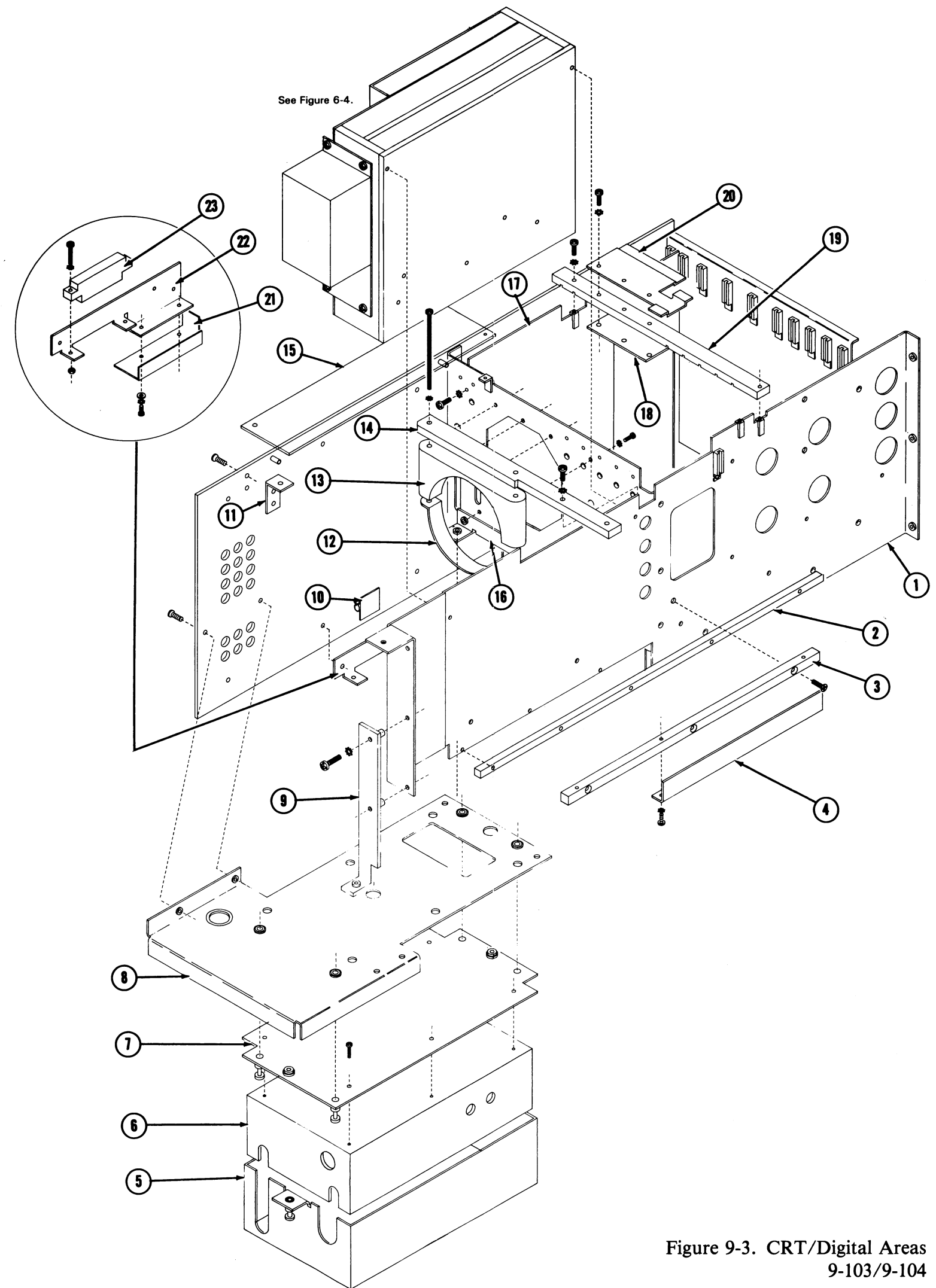


Figure 9-3. CRT/Digital Areas  
9-103/9-104

Designator	Qty	Part Number	Description
1	1	03585-01220	BRKT-TR&R
2	1	03585-25106	TG&R PLATE-6
3	1	03585-25104	TG&R PLATE-4
4	1	03585-66581	OSC BRD STD
5	1	03585-25105	TG&R PLATE-5
6	1	03585-25103	TG&R PLATE-3
7	1	03585-05101	TG REAR-PLT-1
8	1	03585-05102	TG REAR-PLT-2

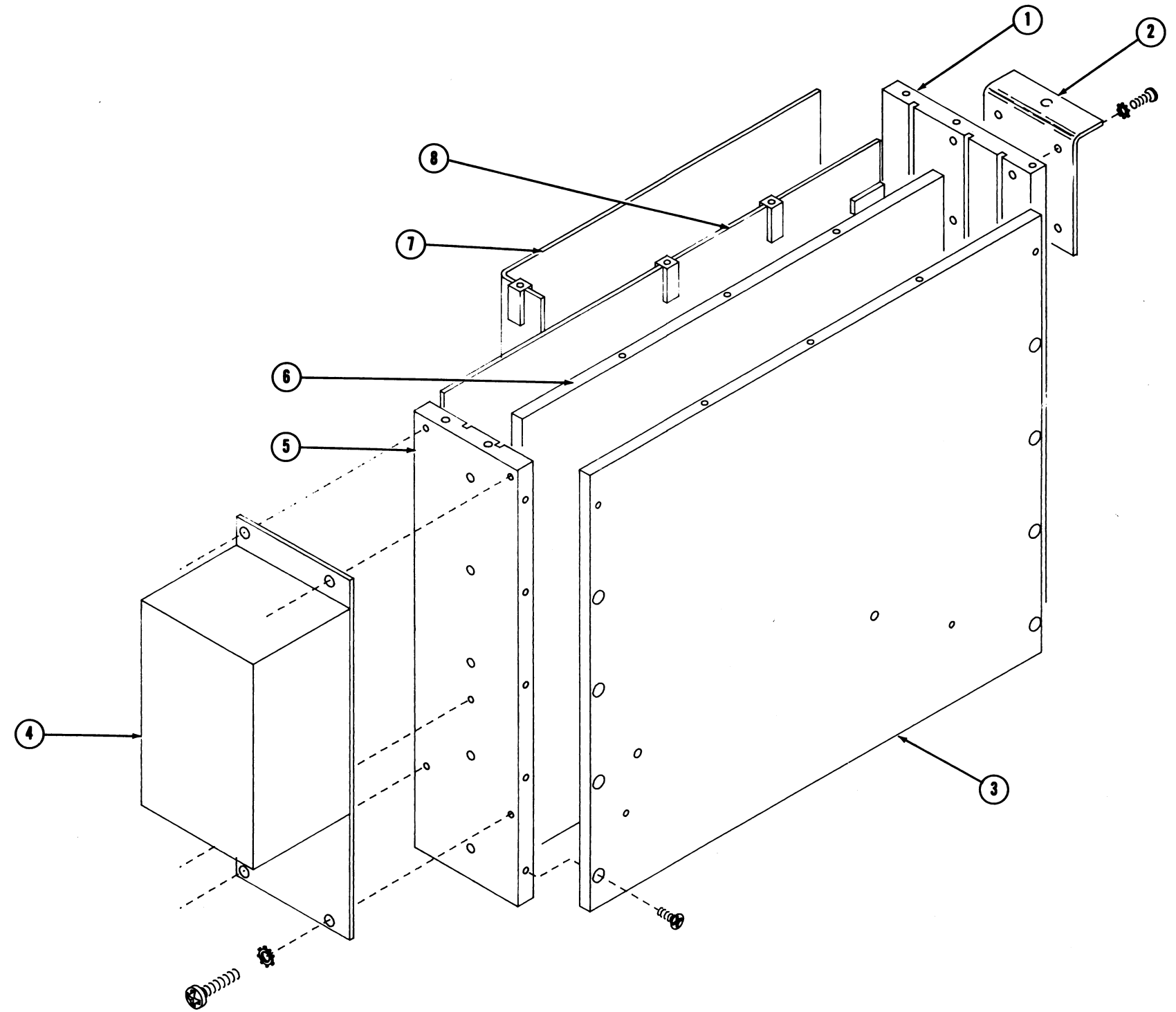


Figure 9-4. Tracking Generator/Oscillator Assembly  
9-105/9-106

Designator	Qty	Part Number	Description
1	1	03585-21211	BAR PS CLAMP
2		03585-60202	RIGHT SIDE ASSY
3		03585-60301	COVER ASSY
4		1400-0015	CLAMP-CABLE
5		03585-00311	CLAMP END
6		03585-21002	RF-INPUT/CONV BX
7		03585-00302	CUR-INP
8		03585-00308	SHLD-REAR
9		03585-00310	CLAMP-LONG
10		03585-00306	SHLF-BTM
11		03585-00307	SHLD-FRT
12		03585-60204	IF SEC ASSY
13		03585-60206	LO BOX ASSY
14		03585-01219	BRKT-BAR
15		03585-21214	CAMP-PS
16		5040-8336	STANDOFF

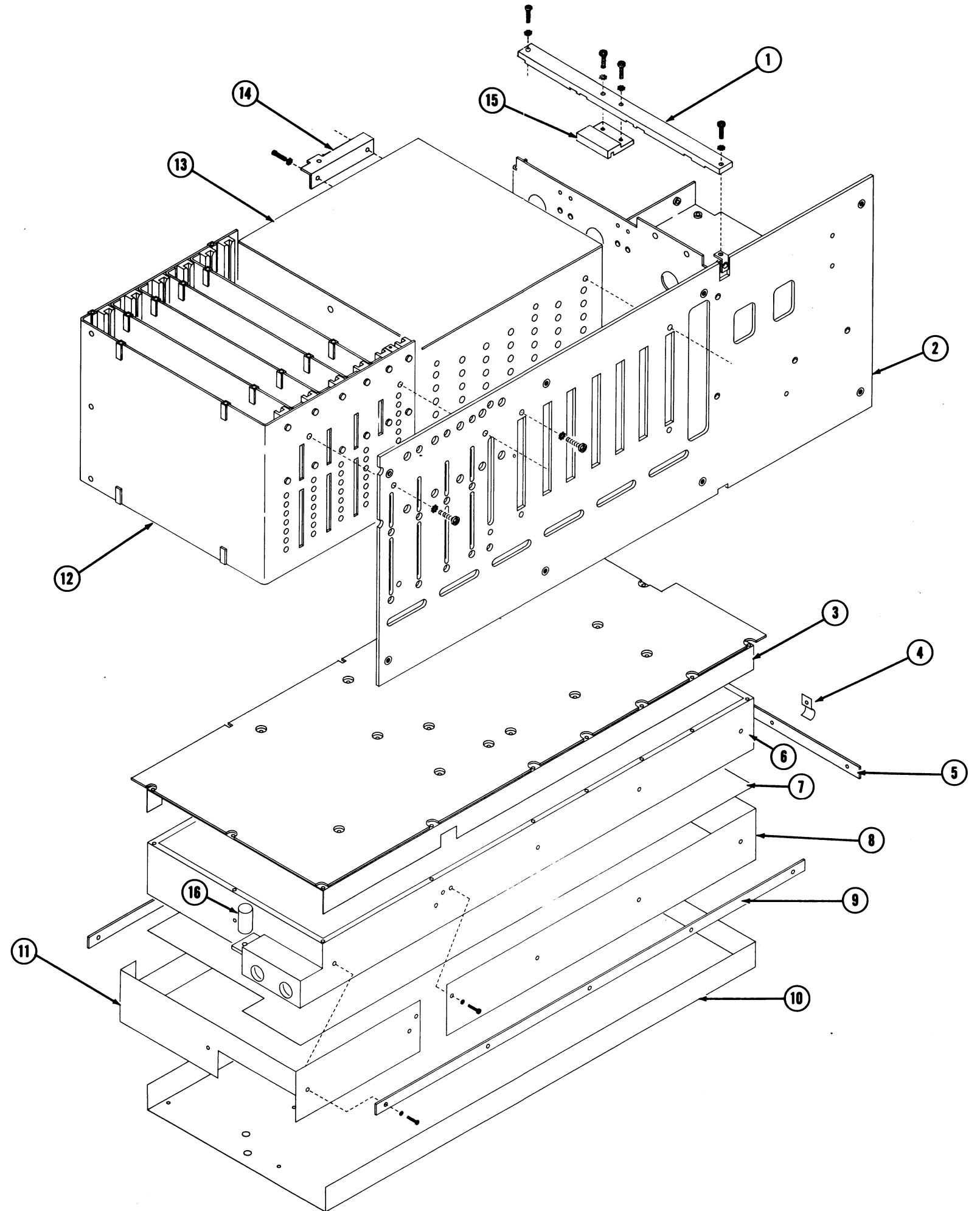


Figure 9-5. RF/IF Assembly  
9-107/9-108



Designator	Qty	Part Number	Description
1	1	5020-8808	FRAME, REAR
2	11	1250-0252	BODY
3	1	2110-0467	NUT-HEX 1/2-28
4	1	2190-0037	WSHR-LK INTL T
5	11	2190-0090	WSHR-LK INTL T
6	11	2950-0035	NUT-HEX-DBL CHAM
7	1	1400-0090	WASHER
8	1	2110-0470	FUSE HOLDER
9	1	2110-0465	CAP, FUSE HOLDER
10	2	0380-0643	STDF-STUD MT
11	2	2190-0009	WSHR-LK INTL T
12	1	8120-2616	CABLE-HPIB
13	4	0590-0167	NUT-THUMB
14	4	2190-0009	WASHER-LK INTL T
15	1	3150-0218	FILTER, FAN
16	1	03585-04131	COVER REAR PNL
17	1	03582-04104	SCREEN FAN
18	1	3160-0306	FAN
19(U2)	1	1820-0430	LIN REG 5V LM309K
20	1	1901-0526	D10 ASSY-S1
21	1	1906-0212	RECT MDA3504
22(U3)	1	1826-0402	PWR V REG + 15V
23	1	03585-66577	AC PROTECT BRD
24	1	03585-01217	BRKT-REAR CVR
25	1	03585-00203	PANEL, REAR
26	1	9100-4060	XFMR-PWR
27	1	03585-01213	BRKT-T MOUNT
28	1	03585-01211	BRKT-T

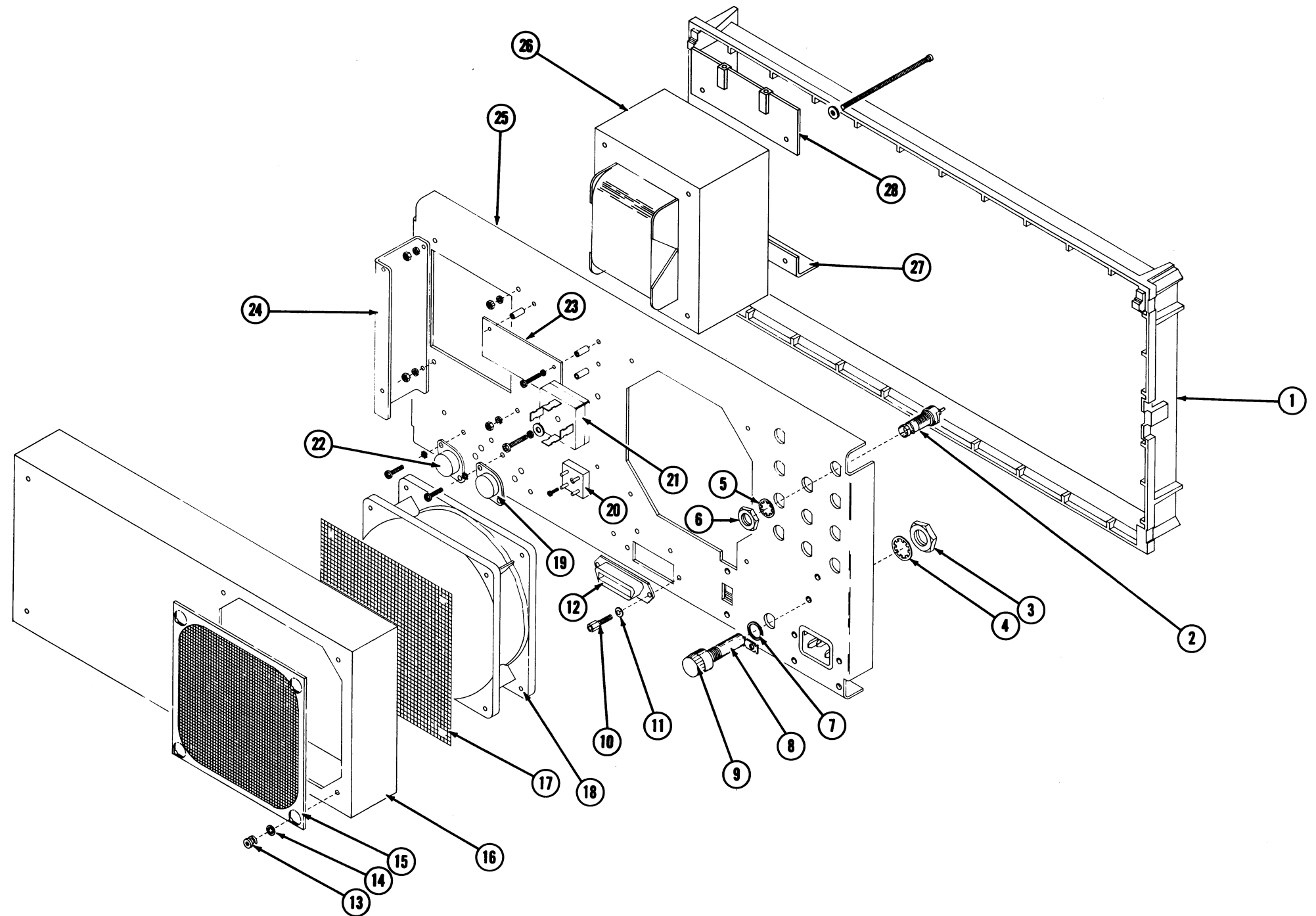


Figure 9-6. Rear Panel Assembly  
9-109/9-110

# SECTION X

## SCHEMATIC DIAGRAMS

### 10-1. INTRODUCTION

This manual section contains all schematic diagrams for the 3585A Spectrum Analyzer. The schematics are numbered using first a letter designator such as "A, B, etc." followed by a numeric designator. The letter designator indicates the functional group (Service Group) within the instrument that the schematic documents. The numeric designator indicates a subsection within the main functional group. Table 10-1 lists the functional groups into which the -hp- 3585A is divided. Individual schematics are listed in Table 10-2.

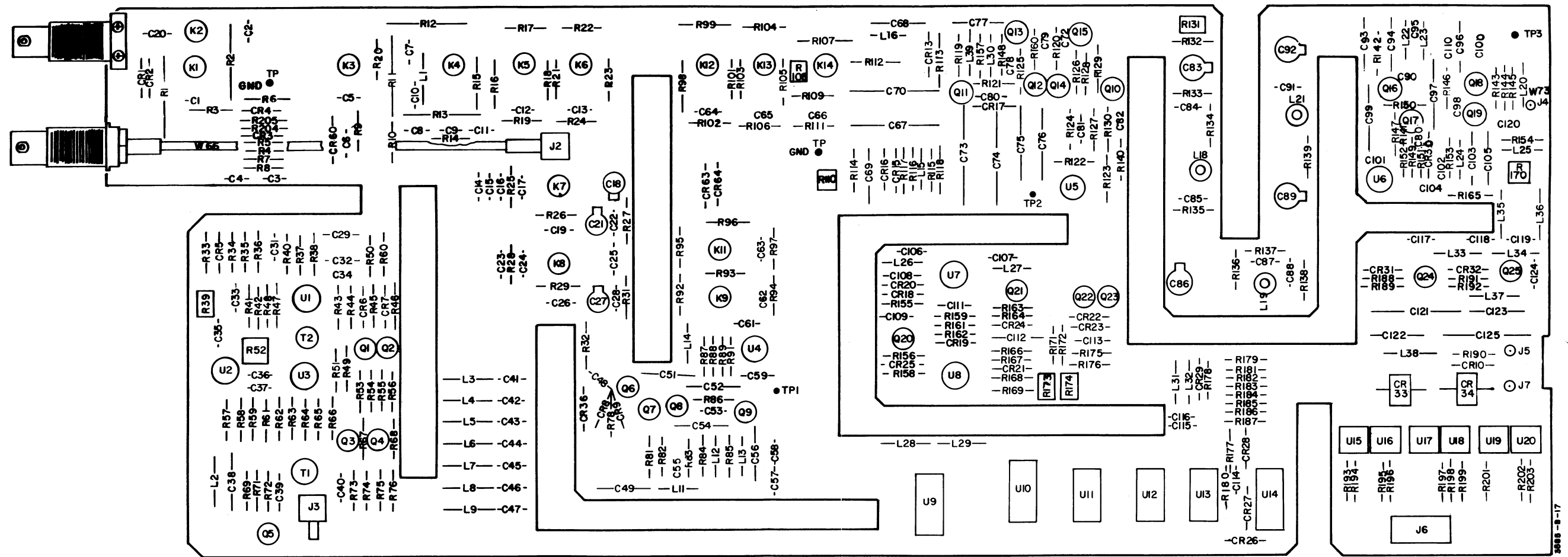
**Table 10-1. Instrument Functional Groups**

Group	Description
A	RF/IF
B	Local Oscillator
C	Central Processor
D	Display
E	Tracking Generator
F	HP-IB
G	Counter
H	Plotter
I	Power Supplies

The schematic designators also correspond to the service group divisions found in Section VIII of this volume and the Service information found in Volume III. This will aid in cross referencing schematics to other sections of the manual set.

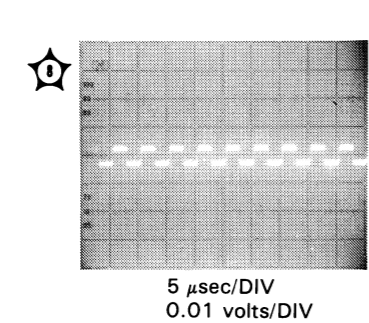
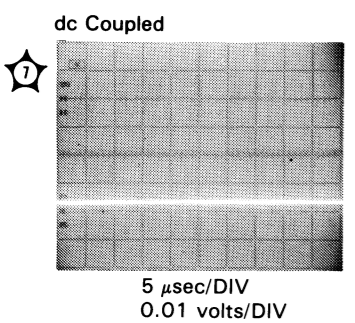
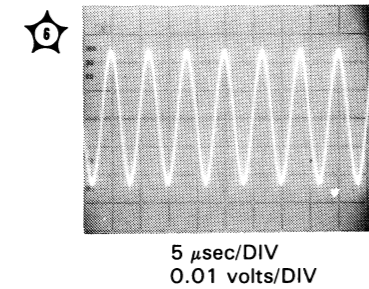
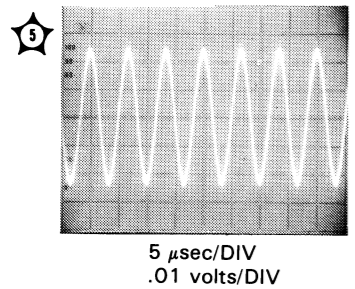
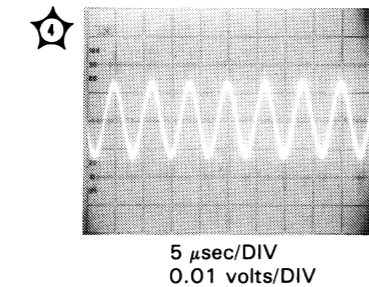
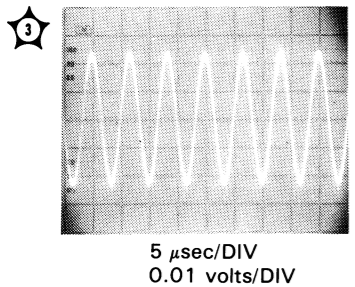
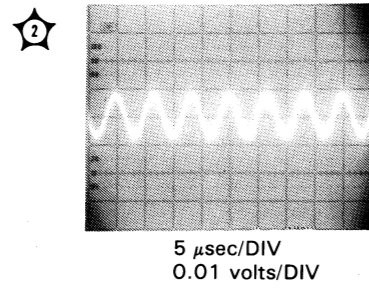
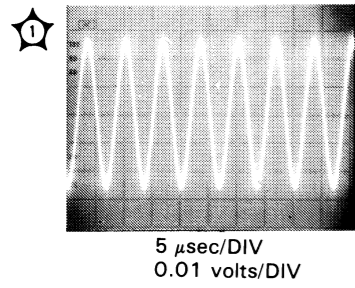
Table 10-2. List of Schematics

Board Designator	SG/Schematic Number	Board Name	Page
A1	A-1a	Input/Conversion	10-5/10-6
A1	A-1b	Input/Conversion	10-7/10-8
A2-A5	A-2	Conversion Section	10-9/10-10
A14	A-4	Log Amplifier	10-17/10-18
A15	A-5	Video Filter	10-19/10-20
A16	A-6	Analog-To-Digital Converter	10-21
A17	A-3a	IF Filter No. 1	10-11/10-12
A18	A-3b	IF Gain	10-13/10-14
A19	A-3c	IF Filter No. 2	10-15/10-16
A21	B-1a	90/10MHz/Ref	10-23/10-24
A22	B-2a	First LO VTO	10-27/10-28
A23	B-3a	Step Synthesizer VTO	10-37/10-38
A24	B-2b	First LO Buffer	10-29/10-30
A25	B-2c	Sum Loop Mixer	10-31/10-32
A26	B-3b	Step Phase Detector	10-39/10-40
A27	B-2d	First LO VTO Control	10-33/10-34
A28	B-2e	Sum Loop Phase Detector	10-35/10-36
A31	B-4a	VTO and Dividers	10-41
A32	B-4b	Analog	10-43/10-44
A33	B-4c	Divided By N Counter	10-45/10-46
A34	B-5	Interface And Trigger	10-47/10-48
A41	C-1	Central Processor	10-49/10-50
A42	C-2	RAM Board	10-51/10-52
A43	C-3	ROM Board	10-53/10-54
A44	F	HP-IB Interface	10-75/10-76
A45	C-4	I/O Board	10-55/10-56
A45	C-5	I/O Board	10-57/10-58
A46	G-1	Counter	10-77/10-78
A47	C-6	Keyboard	10-59/10-60
A50/A51	E-1	Phase Detector	10-71/10-72
A52/A53	E-2	Tracking Generator/100.35MHz VCO	10-73/10-74
A61	D-1	Clock Generator	10-61/10-62
A62	H	X-Y Plotter	10-79/10-80
A63	D-2	Digital Display Driver	10-63/10-64
A64	D-3	Analog Display Driver	10-65/10-66
A65/A66	D-4b	Hi Voltage Board	10-69/10-70
A67	D-4a	XYZ Board	10-67/10-68
A71	I-2a	+ 7.7V Power Supply	10-85/10-86
A72	I-2b	+ 5V Power Supply	10-87/10-88
A73	I-2c	+ 18V, + 12V Power Supply	10-89/10-90
A74	I-2d	- 18V Power Supply	10-91/10-92
A75	I-1a	Power Supply Control	10-81/10-82
A76	I-1b	Power Distribution	10-83/10-84
A81	B-1b	Oven Oscillator	10-25/10-26



A1  
03585-66501

3888-B-17



NOTE

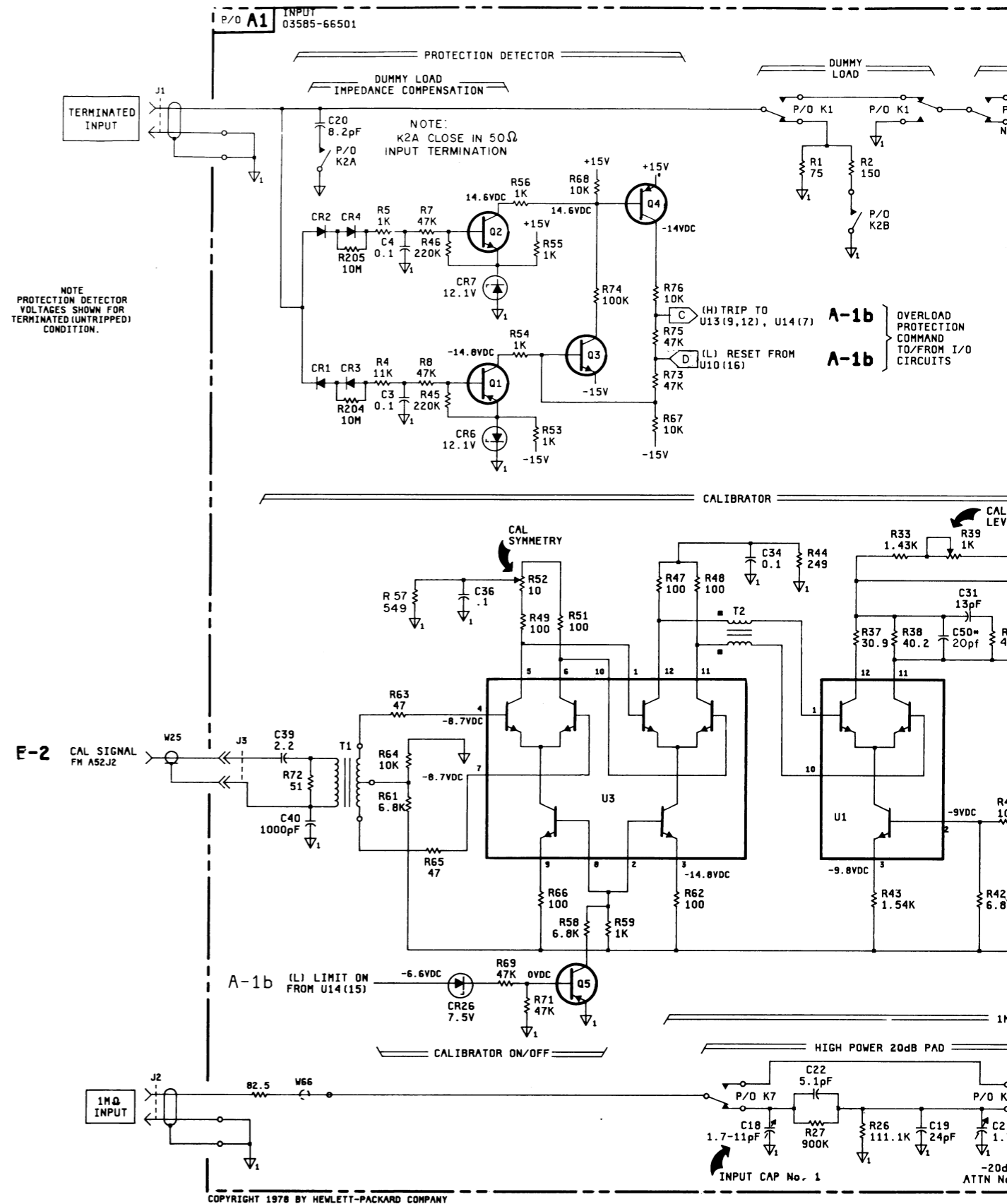
All waveforms are taken using a 10:1 probe and ac coupling unless otherwise noted.

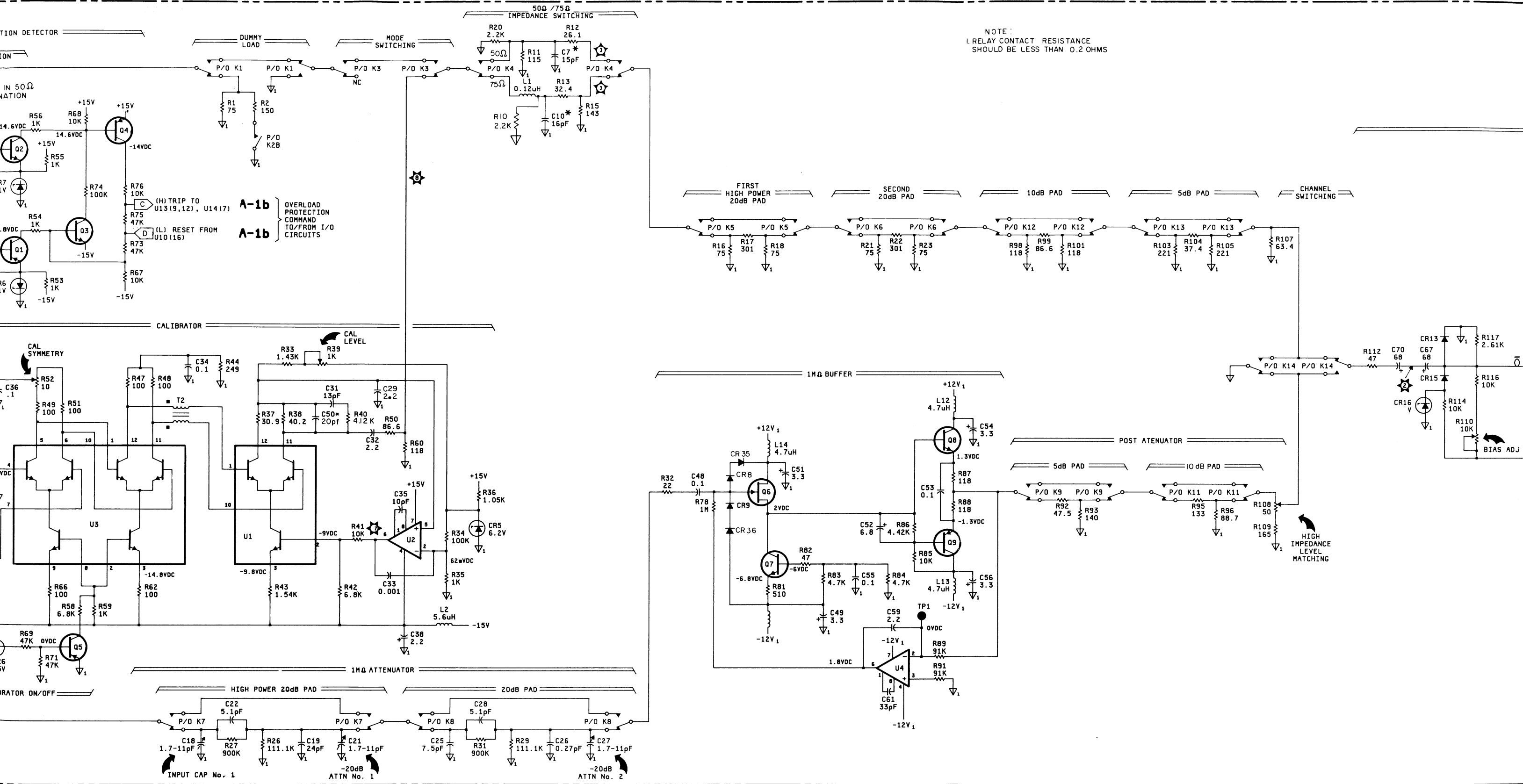
Set-up Conditions:

1. Input a 150 KHz, 0 dBm signal at the Terminated Input.
2. Press Instrument Preset.
3. Set RANGE to -15 dBm.

Set-up Conditions:

1. Press RECALL 605
2. Press Instrument Preset.
3. Set Manual Frequency to 200 KHz.





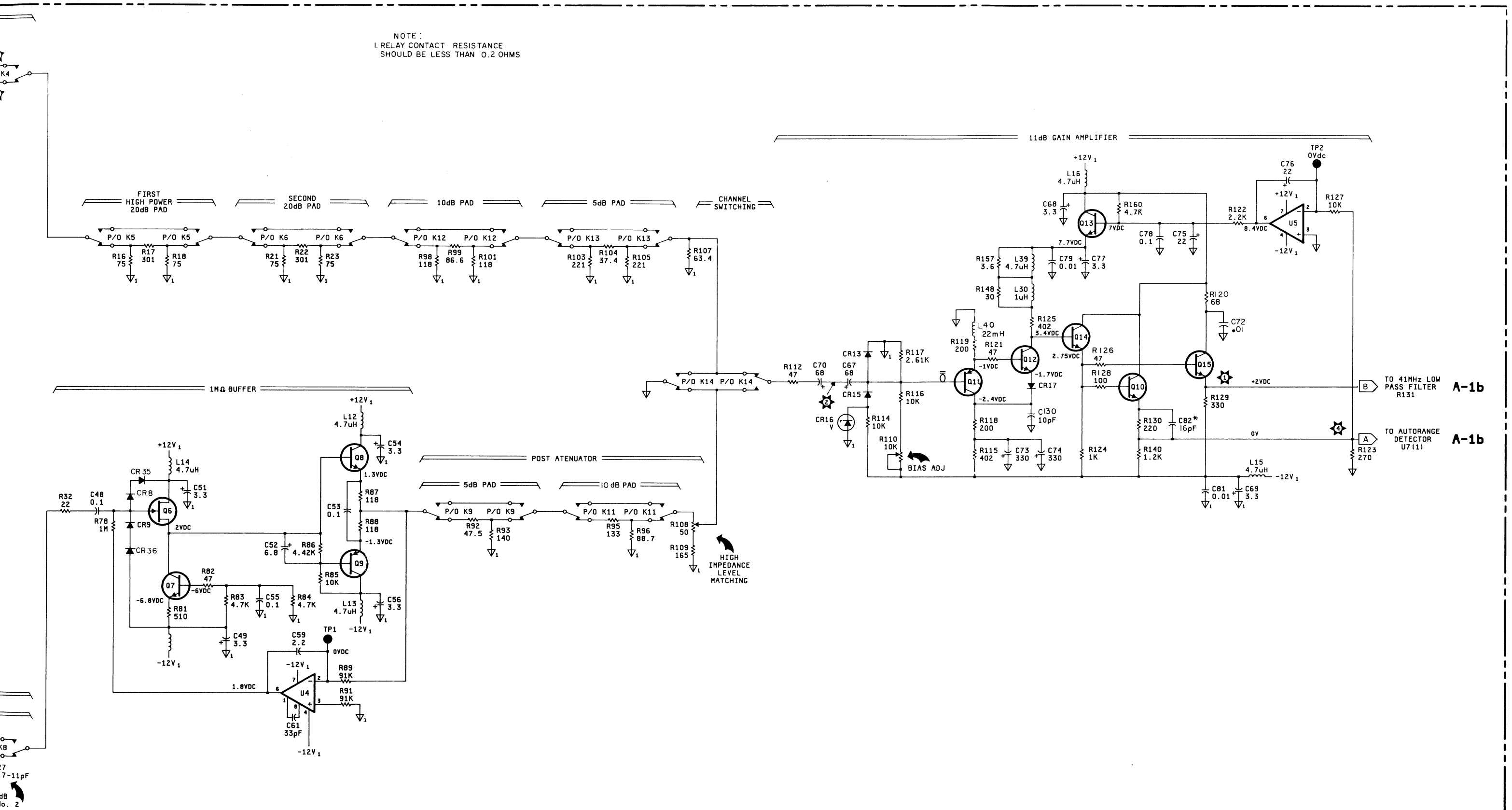
NOTE:  
1. RELAY CONTACT RESISTANCE  
SHOULD BE LESS THAN 0.2 OHMS

A-1b OVERLOAD PROTECTION  
A-1b COMMAND TO/FROM I/O CIRCUITS

HIGH IMPEDANCE LEVEL MATCHING

INPUT CAP No. 1  
-20dB ATTN No. 1  
-20dB ATTN No. 2

NOTE:  
1. RELAY CONTACT RESISTANCE  
SHOULD BE LESS THAN 0.2 OHMS



A-1b  
A-1b

# A-1a

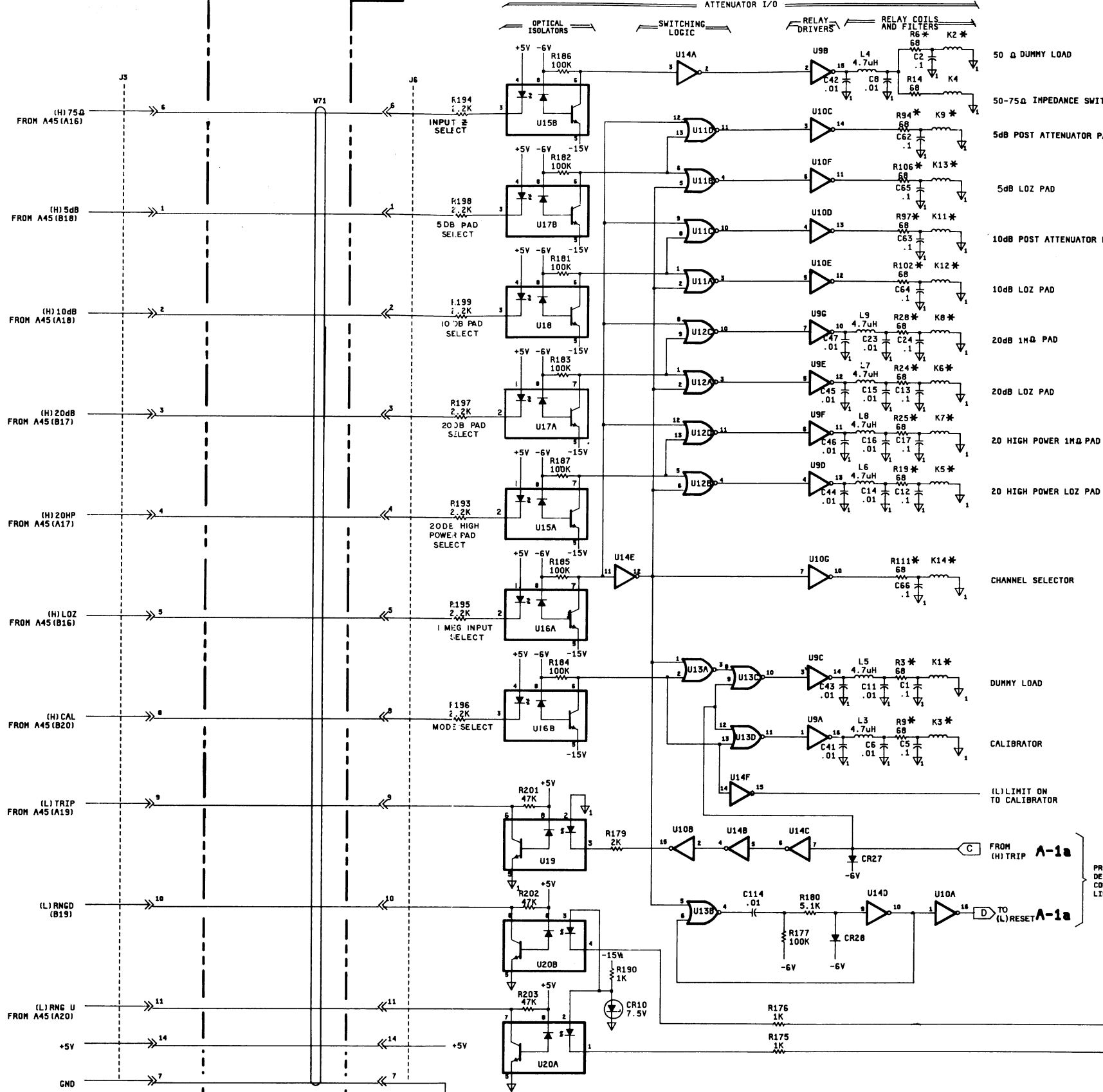
### Range Switching

Opto-Isolator Inputs					Opto-Isolator Outputs				
Range (dBm)	R198	H ≥ 3.5V; L ≤ 0.6V R199      R193		R197	Range (dBm)	U17(6)	H ≥ -7V; L ≤ -14V U18(6)      U15(7)		U17(7)
-25	L	L	L	L	-25	L	L	L	L
-20	H	L	L	L	-20	H	L	L	L
-15	L	H	L	L	-15	L	H	L	L
-10	H	H	L	L	-10	H	H	L	L
-5	L	L	H	L	-5	L	L	H	L
0	H	L	H	L	0	H	L	H	L
5	L	H	H	L	5	L	H	H	L
10	H	H	H	L	10	H	H	H	L
15	L	L	H	H	15	L	L	H	H
20	H	L	H	H	20	H	L	H	H
25	L	H	H	H	25	L	H	H	H
30	H	H	H	H	30	H	H	H	H

Lo Impedance Channel				Hi Impedance Channel			
U10(11)	H ≥ 0.6V; L ≤ -13.5V U10(12)      U9(13)		U9(12)	U10(14)	H ≥ -0.6V; L ≤ -13.5V U10(13)      U9(11)		U9(10)
L	L	L	L	L	L	L	L
H	L	L	L	H	L	L	L
L	H	L	L	L	H	L	L
H	H	L	L	H	H	L	L
L	L	H	L	L	L	H	L
H	L	H	L	H	L	H	L
L	H	H	L	L	H	H	L
H	H	H	L	H	H	H	L
L	L	H	H	L	L	H	H
H	L	H	H	H	L	H	H
L	H	H	H	L	H	H	H
H	H	H	H	H	H	H	H

Lo Impedance Switching Logic Outputs				Hi Impedance Switching Logic Outputs			
U11(4)	H ≥ -8V; L ≤ -14V U11(3)      U12(4)		U12(3)	U11(11)	H ≥ -8V; L ≤ -14V U11(10)      U12(11)		U12(10)
H	H	H	H	H	H	H	H
L	H	H	H	L	H	H	H
L	L	H	H	L	L	H	H
H	H	L	H	H	H	L	H
L	H	L	H	L	H	L	H
H	L	L	H	H	L	L	H
L	L	L	H	L	L	L	H
H	H	L	L	H	H	L	L
L	L	L	L	L	L	L	L
H	L	L	L	H	L	L	L
L	L	L	L	L	L	L	L





RELAY COIL DATA

K1-9, 11-14*	LIMIT RESISTOR*
5VDC RELAY	8.25V ZENER
9VDC RELAY	3.65V ZENER
12VDC RELAY	68 OHM RESISTOR

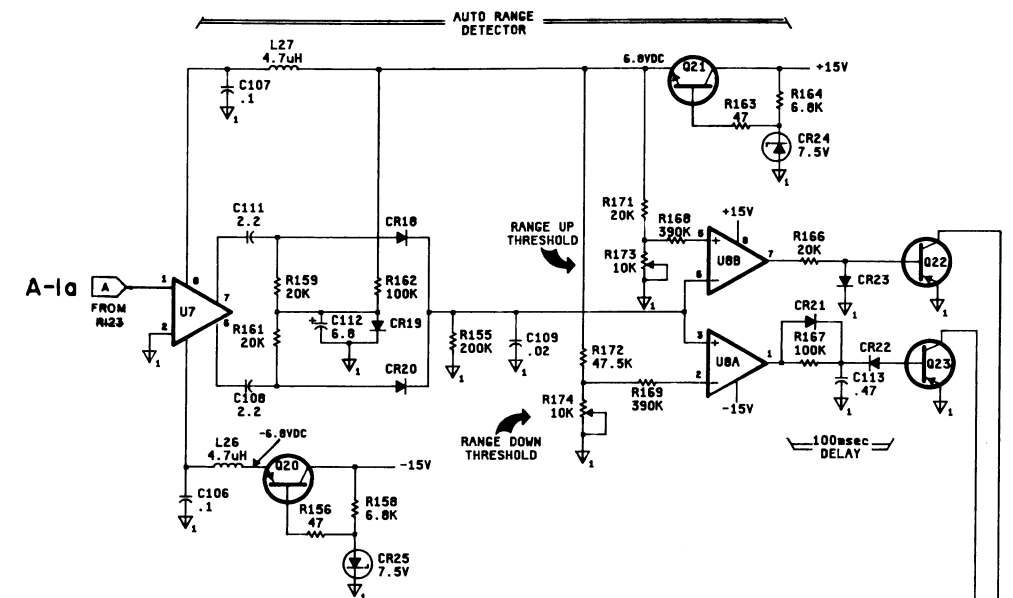
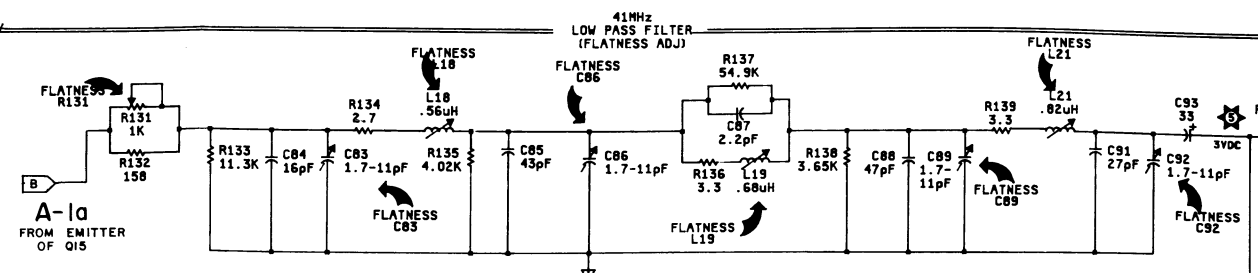
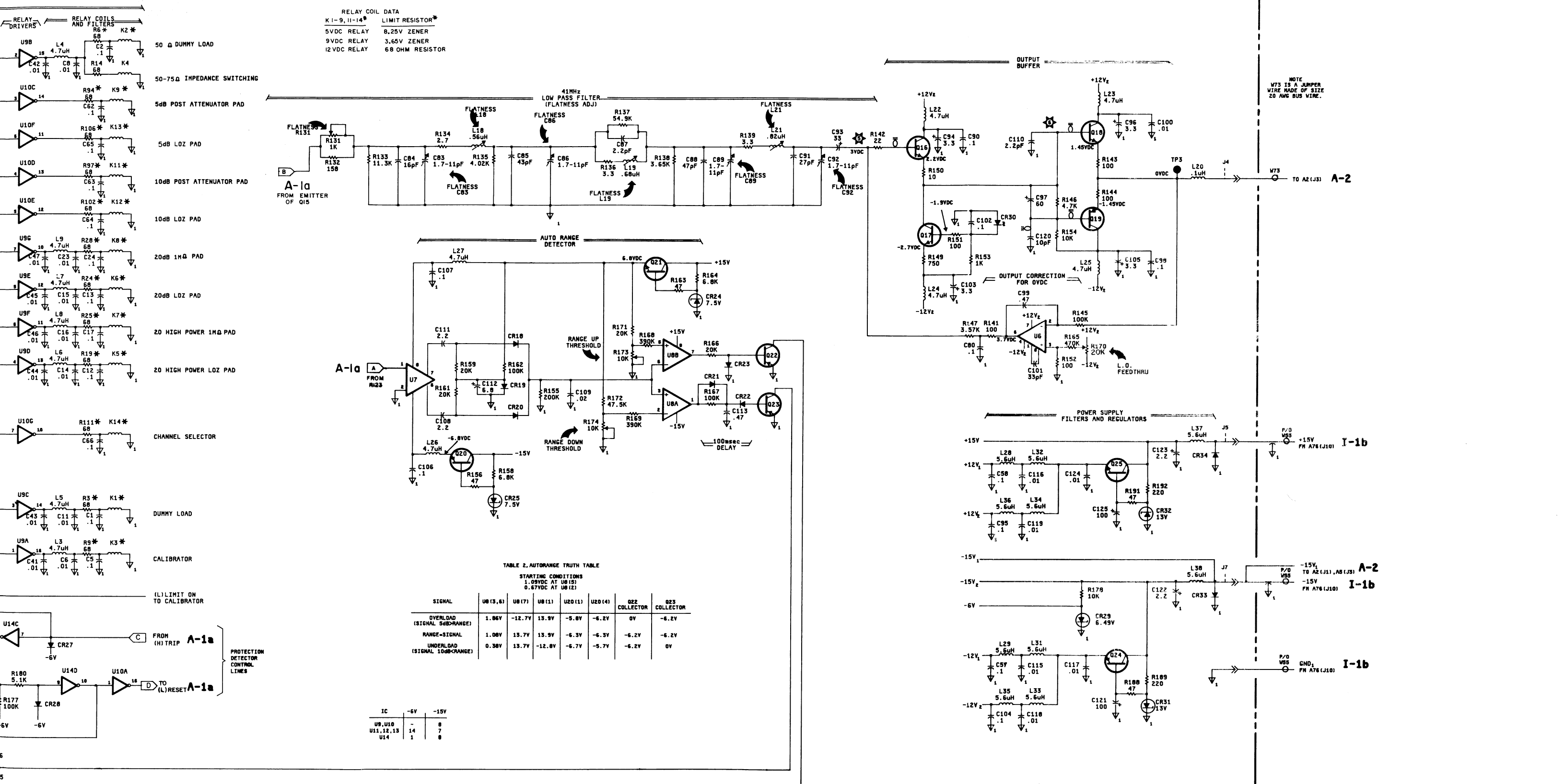


TABLE 2. AUTORANGE TRUTH TABLE

STARTING CONDITIONS  
1. 0.9VDC AT U8 (S)  
0.87VDC AT U8 (I)

SIGNAL	U8 (S, 6)	U8 (I)	U8 (1)	U20 (1)	U20 (4)	Q22 COLLECTOR	Q23 COLLECTOR
OVERLOAD (SIGNAL 5dB-RANGE)	1.06V	-12.7V	13.9V	-5.8V	-6.2V	0V	-6.2V
RANGE-SIGNAL	1.08V	13.7V	13.9V	-6.3V	-6.2V	-6.2V	-6.2V
UNDERLOAD (SIGNAL 10dB-RANGE)	0.38V	13.7V	-12.8V	-6.7V	-6.2V	0V	0V

IC	-6V	-15V
U8, U10	-	0
U11, 12, 13	14	7
U14	1	0



**TABLE 2. AUTORANGE TRUTH TABLE**

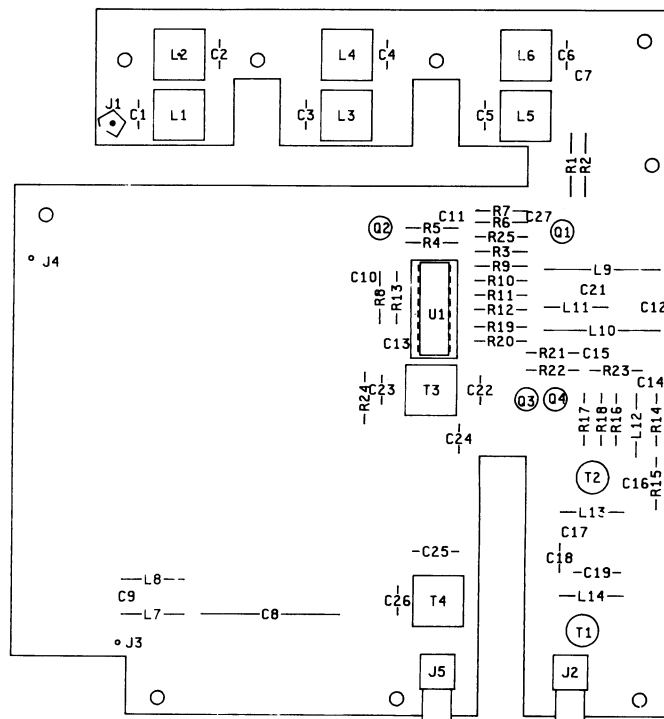
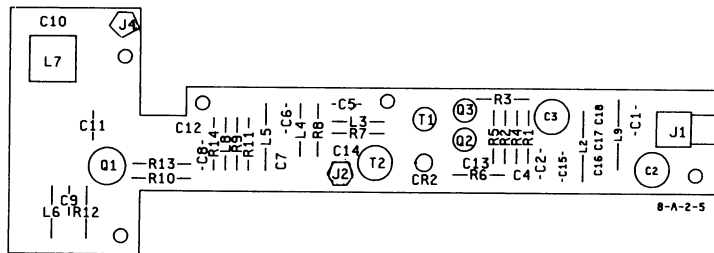
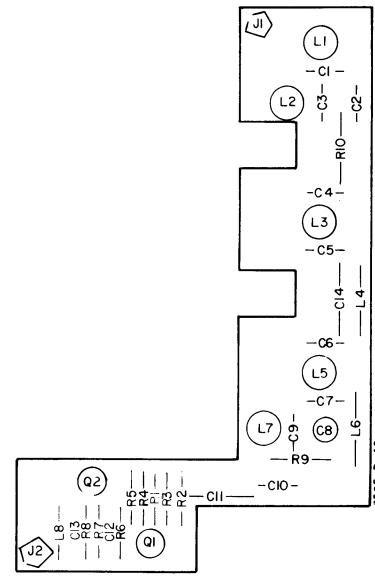
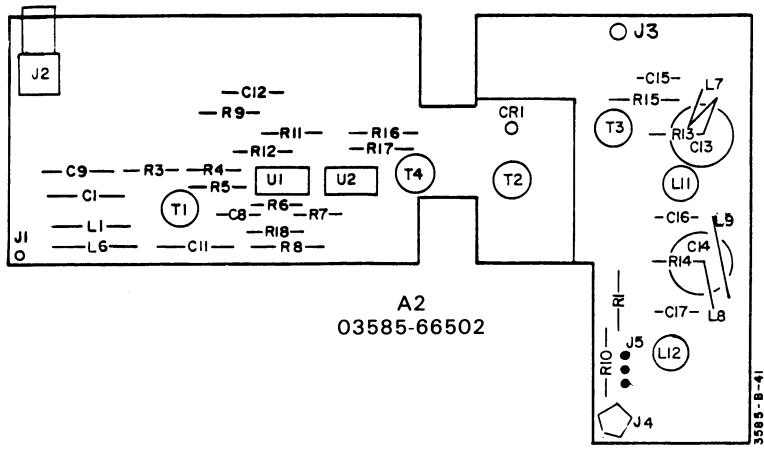
STARTING CONDITIONS  
1.8VDC AT U8 (5)  
0.87VDC AT U8 (2)

SIGNAL	U8 (3,6)	U8 (7)	U8 (1)	U20 (1)	U20 (4)	Q22 COLLECTOR	Q23 COLLECTOR
OVERLOAD (SIGNAL 5dB-RANGE)	1.86V	-12.7V	13.9V	-5.8V	-6.2V	0V	-6.2V
RANGE-SIGNAL	1.08V	13.7V	13.9V	-6.3V	-6.3V	-6.2V	-6.2V
UNDERLOAD (SIGNAL 10dB-RANGE)	0.38V	13.7V	-12.8V	-6.7V	-5.7V	-6.2V	0V

IC	-6V	-15V
U8, U10	-	0
U11, 12, 13	14	7
U14	1	0

**A-1b**

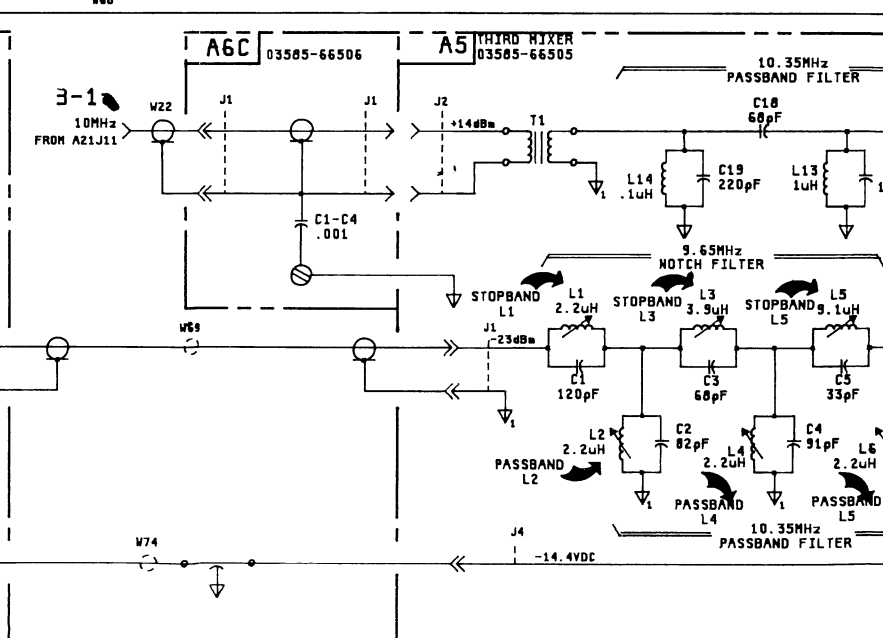
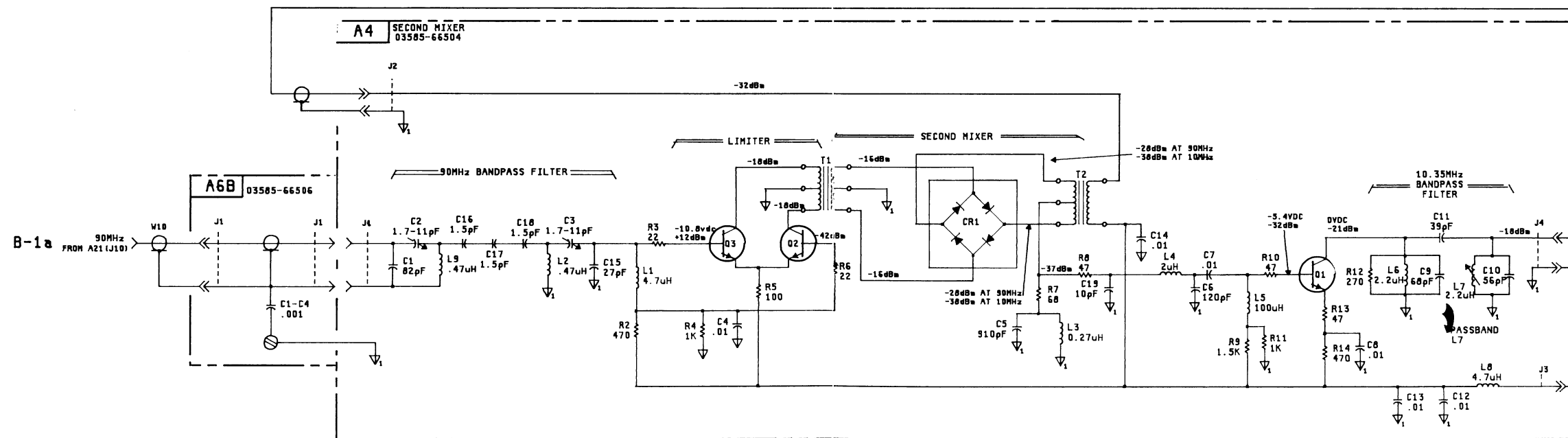
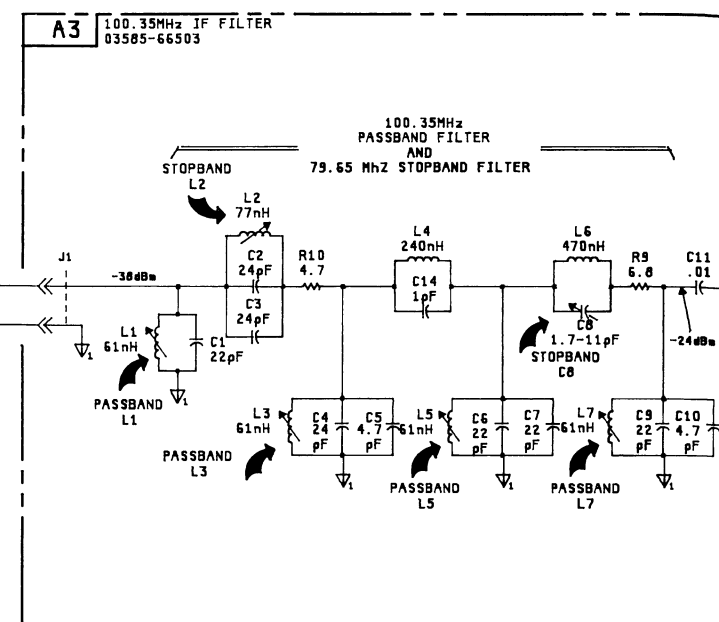
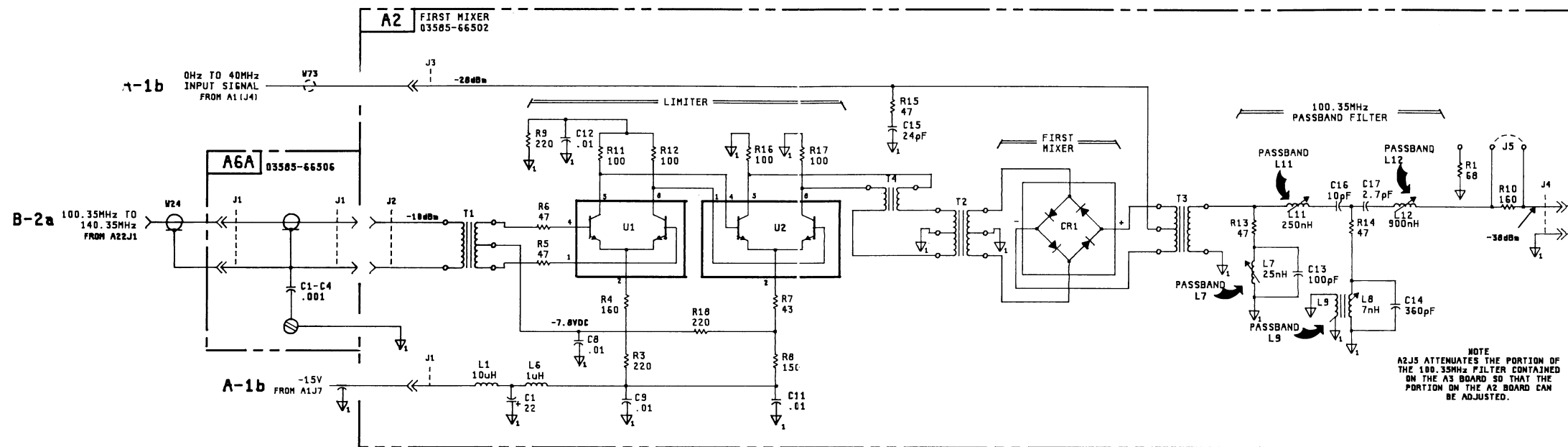


**Measurement Conditions**

1. Enter:  
Recall 603  
Instrument Preset  
Manual Entry 10MHz  
Range - 25dBm  
Autorange Off
2. All dBm measurements should be made with a 50 ohm input spectrum analyzer (-hp-8556B) and a 20:1 resistive divider probe with a 1k ohm resistance (-hp-10020A).
3. The spectrum analyzer/resistive probe combination should be calibrated with an accurate amplitude input signal to reduce errors.
4. All values are nominal, ± 3dB.

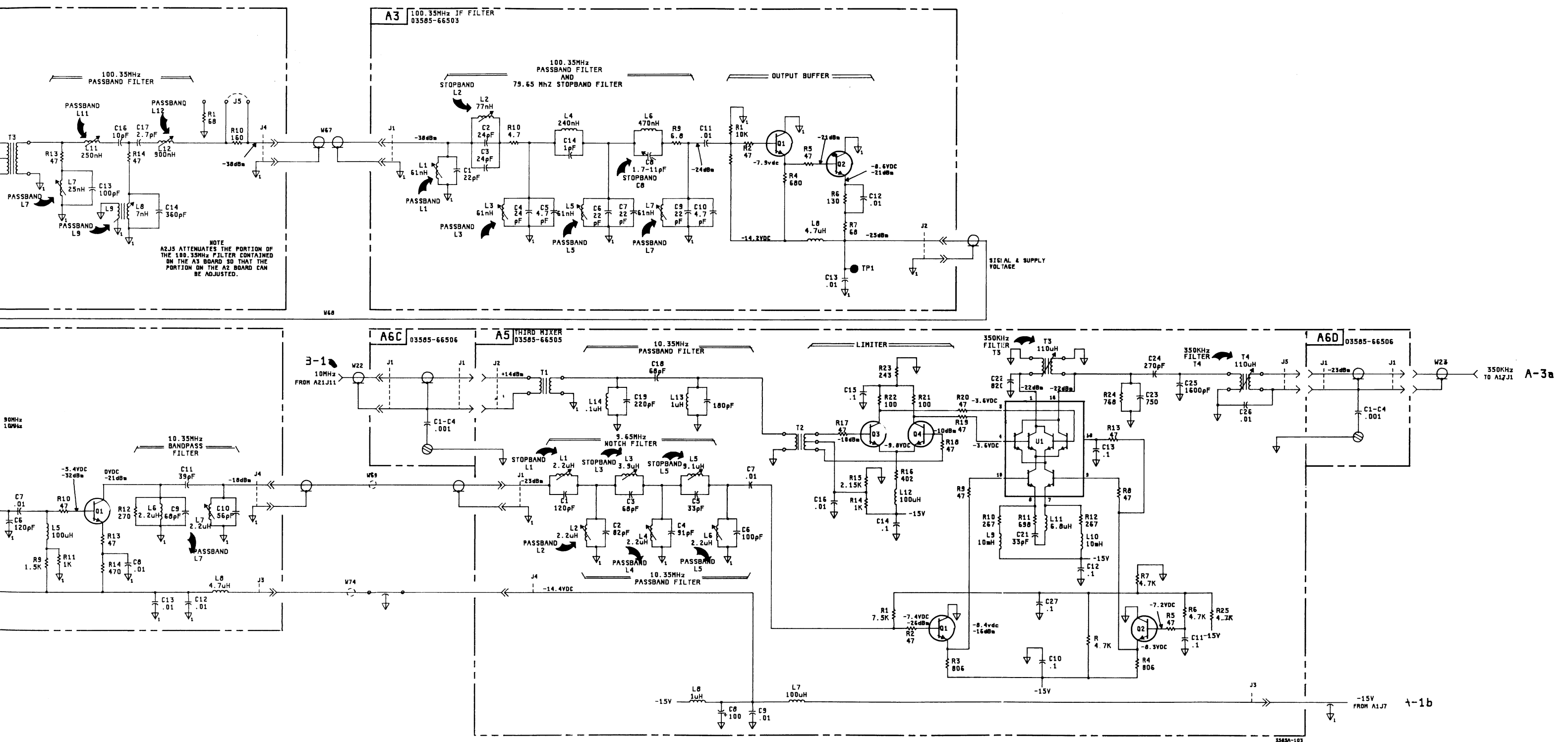
**NOTE**

*The 20:1 probe attenuates the signals actual level at 26dB but does not load down the conversion circuitry. Other types of probes will load down the conversion circuitry.*



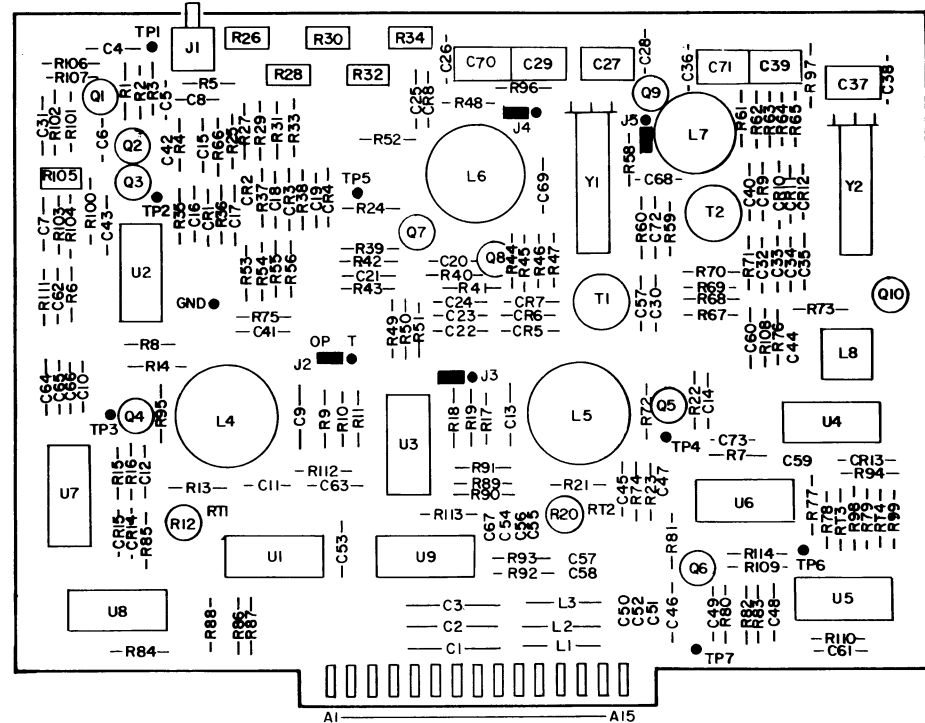
COPYRIGHT 1978 BY HEWLETT-PACKARD COMPANY

-15V

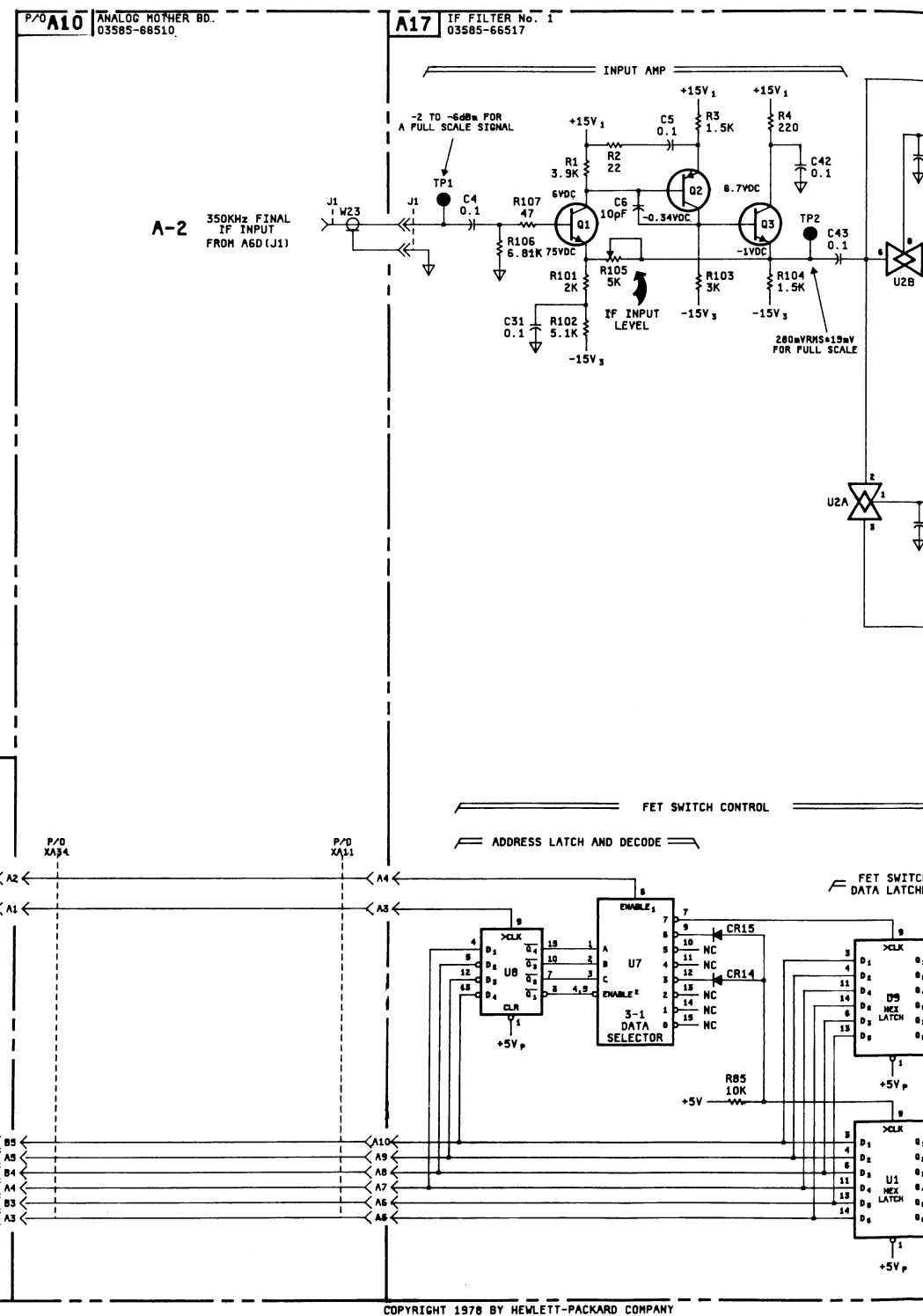


A-2

Figure 10-2. Conversion Section Schematic (66502-66505)  
10-9/10-10



A17  
03585-66517

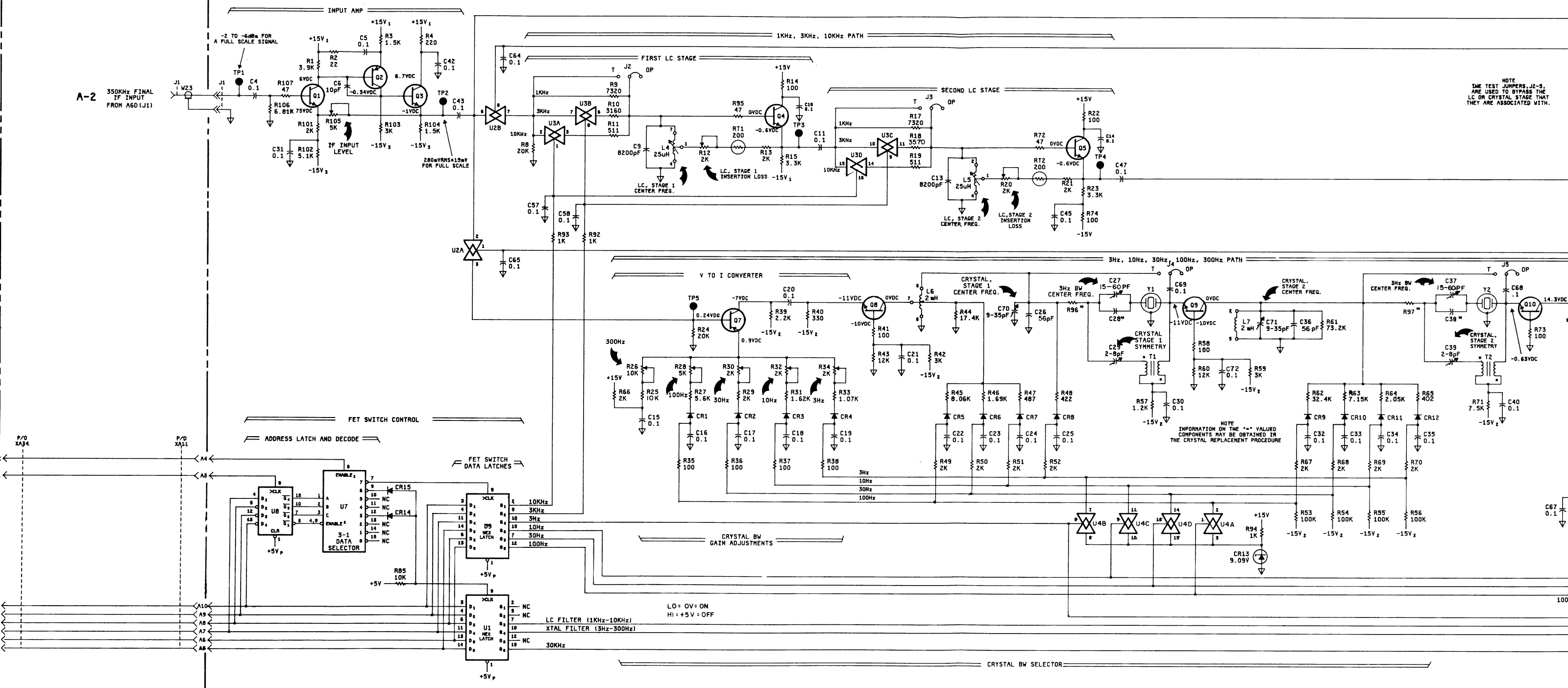


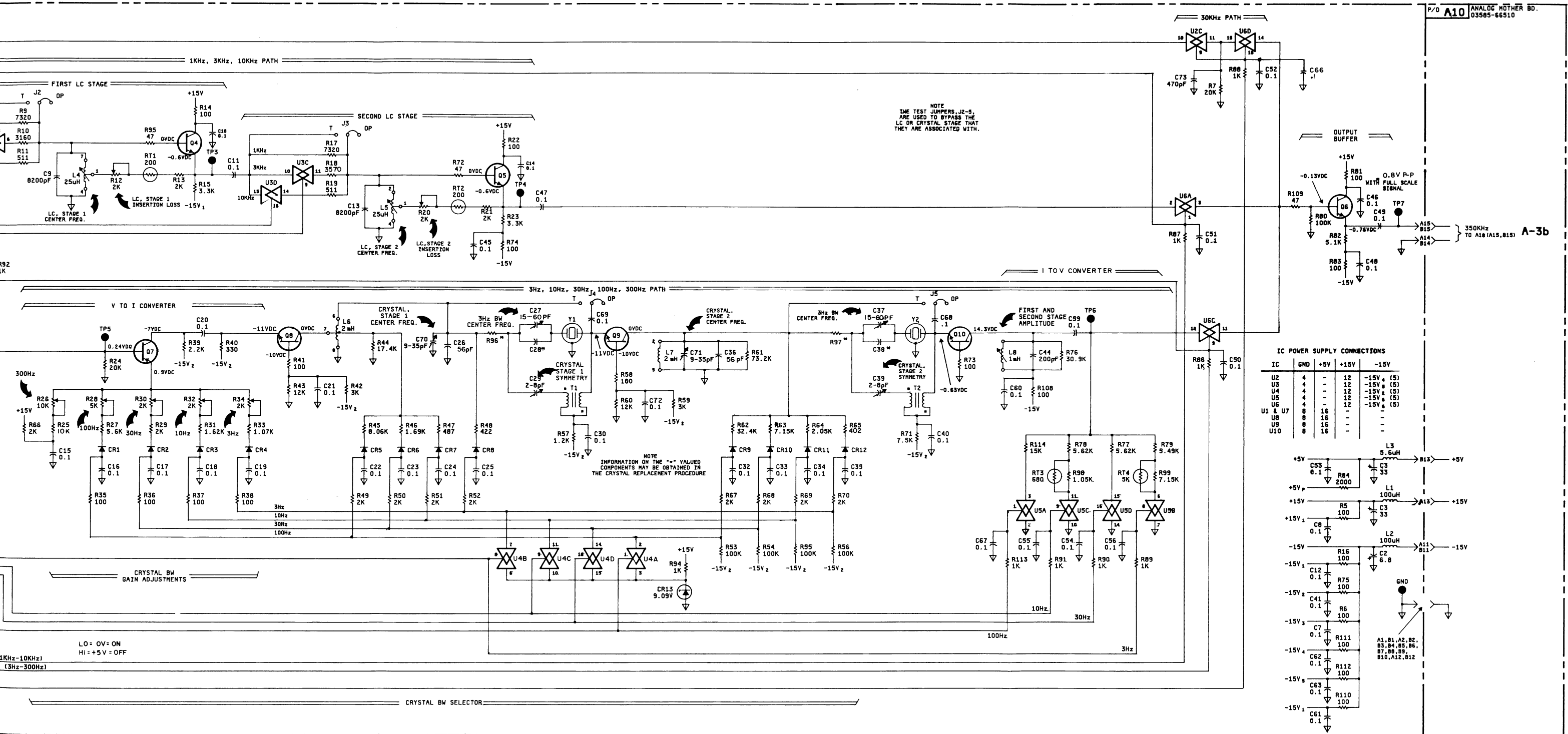
P/O A10 ANALOG MOTHER BD.  
03585-66510

A17 IF FILTER No. 1  
03585-66517

A-2 350kHz FINAL  
IF INPUT  
FROM AGD (J1)

NOTE  
THE TEST JUMPERS, J2-5,  
ARE USED TO BYPASS THE  
LC OR CRYSTAL STAGE THAT  
THEY ARE ASSOCIATED WITH.

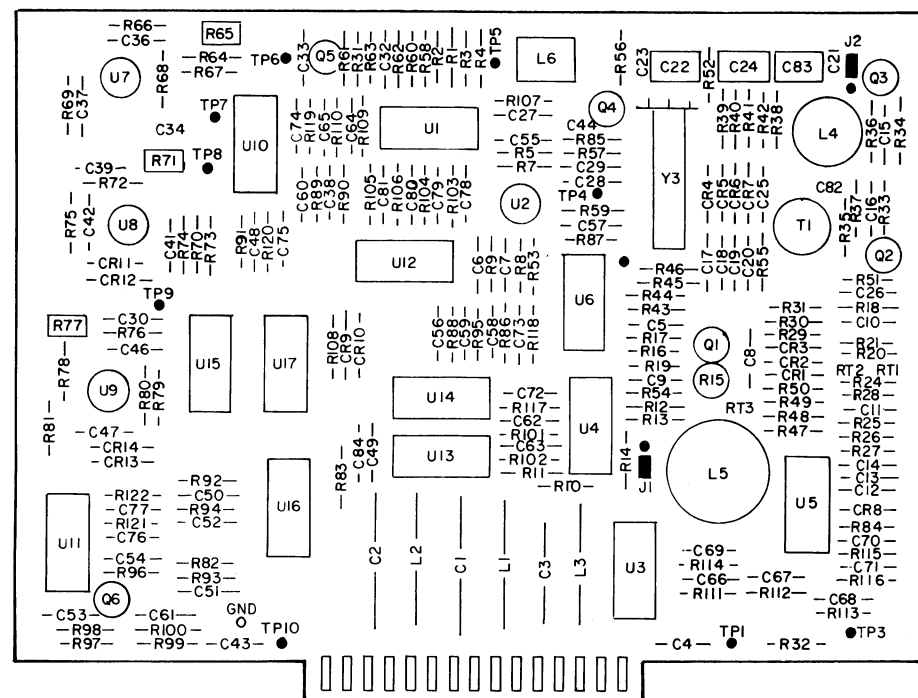




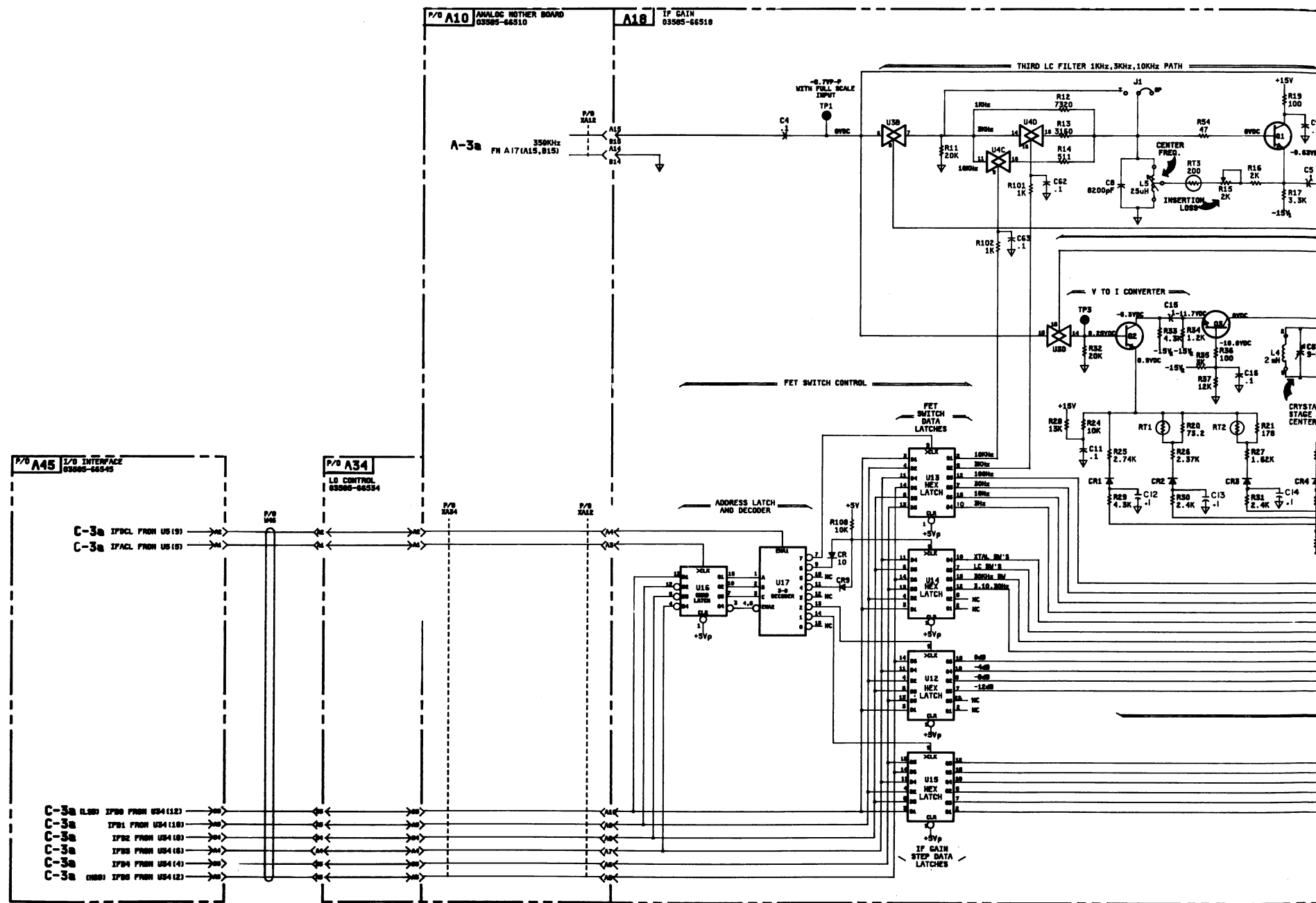
# A-3a

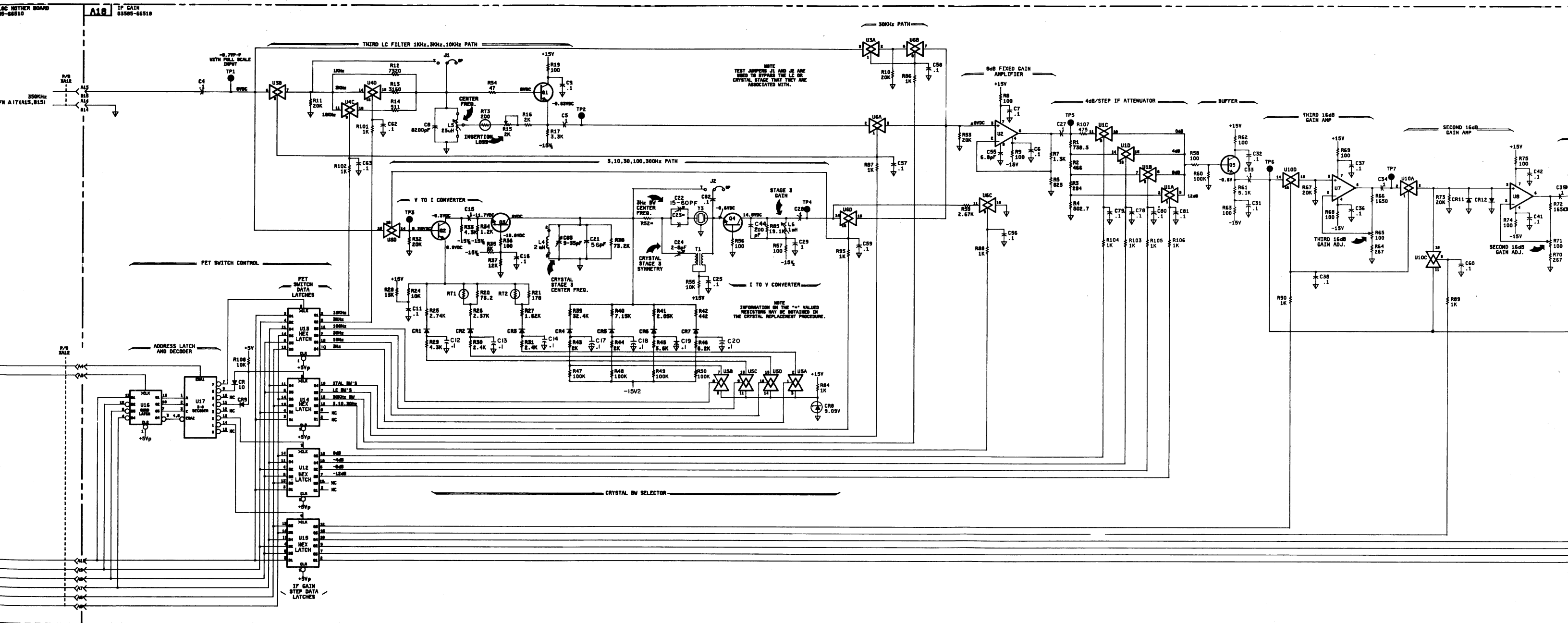
Figure 10-3. IF Filter No. 1 (66517)  
10-11/10-12

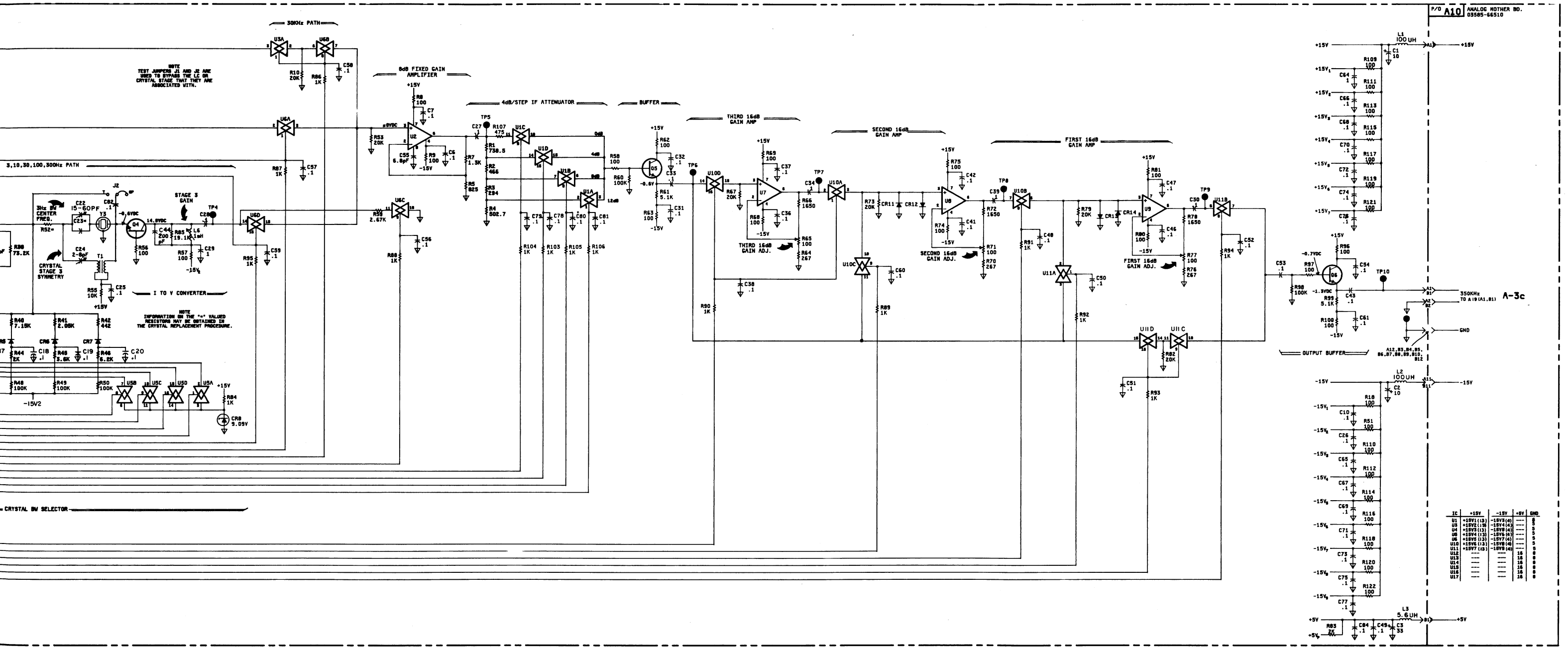




A18  
03585-66518

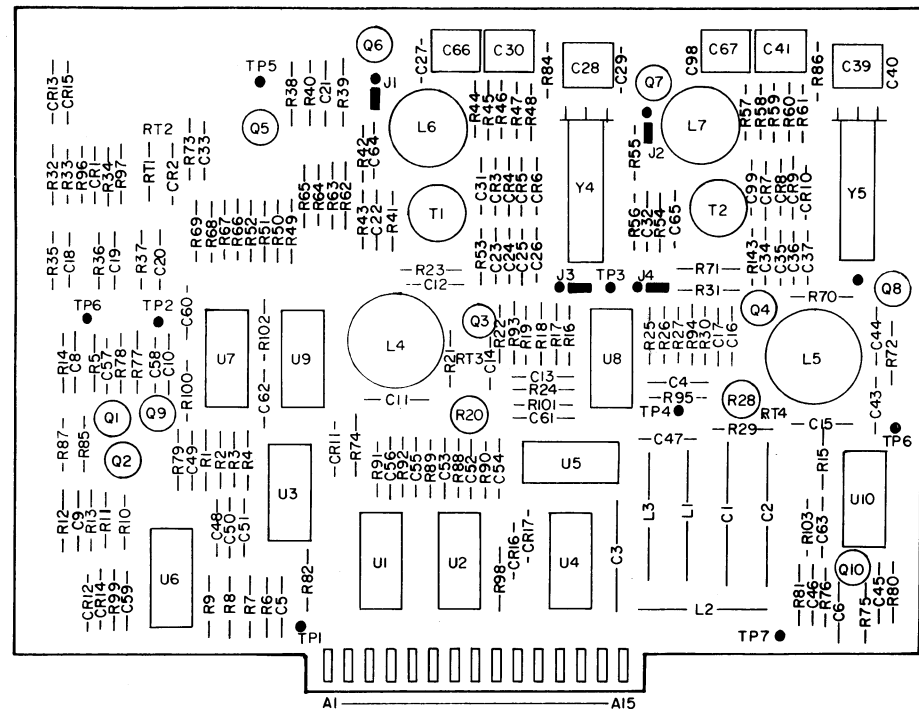




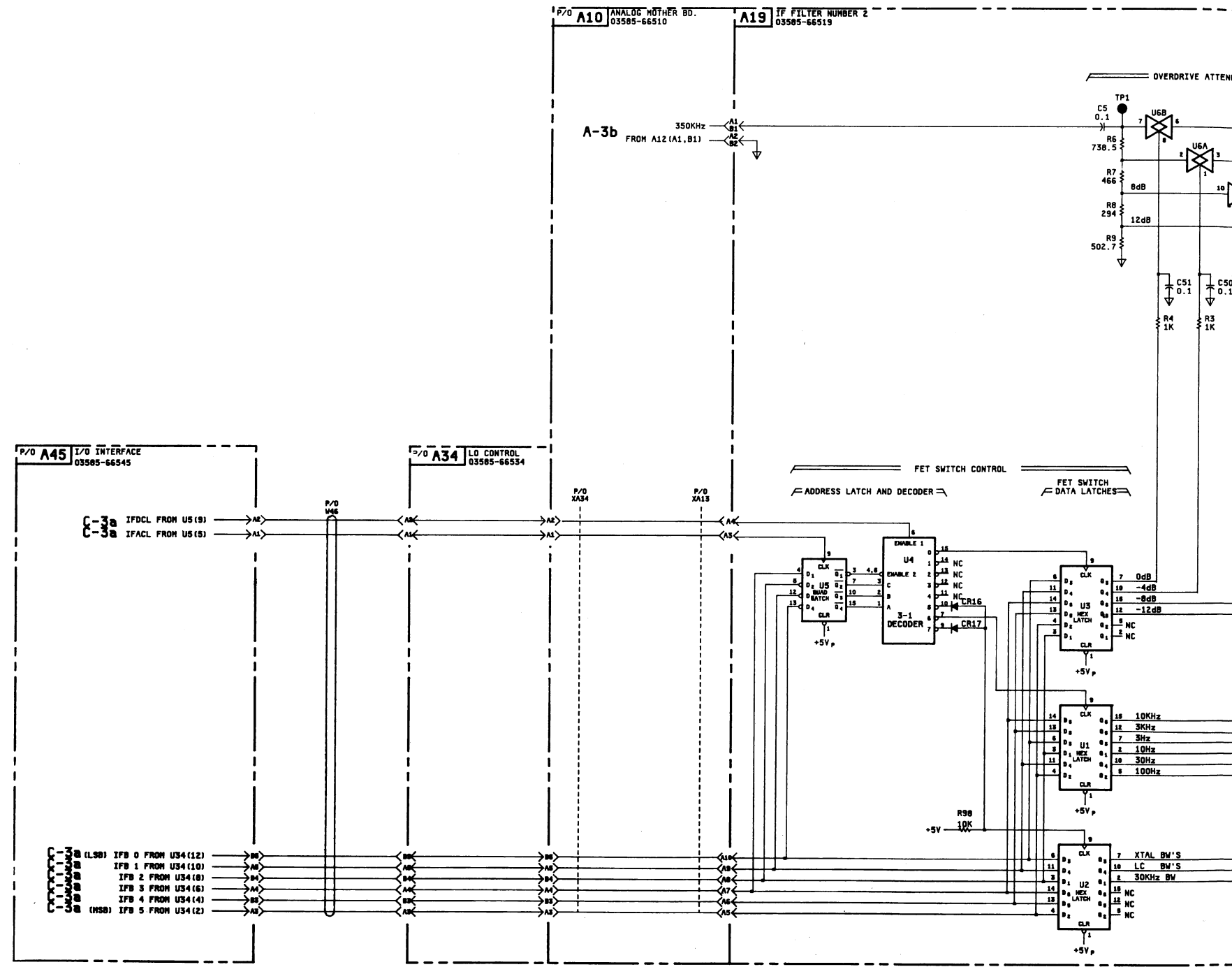


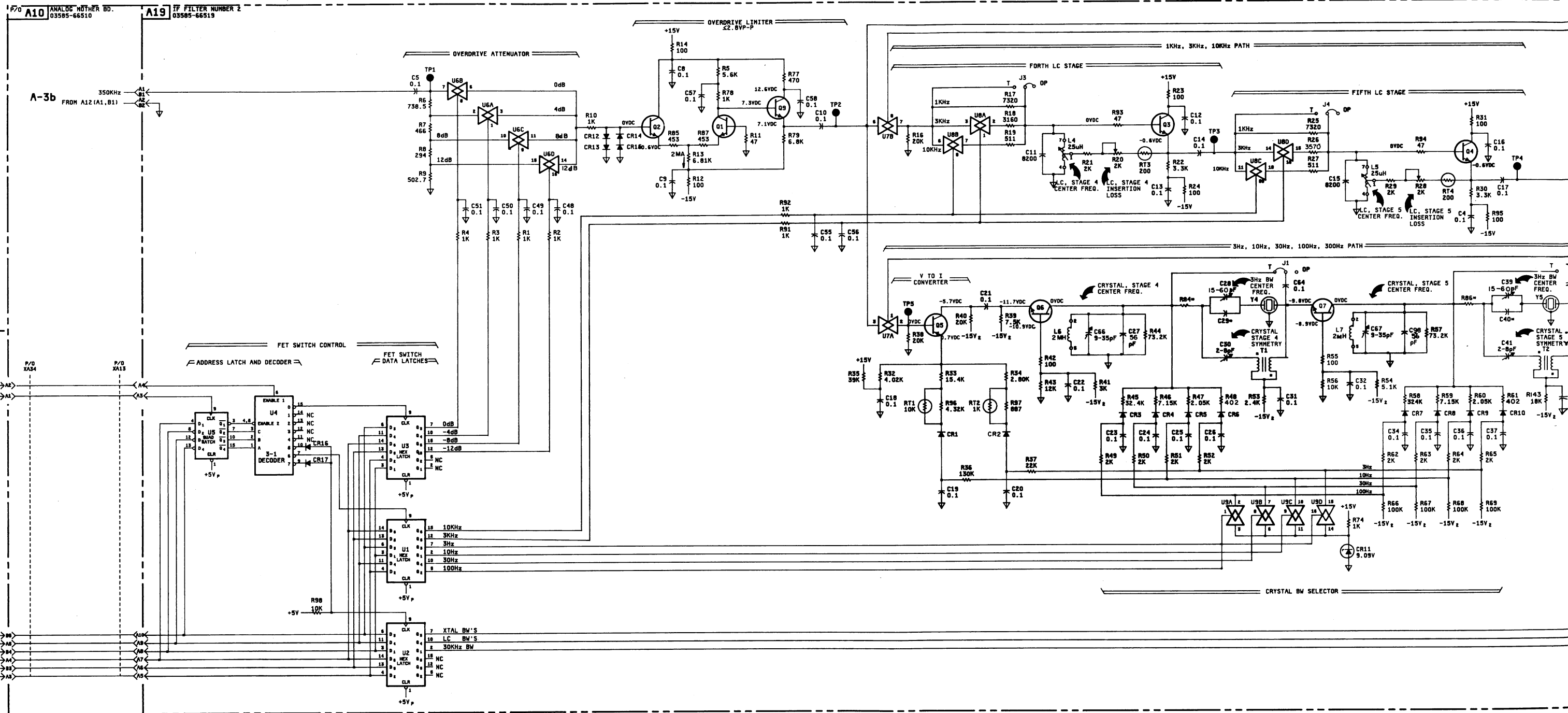
# A-3b

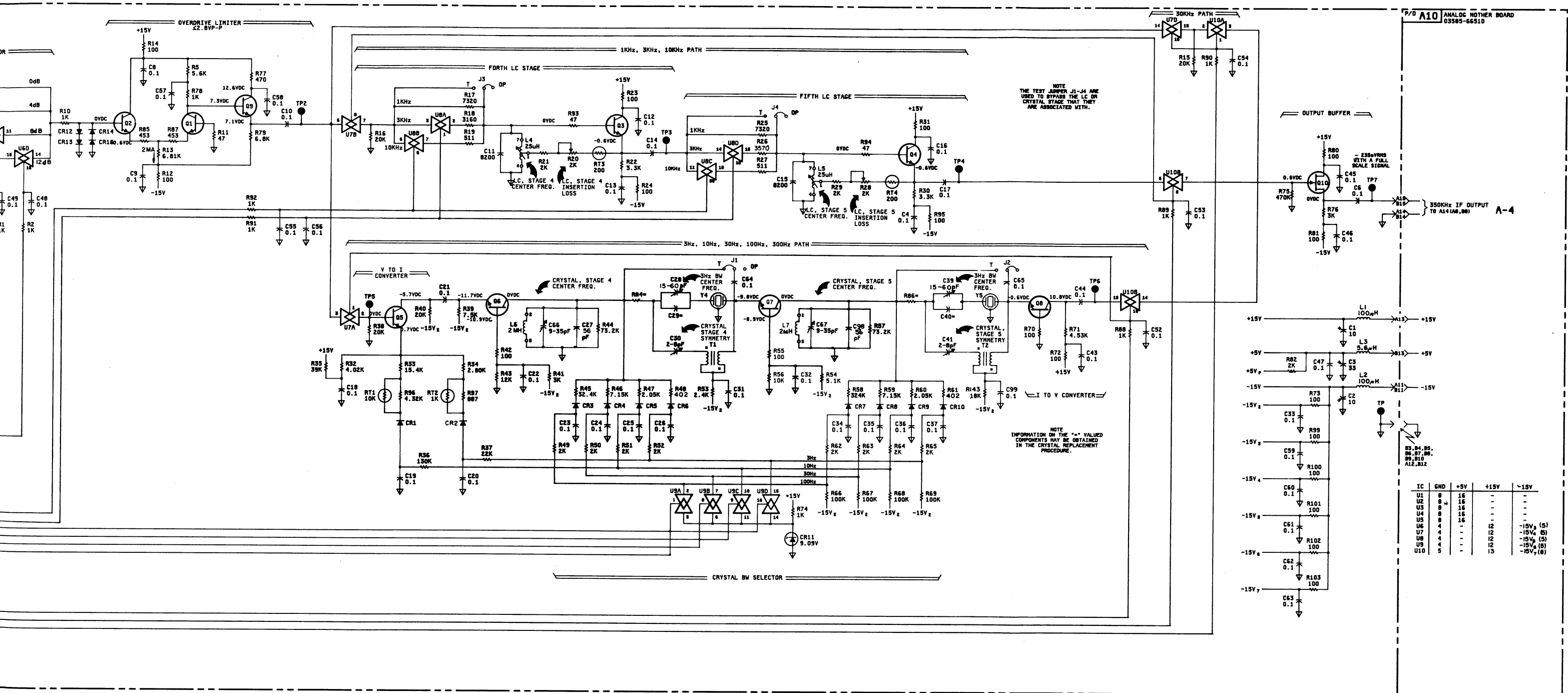
Figure 10-4. IF Gain (66518)  
10-13/10-14



A19  
03585-66518







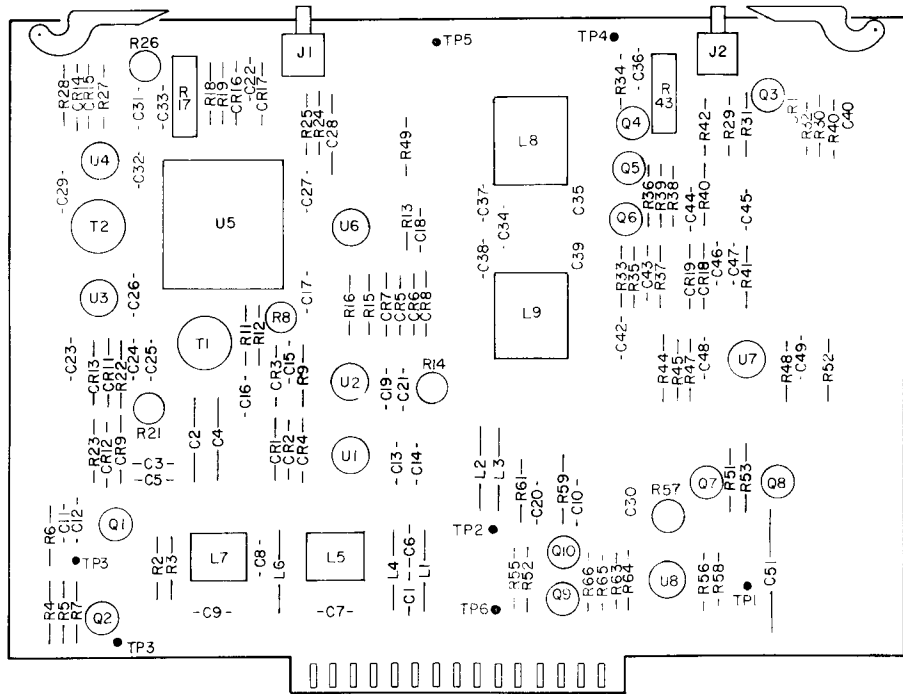
P/O A10 ANALOG MOTHER BOARD 03565-66519

R89, R94, R95, R96, R97, R98, R99, R100, R101, R102, R103

IC	GND	+5V	+15V	-15V
U1	8	16	-	-
U2	8	16	-	-
U4	8	16	-	-
U5	8	16	-	-
U3	8	16	-	-
U6	4	-	12	-15V (5)
U7	4	-	12	-15V (5)
U8	4	-	12	-15V (5)
U9	4	-	12	-15V (5)
U10	5	-	13	-15V (8)

# A-3c

Figure 10-5. IF Filter No. 2 (66519)  
10-15/10-16



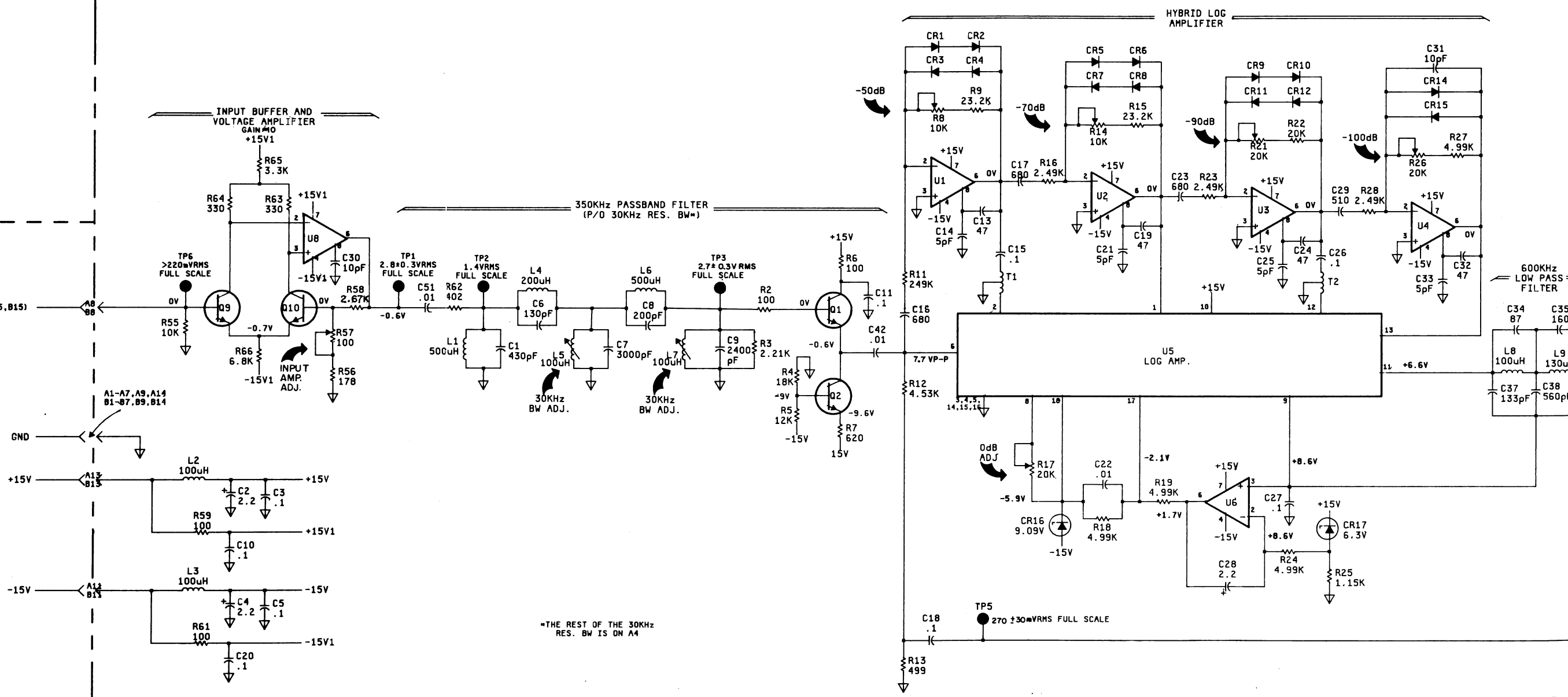
A14  
03585-66514

3585-B-16

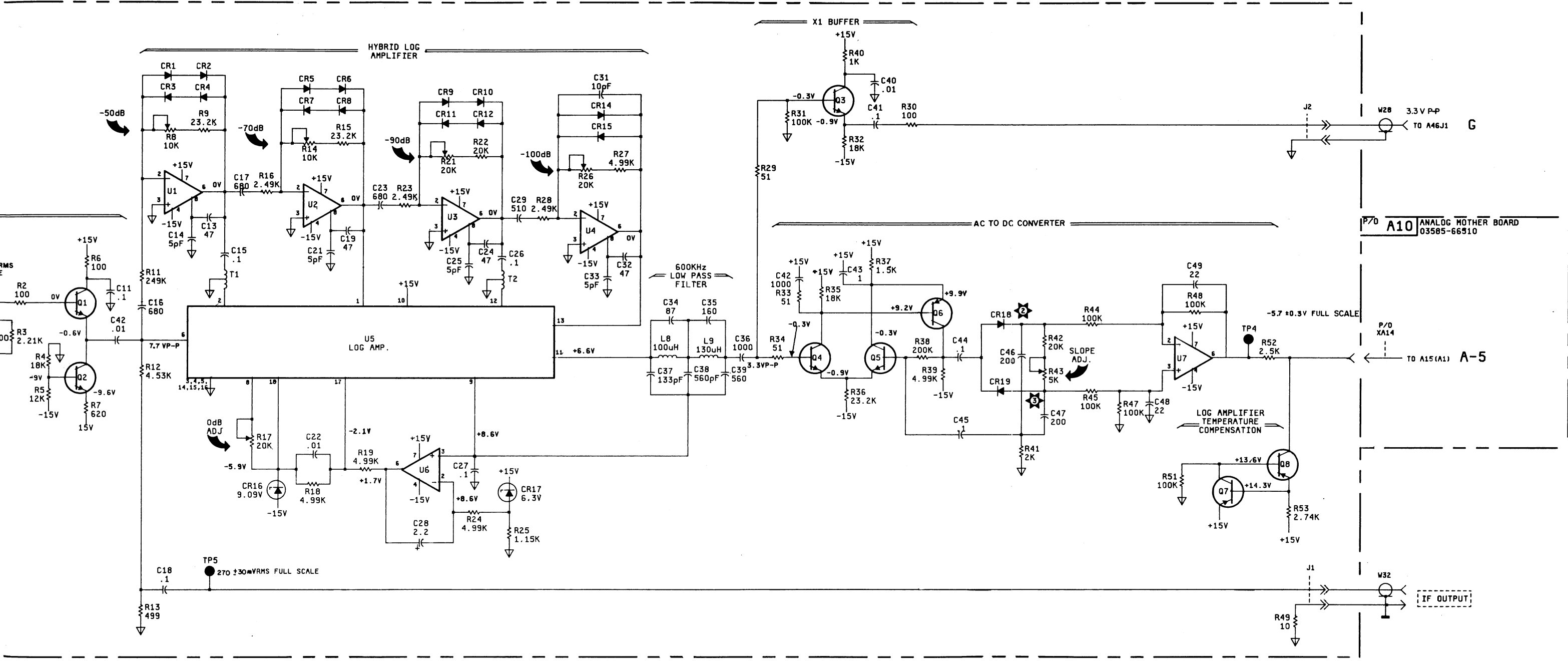
**A14** LOG AMPLIFIER  
03585-66514

P/O **A10** ANALOG MOTHER BOARD  
03585-66510

A-3c FROM A19(A15,B15)



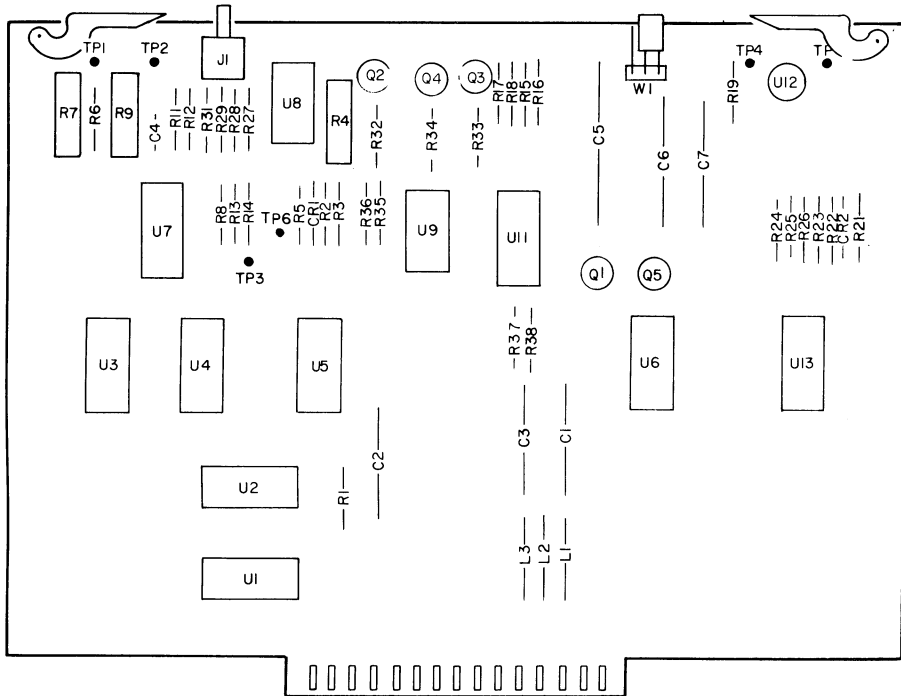




85A-A-4

**A-4**

Figure 10-6. Log Amplifier Schematic (66514)  
10-17/10-18



A15  
03585-66515

**U5 Output Checks.**

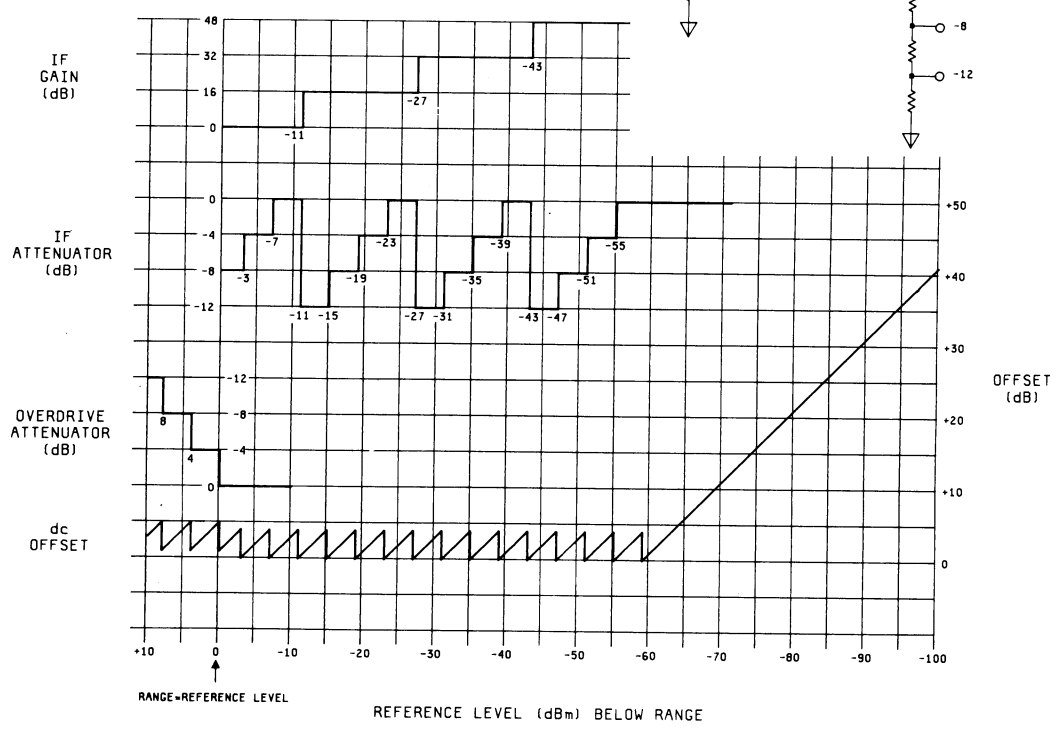
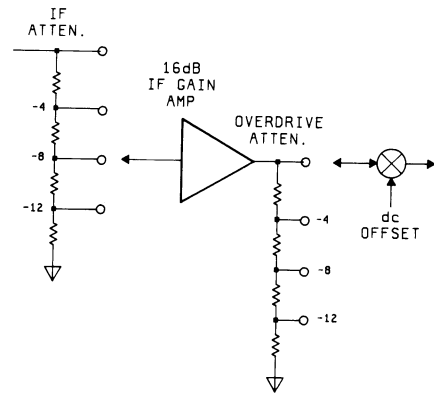
VBW	U5 Pin*				
	5	7	10	12	15
30kHz	H	H	L	H	H
10kHz	H	L	H	H	H
3kHz	L	H	H	H	H
1kHz	L	H	H	H	H
300Hz	L	L	H	H	L
100Hz	L	H	H	H	L
30Hz	L	H	H	H	L
10Hz	L	L	H	L	H
3Hz	L	H	H	L	H
1Hz	H	H	H	L	H

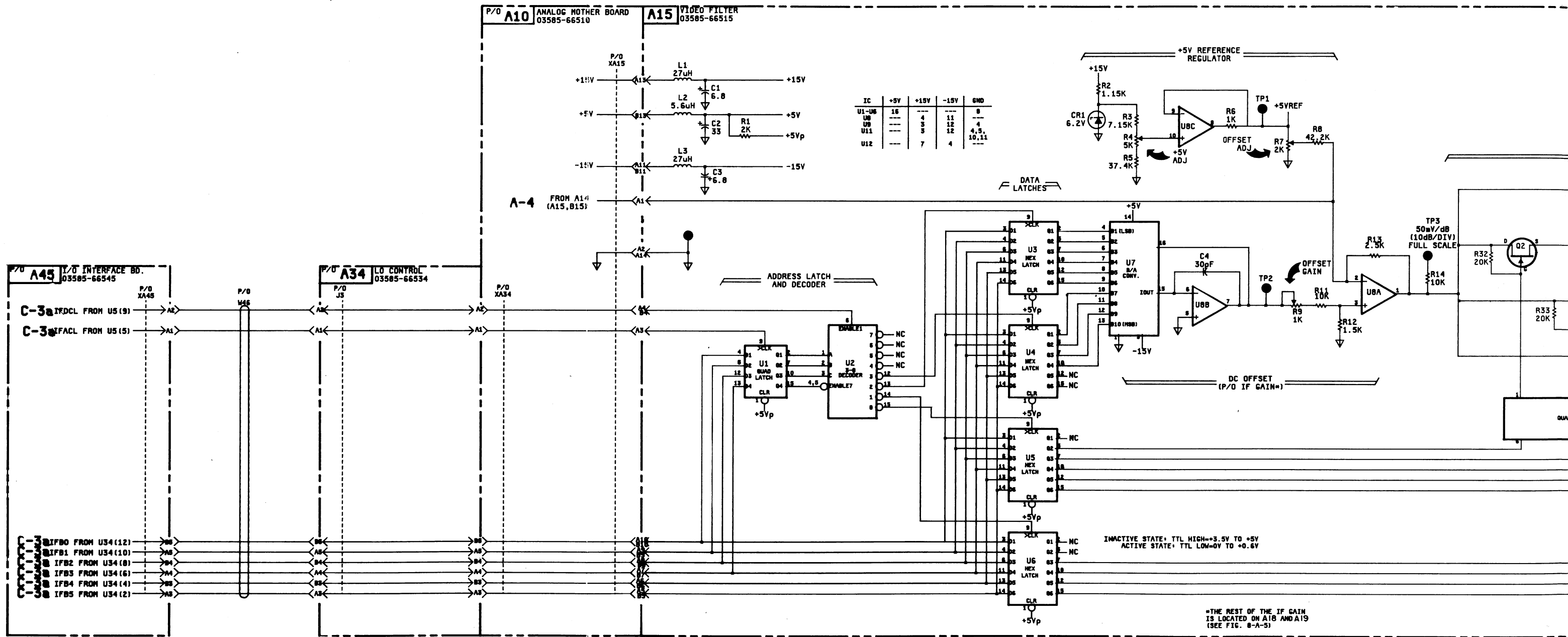
\*TTL: H = +3.5V to +5V;  
L = 0V to +0.6V

**U9, U11 Output Checks.**

VBW	U9 Pin*			U11 Pin*	
	1	14	13	1	14
30kHz	L	L	H	L	L
10kHz	L	H	L	L	L
3kHz	L	L	L	L	L
1kHz	L	L	L	L	L
300Hz	L	H	L	L	H
100Hz	H	L	L	L	H
30Hz	L	L	L	L	H
10Hz	L	H	L	H	L
3Hz	H	L	L	H	L
1Hz	L	L	L	H	L

\*H = 0V to +1V;  
L = -15V (nominal)





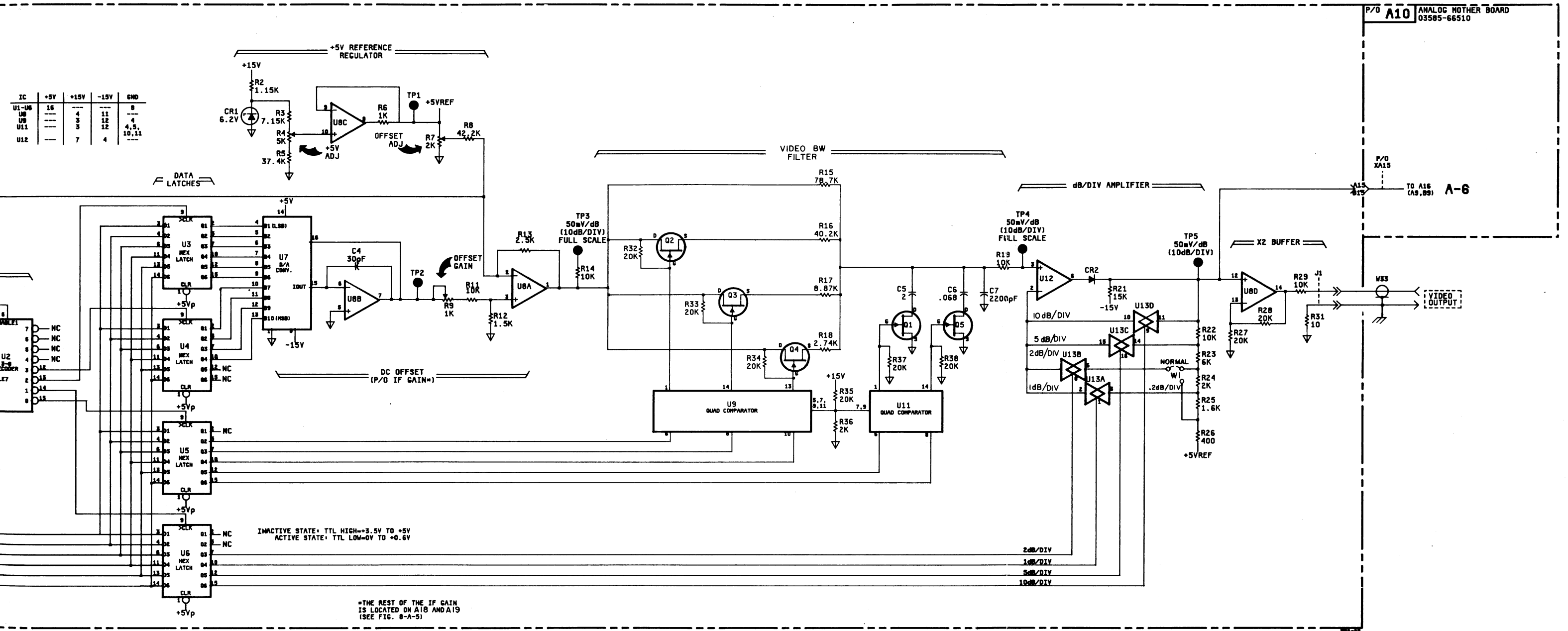
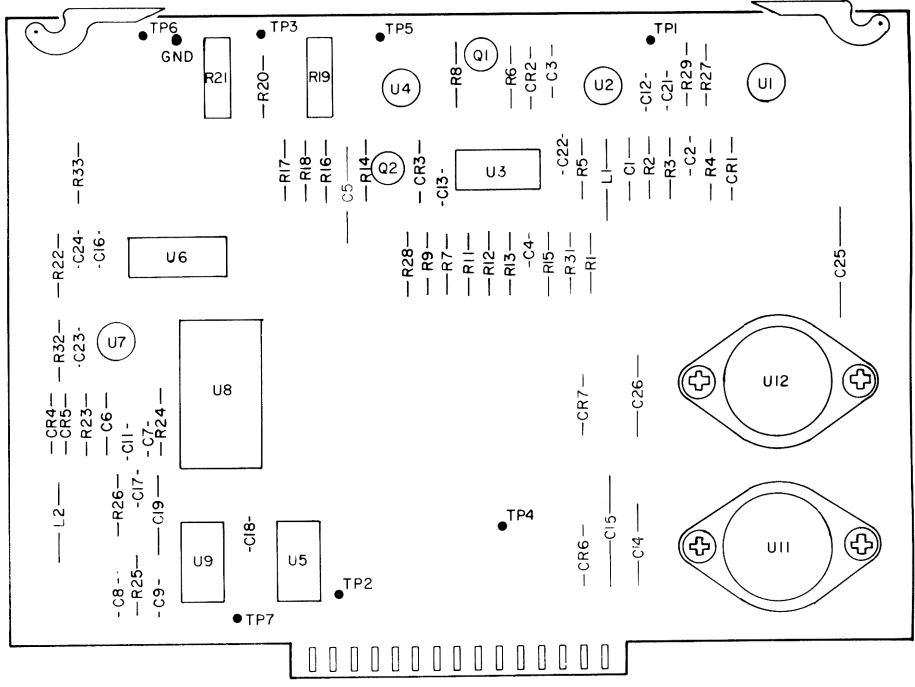
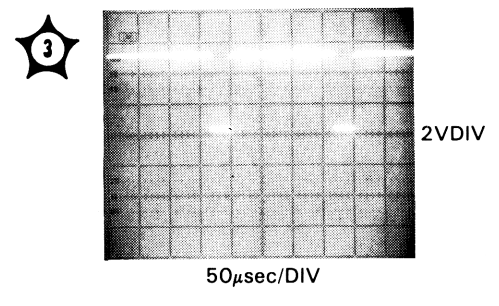
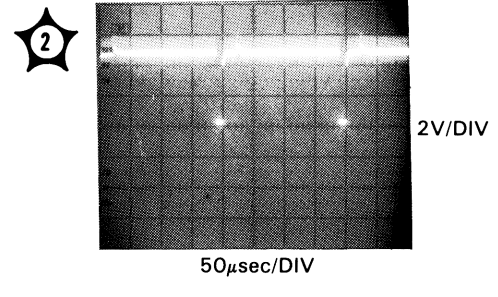
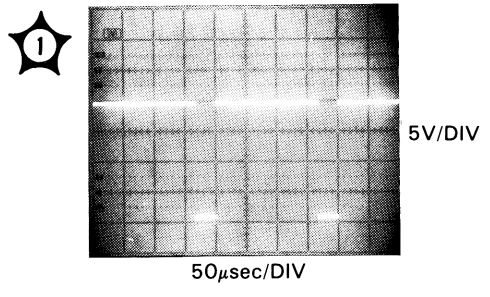
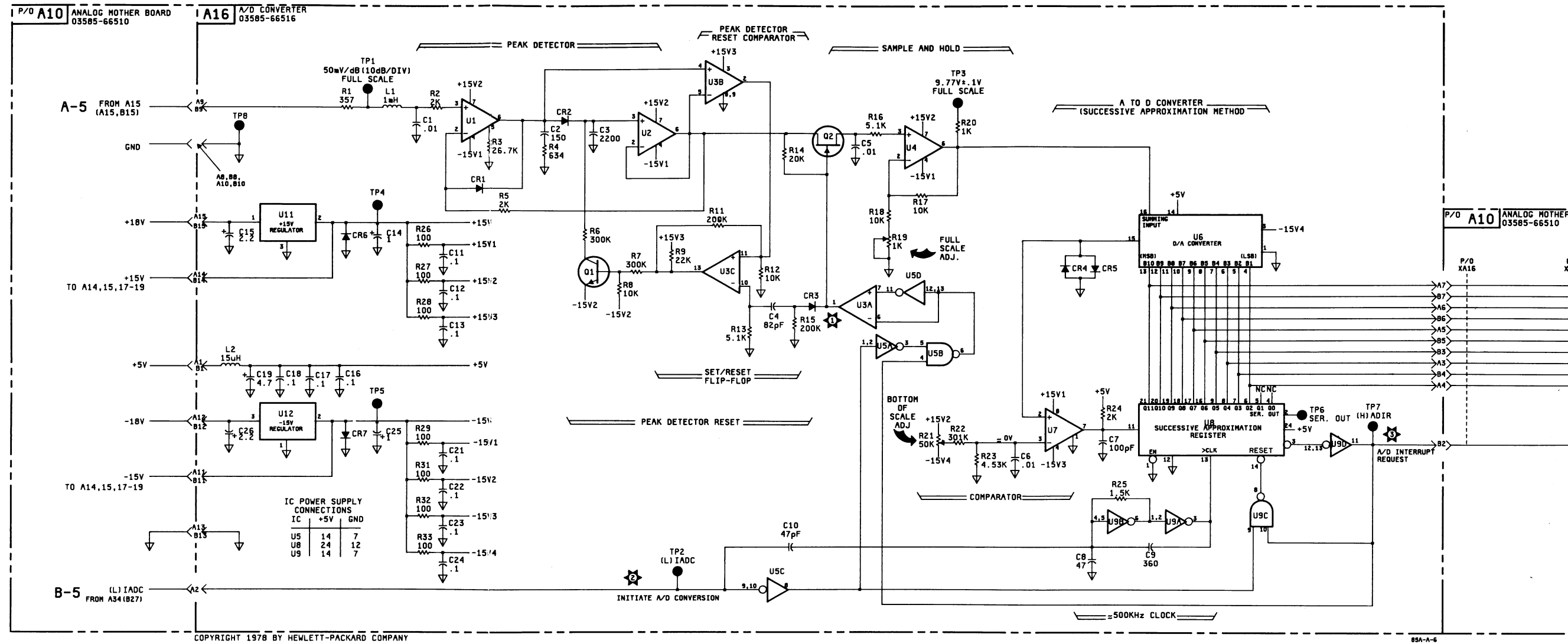


Figure 10-7. Video Filter Schematic (66515)  
10-19/10-20



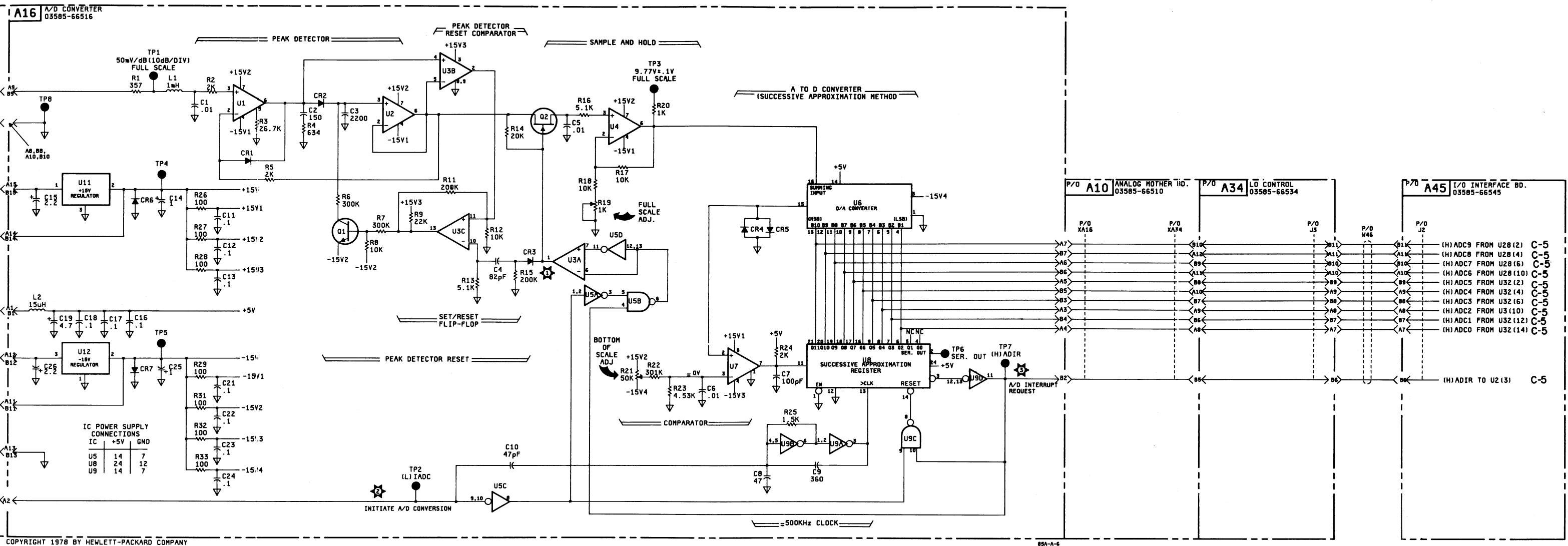
A16  
03585-66516





3585-R-15

2V/DIV

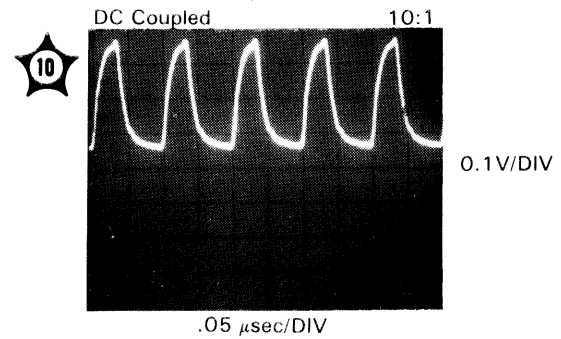
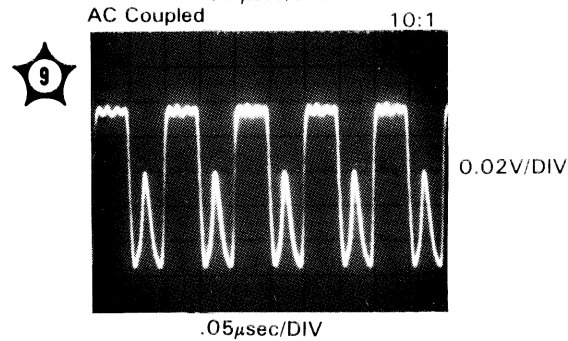
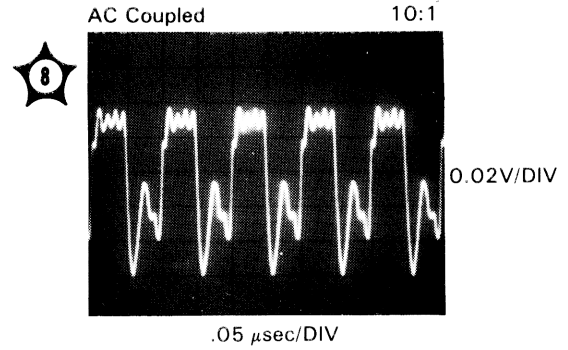
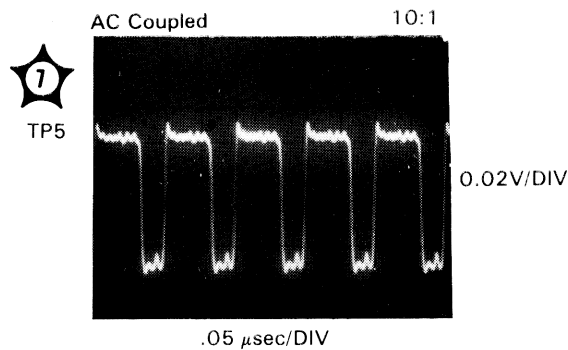
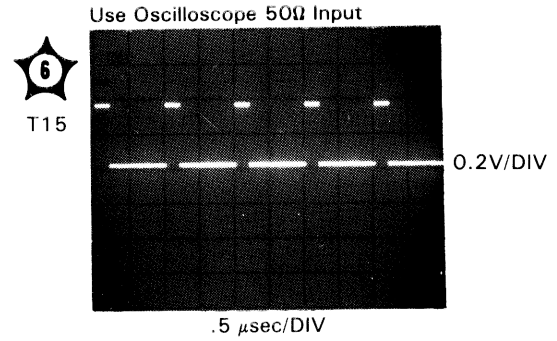
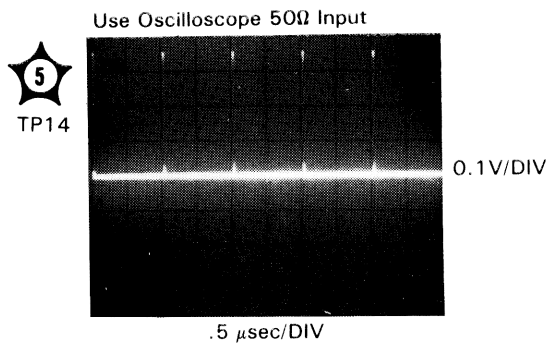
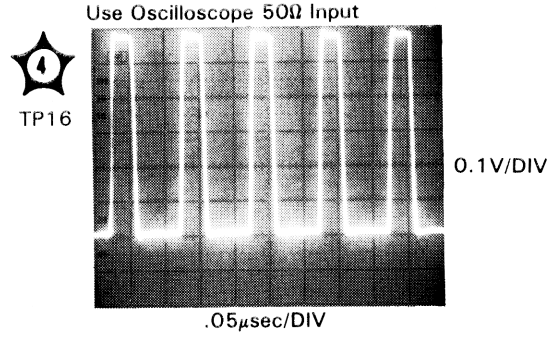
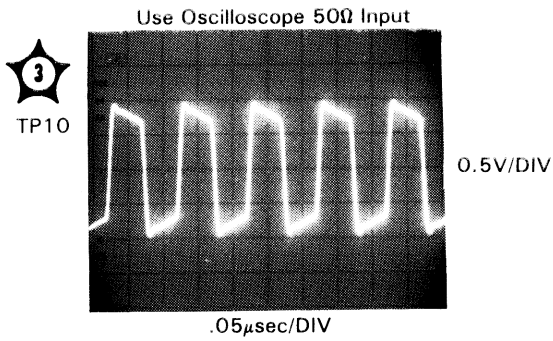
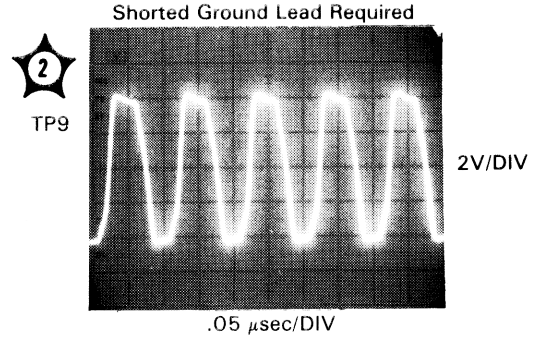
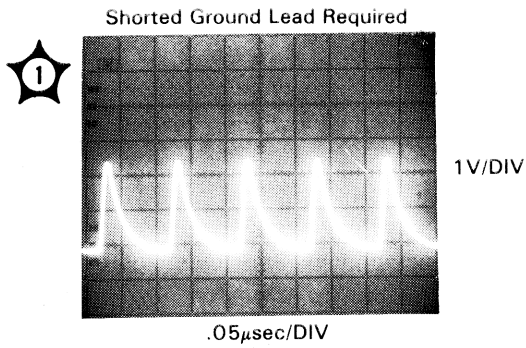


COPYRIGHT 1978 BY HEWLETT-PACKARD COMPANY

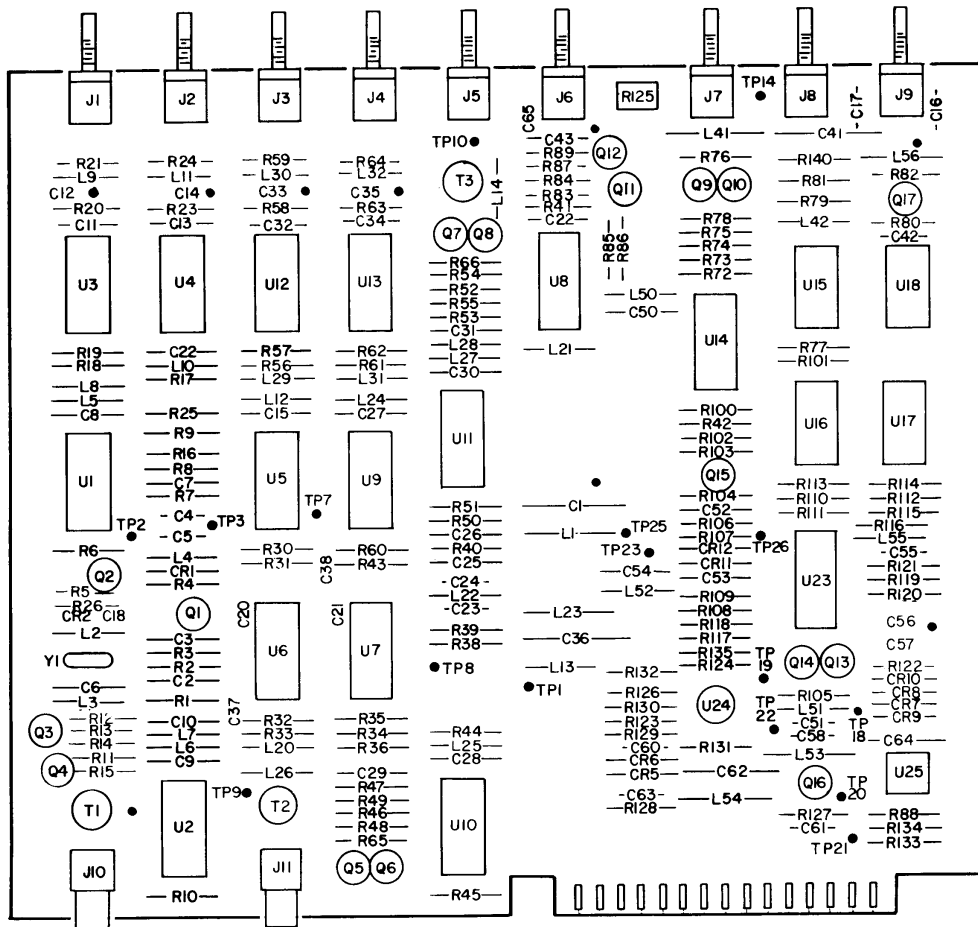
85A-A-6

**A6**

Figure 10-8. Analog-To-Digital Converter (66516)  
10-21





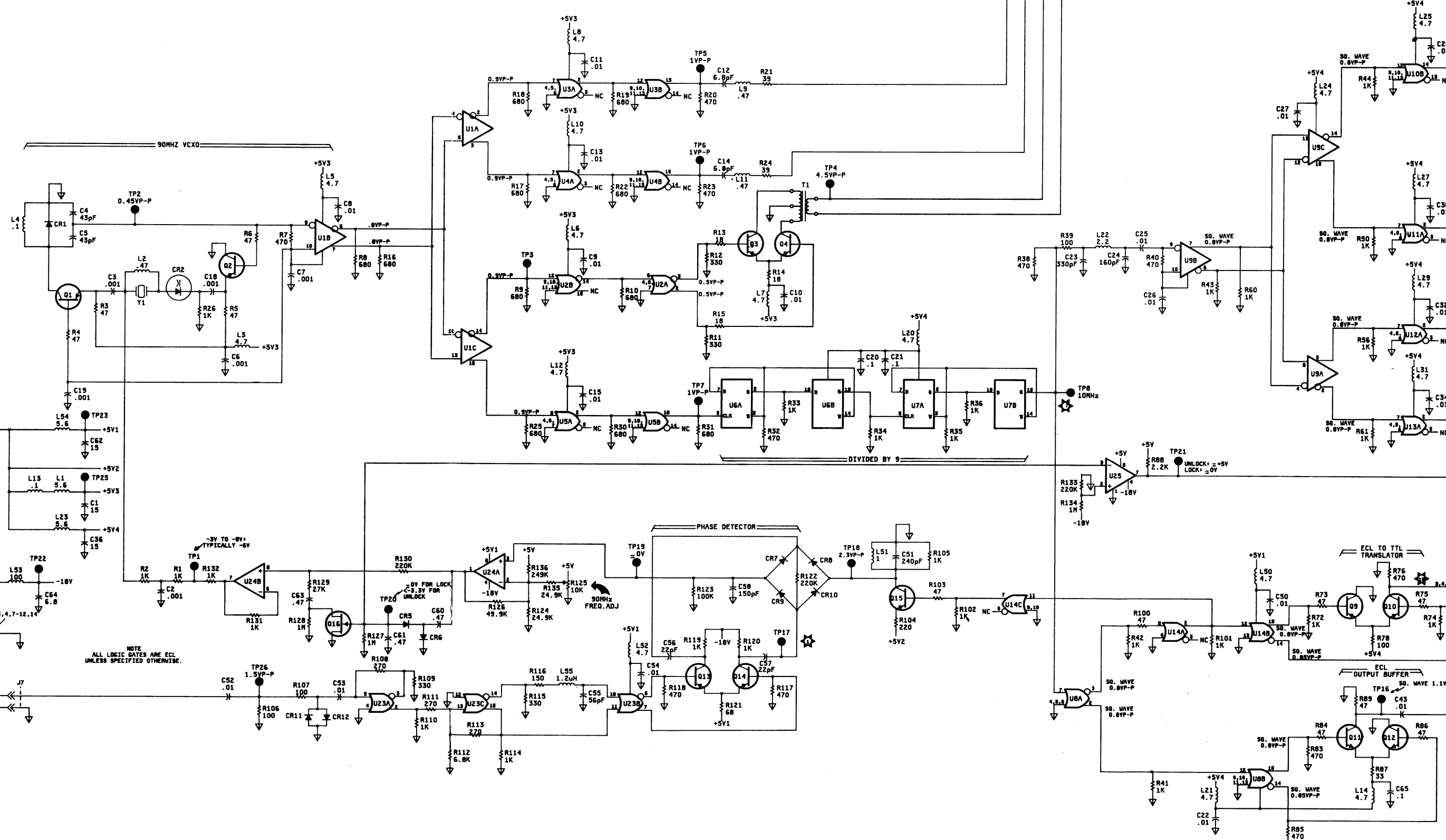
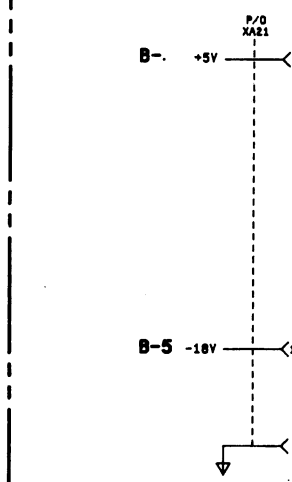


A21  
03585-66521

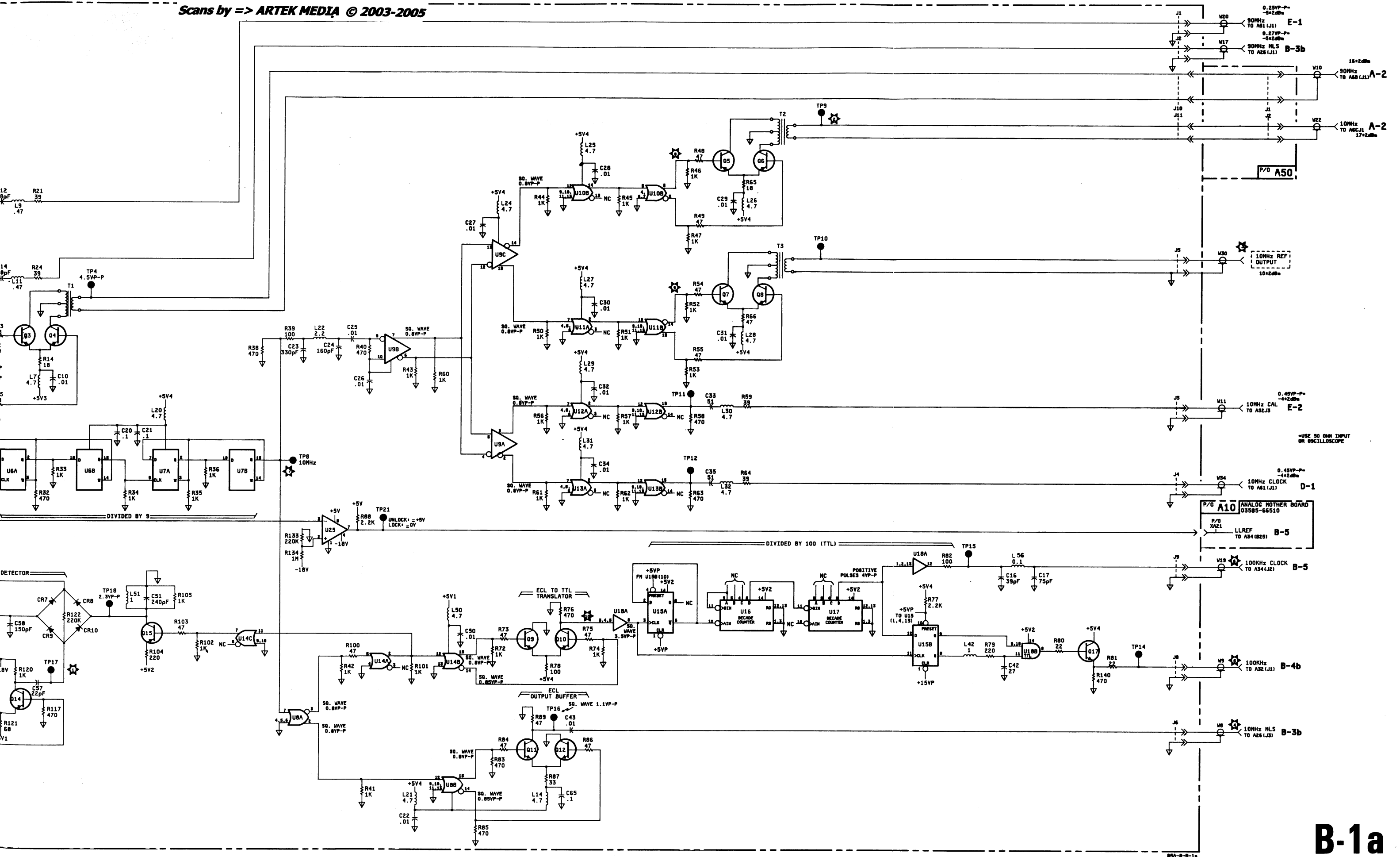
3585-B-43

IC	+5V	CND
1-3	1,16	8
4,7	1,16	4,5,6,8,11,12,13
8-14	1,16	9
15-18,20	1,16	7
23	1,16	8

P/O A10 ANALOG MOTHER BOARD 03585-66510

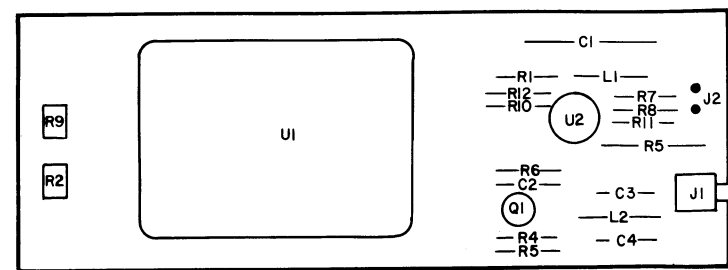


NOTE  
ALL LOGIC GATES ARE ECL  
UNLESS SPECIFIED OTHERWISE.

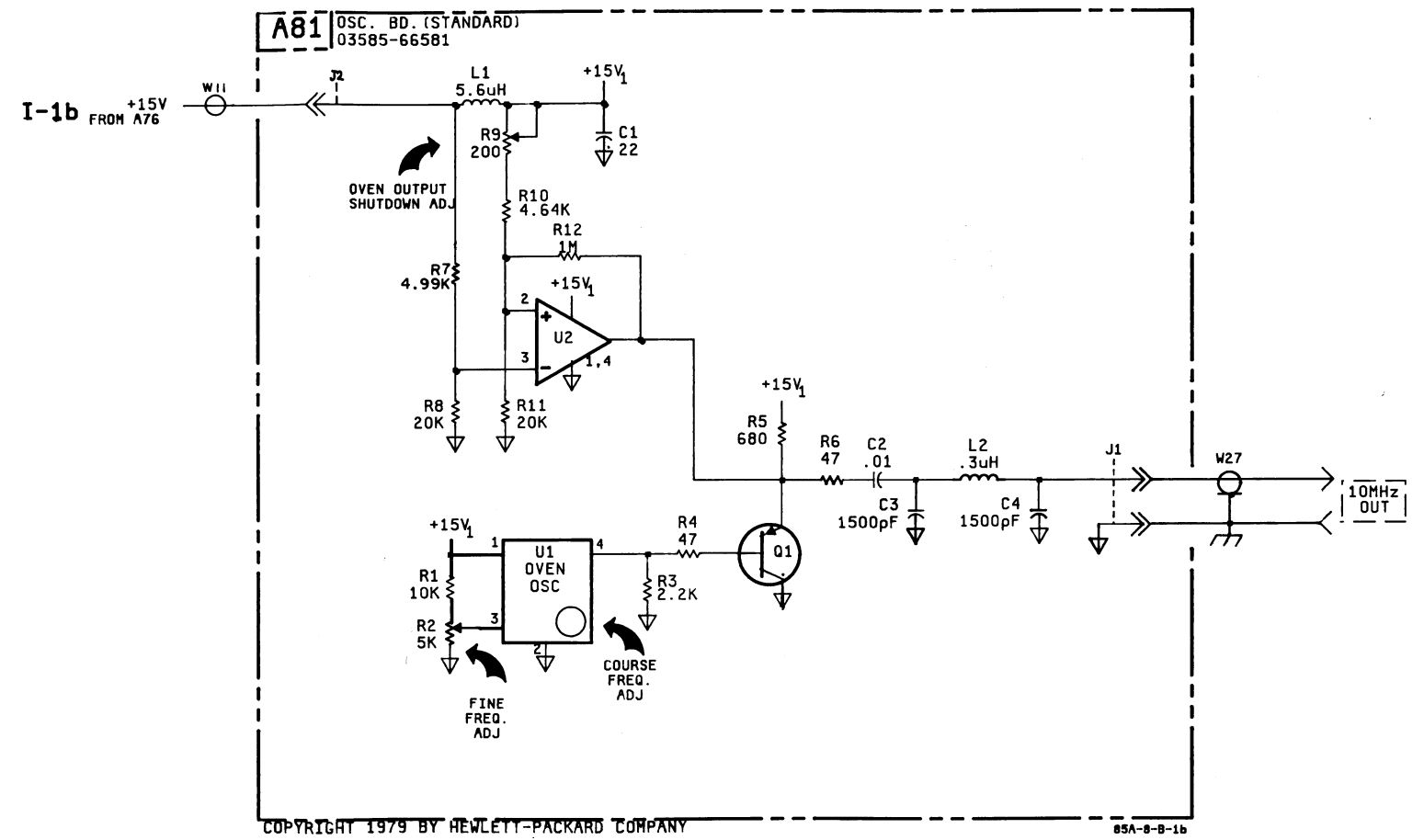


**B-1a**

Figure 10-9. 90/10MHz/Ref (66521)  
10-23/10-24

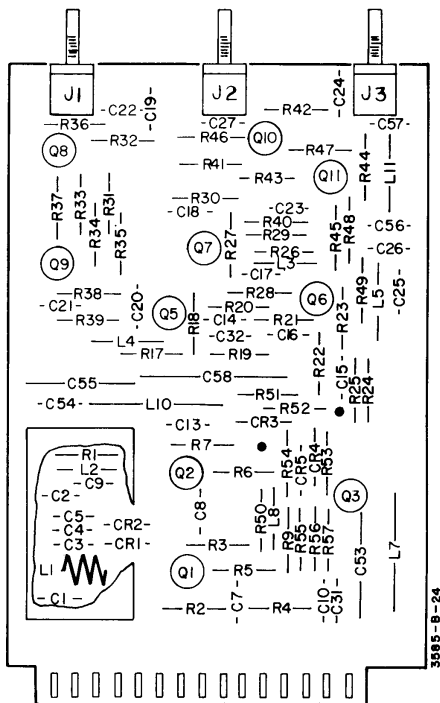


A81  
03585-66581



# B-1b

Figure 10-10. Oven Oscillator (66581)  
10-25/10-26

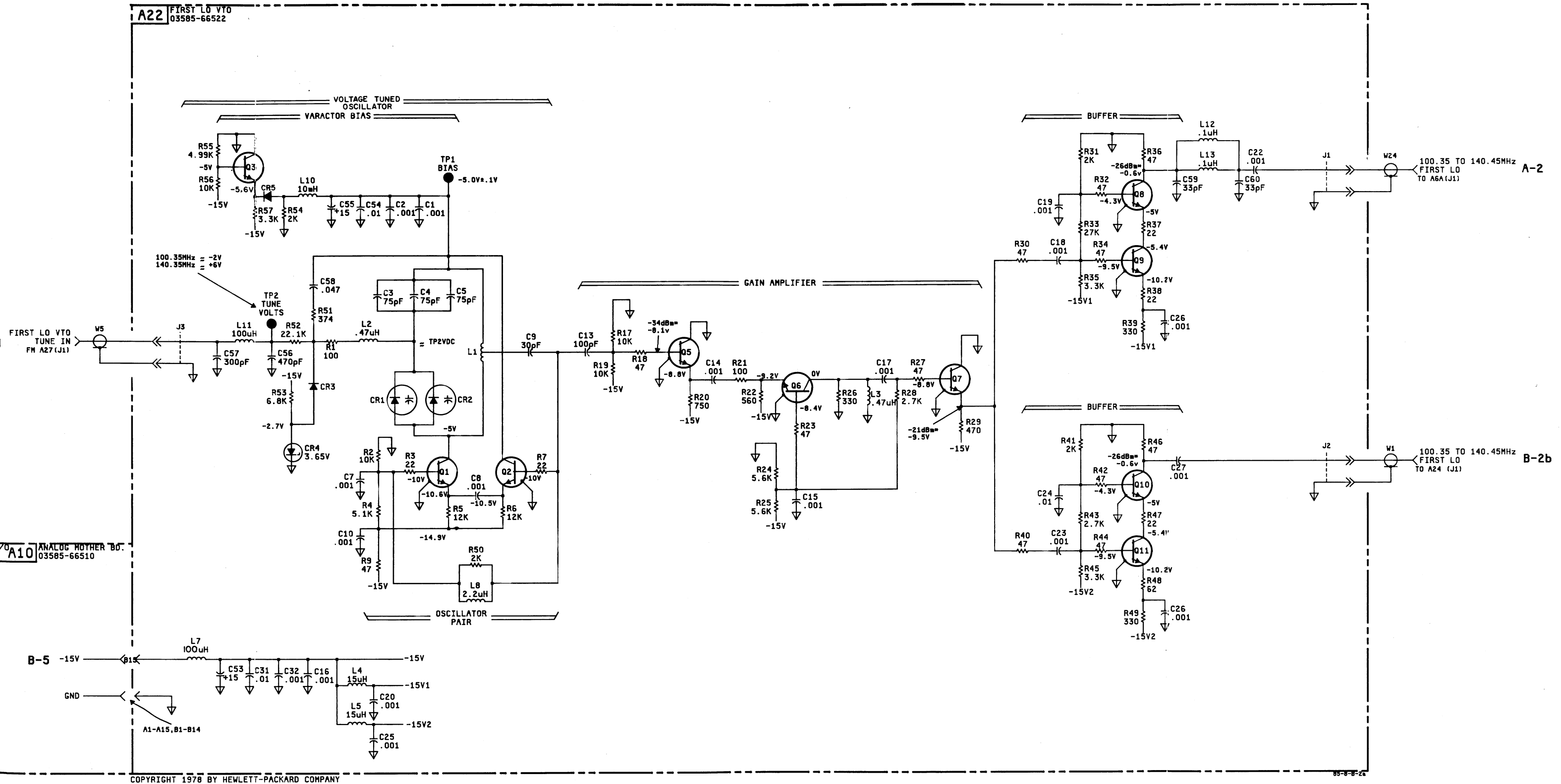


A22  
03585-66522

**NOTE**

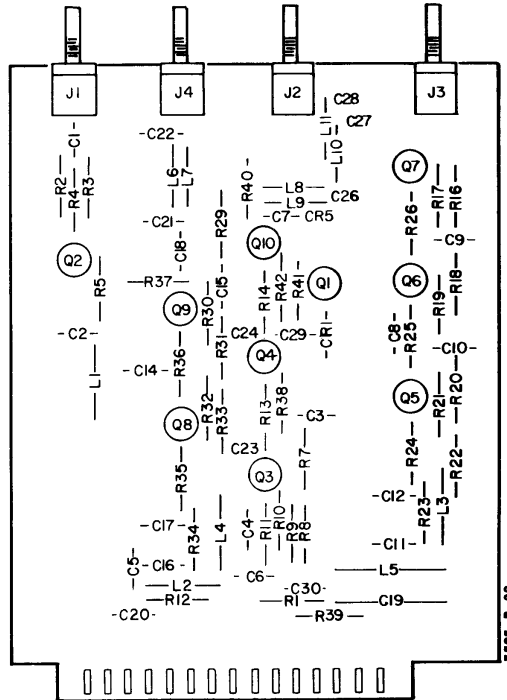
Set up conditions for dBm measurements are as follows:

1. Disconnect the cables attached to A22 J1, J2, J3.
2. Ground TP2.
3. Use a 1K $\Omega$ , 20:1 divider probe. Read the spectrum analyzer directly. Do not compensate for the 20:1 ratio of the probe.



# B-2a

Figure 10-11. First LO VTO (66522)  
10-27/10-28

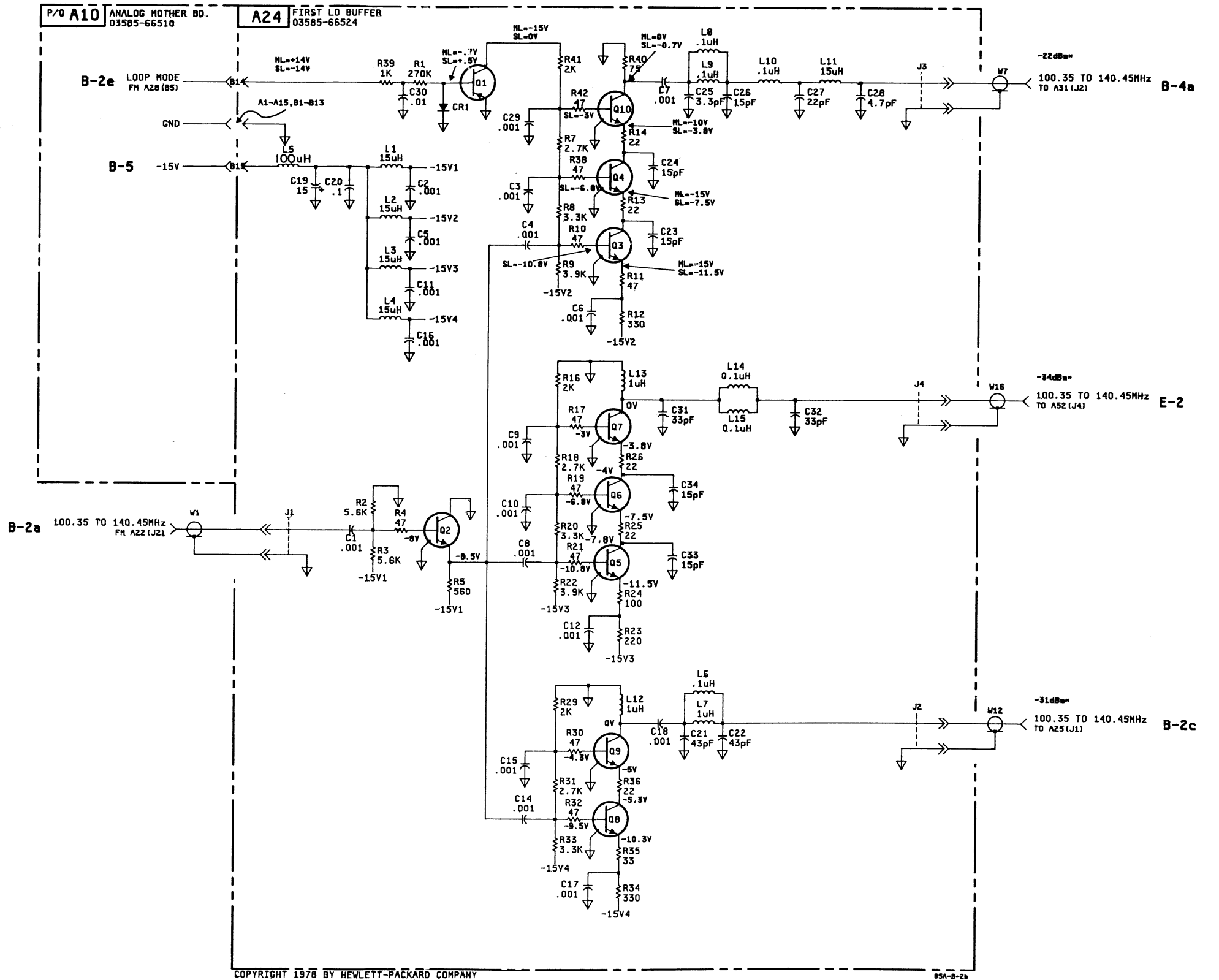


A24  
03585-66524

**NOTE**

Set up conditions for dBm measurements are as follows:

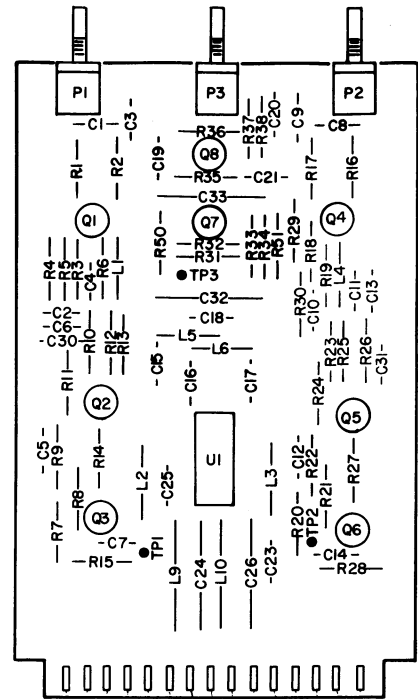
1. Disconnect the cables attached to A22 J1, J3 and A24, J2, J3, J4.
2. Ground A22 TP2 or A22 J3.
3. Use a 1K $\Omega$ , 20:1 divider probe. Read the spectrum analyzer directly. Do not compensate for the 20:1 divider ratio of the probe.



# B-2b

Figure 10-12. First LO Buffer (66524)  
10-29/10-30



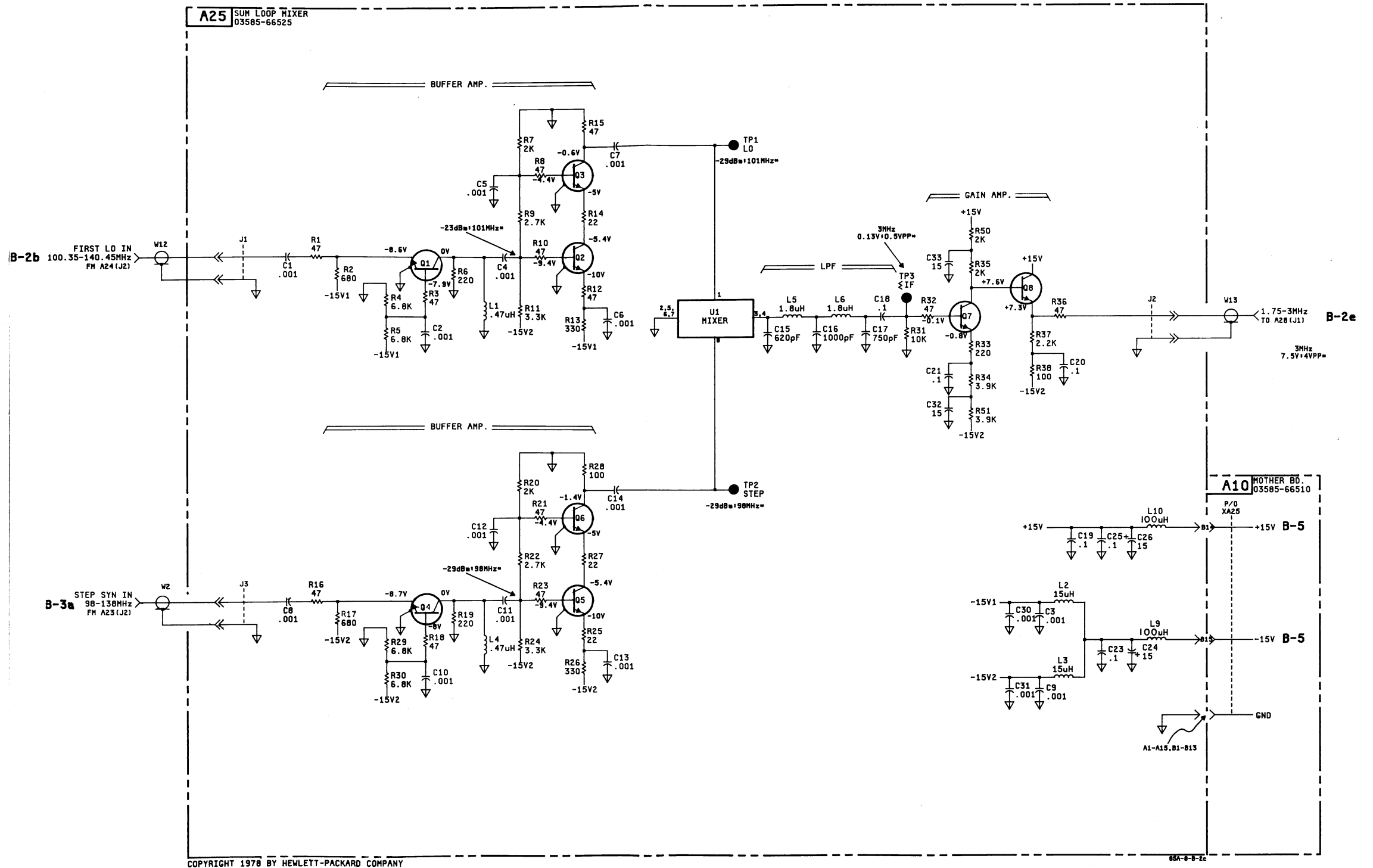


A25  
03585-66525

**NOTE**

Set up conditions for dBm and Vpp are as follows:

1. Disconnect the cables attached to A25 J2.
2. Enter: Recall 601, Instr Preset, Manual 650KHz.
3. Use a 1KΩ, 20:1 divider probe for the dBm measurements. Read the spectrum analyzer directly. Do not compensate for the 20:1 divider ratio of the probe.

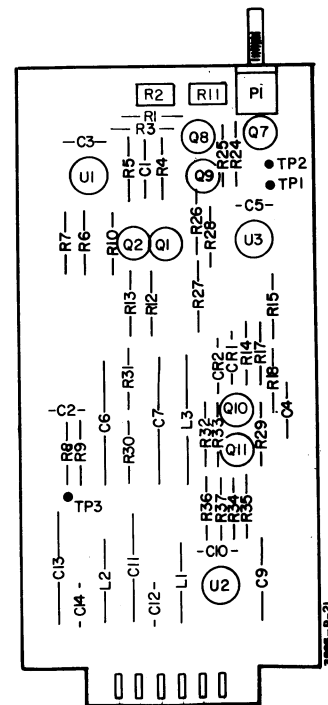


COPYRIGHT 1978 BY HEWLETT-PACKARD COMPANY

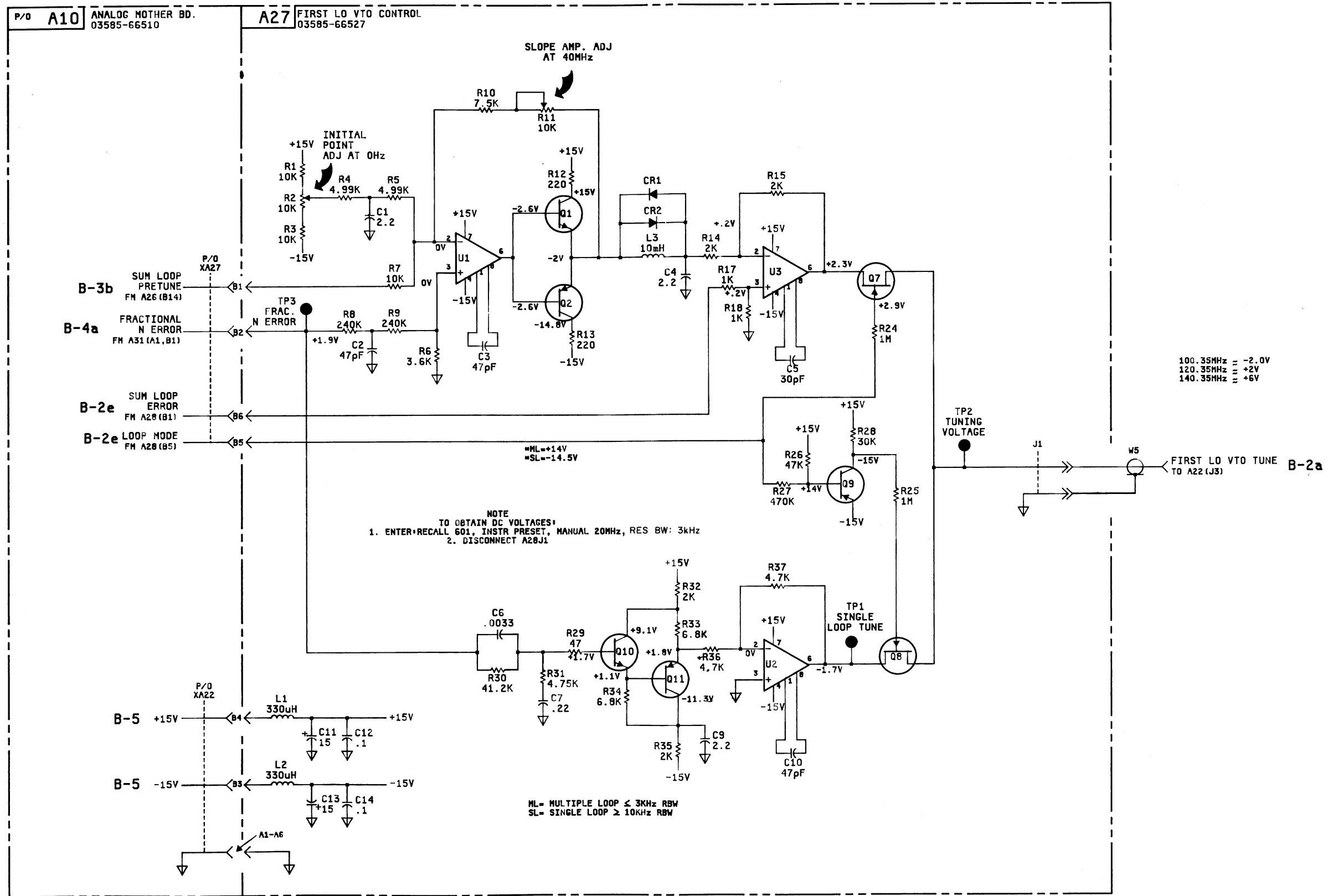
66A-8-3-2c

# B-2c

Figure 10-13. Sum Loop Mixer (66525)  
10-31/10-32



A27  
03585-66527

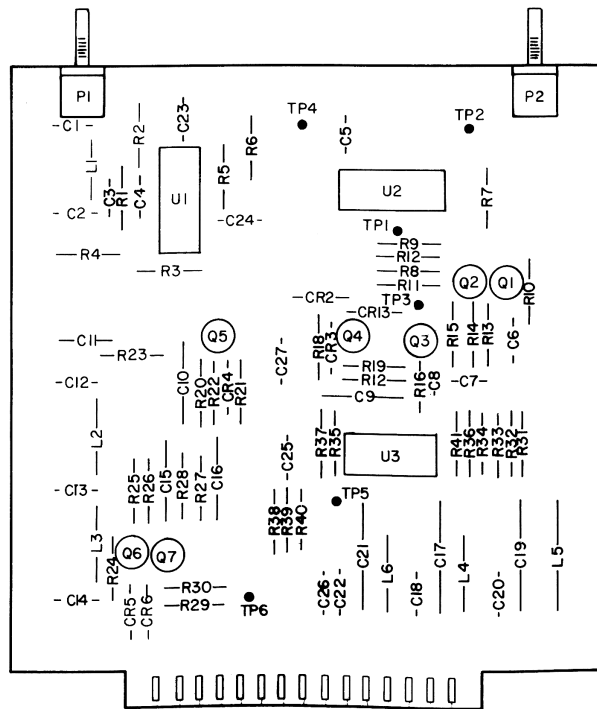


COPYRIGHT 1978 BY HEWLETT-PACKARD COMPANY

85A-6-9-2b

# B-2d

Figure 10-14. First LO VTO Control (66527)  
10-33/10-34

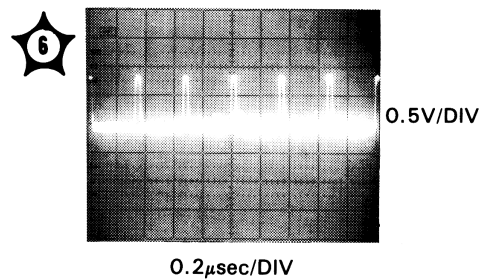
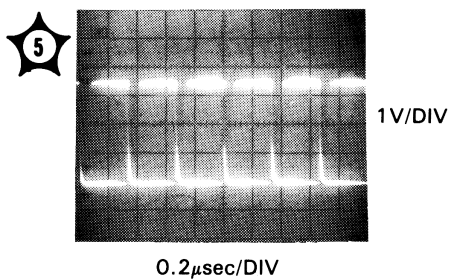
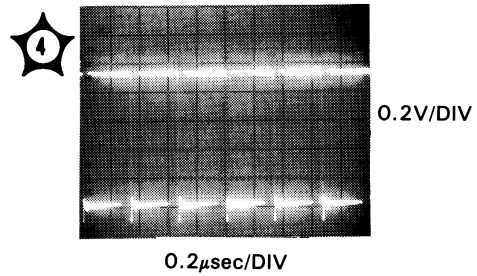
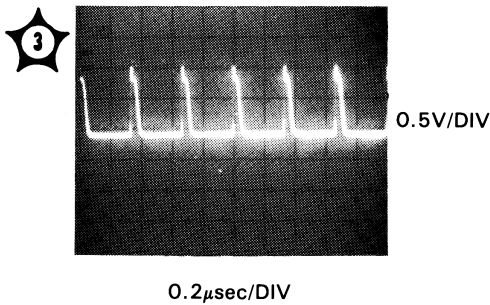
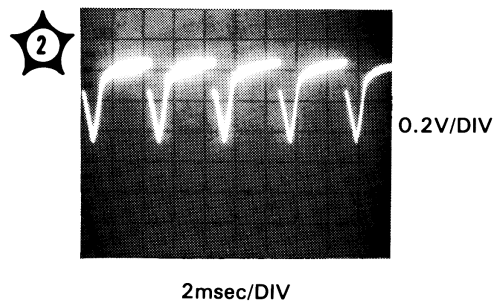
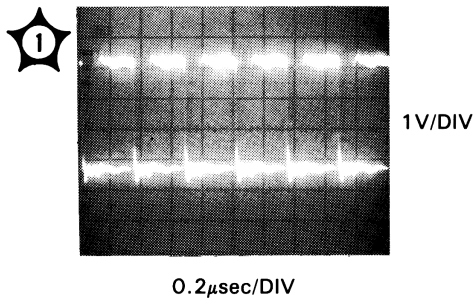


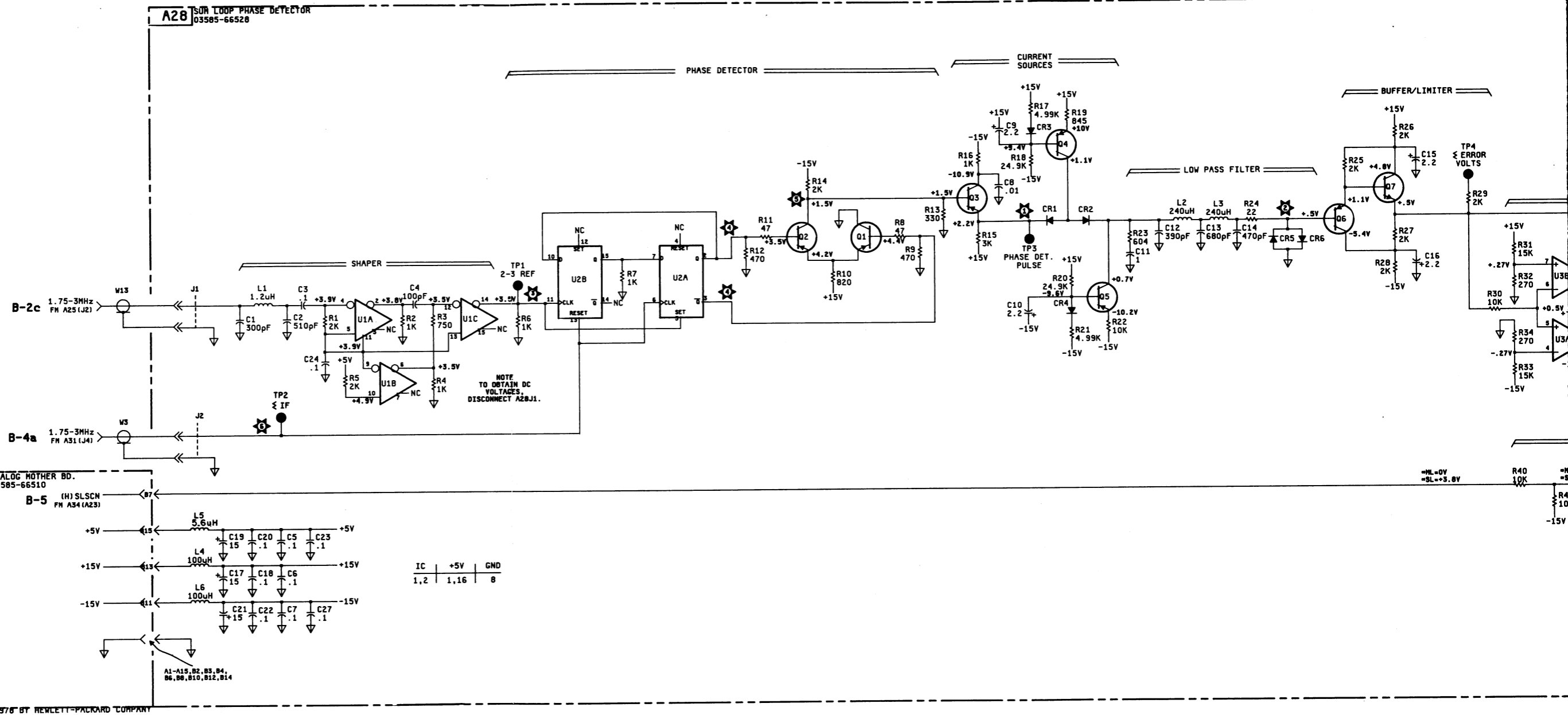
A28  
03585-66528

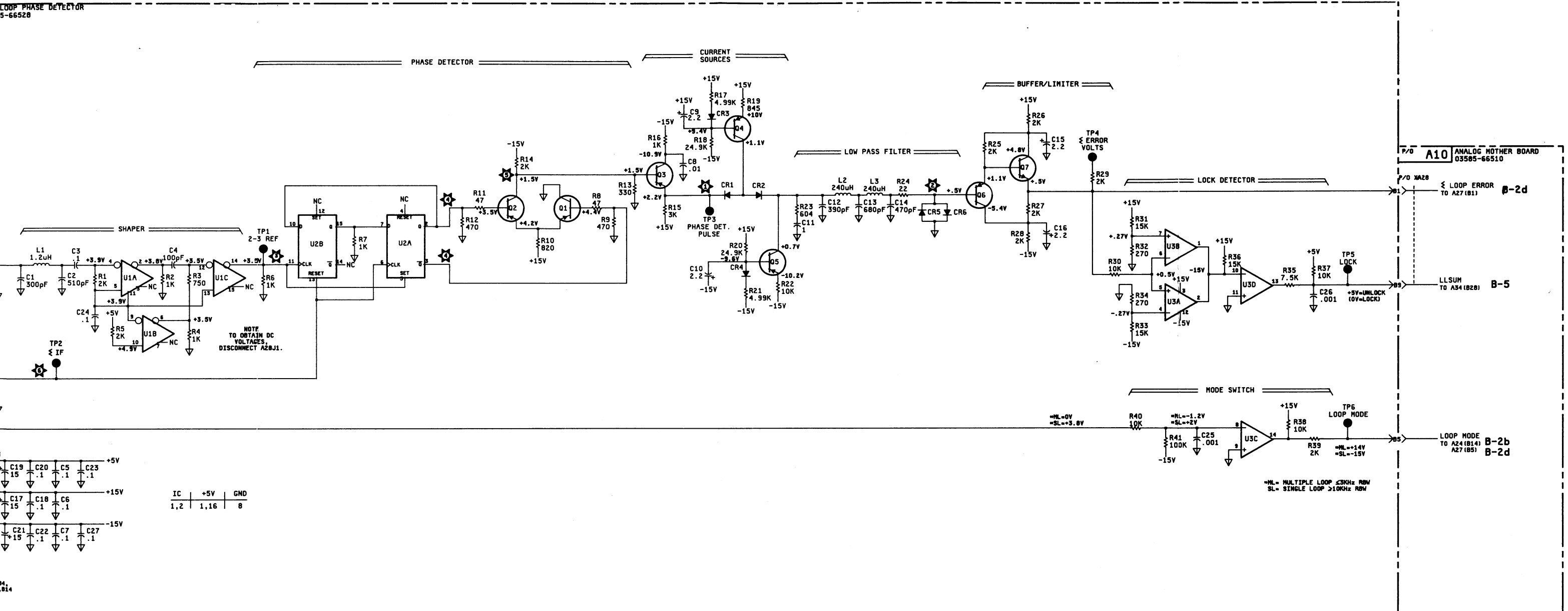
**NOTE**

Set up conditions for waveforms 1 through 6:

1. Enter:  
Recall 601  
Instr Preset  
Save 5  
Res BW 3KHz  
Manual Frequency  
650KHz
2. Connect A31 J4 to A28 J2.
3. Connect a synthesizer 50Ω output to A28 J1.
4. Set the synthesizer for 2.9999MHz, +4dBm.
5. By varying the frequency of the synthesizer by several hundred Hz, you should be able to obtain the given waveforms.

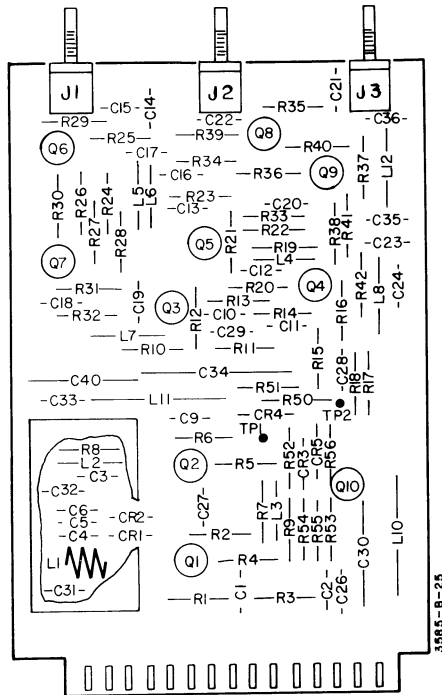






# B-2e

Figure 10-15. Sum Loop Phase Detector (66528)  
 10-35/10-36

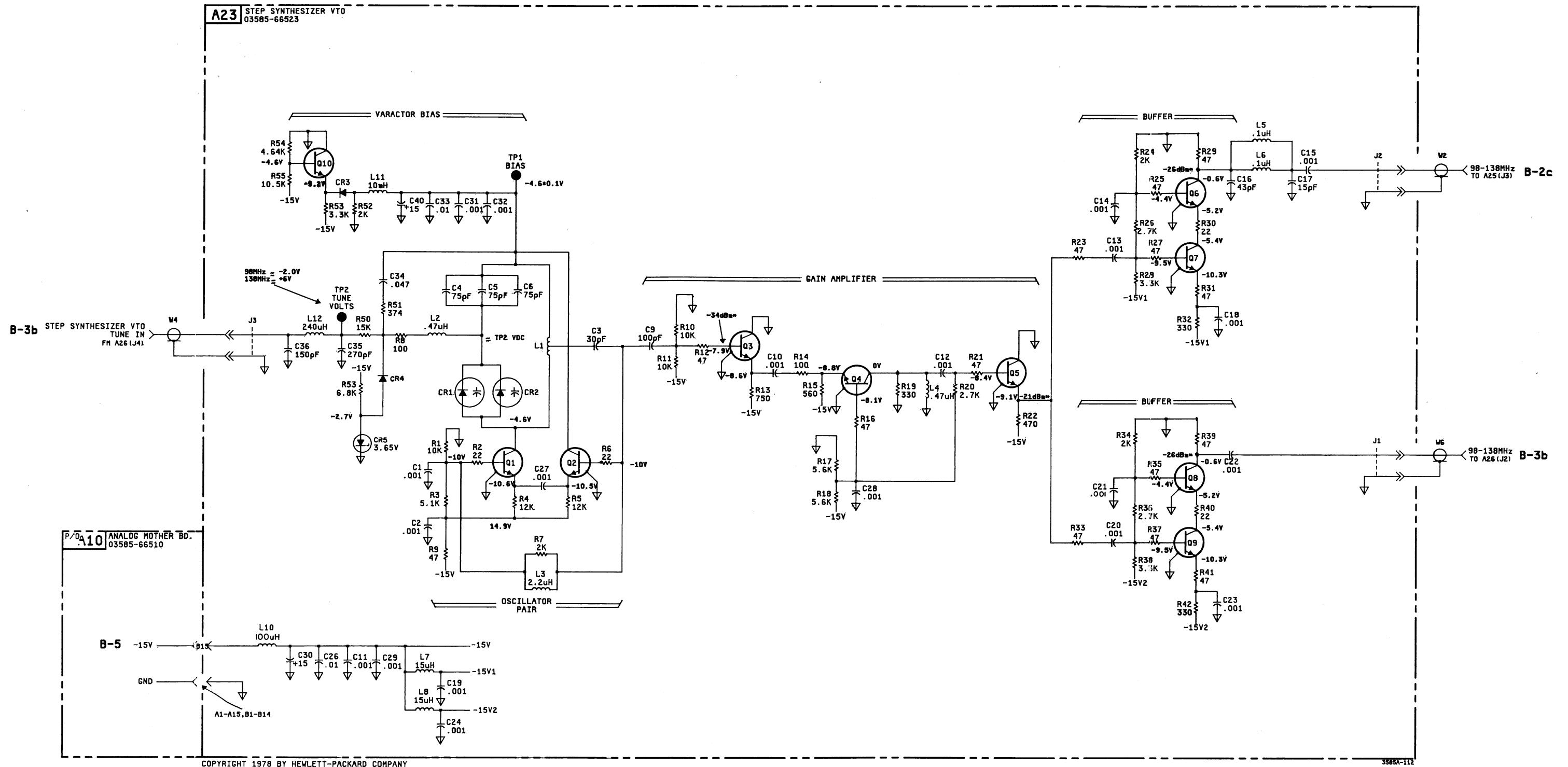


A23  
03585-66523

**NOTE**

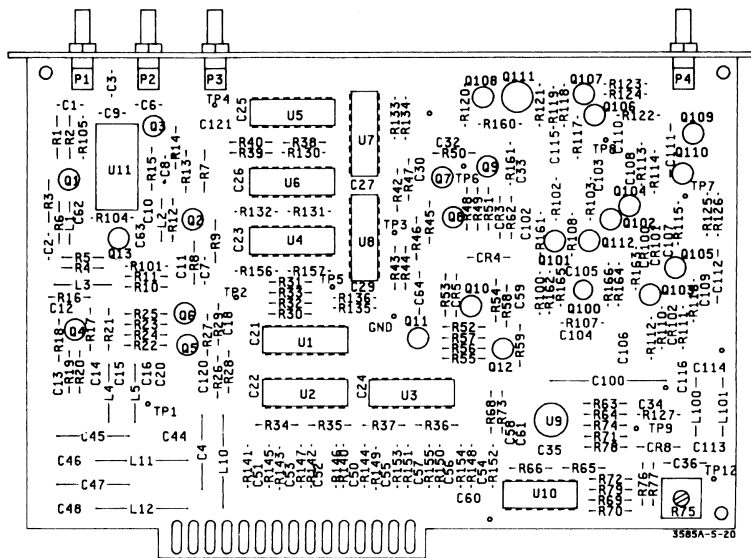
Set up conditions for dBm measurements are as follows:

1. Disconnect the cables attached to A23 J1, J2, J3.
2. Ground TP2.
3. Use a 1K $\Omega$ , 20:1 divider probe. Read the spectrum analyzer directly. Do not compensate for the 20:1 divider ratio of the probe.



# B-3a

Figure 10-16. Step Synthesizer VTO (66523)  
10-37/10-38



A26  
03585-66526

**NOTE**

Set up conditions for waveforms 1, 2, 3, and 4:

1. Enter:

Recall 601  
Instr Preset  
Manual Sweep  
1.65MHz  
Save 5

2. Connect A26 J2 to A22 J1 and A26 J1 to A21 J2.

3. Disconnect the cable at A26-J4.

Set up conditions for waveforms 5, 6, 7, 8 and 9:

1. Do the set up conditions for waveforms 1, 2, 3, 4.

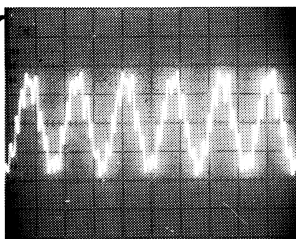
2. Set the synthesizer for 15,0005MHz, +4dBm.

3. Connect the synthesizer 50Ω output to A26 J3.

4. By varying the frequency of the synthesizer by several hundred Hz, you should be able to obtain the waveforms given.

5. For waveforms 7, 8, and 9, unsolder and lift one lead of C100.

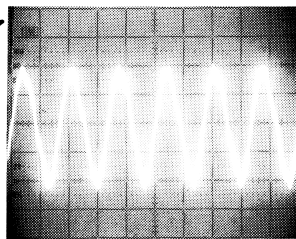
1



.05μsec/DIV

0.2V/DIV

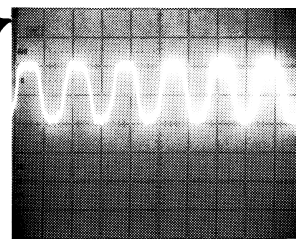
2



.05μsec/DIV

0.1V/DIV

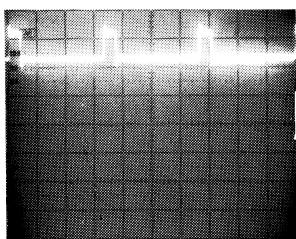
3



.05μsec/DIV

0.2V/DIV

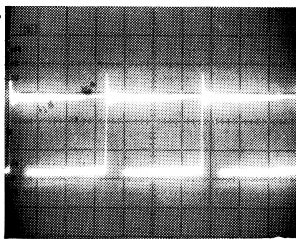
4



0.2μsec/DIV

1V/DIV

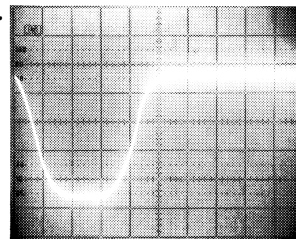
5



0.2μsec/DIV

1V/DIV

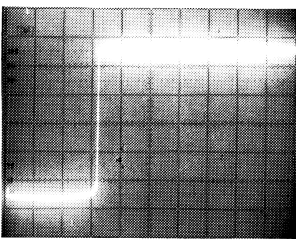
6



10msec/DIV

5V/DIV

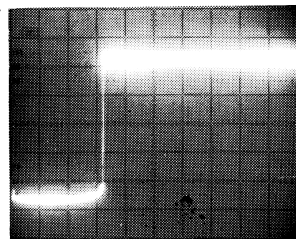
7



10msec/DIV

5V/DIV

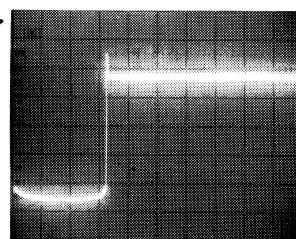
8



10msec/DIV

5V/DIV

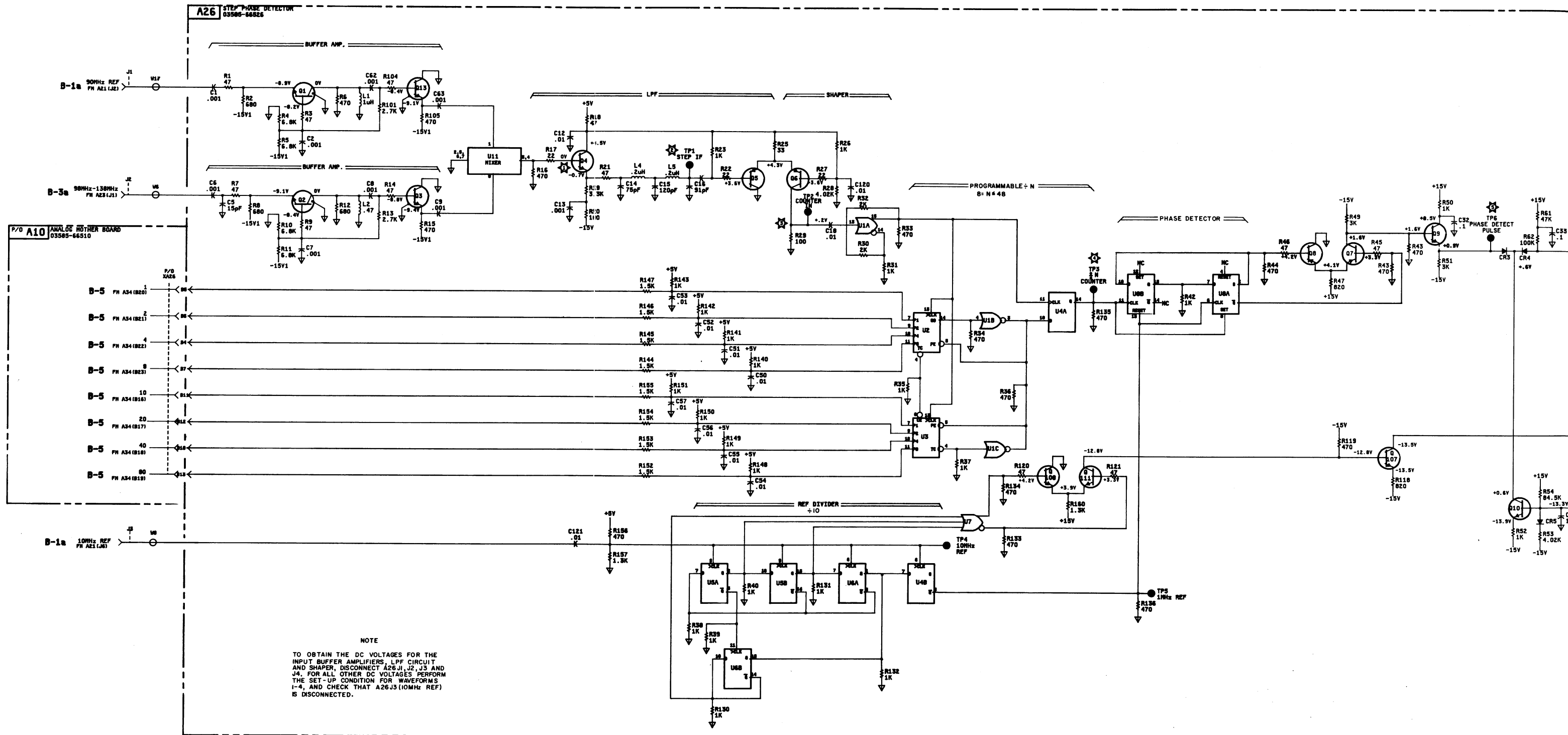
9



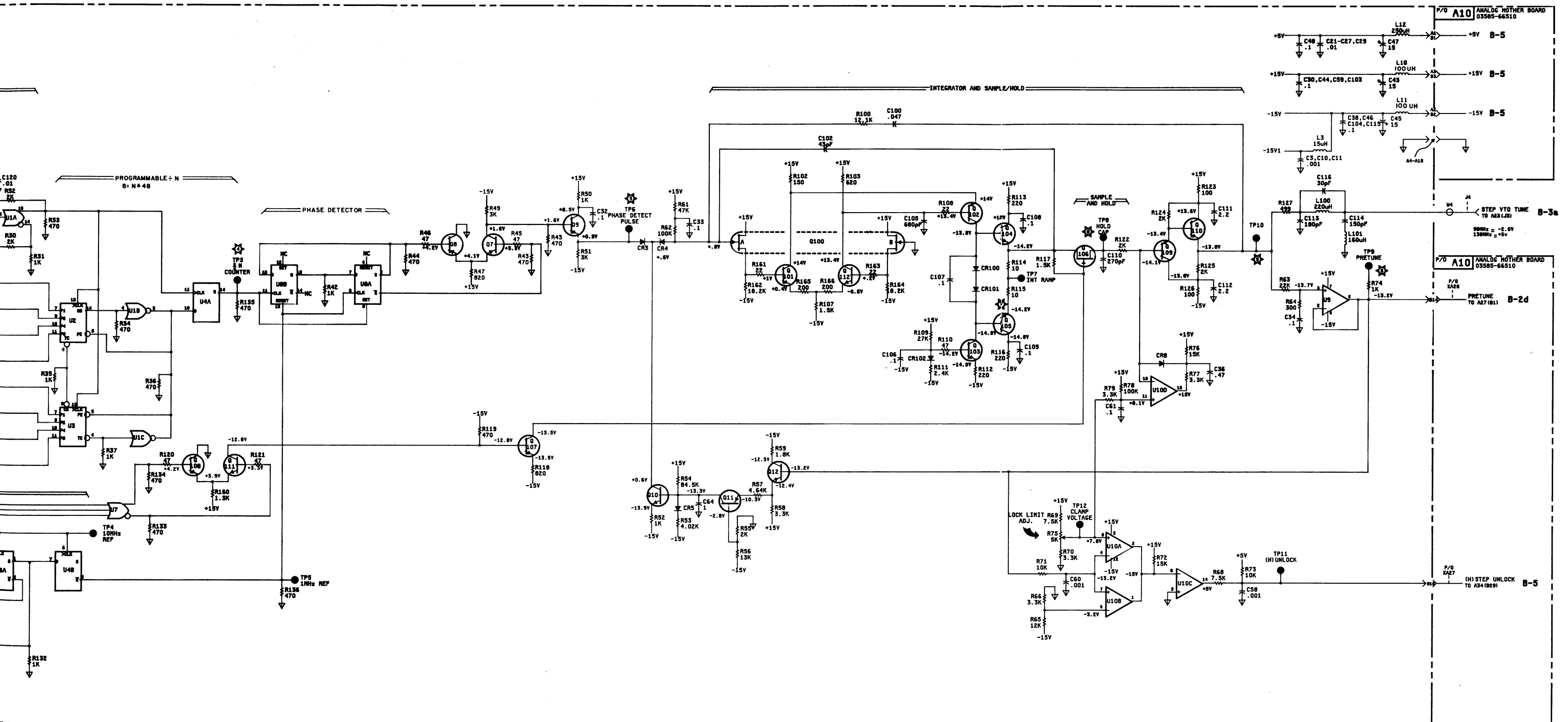
10msec/DIV

5V/DIV



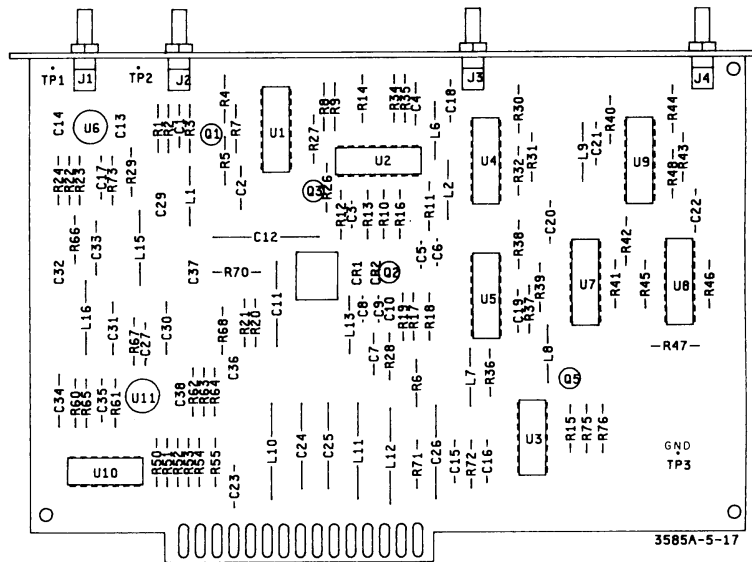


NOTE  
TO OBTAIN THE DC VOLTAGES FOR THE INPUT BUFFER AMPLIFIERS, LPF CIRCUIT AND SHAPER, DISCONNECT A26J1, J2, J3 AND J4. FOR ALL OTHER DC VOLTAGES PERFORM THE SET-UP CONDITION FOR WAVEFORMS 1-4, AND CHECK THAT A26J5 (10MHz REF) IS DISCONNECTED.

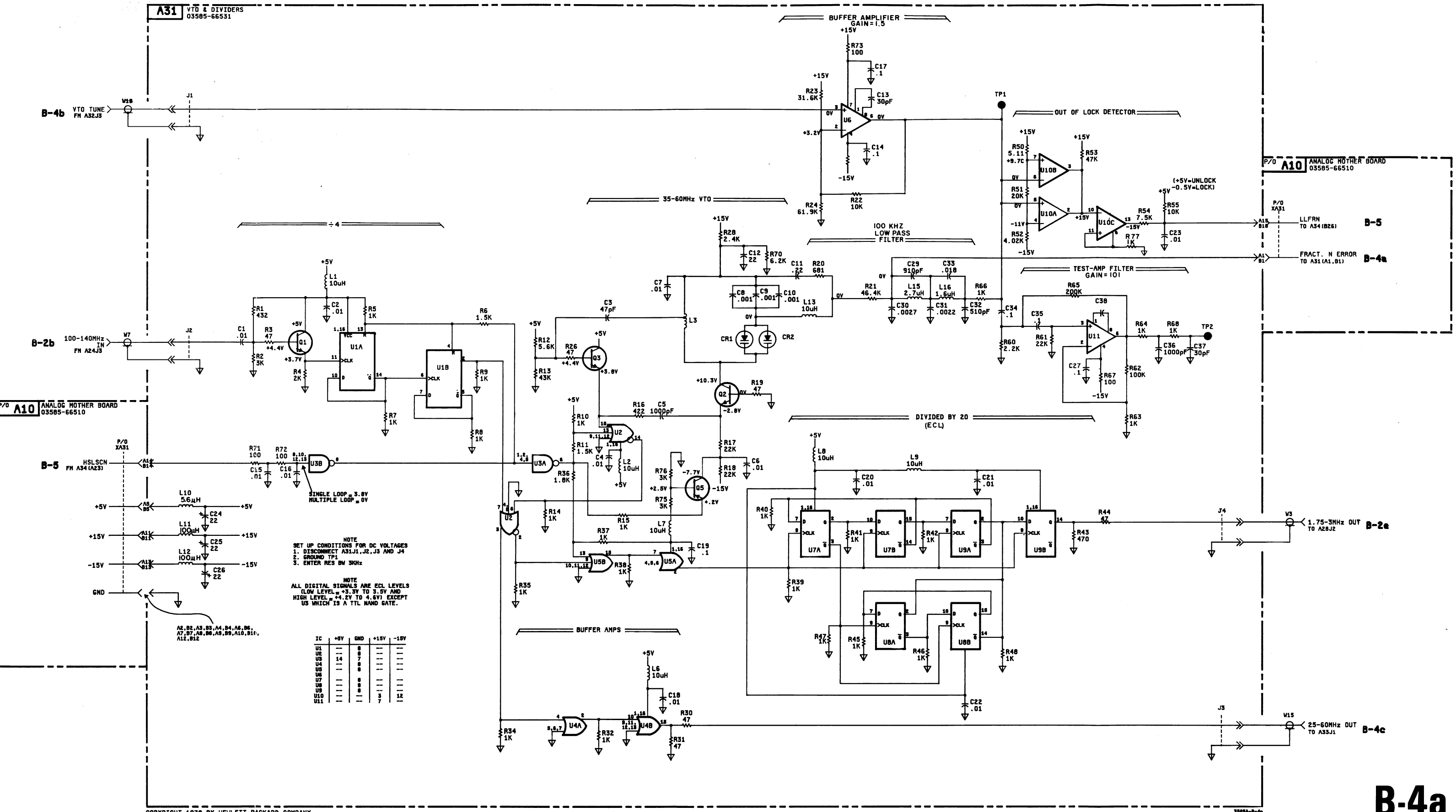


# B-3b

Figure 10-17. Step Phase Detector (66526)  
10-39/10-40

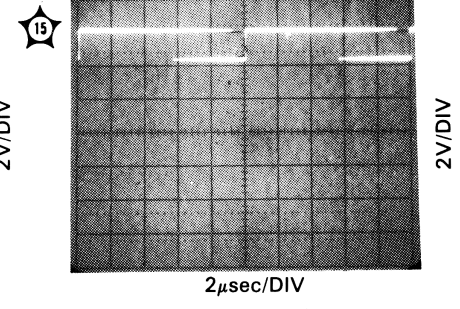
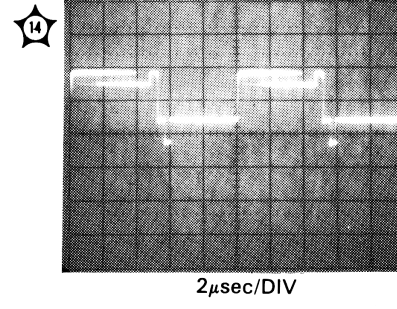
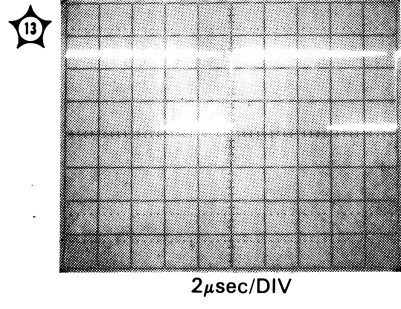
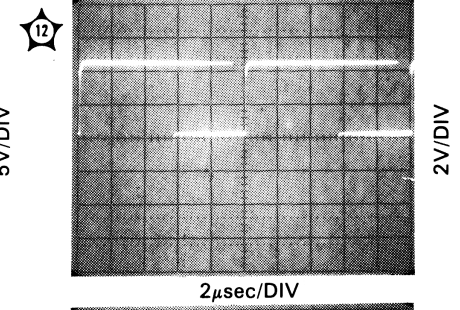
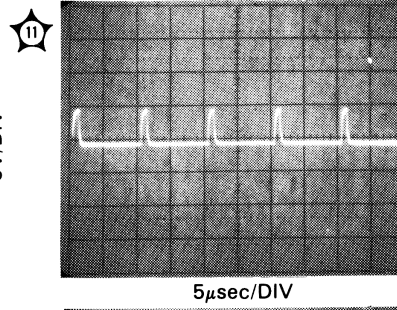
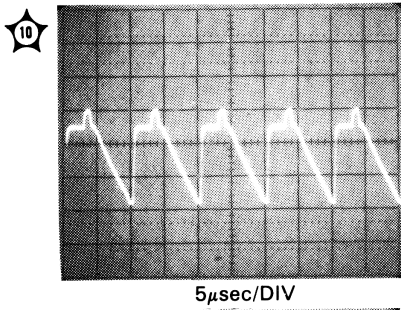
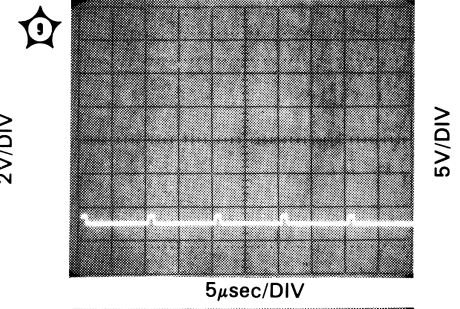
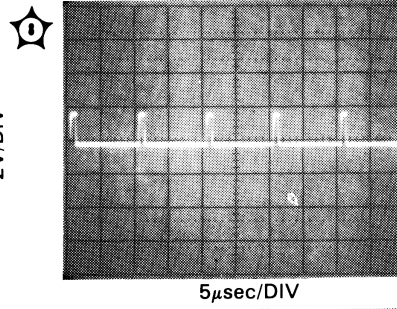
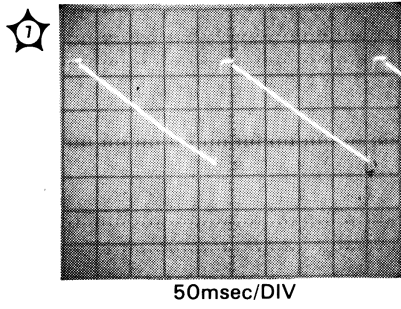
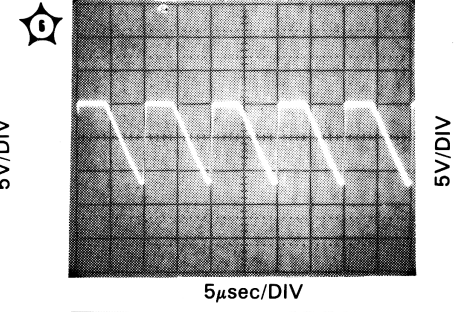
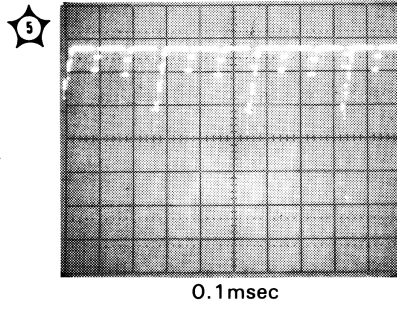
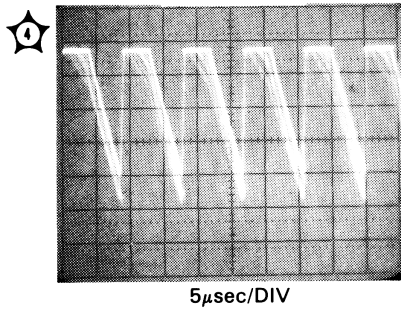
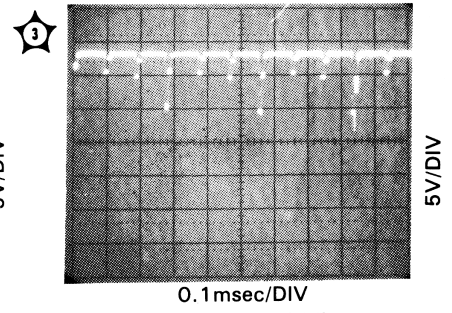
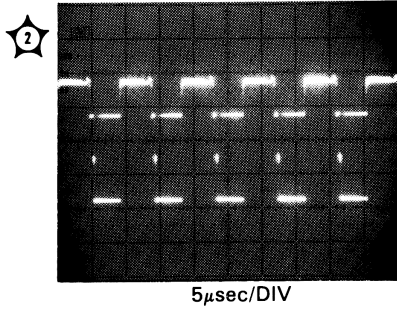
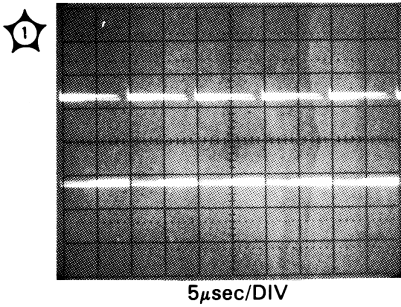


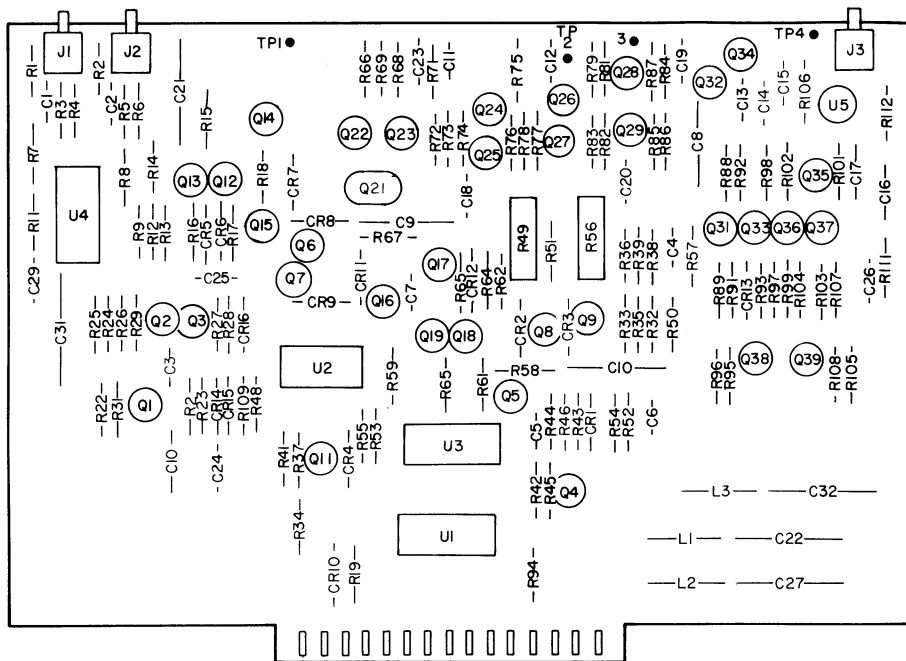
A31  
03585-66531



# B-4a

Figure 10-18. VTO and Dividers (66531)  
10-41





A32  
03585-66532

**NOTE**

Set up conditions for waveforms 1, 2, and 3:

1. Disconnect A32J3.
2. Ground A31TP1.
3. Enter:  
Recall 601  
Instr Preset  
Manual 450KHz
4. For waveform 3, unsolder one end of C8 or R67.

Set up conditions for waveforms 4, 5, 6, 7, 8, 9, and 10:

1. Connect A32J1, J2, and J3 as normal.
2. Enter:  
Recall 601  
Instr Preset  
Manual 450KHz

Set up conditions for waveforms 11, 12, 13, 14, and 15:

1. Connect A32J1, J2, and J3 as normal.
2. Enter:  
Recall 601  
Instr Preset  
Manual 450, 049Hz

Set up conditions for the DC voltages:

1. Disconnect A32J2 and J3.
2. Ground A31TP1.
3. Enter:  
Recall 601  
Instr Preset  
Manual 450KHz

3585-B-33

PHASE DETECTOR

B-1a 100KHZ (REF)  
FH A21(J8)

B-4c PHASE DETECT  
FH A33(J2)

BIAS SWITCH DRIVE

PHASE DETECTOR CURRENT

API 1, 2, 3 CURRENT SWITCHES

API CURRENT DIVIDERS

PHASE DETECTOR CURRENT

INTEGRATOR SUMMING NODE

API + BIAS CURRENT

BIAS/API SUMMING NODE

SUMMING APIP

BIAS CURRENT SOURCE

INTEGRATOR

P/O A10 ANALOG MOTHER BOARD  
03585-66510

B-4c TO N LOGIC  
To A33(B1)

B-4c CLOCK  
FH A33(B12)

B-4c BIAS  
FH A33(A9)

B-4c API 1  
FH A33(A3)

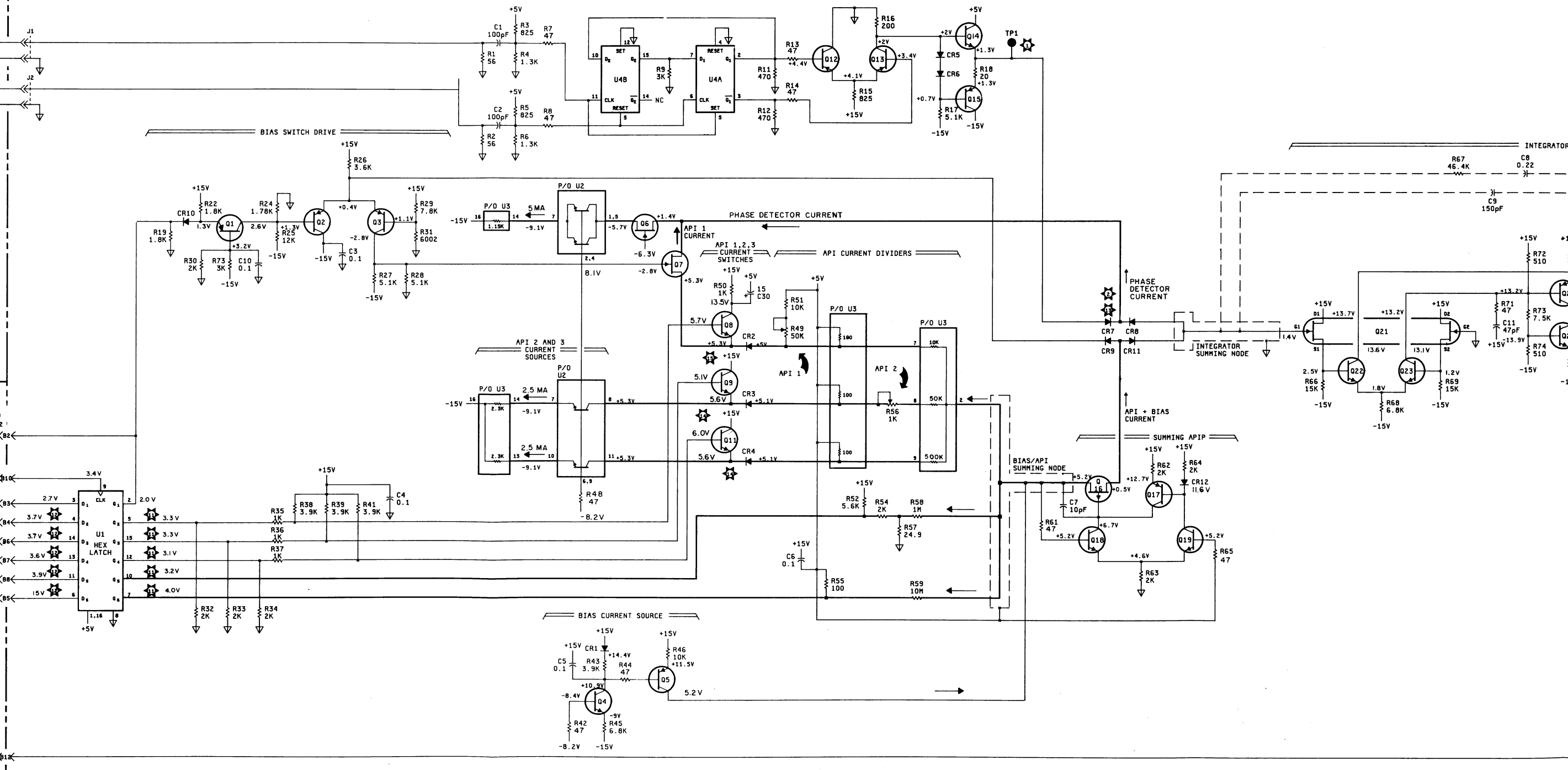
B-4c API 2  
FH A33(A4)

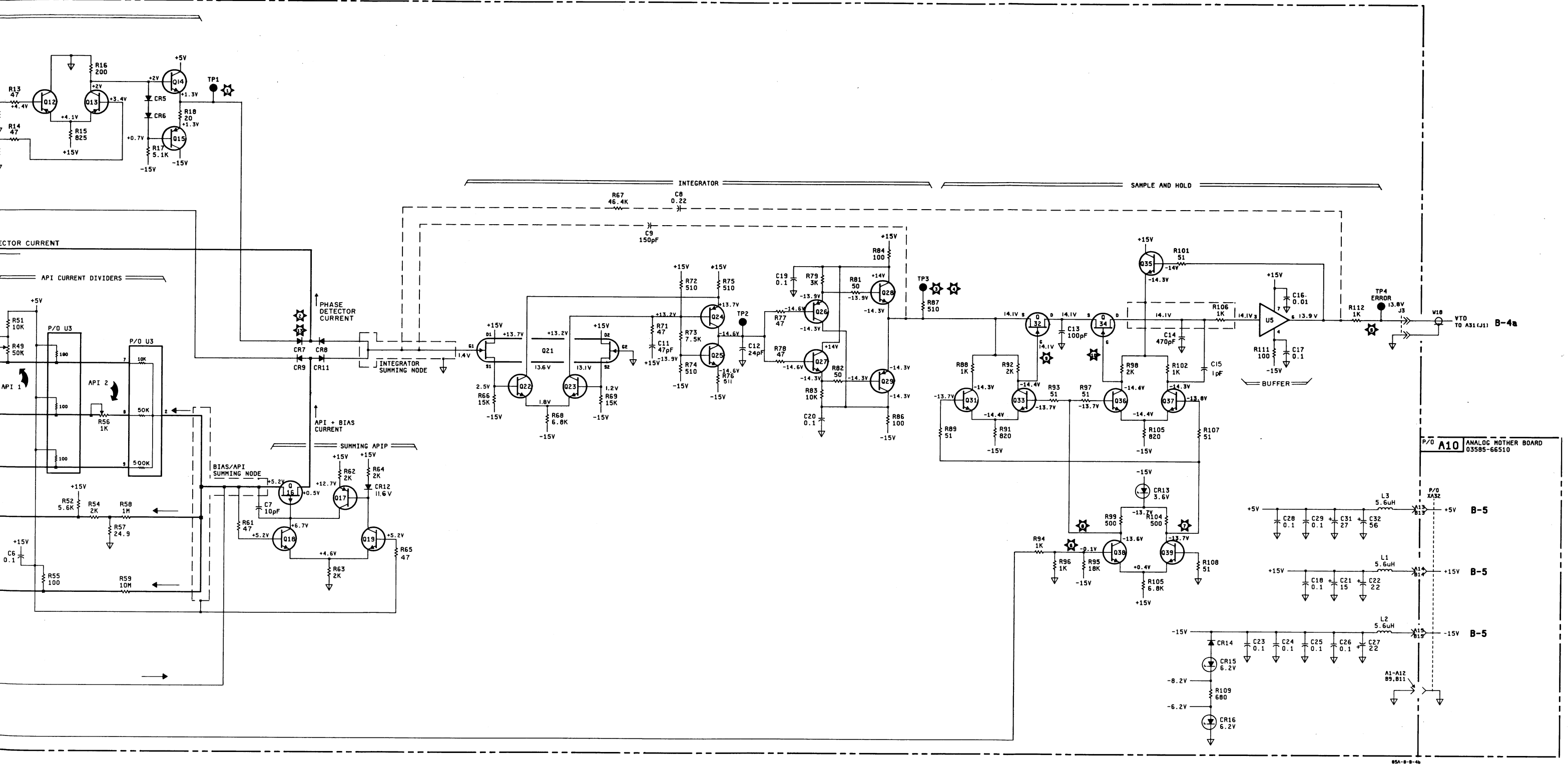
B-4c API 3  
FH A33(A5)

B-4c API 4  
FH A33(A6)

B-4c API 5  
FH A33(A7)

B-4c S/H  
FH A33(A10)

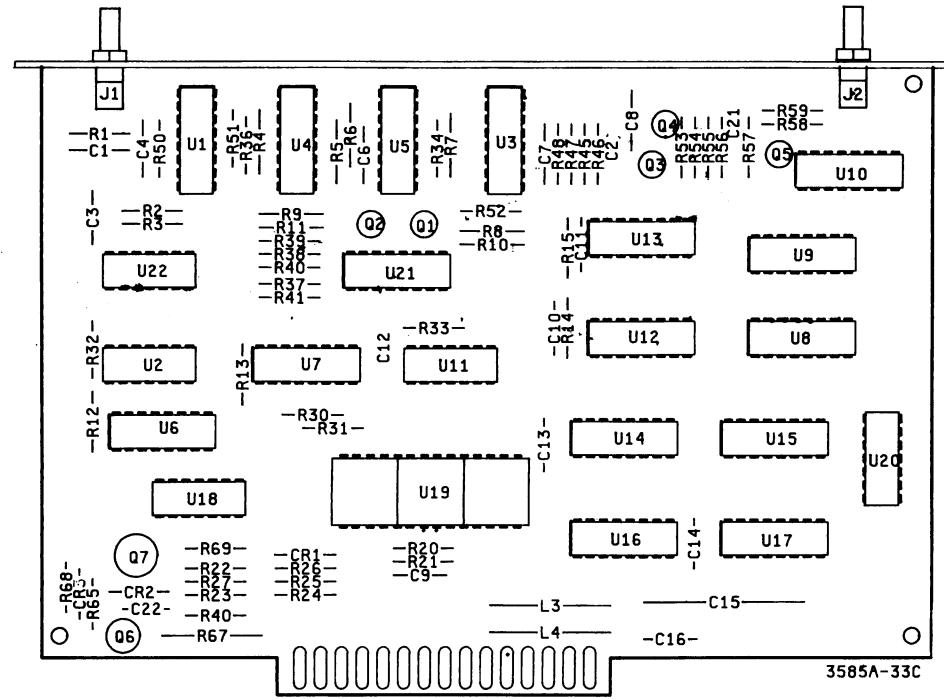




# B-4b

Figure 10-19. Analog (66532)  
10-43/10-44





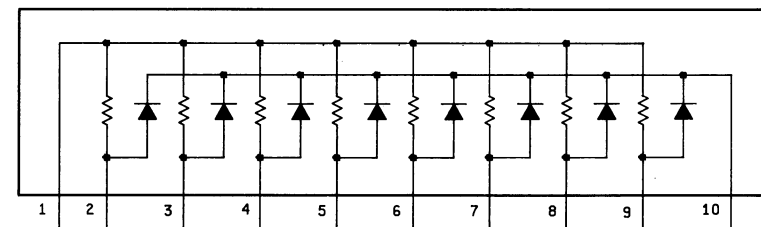
A33  
03585-66533

**NOTE**

Set up conditions for waveform 1:

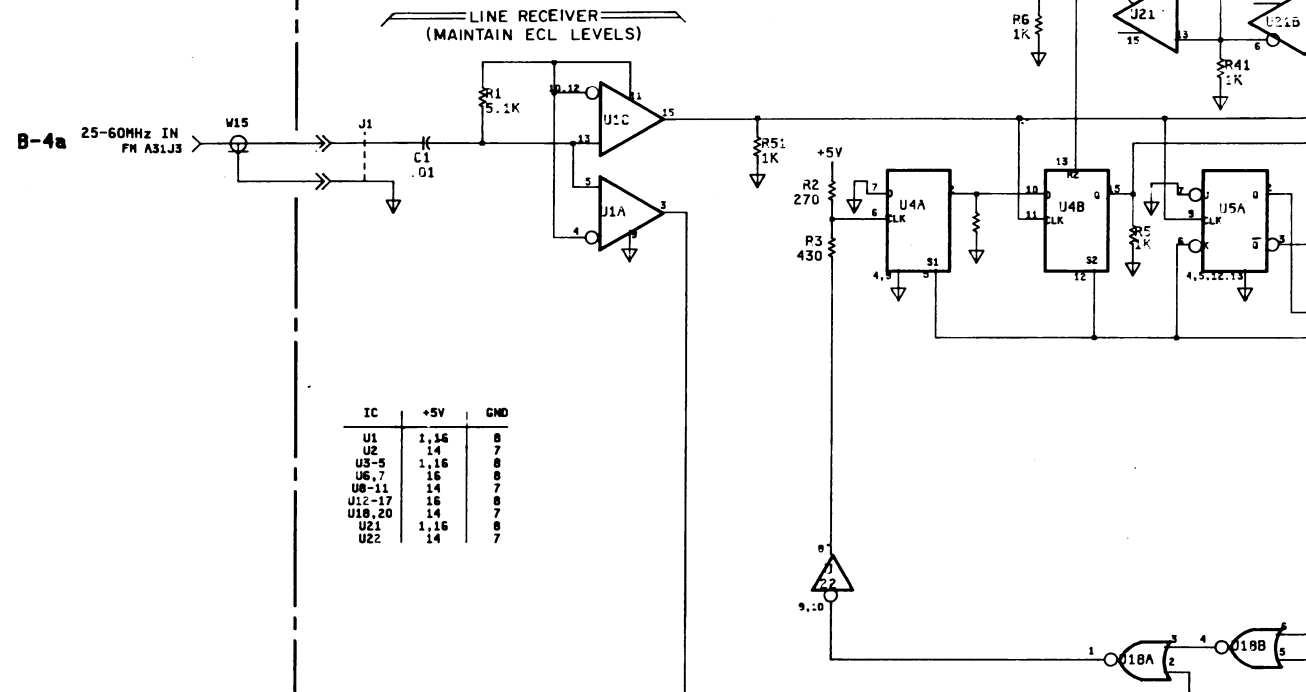
1. Connect the 10MHz Ref Output of the 3585A to the synthesizer Ref input.
2. Disconnect A33J1 and connect the synthesizer to A33J1 using the BNC-to-Selectro cable.
3. Set the synthesizer for 50MHz, +4dBm.
4. Enter:  
Recall 601  
Instr Preset  
Res BW 3KHz  
Manual 650KHz
5. You may have to increase the oscilloscope intensity to observe the waveform.

R12 DETAIL

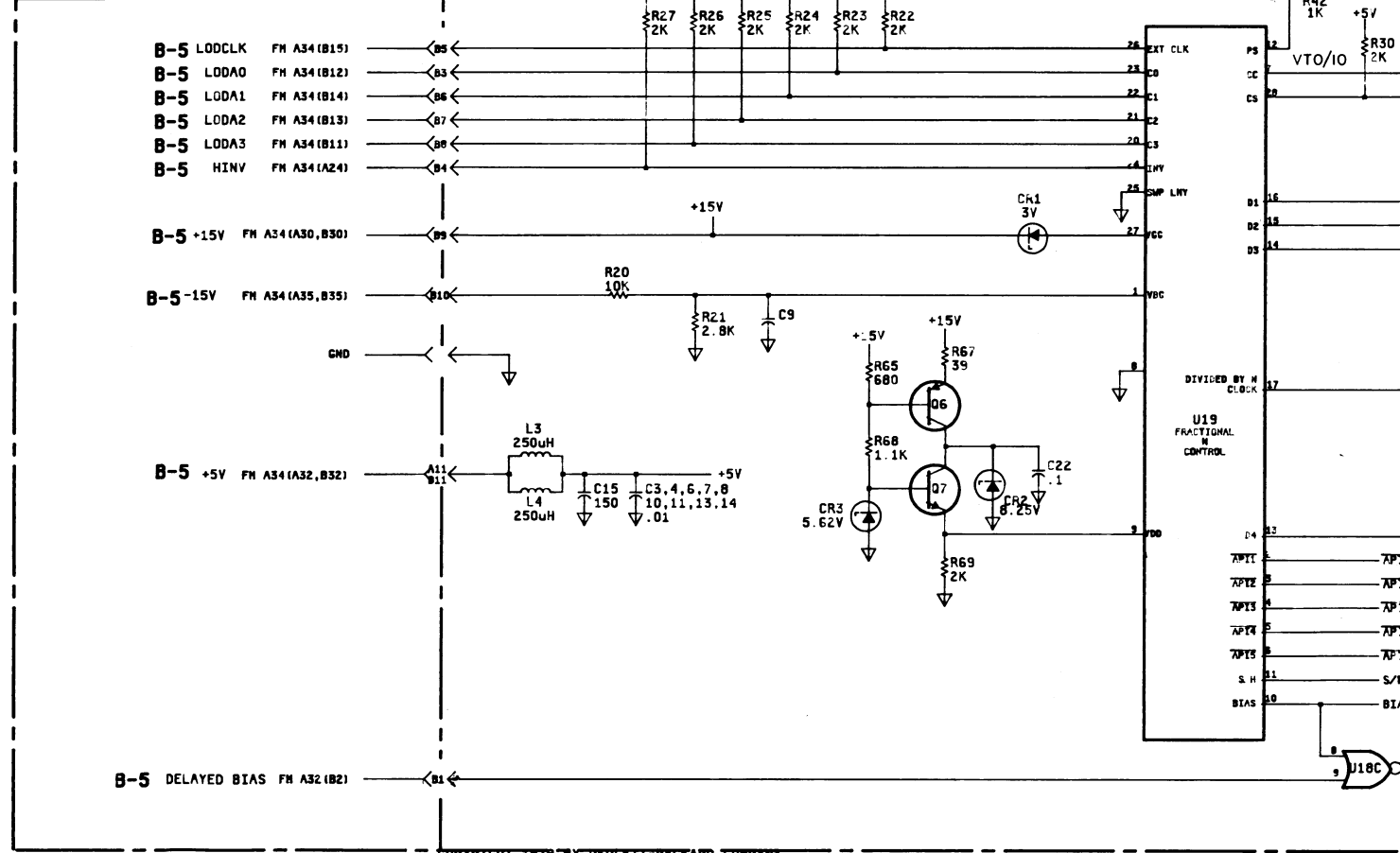


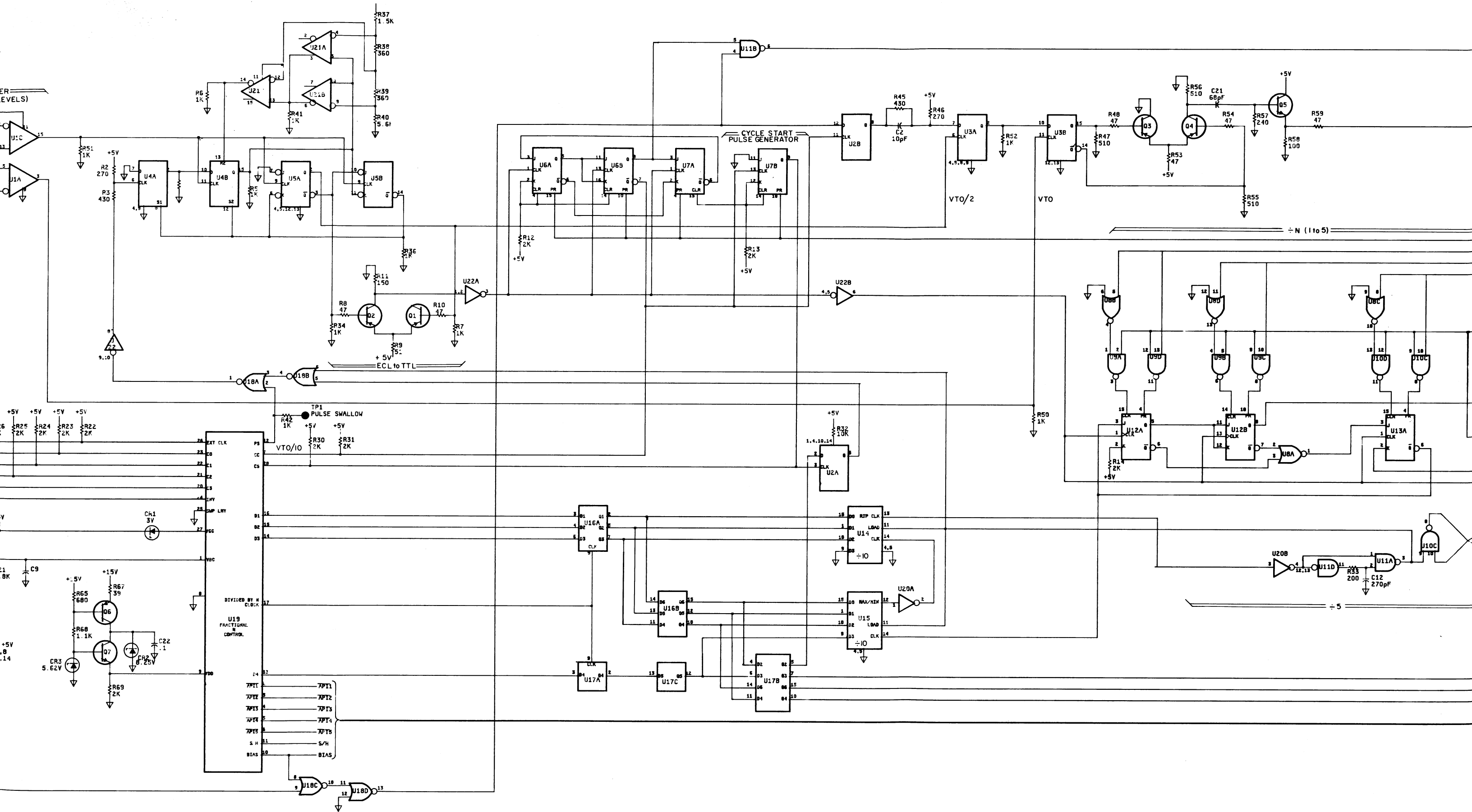
3585A-133A

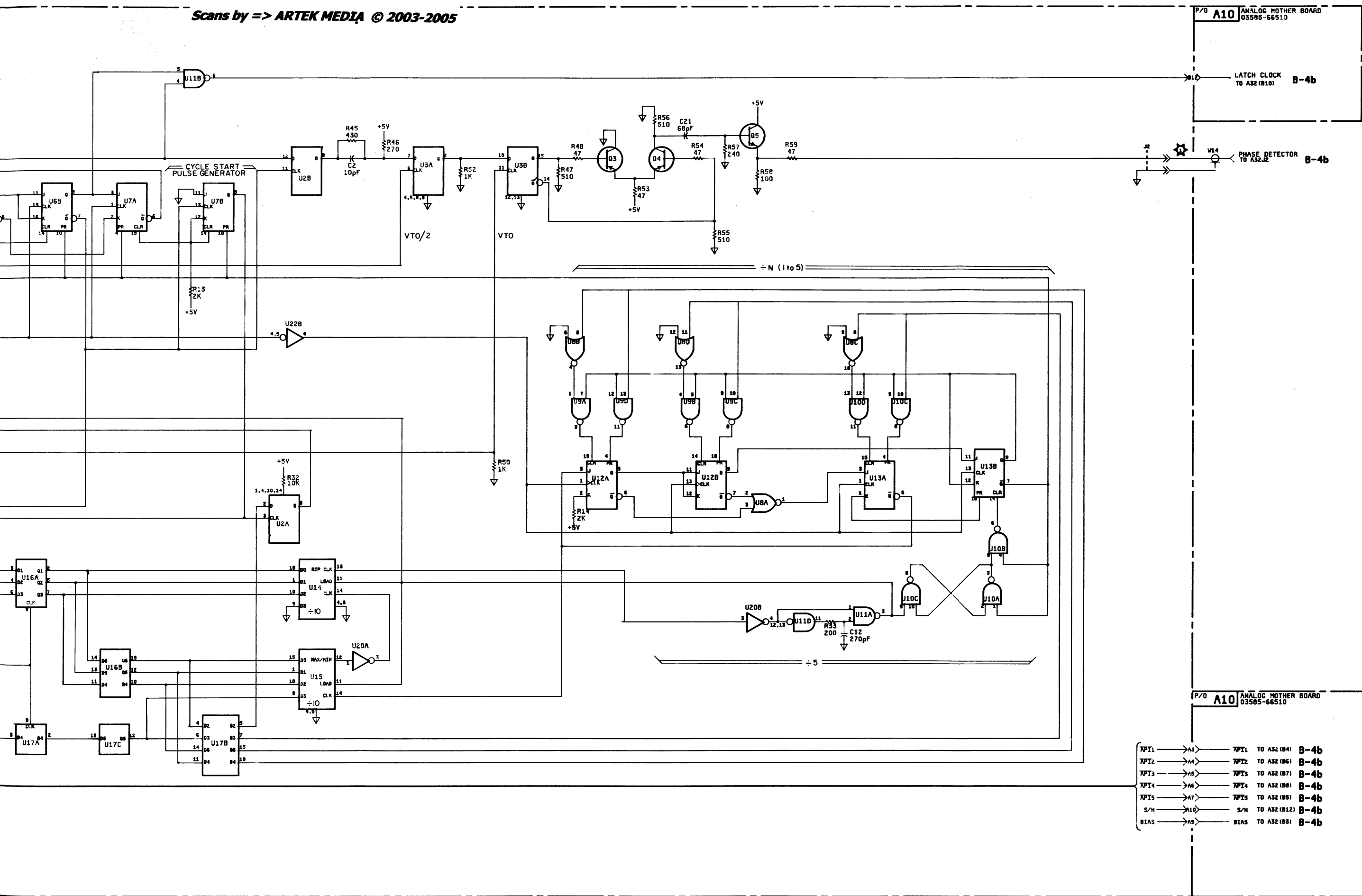
A33 DIVIDED BY 4 COUNTER  
03585-66533



A10 ANALOG MOTHER BOARD  
03585-66510





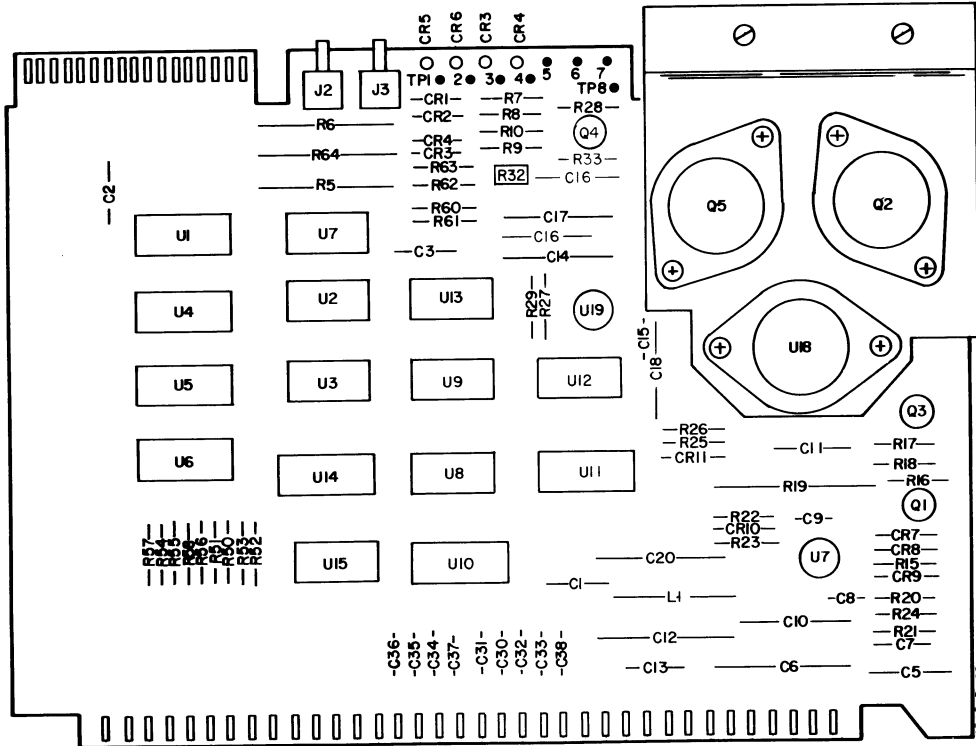


P/O A10 ANALOG MOTHER BOARD 03585-66510

- XPT1 → A5 → XPT1 TO A32 (B4) B-4b
- XPT2 → A4 → XPT2 TO A32 (B6) B-4b
- XPT3 → A5 → XPT3 TO A32 (B7) B-4b
- XPT4 → A6 → XPT4 TO A32 (B8) B-4b
- XPT5 → A7 → XPT5 TO A32 (B9) B-4b
- S/H → A10 → S/H TO A32 (B12) B-4b
- BIAS → A8 → BIAS TO A32 (B9) B-4b

**B-4c**

Figure 10-20. Divided By N Counter (66533)  
10-45/10-46



A34  
03585-66534

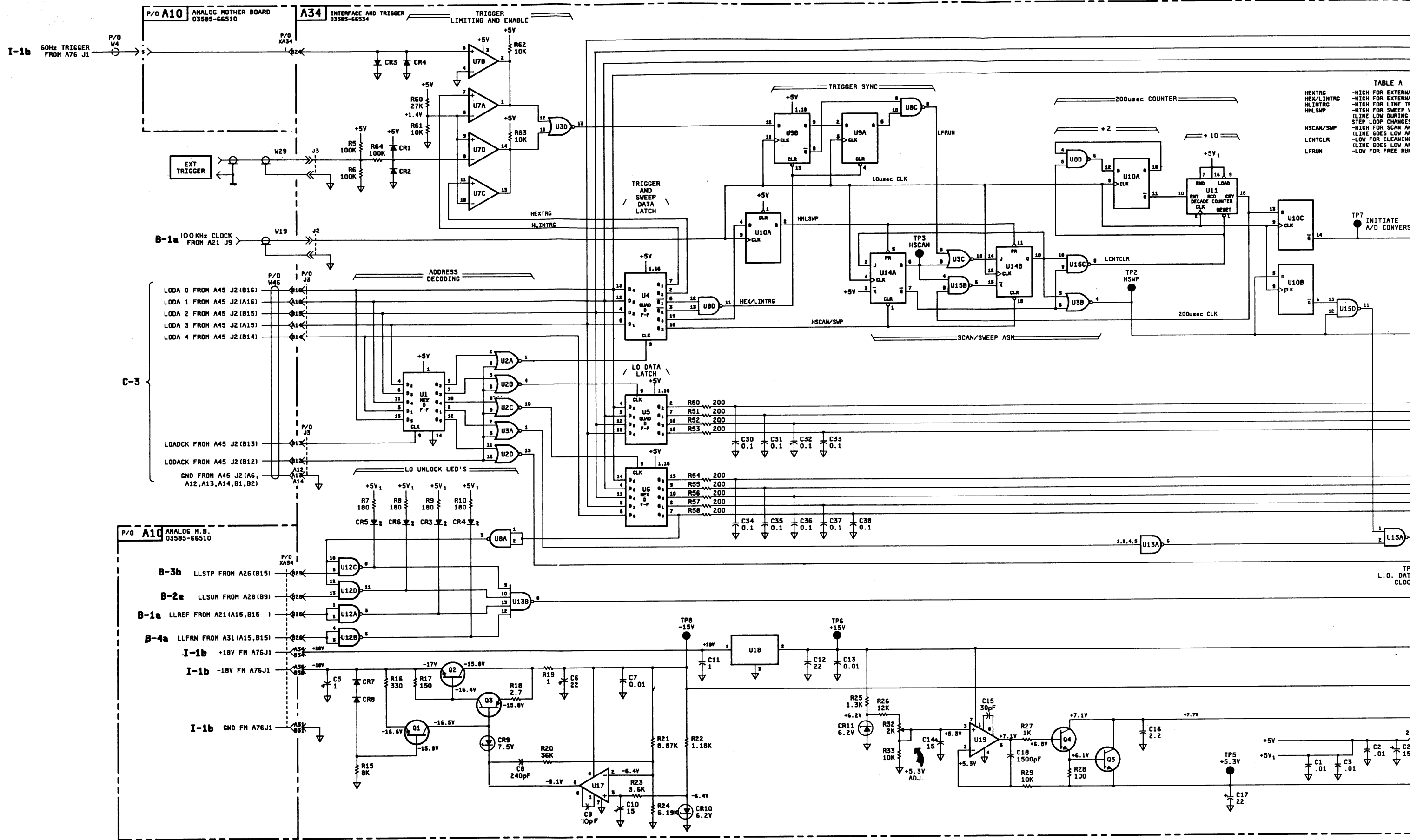
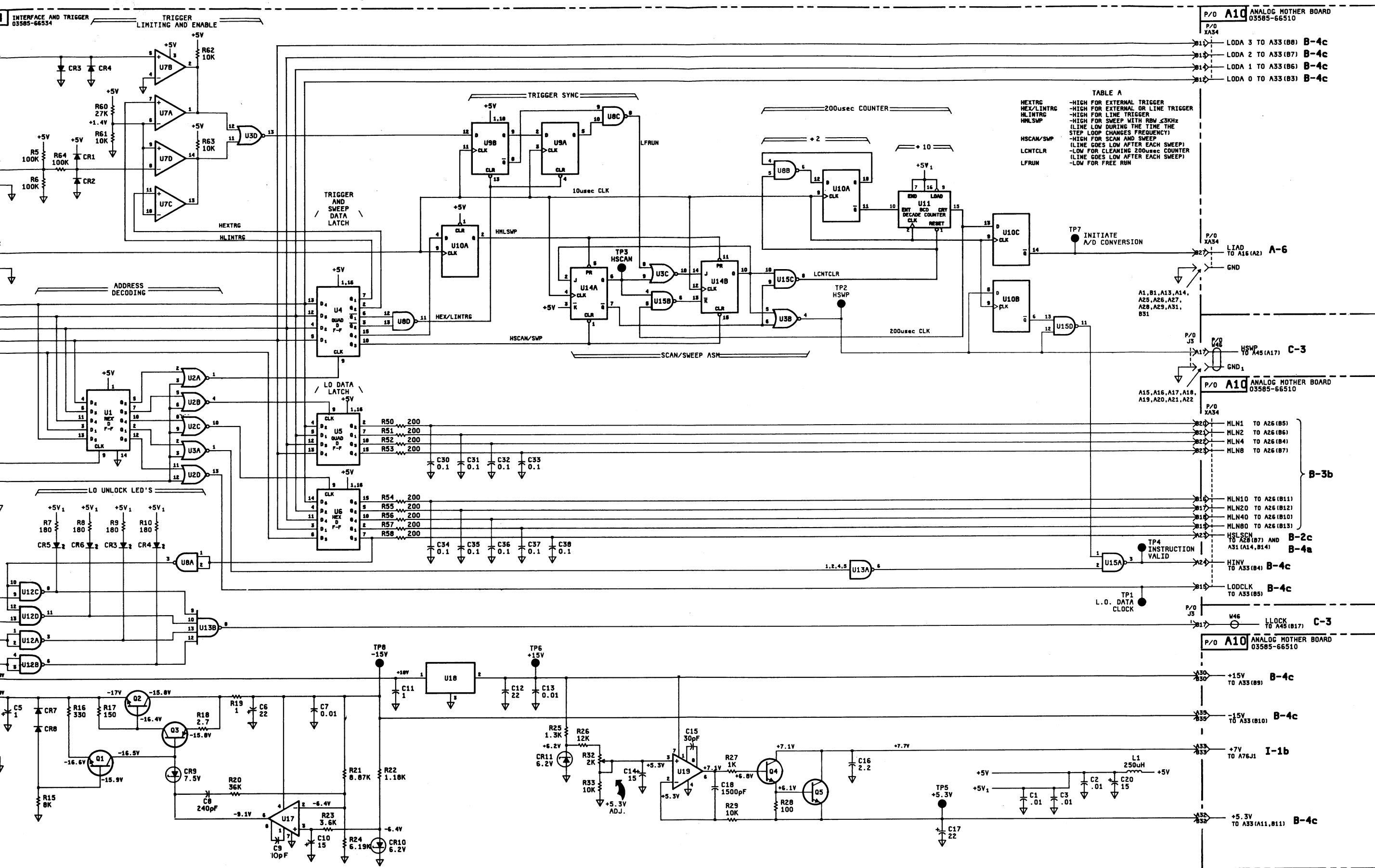


TABLE A

HEXTRG	-HIGH FOR EXTERNAL
HEX/LINTRG	-HIGH FOR EXTERNAL
HLINTRG	-HIGH FOR LINE TR
HLSWP	-HIGH FOR SWEEP V
HSCAN/SWP	(LINE LOW DURING
LCNTCLR	STEP LOOP CHANGES
LFRUN	-HIGH FOR SCAN AN
	(LINE GOES LOW AF
	-LOW FOR CLEANING
	(LINE GOES LOW AF
	-LOW FOR FREE RUN



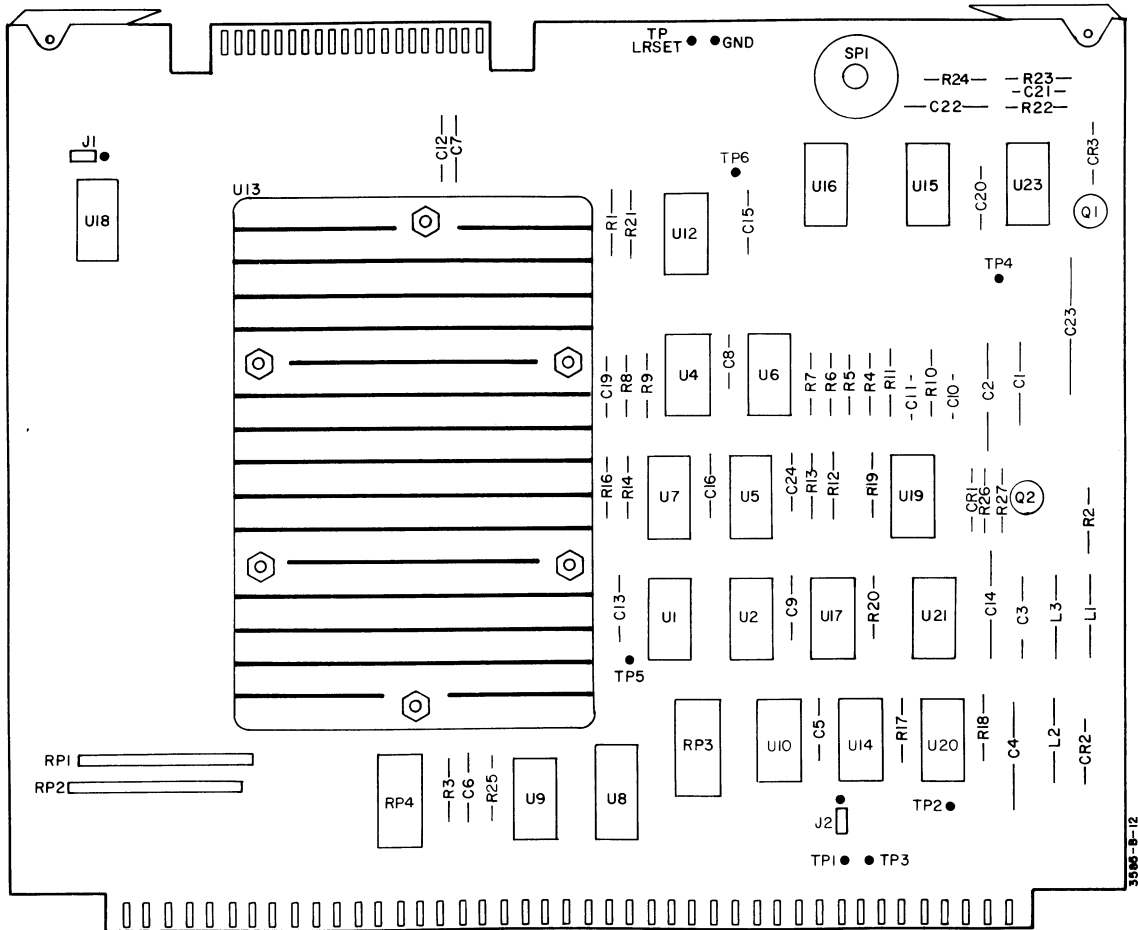
**TABLE A**

HEXTRG	-HIGH FOR EXTERNAL TRIGGER
HEX/LINTRG	-HIGH FOR EXTERNAL OR LINE TRIGGER
HLSWP	-HIGH FOR SWEEP WITH RBW < 3KHz (LINE LOW DURING THE TIME THE STEP LOOP CHANGES FREQUENCY)
HSCAN/SWP	-HIGH FOR SCAN AND SWEEP (LINE GOES LOW AFTER EACH SWEEP)
LCNTCLR	-LOW FOR CLEANING 200usec COUNTER (LINE GOES LOW AFTER EACH SWEEP)
LFRUN	-LOW FOR FREE RUN

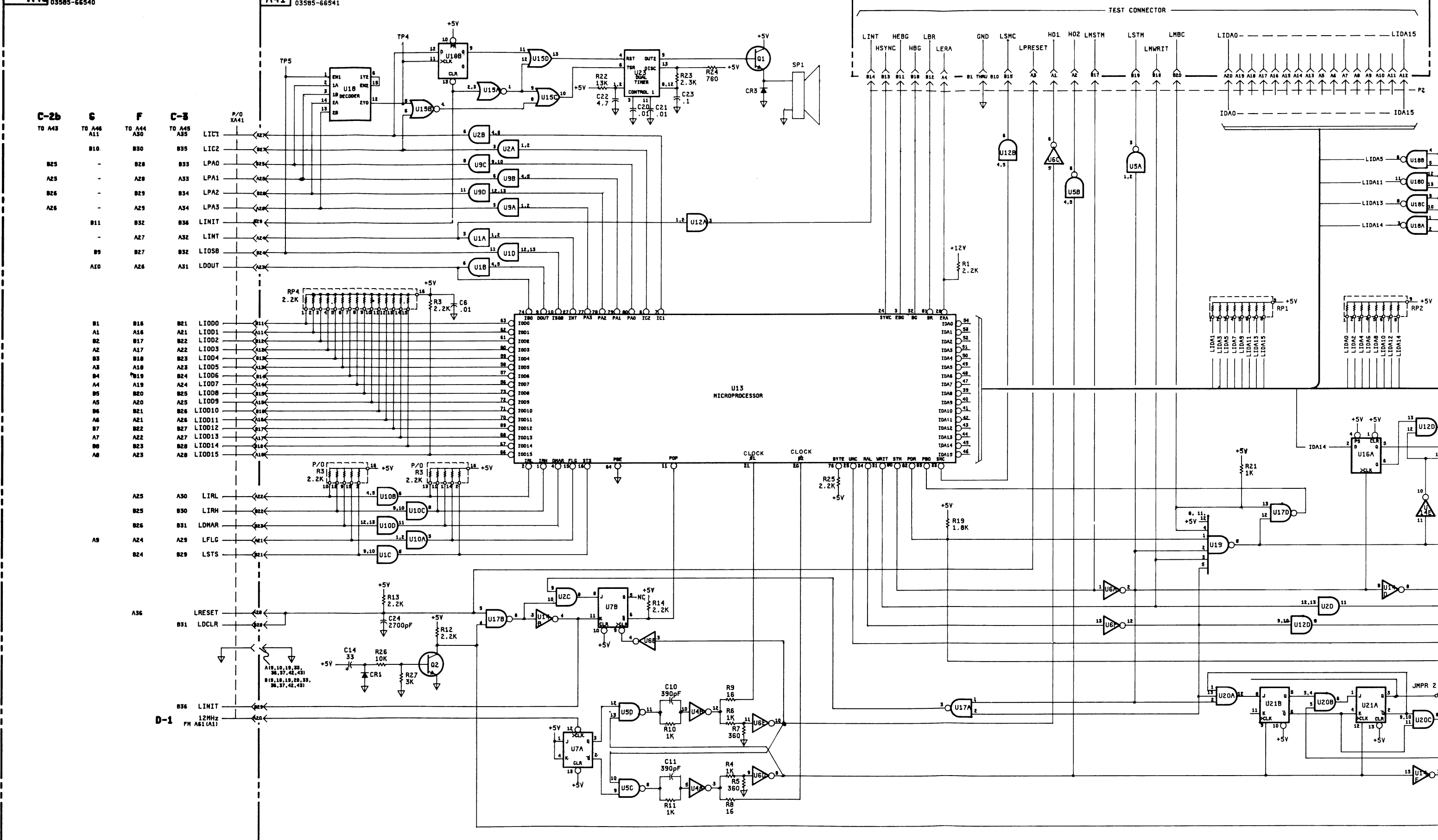
IC	+5V	GND
1	1,16	8
2	14	7
3	14	7
4	1,16	8
5	1,16	8
6	1,16	8
7	-	12
8	14	7
9	1,10,14	7
10	16	8
11	-	8
12	14	7
13	-	-
14	16	8
15	14	7

# B-5

Figure 10-21. Interface And Trigger (66534) 10-47/10-48



A41  
03585-66541



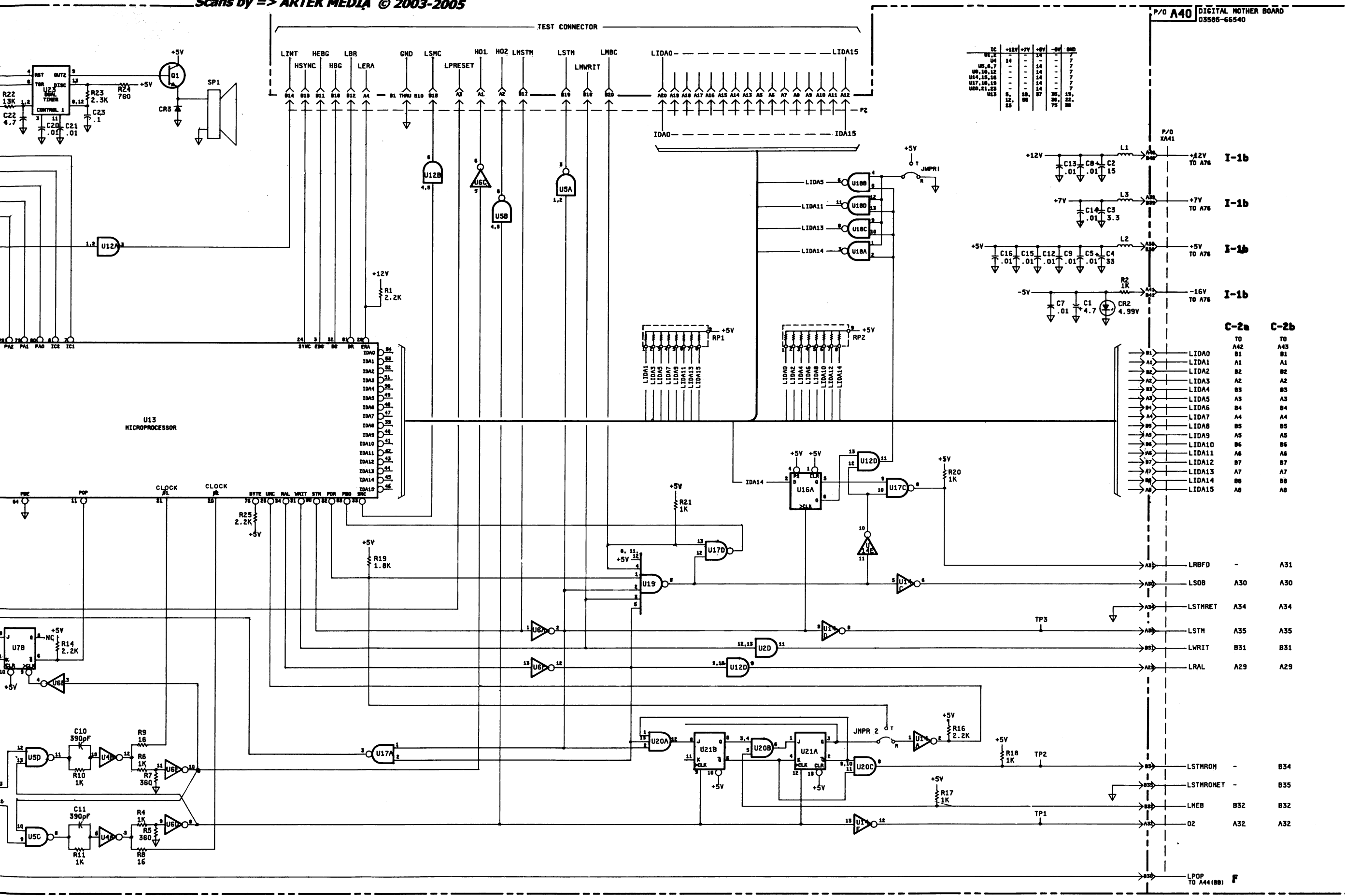
<b>C-2b</b>	<b>G</b>	<b>F</b>	<b>C-3</b>
TO A43	TO A46	TO A44	TO A45
	A11	A30	A35
B25	B10	B30	B35
A25		B28	B33
B26		A28	A33
A26		B29	B34
		A29	A34
		B32	B36
		A27	A32
		B27	B32
		A26	A31

B1	B16	B21	LIOD0
A1	A16	A21	LIOD1
B2	B17	B22	LIOD2
A2	A17	A22	LIOD3
B3	B18	B23	LIOD4
A3	A18	A23	LIOD5
B4	B19	B24	LIOD6
A4	A19	A24	LIOD7
B5	B20	B25	LIOD8
A5	A20	A25	LIOD9
B6	B21	B26	LIOD10
A6	A21	A26	LIOD11
B7	B22	B27	LIOD12
A7	A22	A27	LIOD13
B8	B23	B28	LIOD14
A8	A23	A28	LIOD15

A25	A30	LIRL
B25	B30	LIRH
B26	B31	LDMAR
A9	A24	LFLG
B24	B28	LSTS

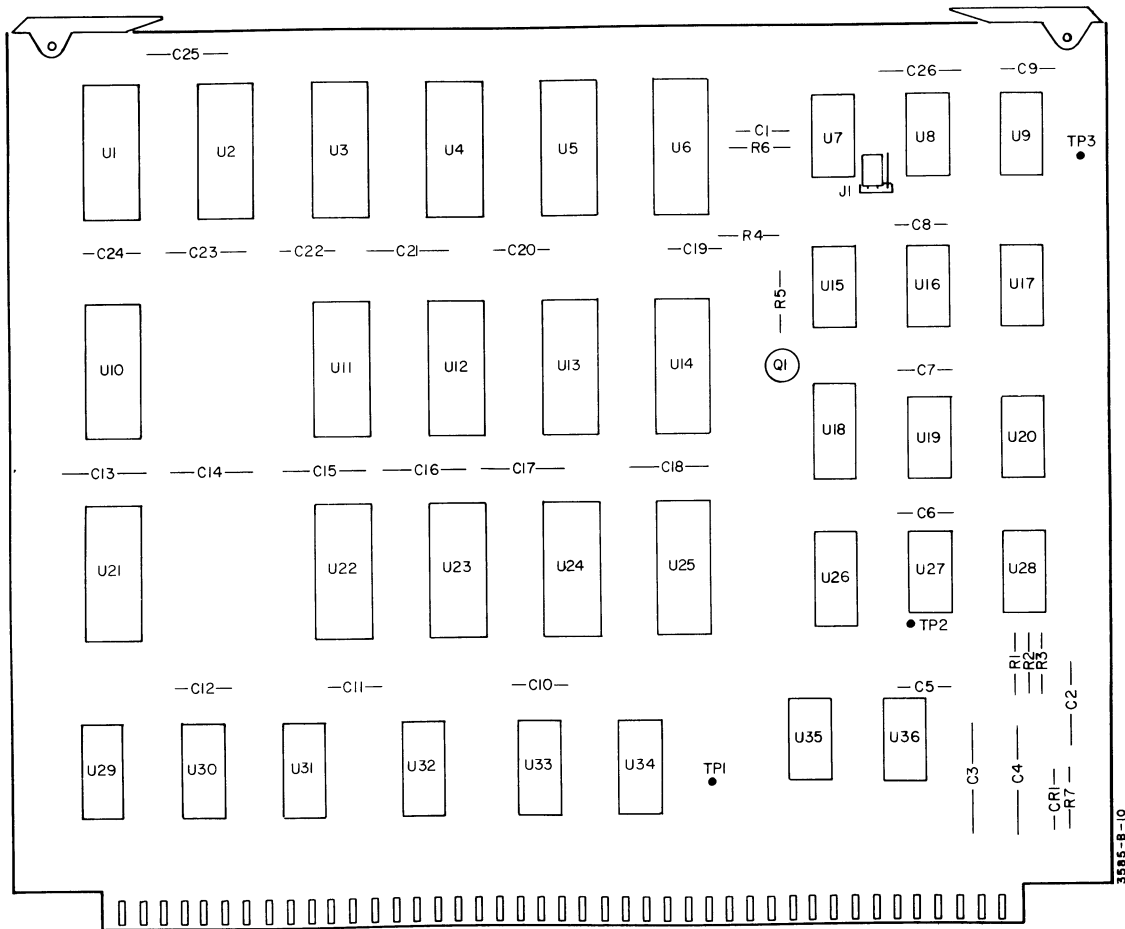
A36	LRESET
B31	LDCLR
B36	LIMIT



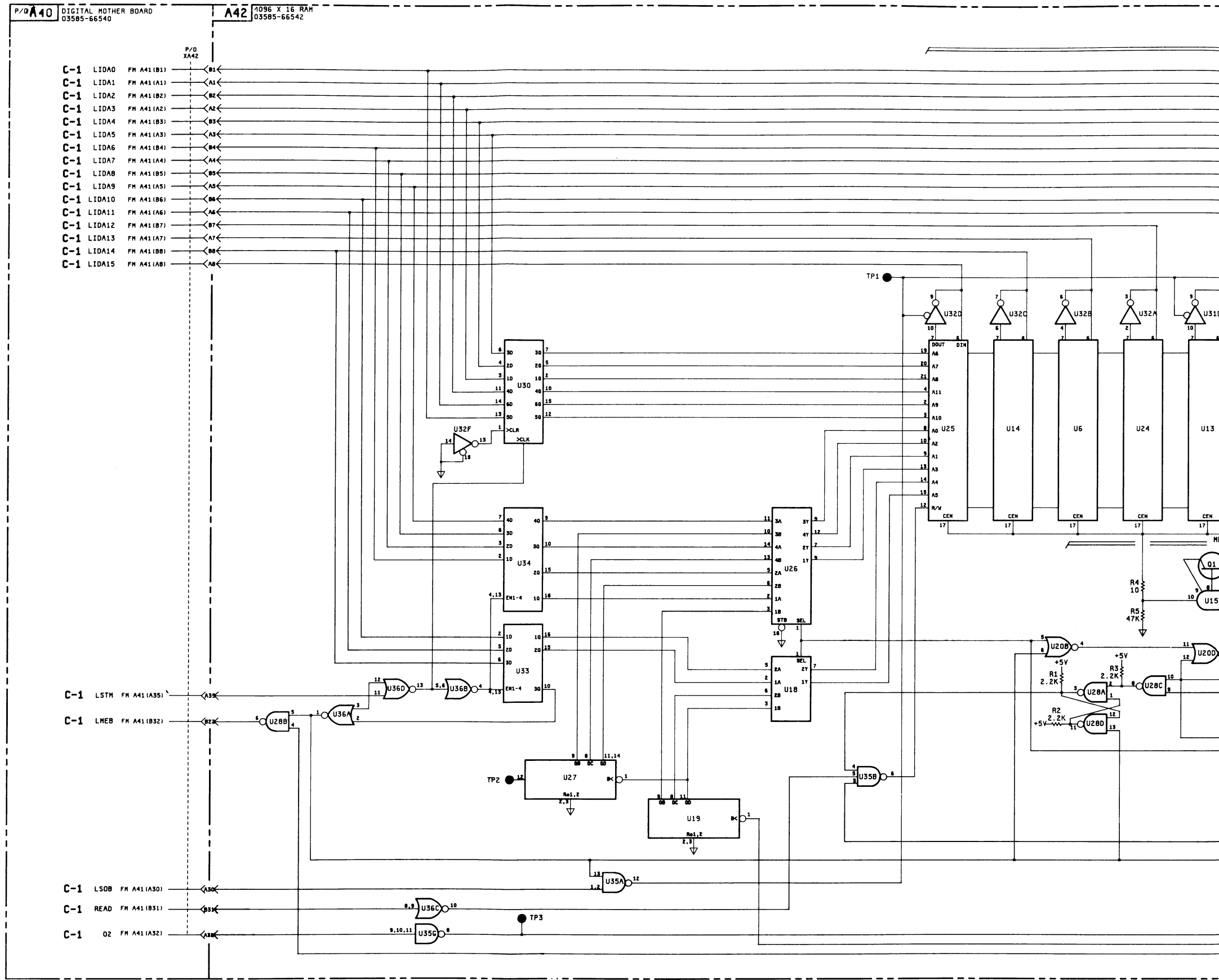


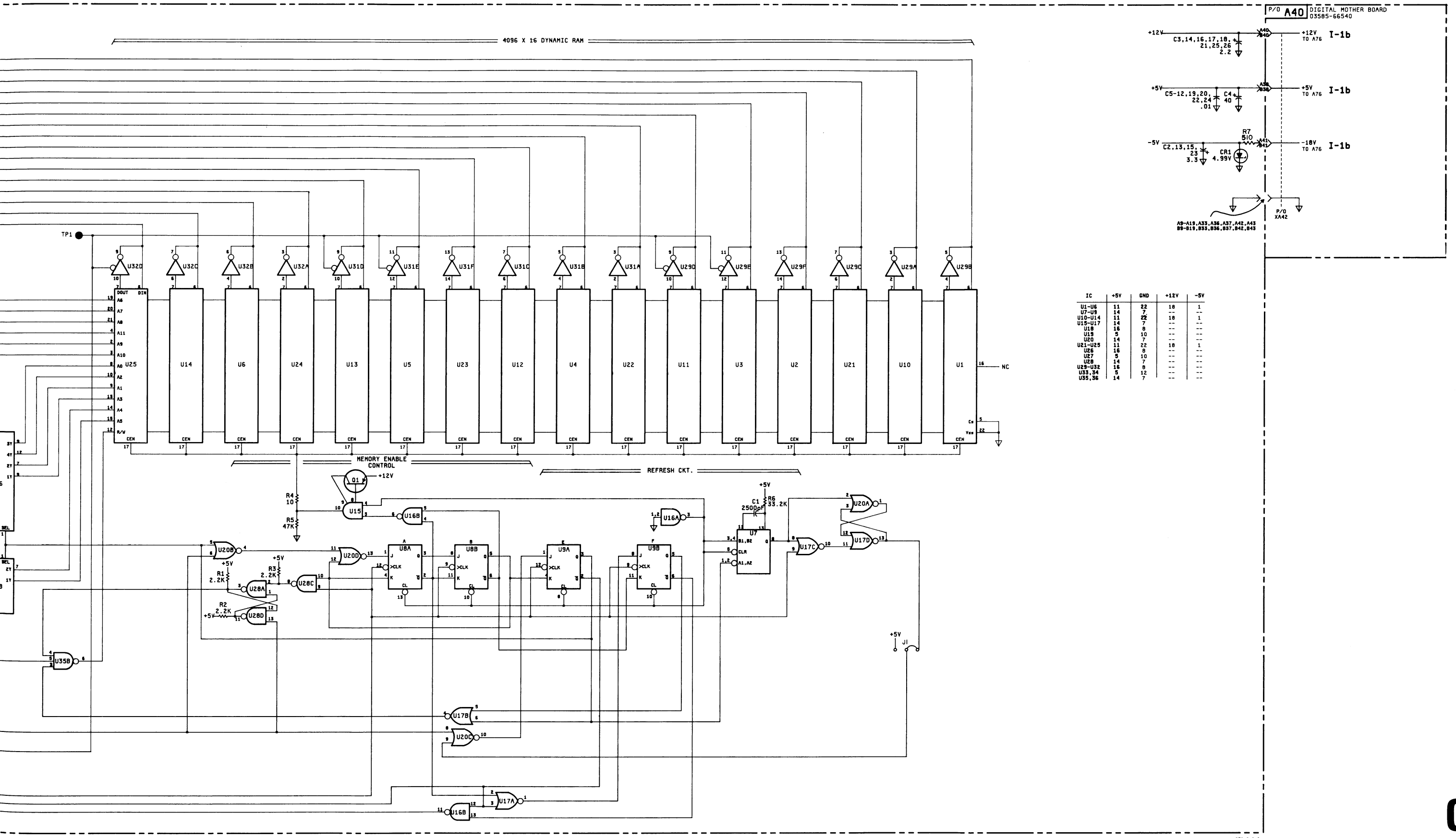
C-1

Figure 10-22. Central Processor (A41)  
10-49/10-50



A42  
03585-66542

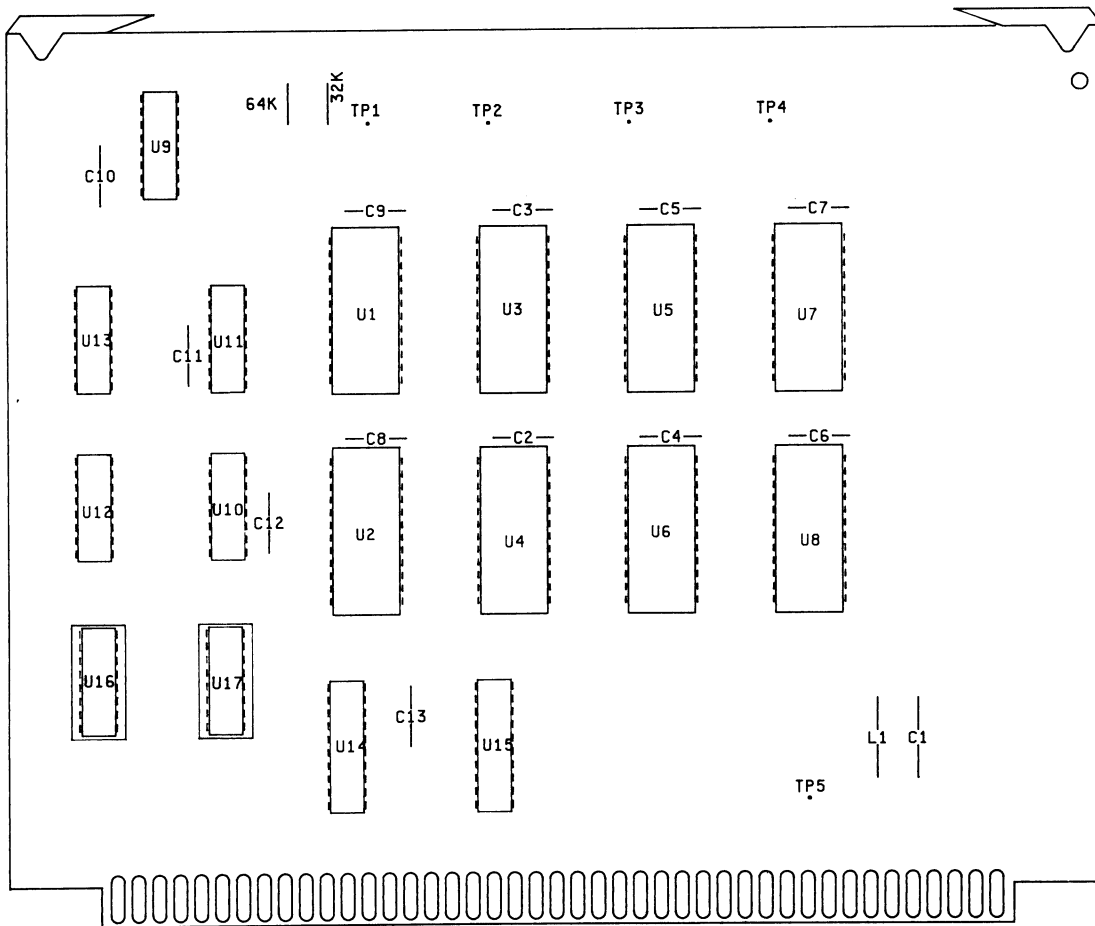




IC	+5V	GND	+12V	-5V
U1-U6	11	22	18	1
U7-U9	14	7	--	--
U10-U14	11	22	18	1
U15-U17	14	7	--	--
U18	16	8	--	--
U19	5	10	--	--
U20	14	7	--	--
U21-U25	11	22	18	1
U26	16	8	--	--
U27	5	10	--	--
U28	14	7	--	--
U29-U32	16	8	--	--
U33,34	5	12	--	--
U35,36	14	7	--	--

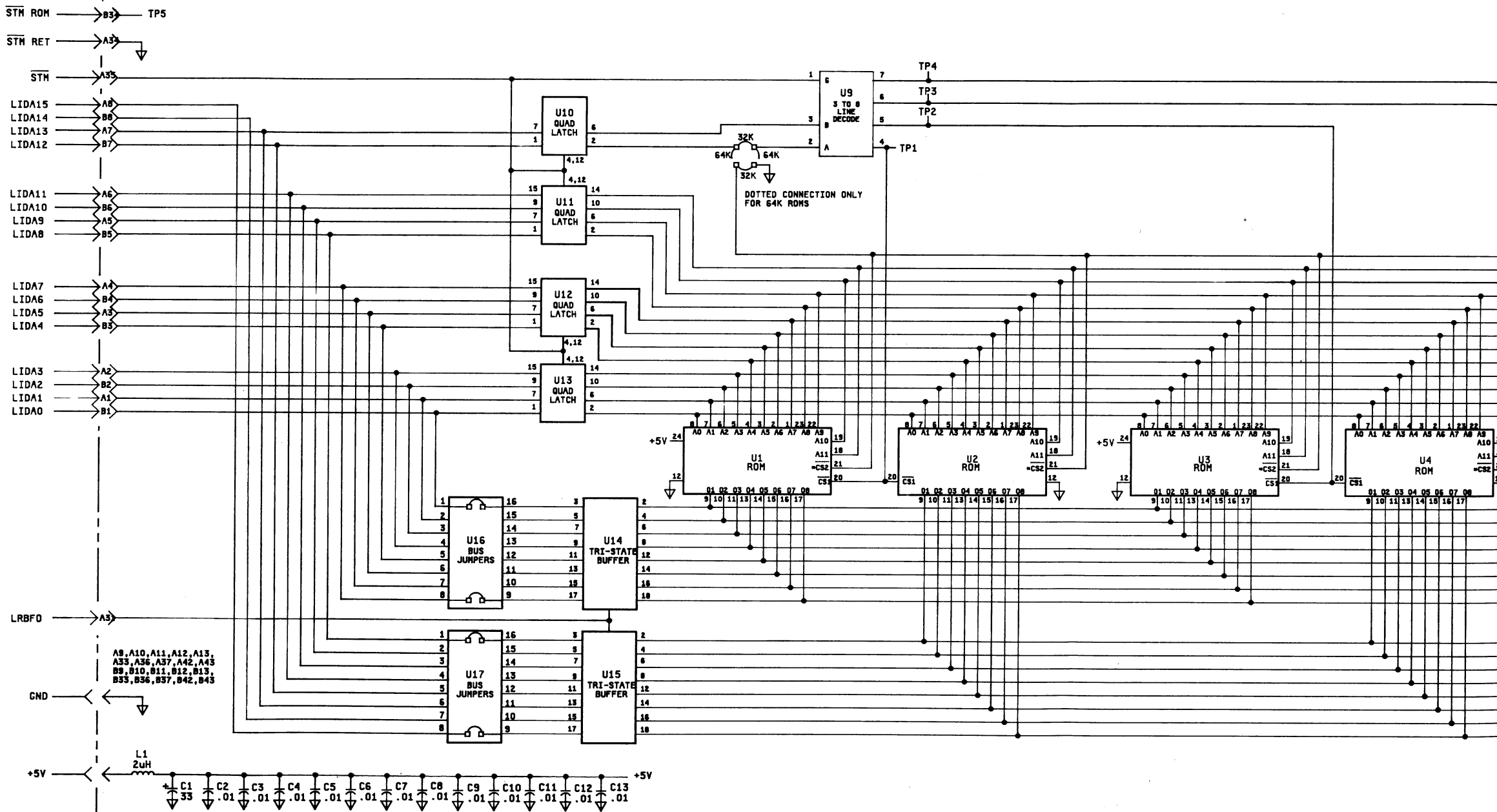
C-2

Figure 10-23. RAM Board (66542)  
10-51/10-52

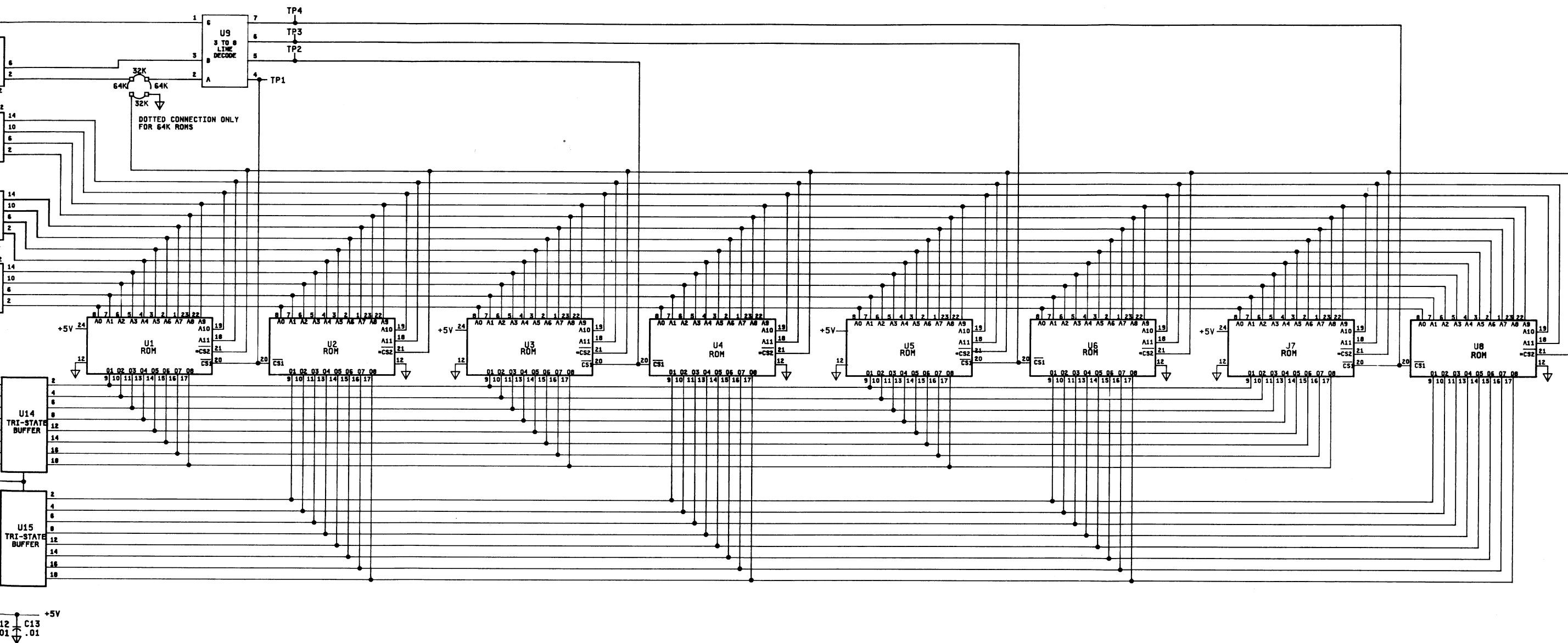


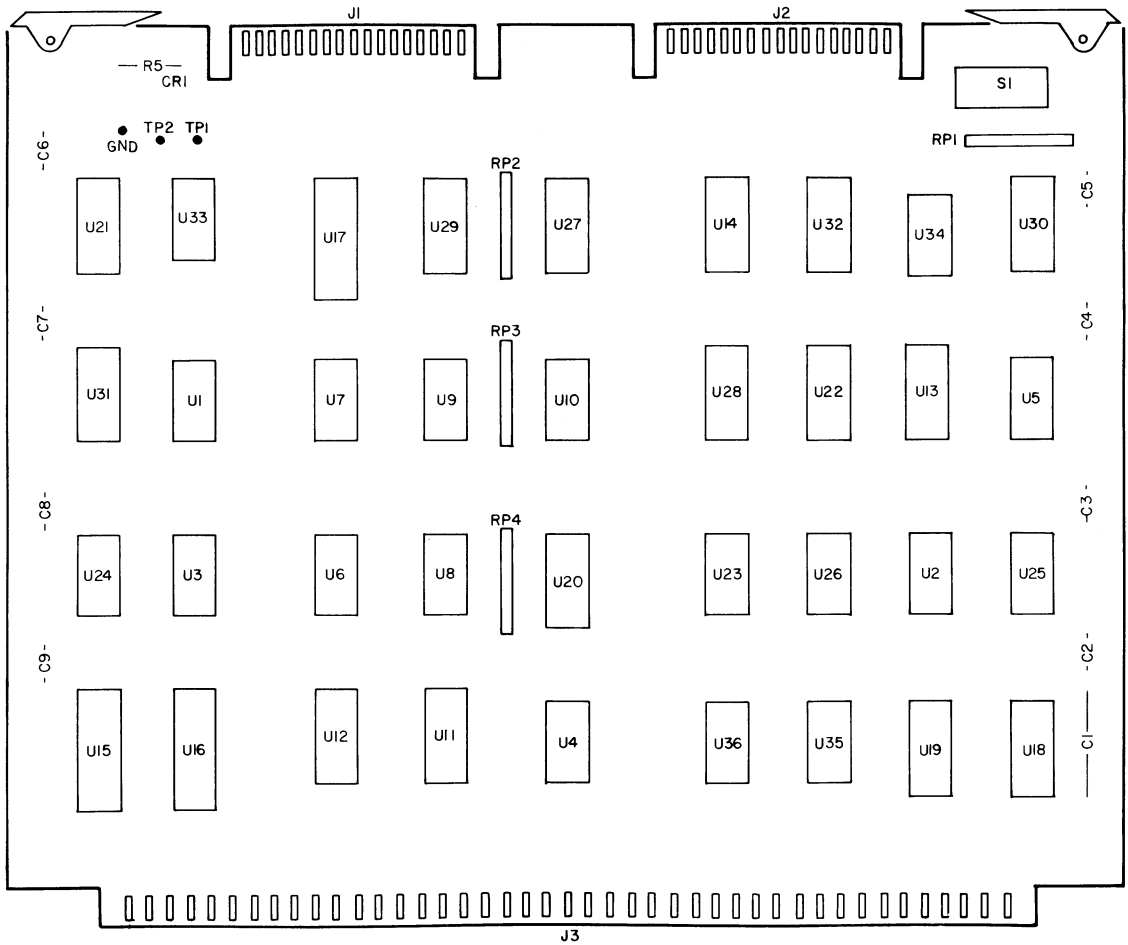
A43  
03585-66543

**A43 32K & 64K ROM BOARD**  
03585-66543



A8, A10, A11, A12, A13,  
A33, A36, A37, A42, A43,  
B9, B10, B11, B12, B13,  
B33, B36, B37, B42, B43

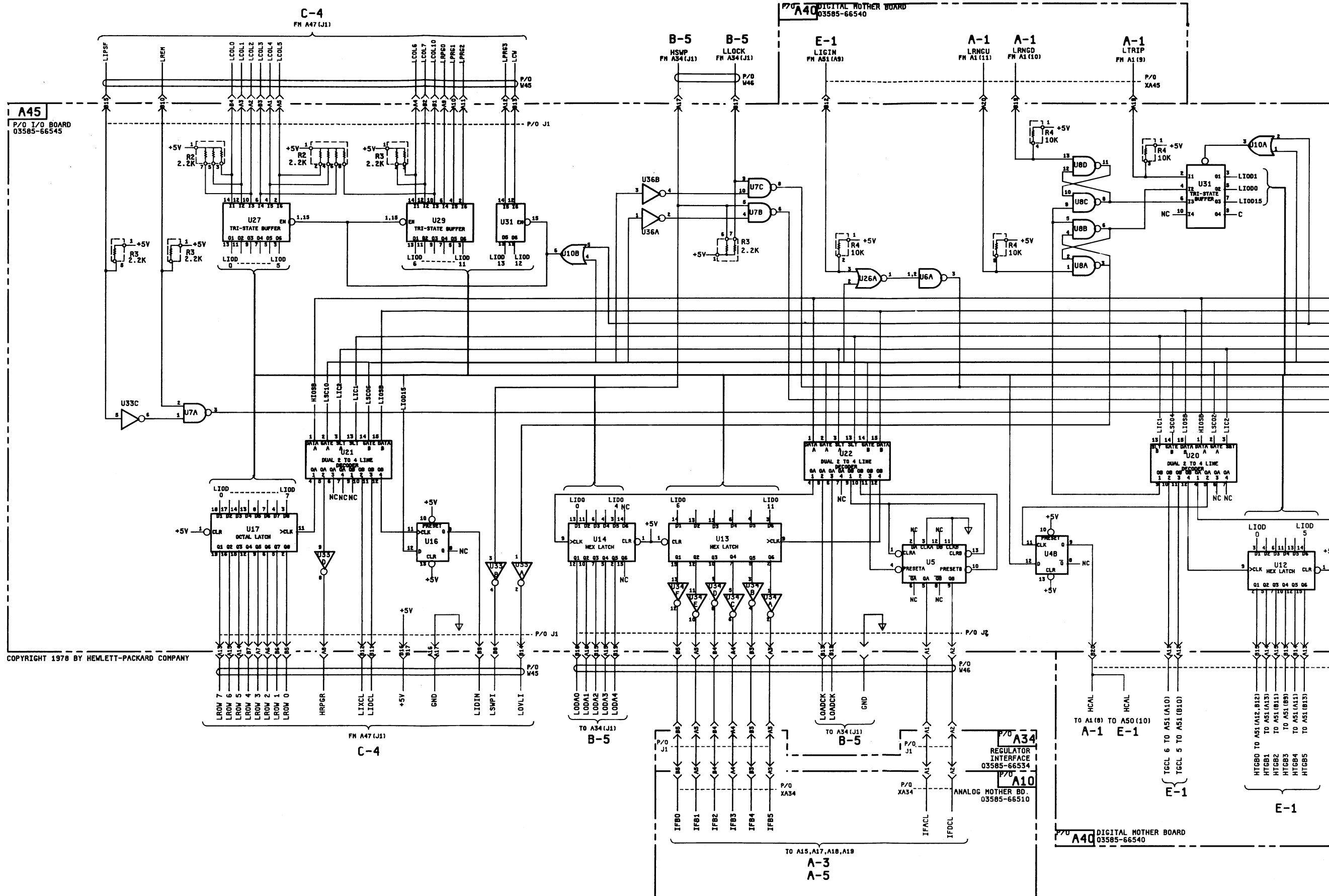




3585-B-18

A45  
03585-66545





A45  
P/O I/O BOARD  
03585-66545

A40  
DIGITAL MOTHER BOARD  
03585-66540

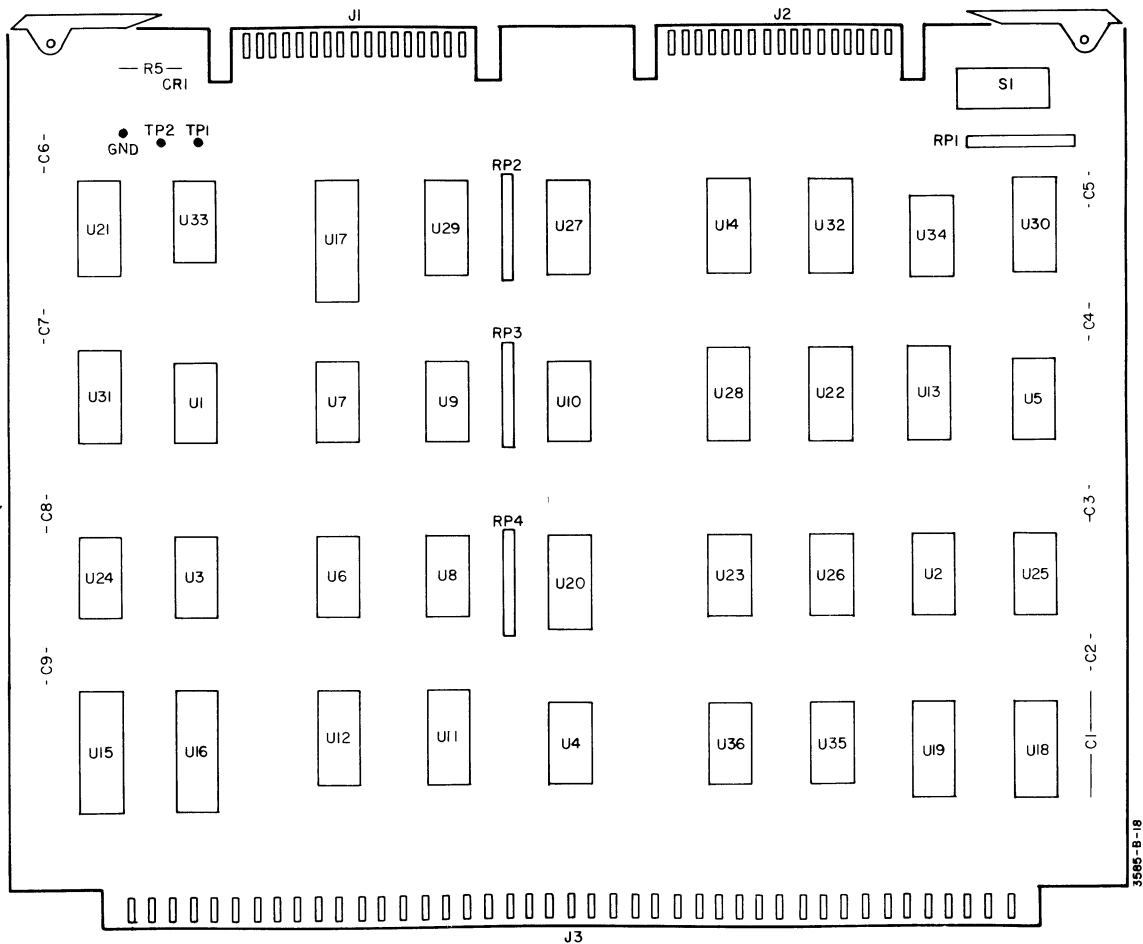
COPYRIGHT 1978 BY HEWLETT-PACKARD COMPANY

A34  
REGULATOR  
INTERFACE  
03585-66534  
A10  
ANALOG MOTHER BD.  
03585-66510

A40  
DIGITAL MOTHER BOARD  
03585-66540

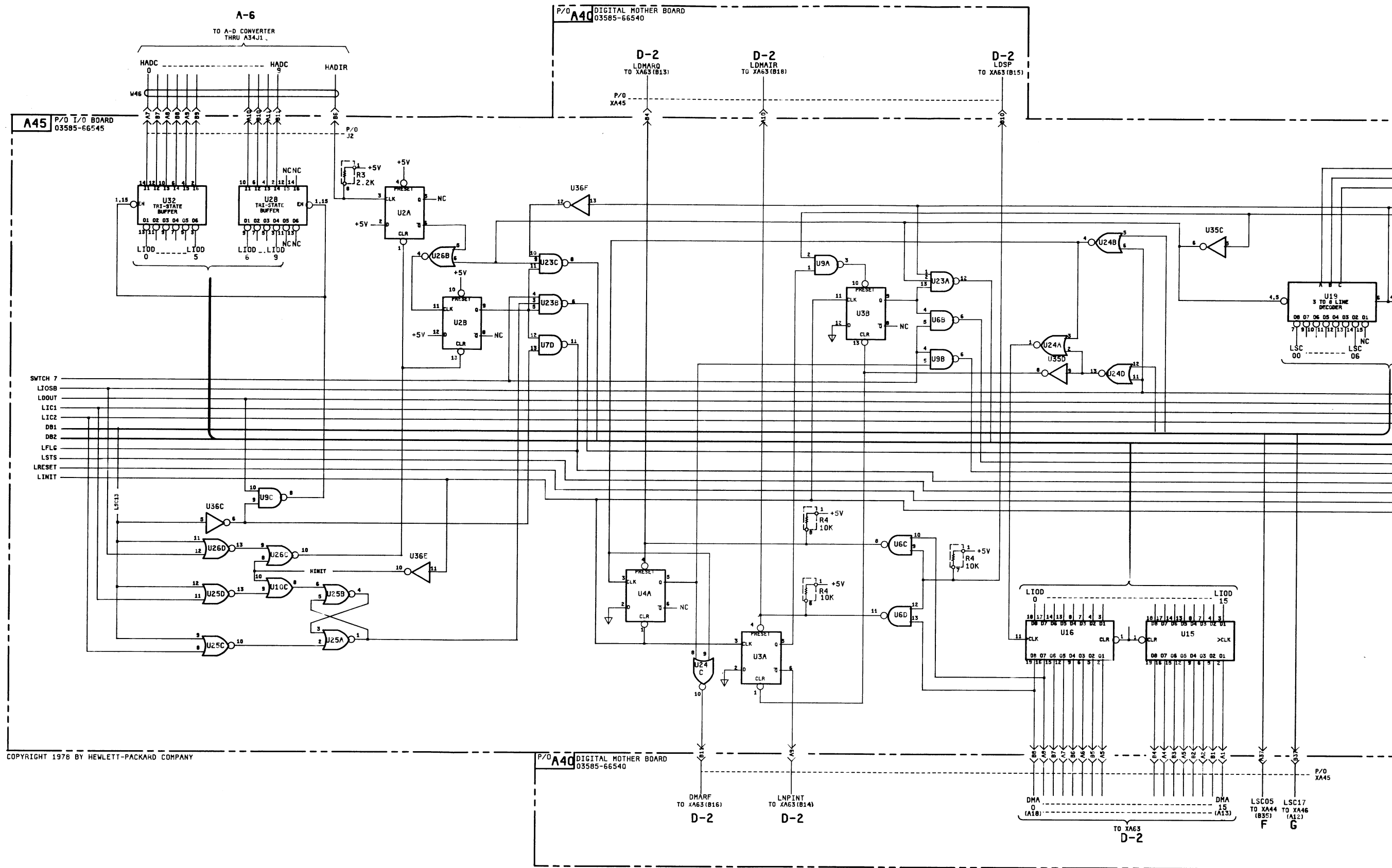
3585-B-18



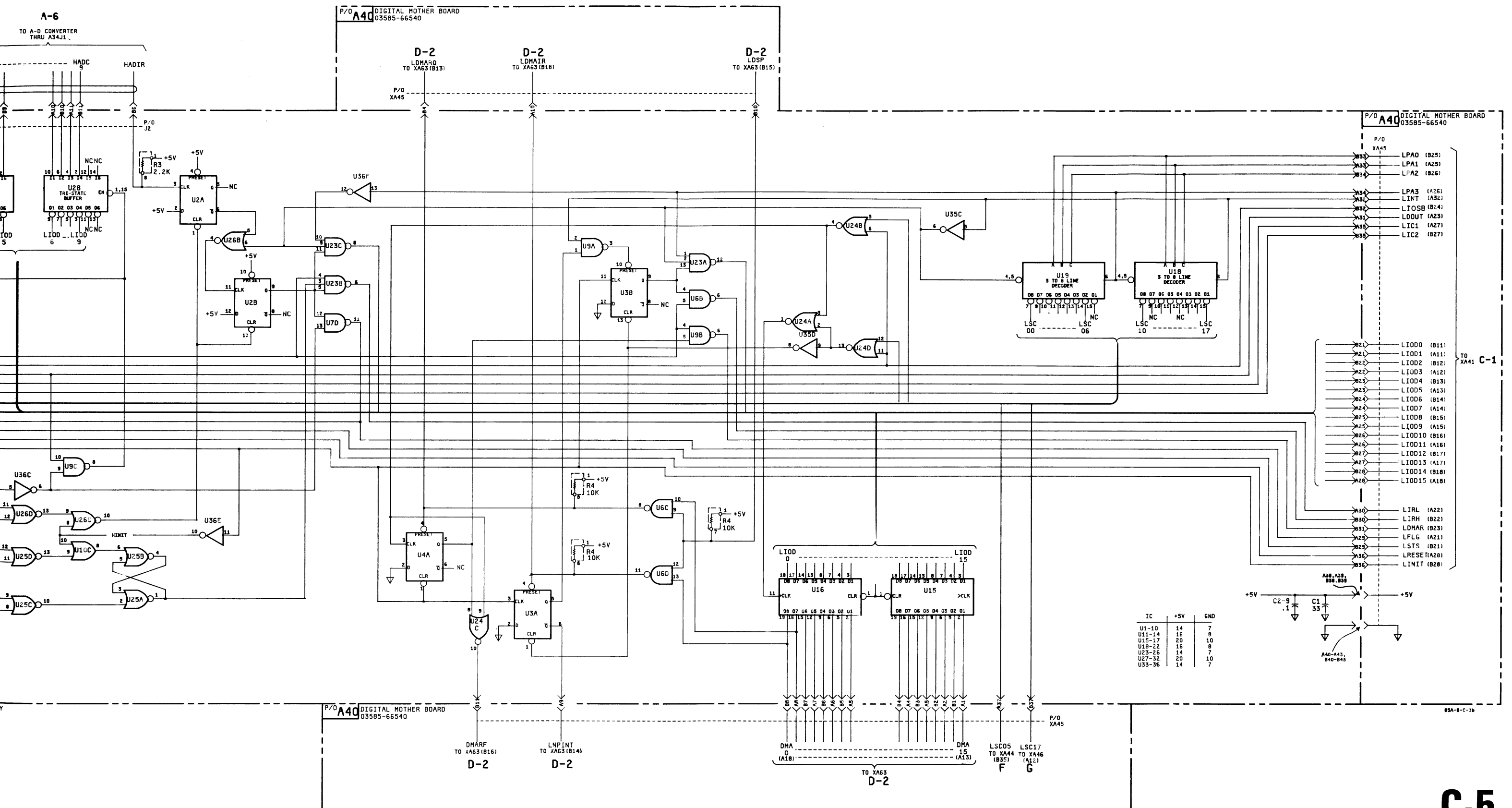


A45  
03585-66545

3585-B-18

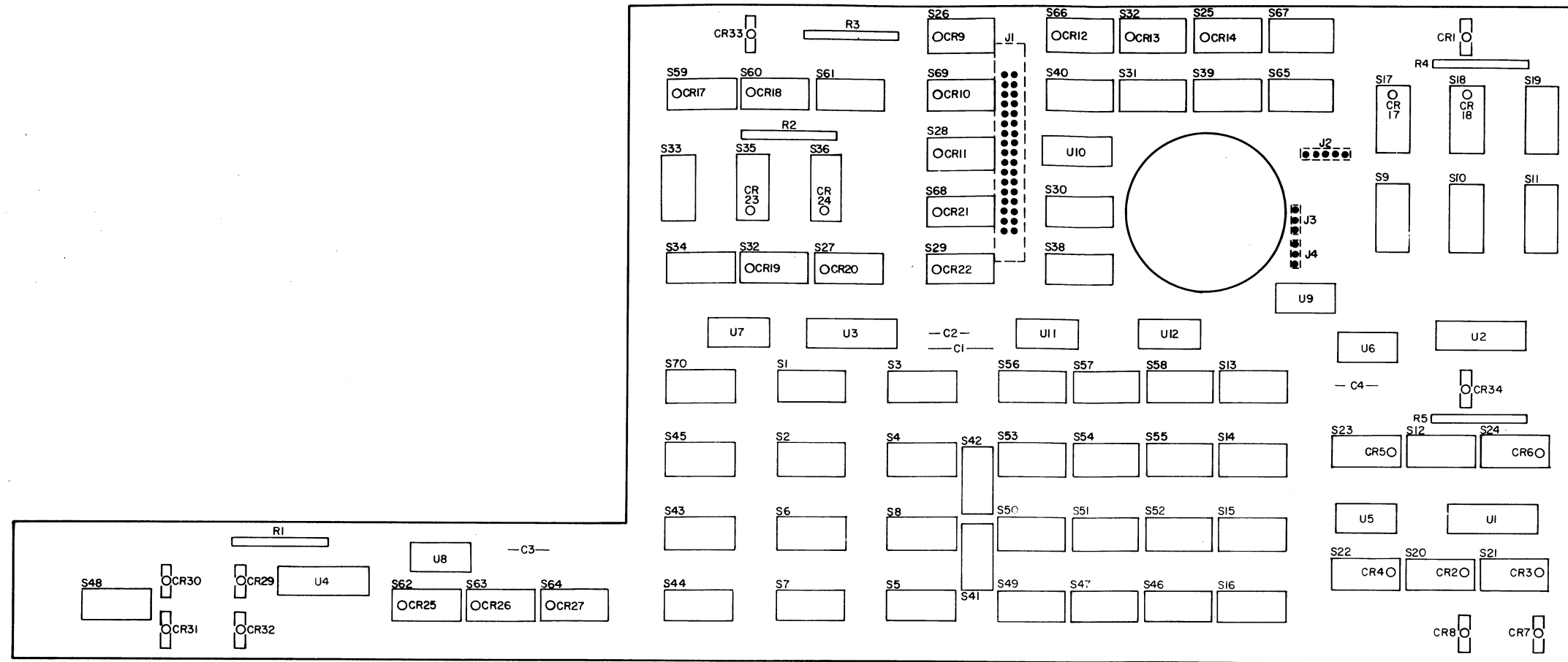


COPYRIGHT 1978 BY HEWLETT-PACKARD COMPANY

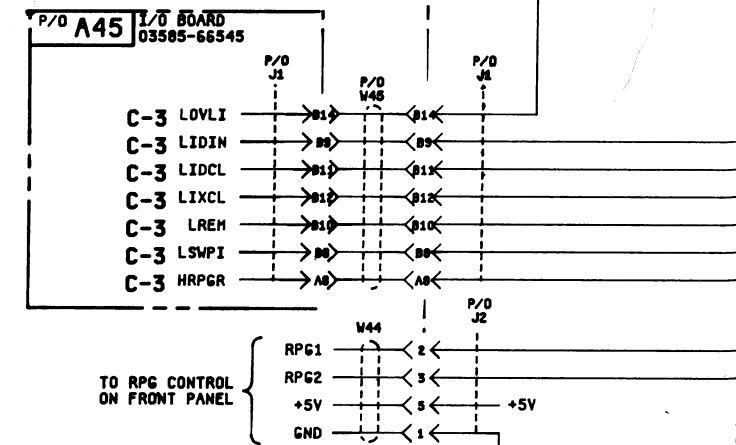
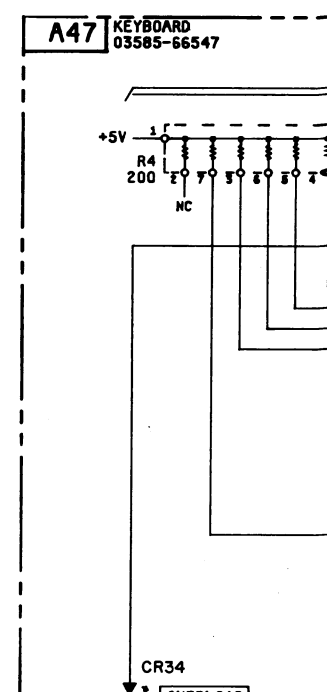


# C-5

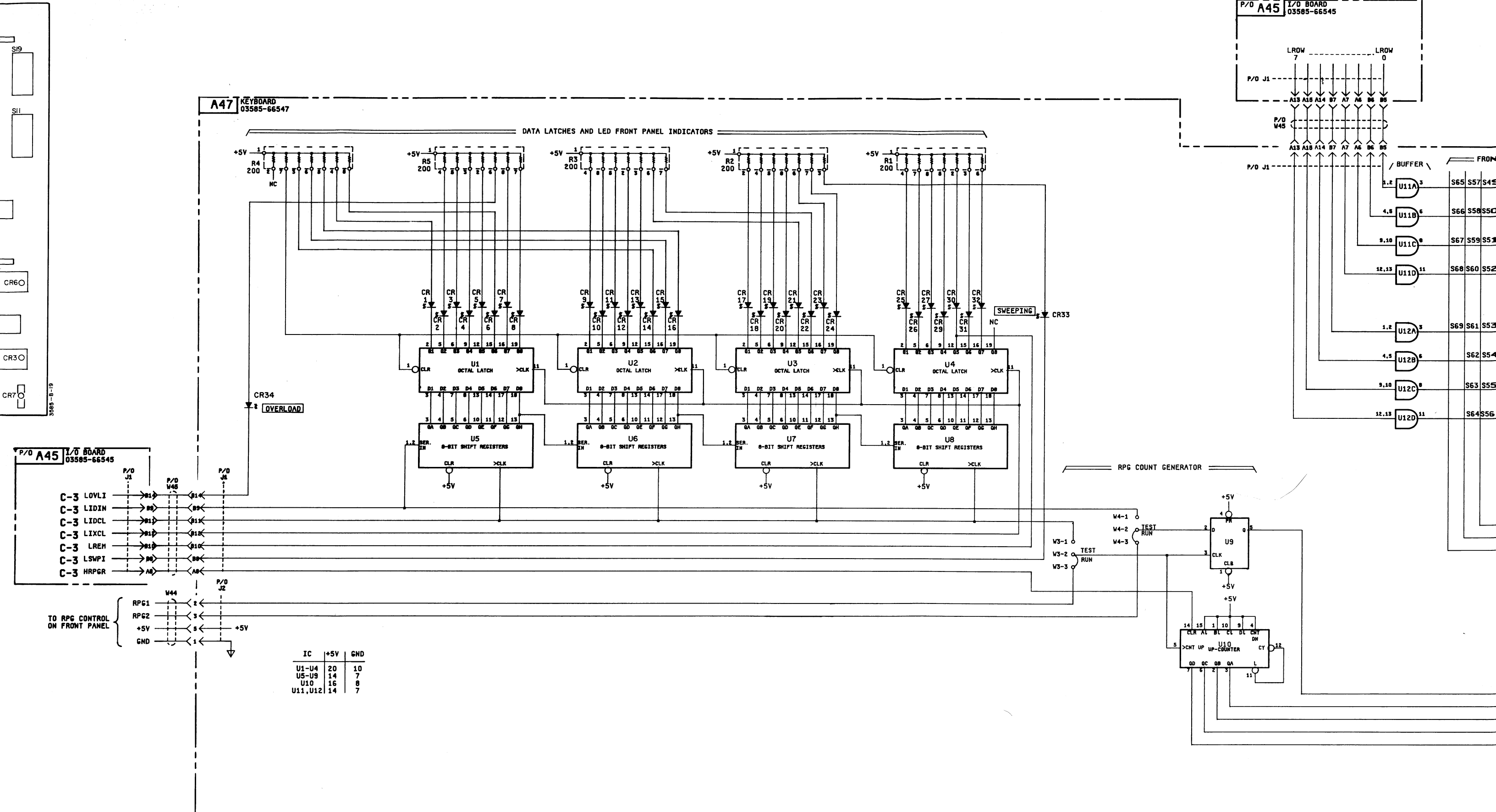
Figure 10-26. I/O Board (66545)  
10-57/10-58



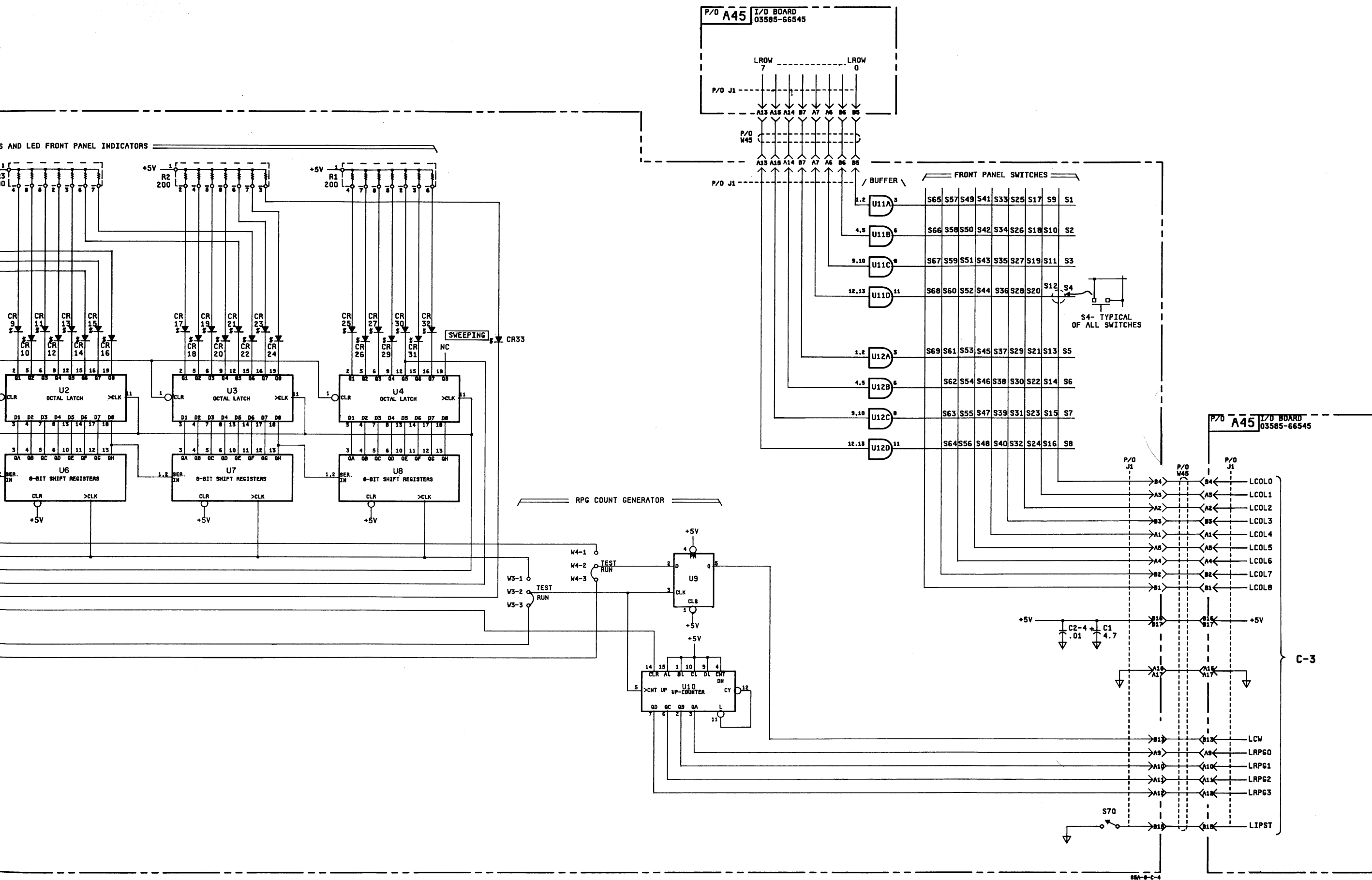
A47  
03585-66547



IC	+5V
U1-U4	20
U5-U9	14
U10	16
U11, U12	14



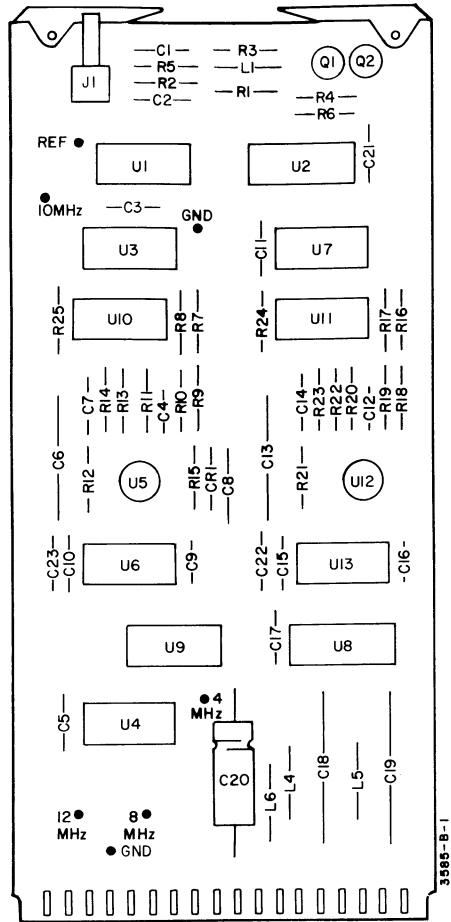
IC	+5V	GND
U1-U4	20	10
U5-U8	14	7
U10	16	8
U11, U12	14	7



**C-6**

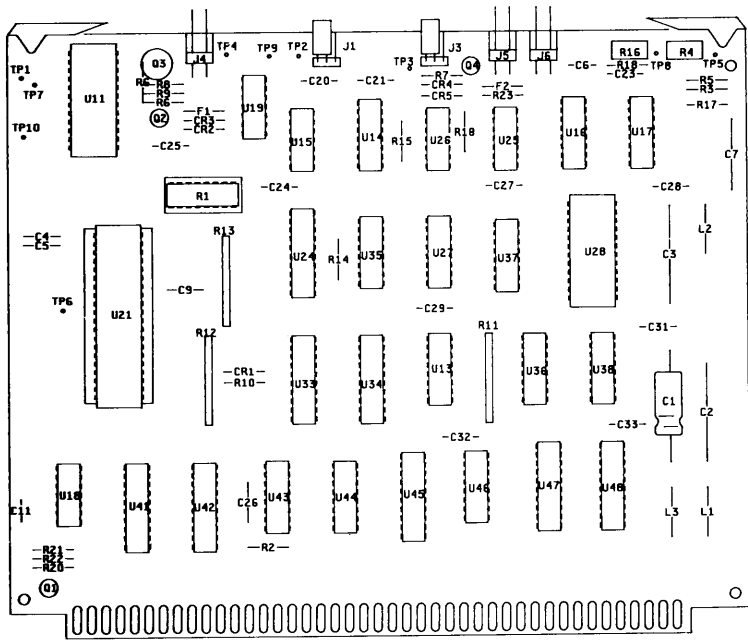
Figure 10-27. Keyboard (A47)  
10-59/10-60





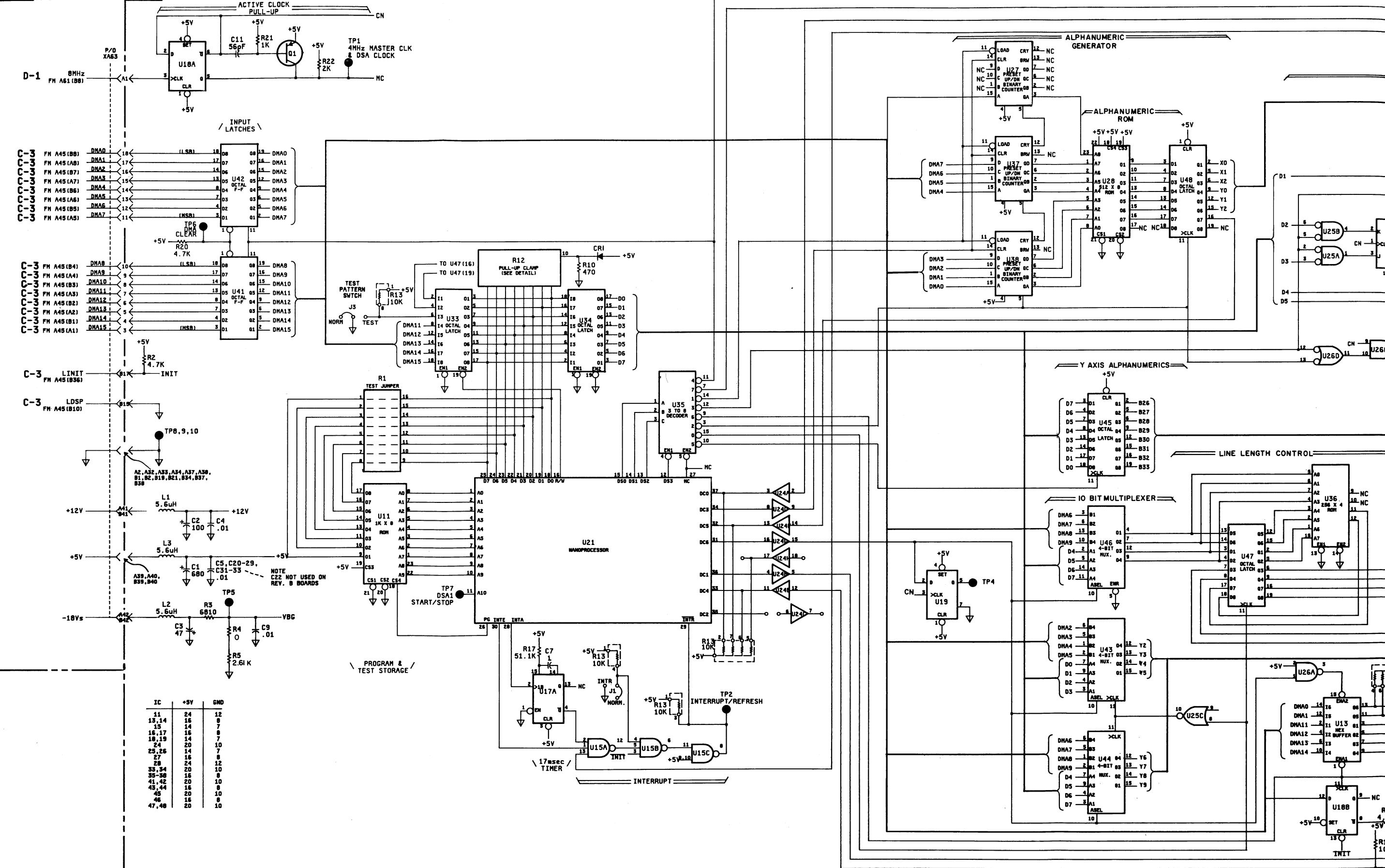
A61  
03585-66561

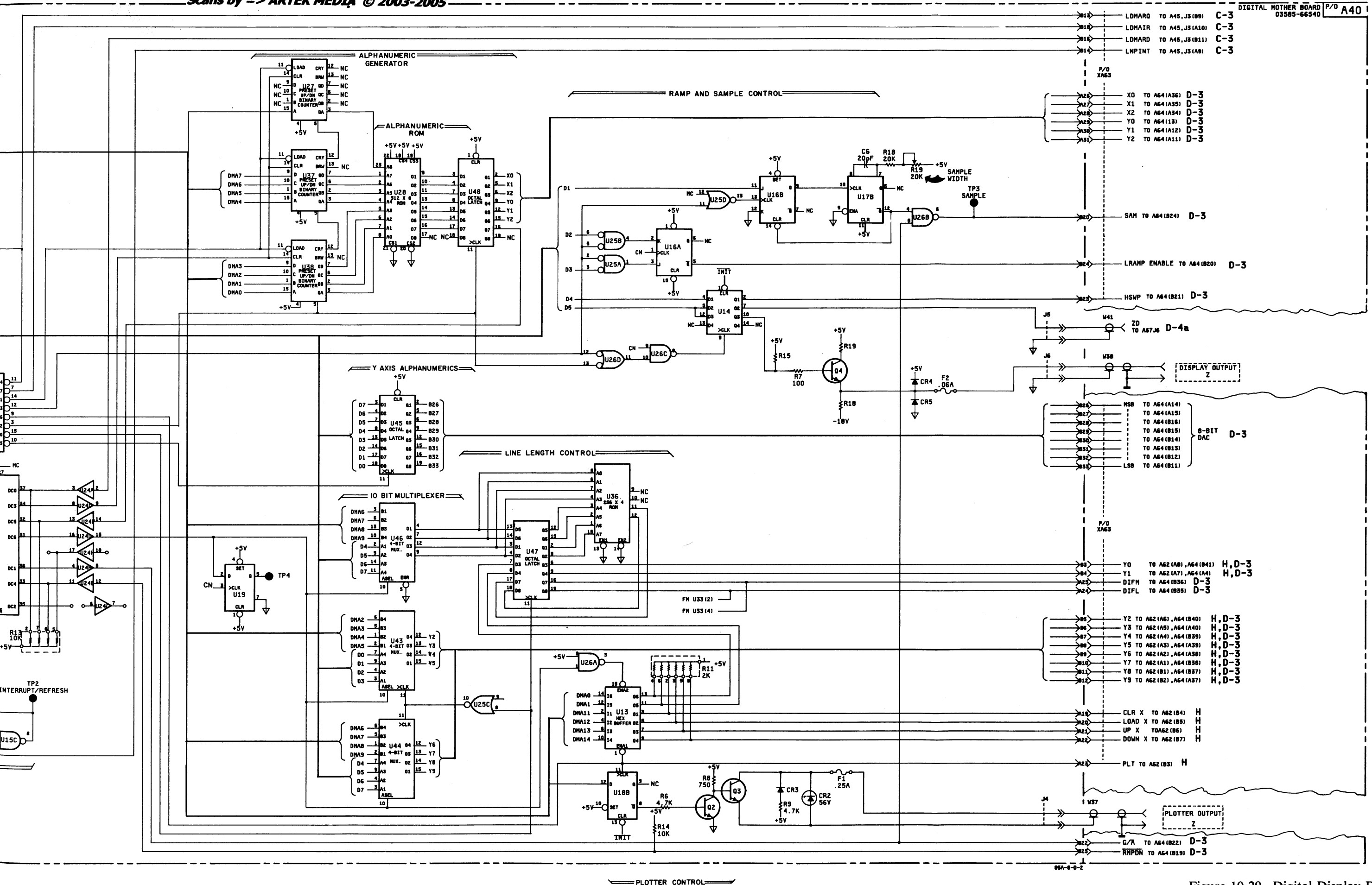




3585A-5-8

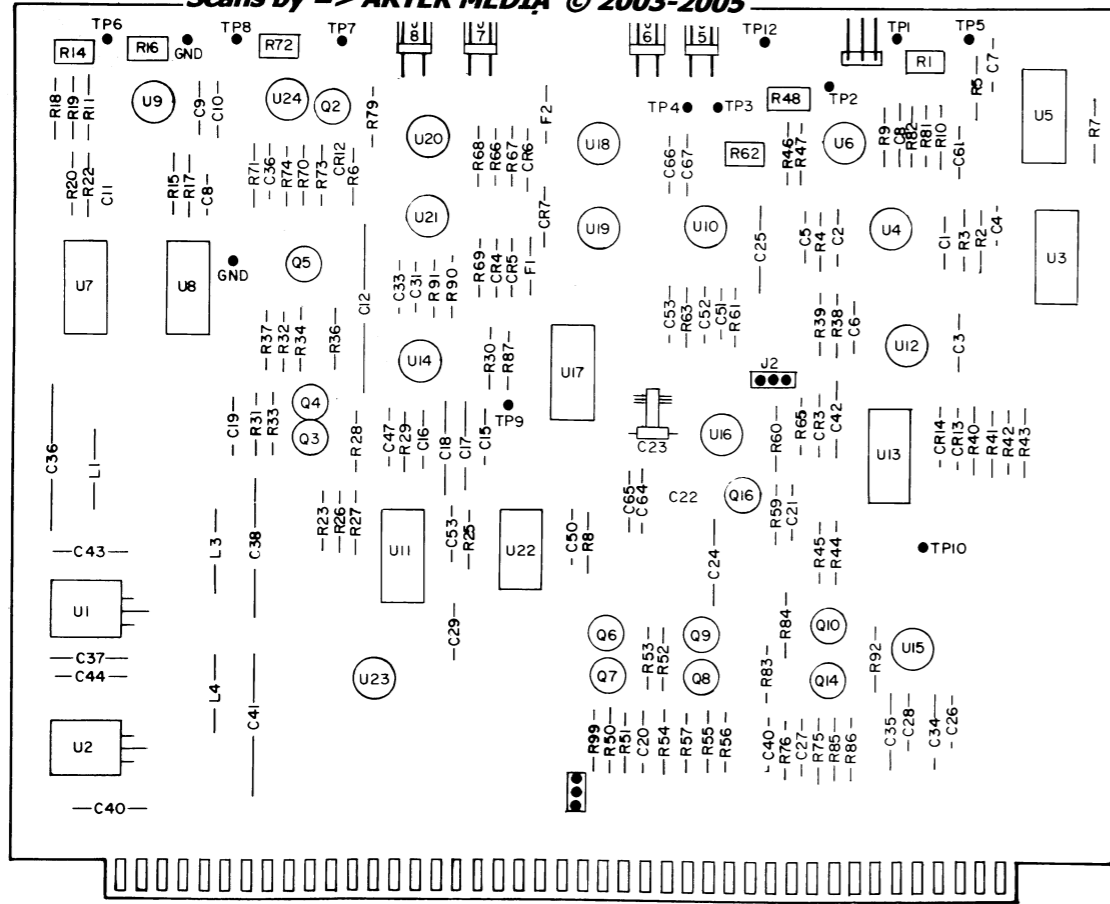
A63  
03585-66563





D-2

Figure 10-29. Digital Display Driver (66563)  
10-63/10-64

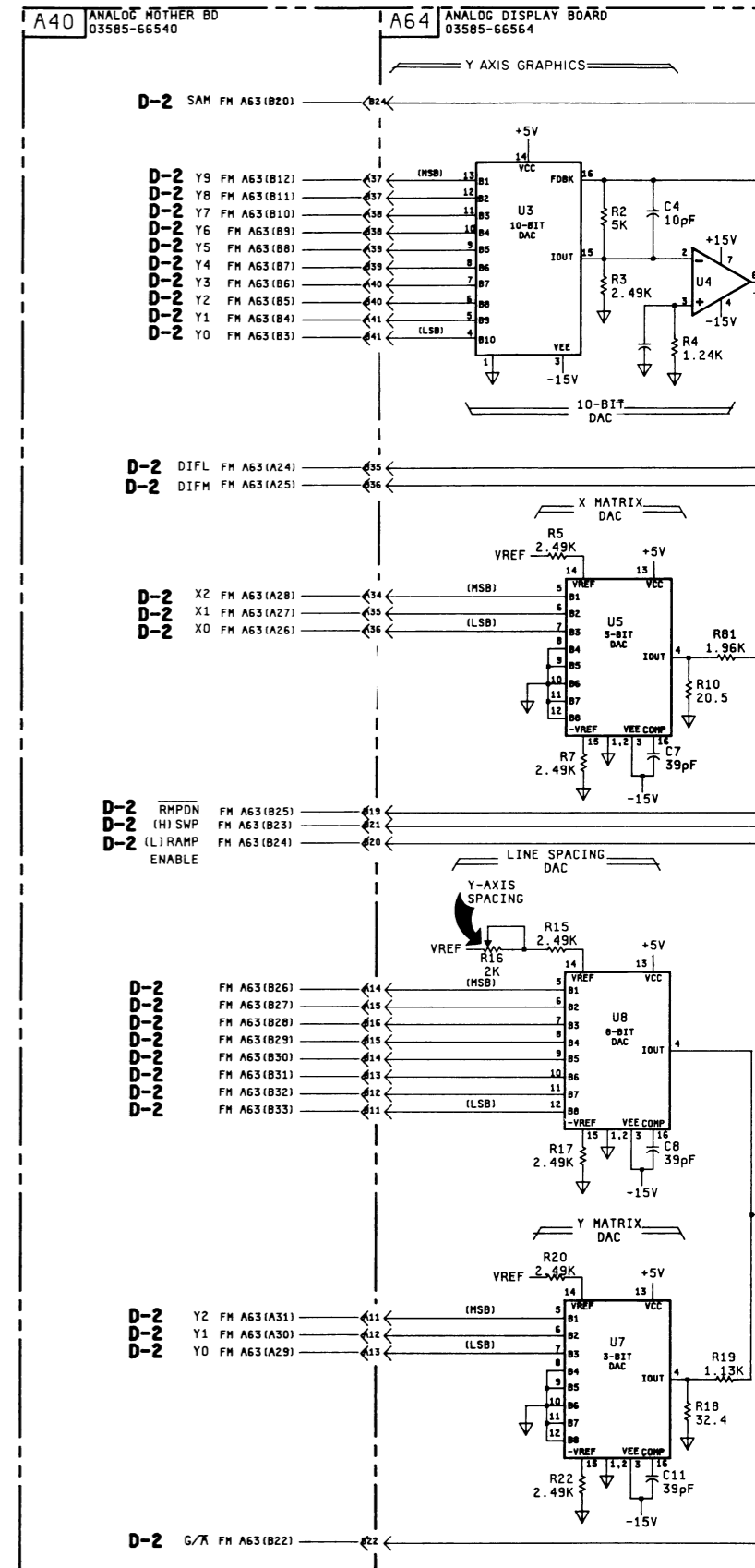
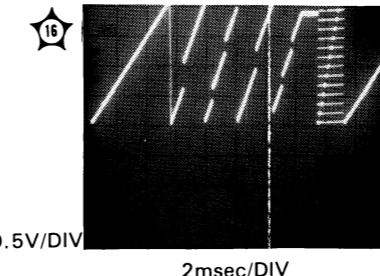
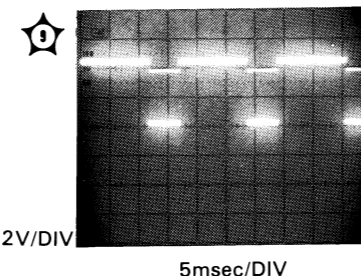
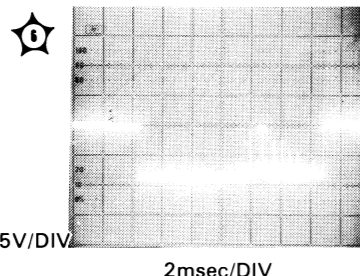
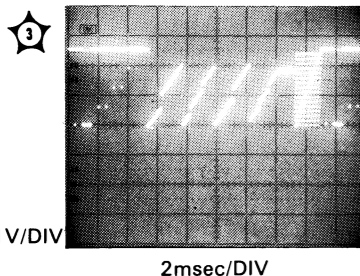
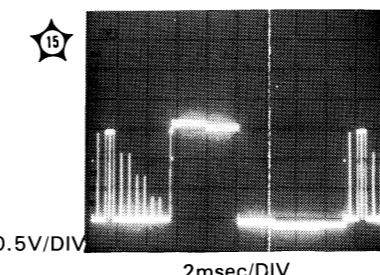
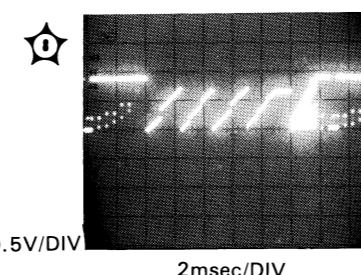
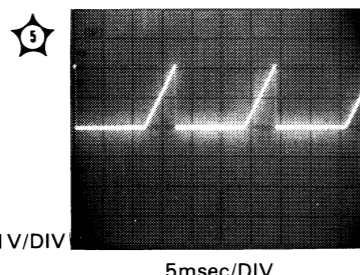
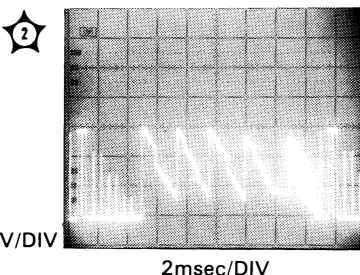
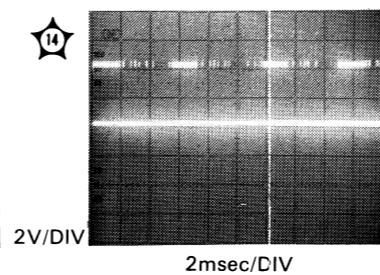
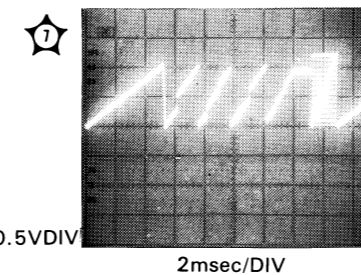
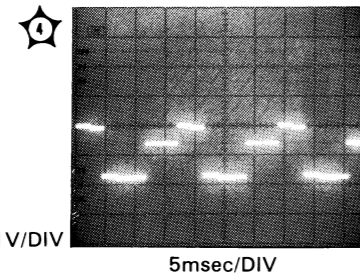
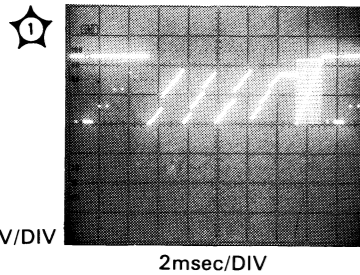
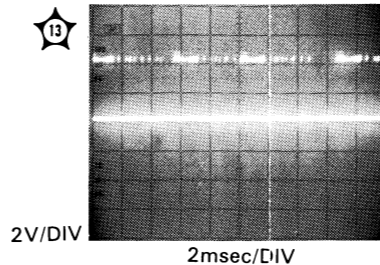
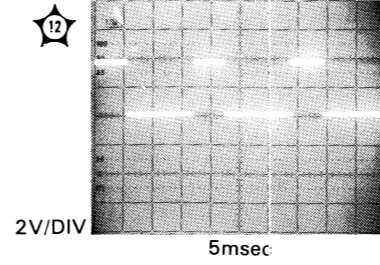
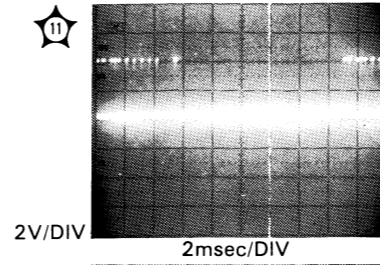
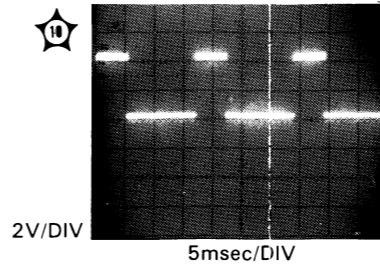


A64  
03585-66564

**NOTE**

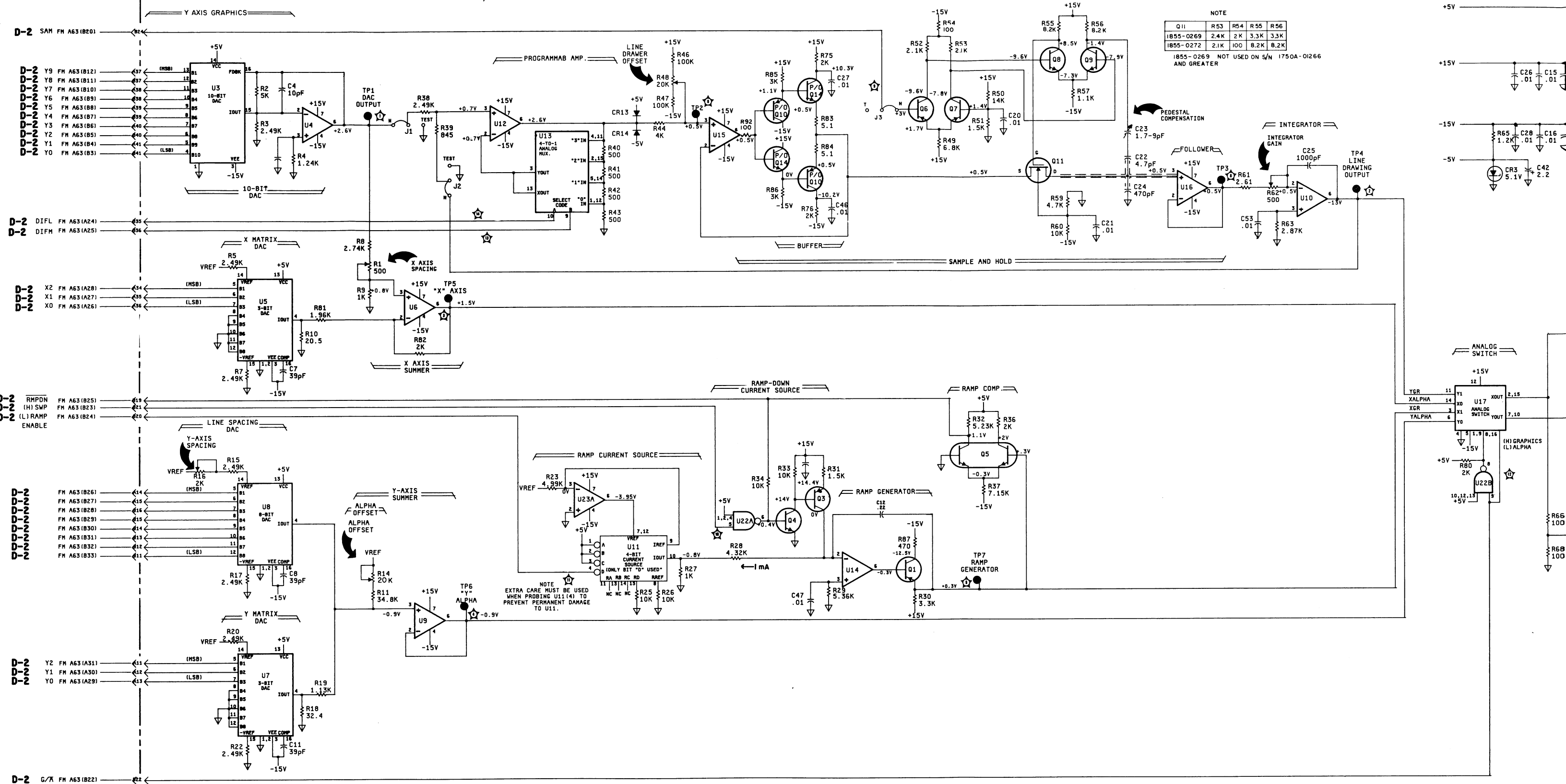
Set up conditions for waveforms 1 through 16:

1. Place A63J3 in test mode.
2. For waveform 8, place A64J2 in test mode.



LOC MOTHER BD  
85-66540

A64 ANALOG DISPLAY BOARD  
03585-66564



NOTE

Q11	R53	R54	R55	R56
1855-0269	2.4K	2K	3.3K	3.3K
1855-0272	2.1K	100	8.2K	8.2K

1855-0269 NOT USED ON S/N 1750A-01266 AND GREATER

NOTE  
EXTRA CARE MUST BE USED  
WHEN PROBING U11 (4) TO  
PREVENT PERMANENT DAMAGE  
TO U11.

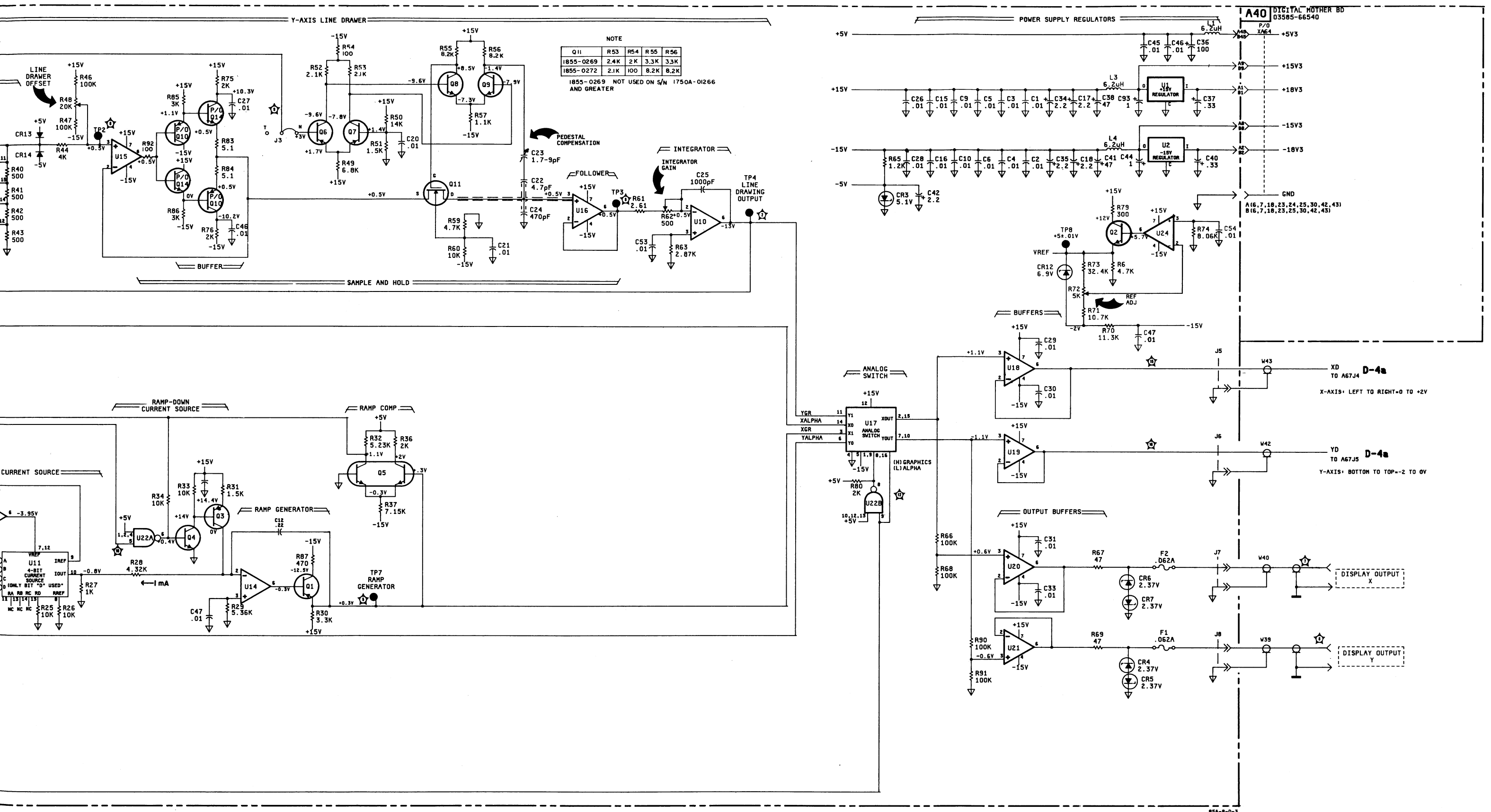
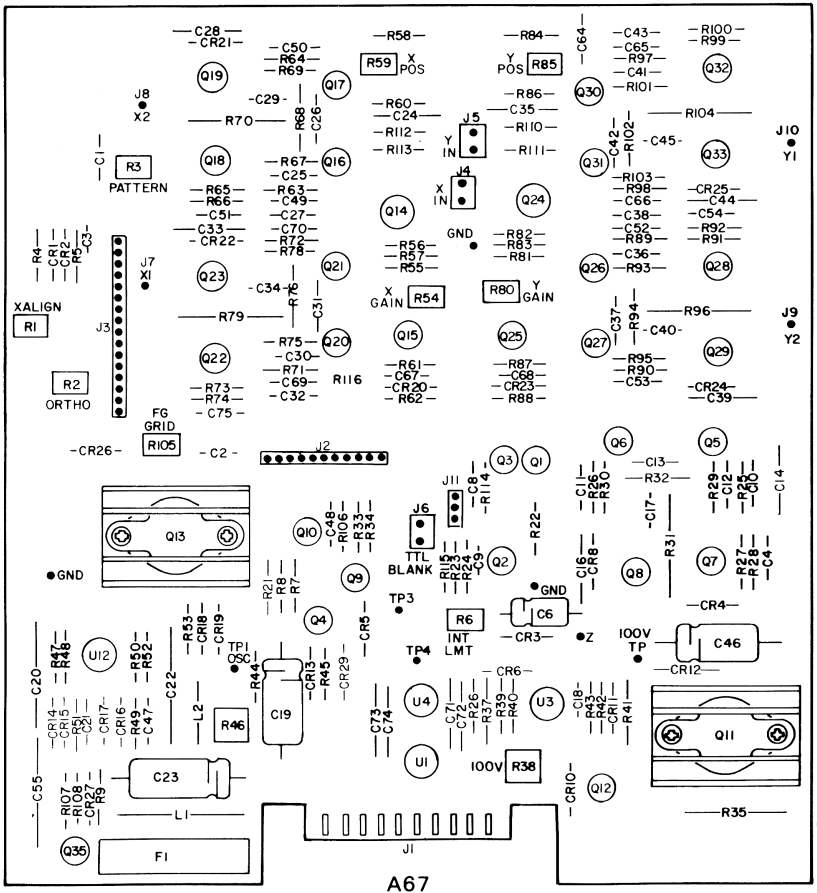


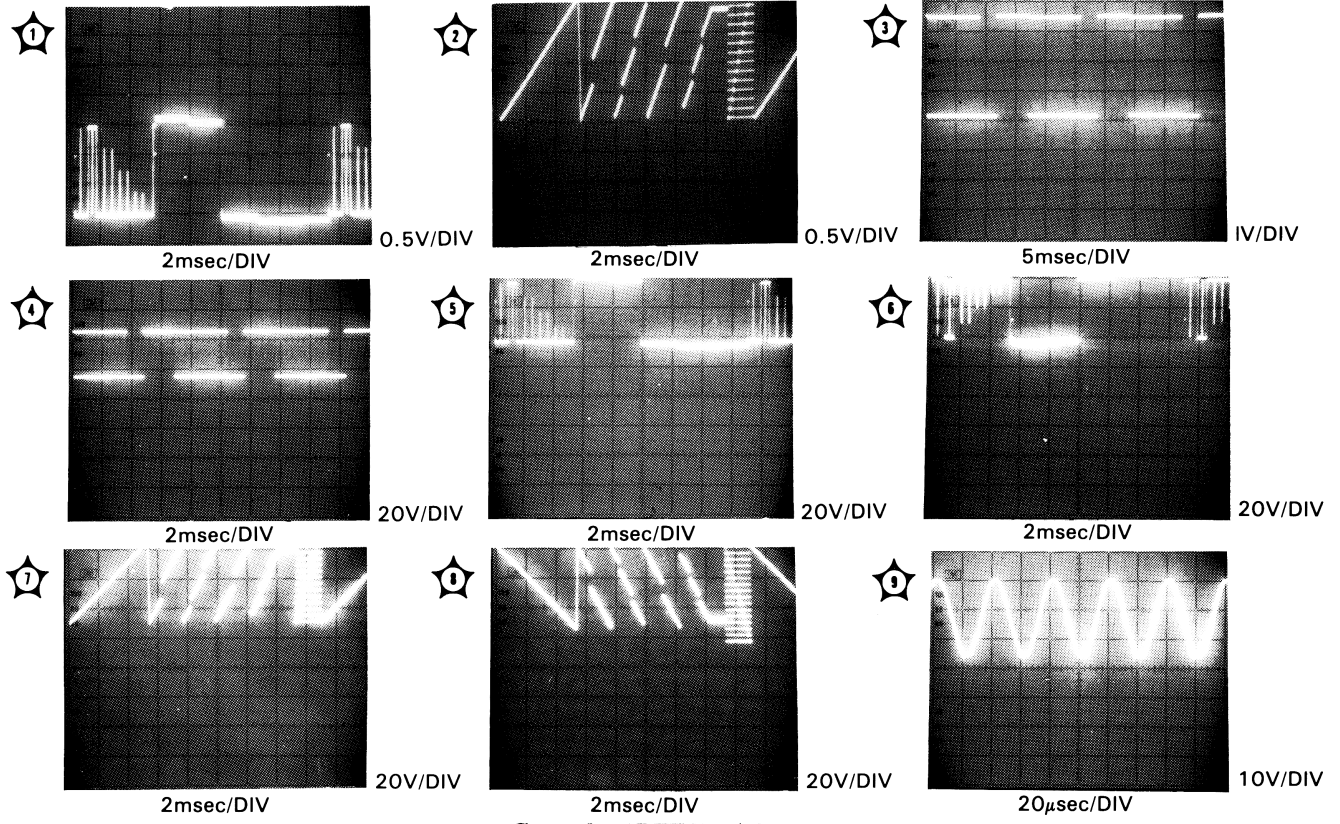
Figure 10-30. Analog Display Driver (66564)  
10-65/10-66

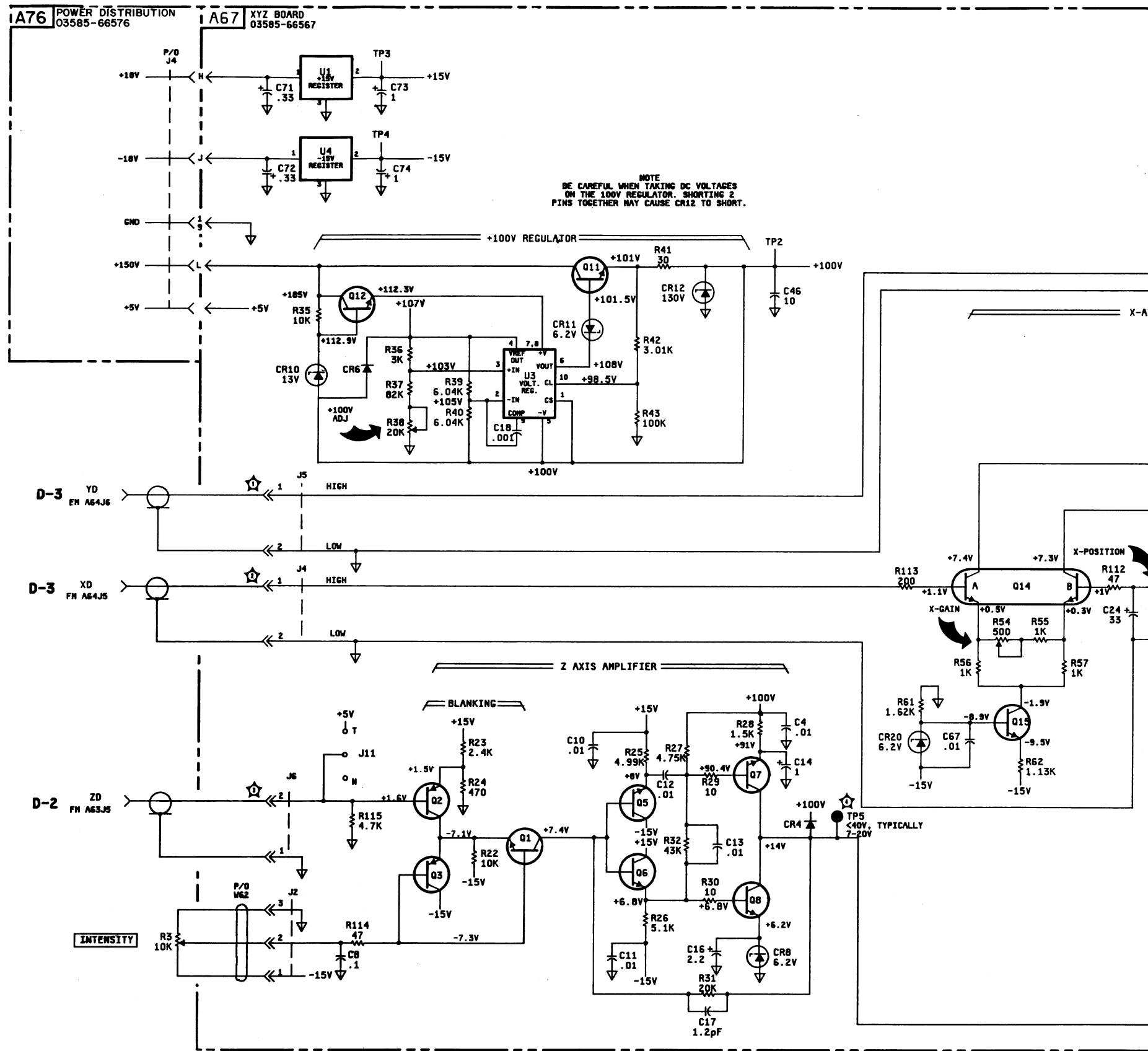




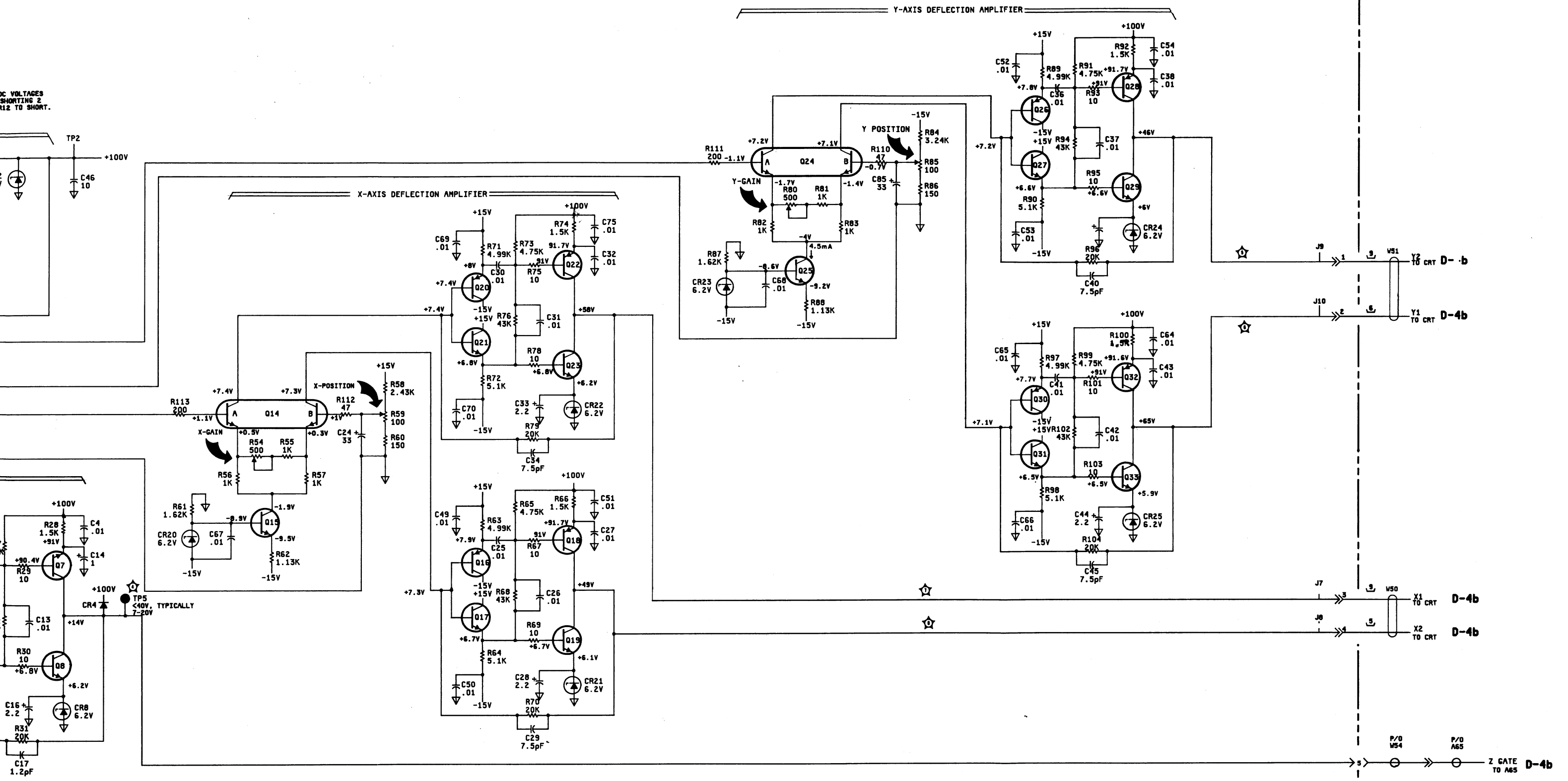
**NOTE**

To obtain the DC voltages and AC Waveforms, place A63J3 in test panel position and the front panel intensity knob at the 12:00 clock position.



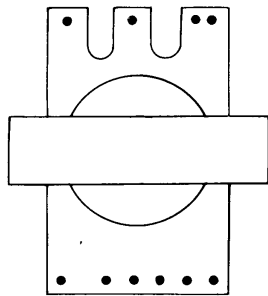


DC VOLTAGES  
SHORTING 2  
R12 TO SHORT.

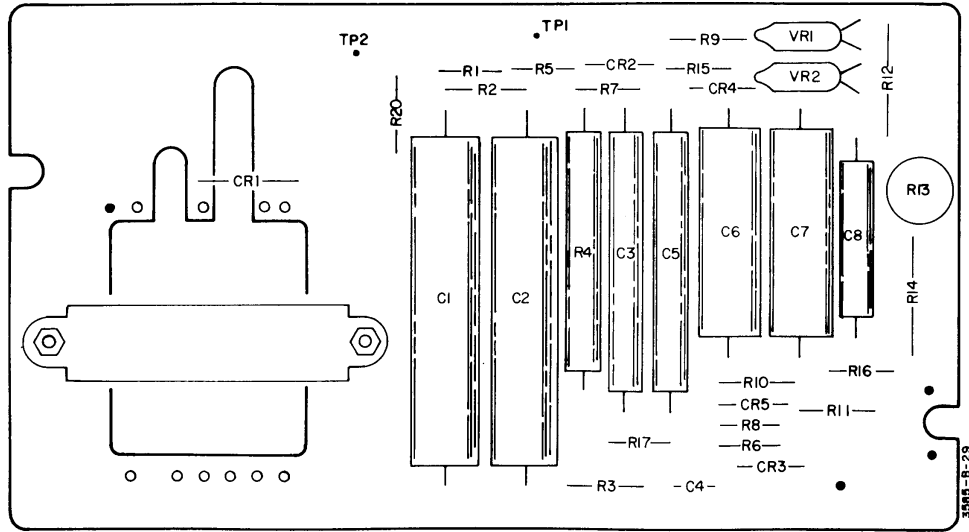


D-4a

Figure 10-31. XYZ Board (66567)  
10-67/10-68



A66  
03585/66566



A65  
03585-66565



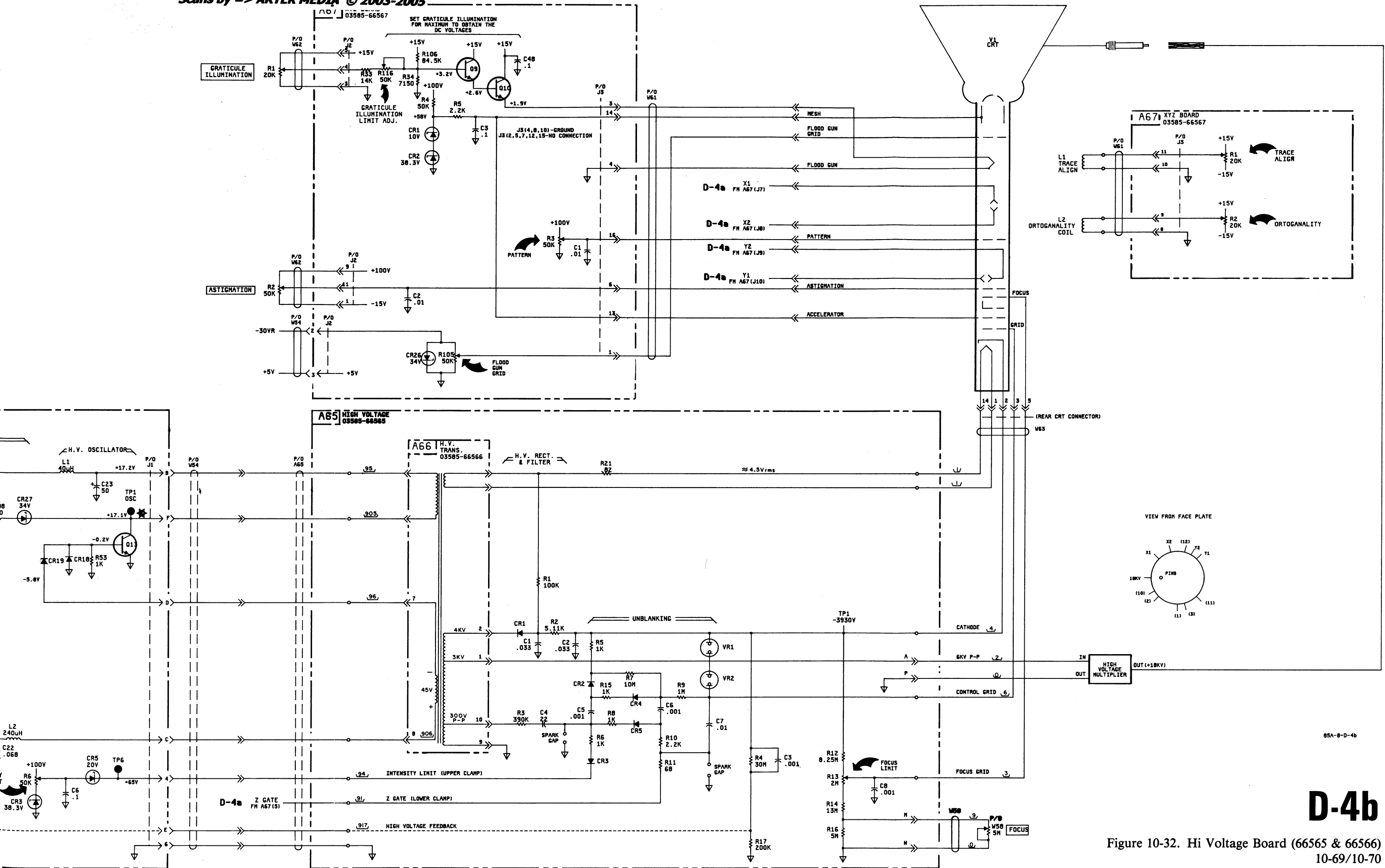


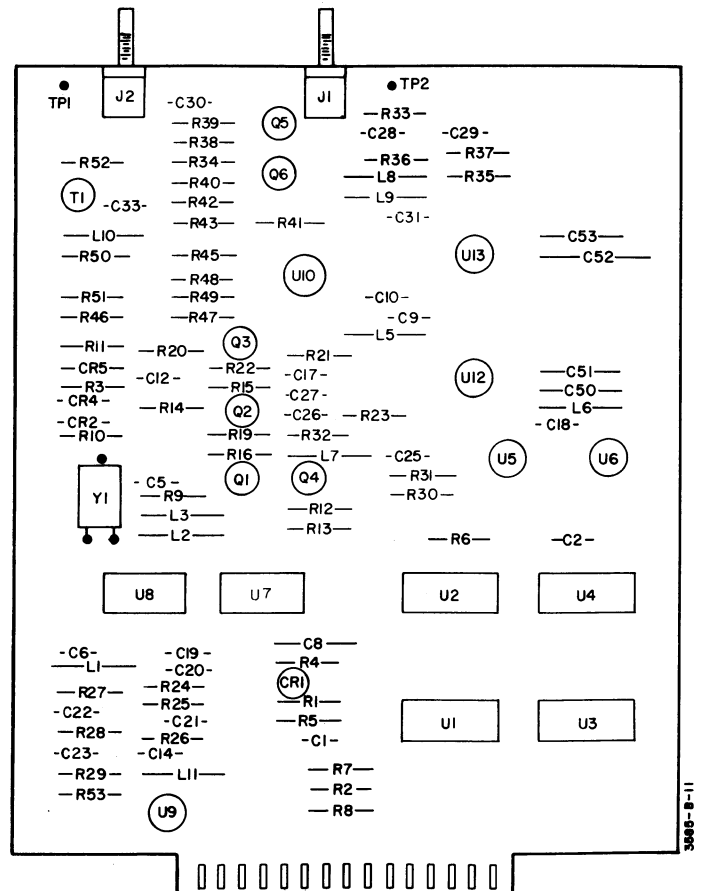
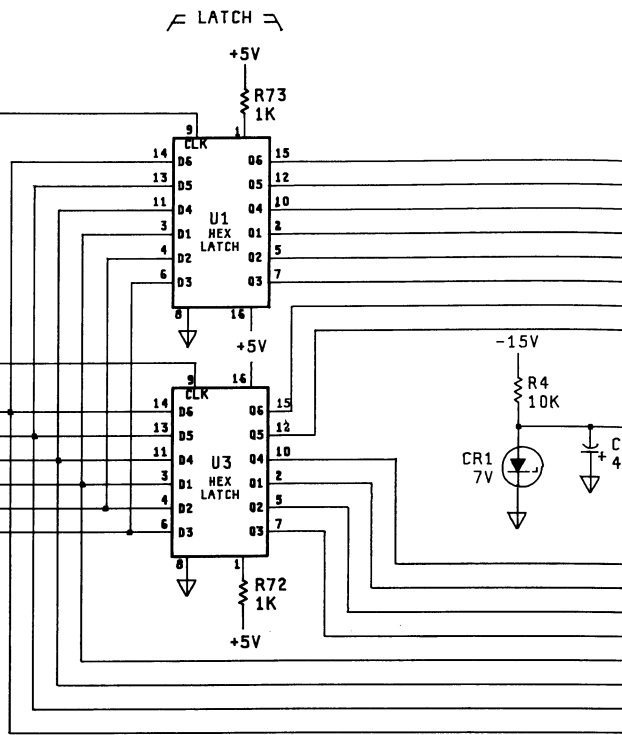
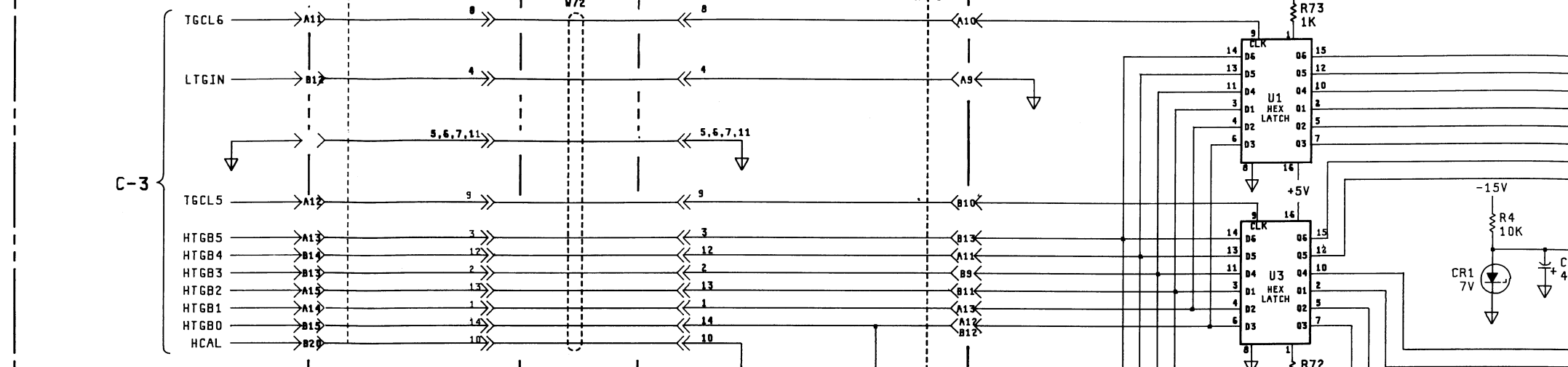
Figure 10-32. Hi Voltage Board (66565 & 66566)  
10-69/10-70

A40 DIG. MOTHER BD. 03585-66540

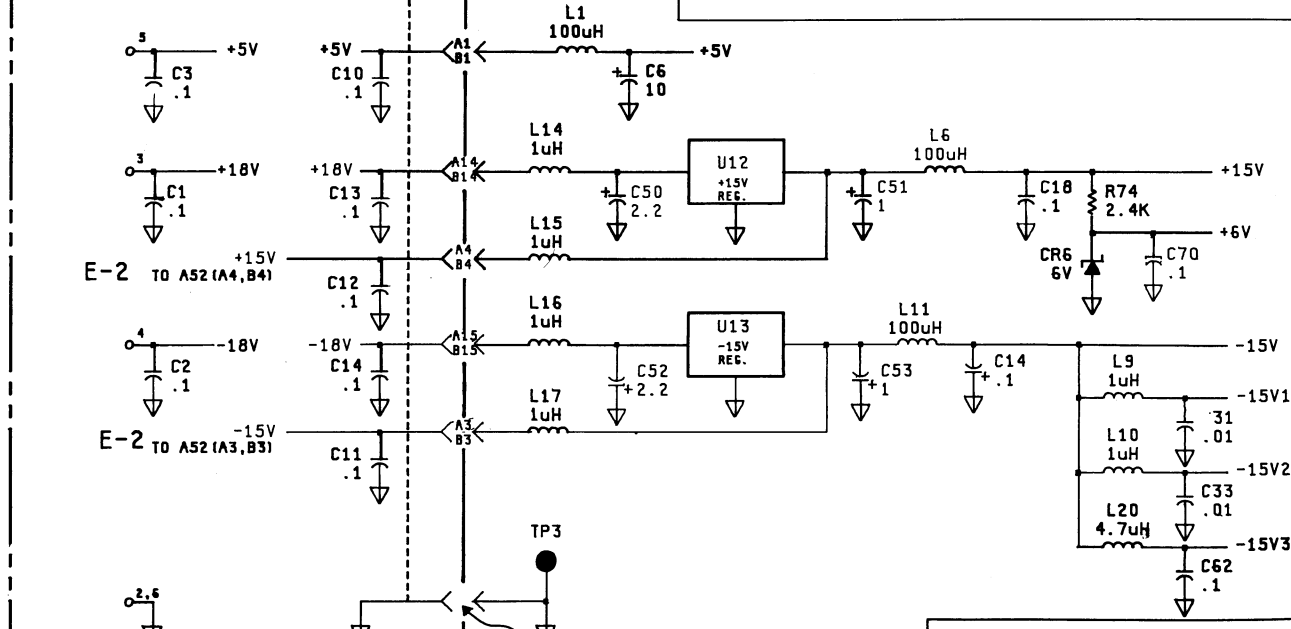
A50 TRACKING GENERATOR MOTHER BD. 03585-66550

A51 PHASE DETECTOR 03585-66551

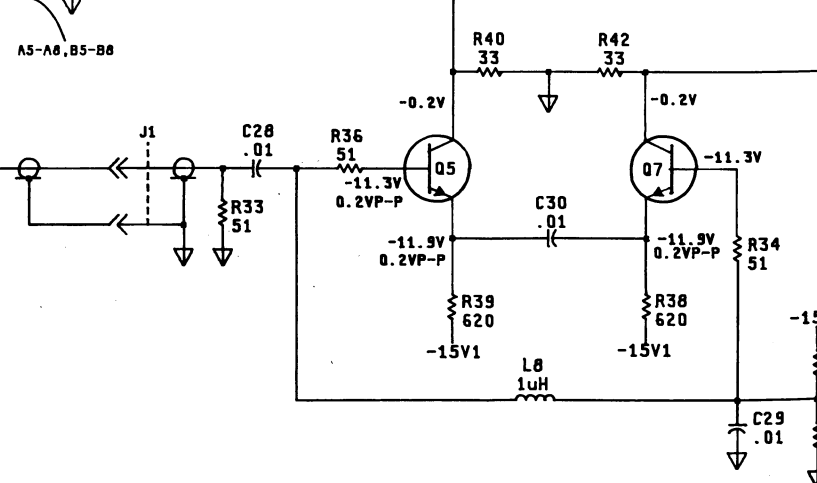
P/O A45 I/O BOARD 03585-66545



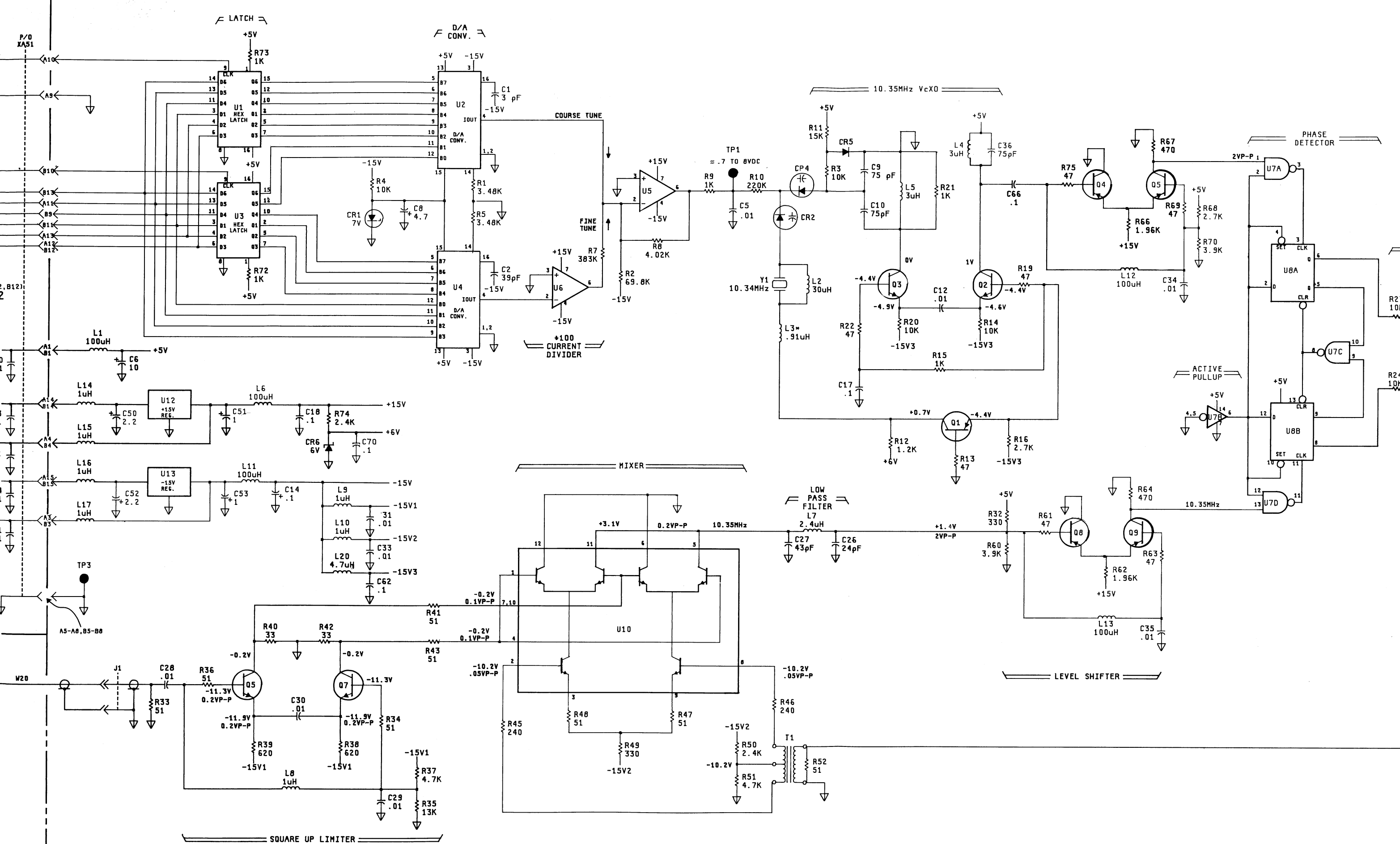
A51 03585-66551



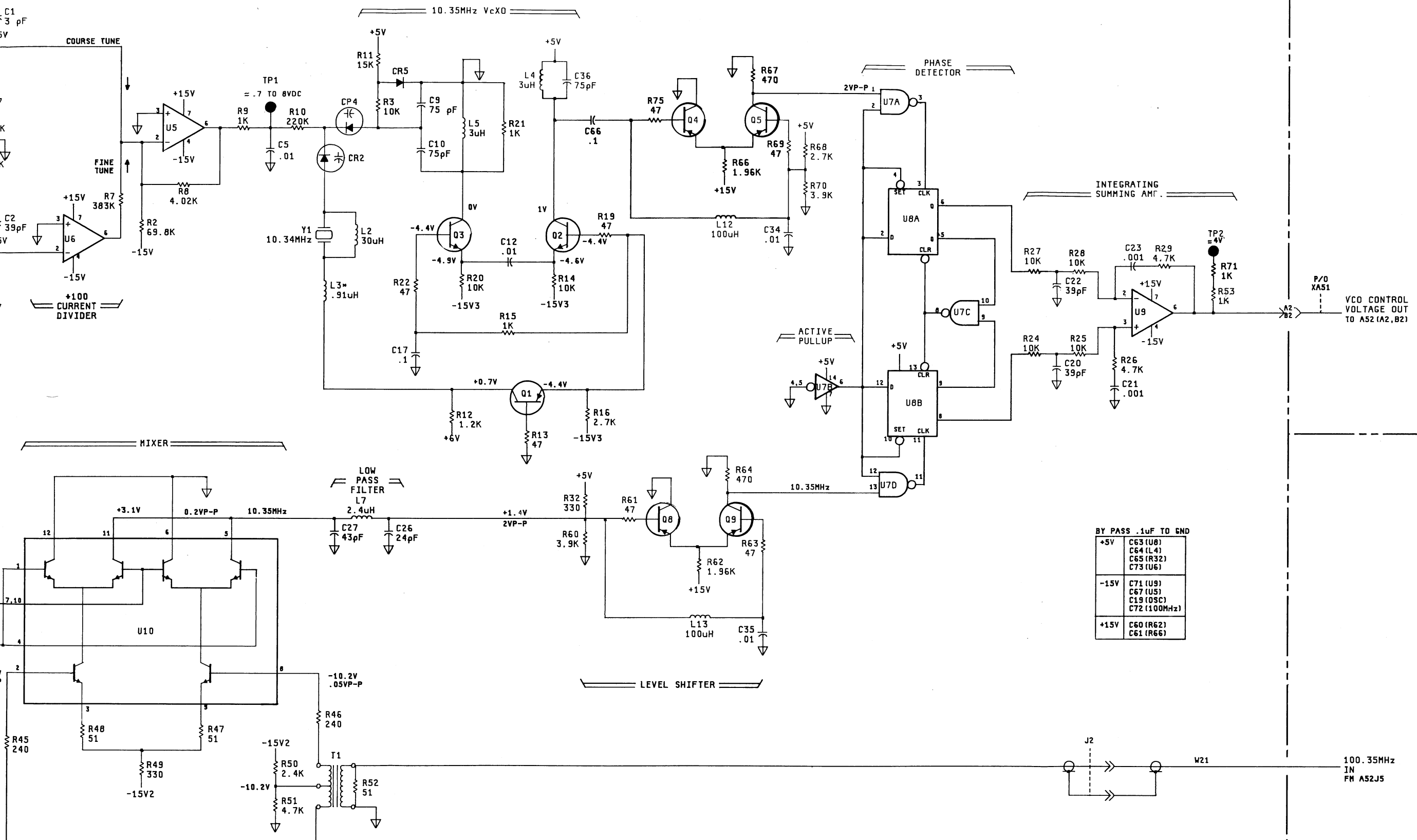
B-1a 90MHz INPUT FM A21J1



SQUARE UP LIMITER







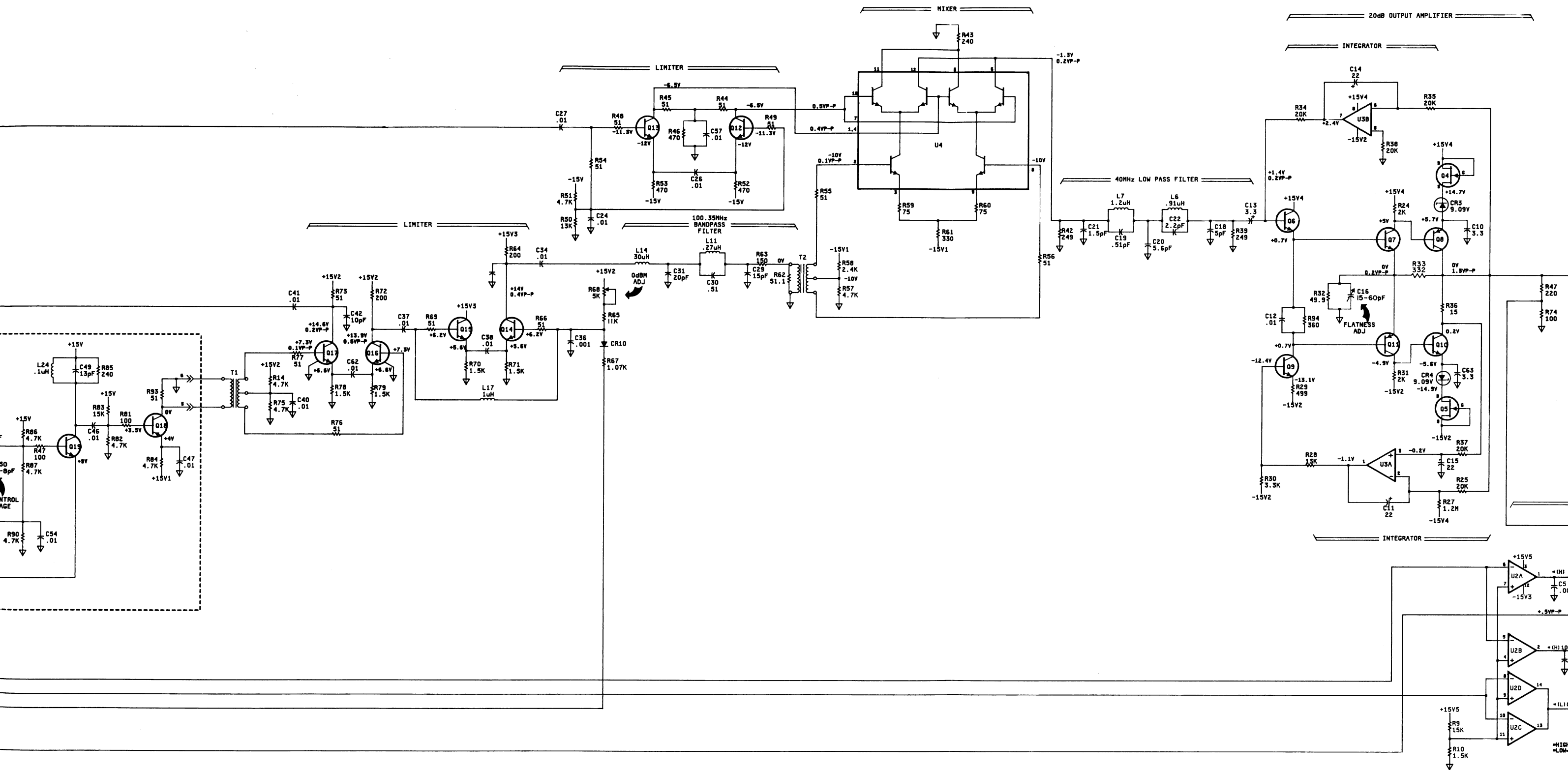
P/O XA51  
VCO CONTROL  
VOLTAGE OUT  
TO A52 (A2, B2)

100.35MHz  
IN  
FM A52J5 E-2

E-1

Figure 10-33. Phase Detector (66550 & 66551)  
10-71/10-72





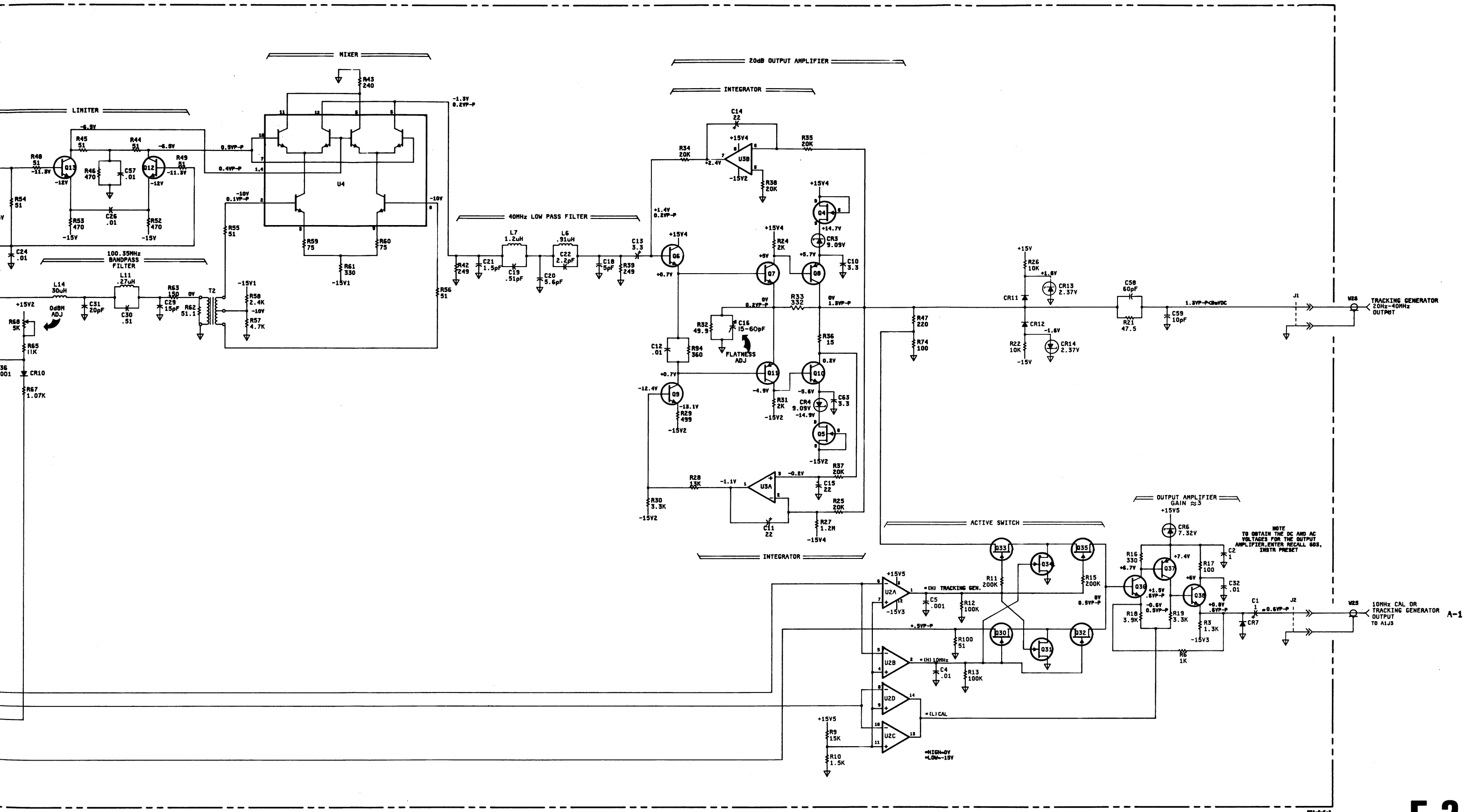
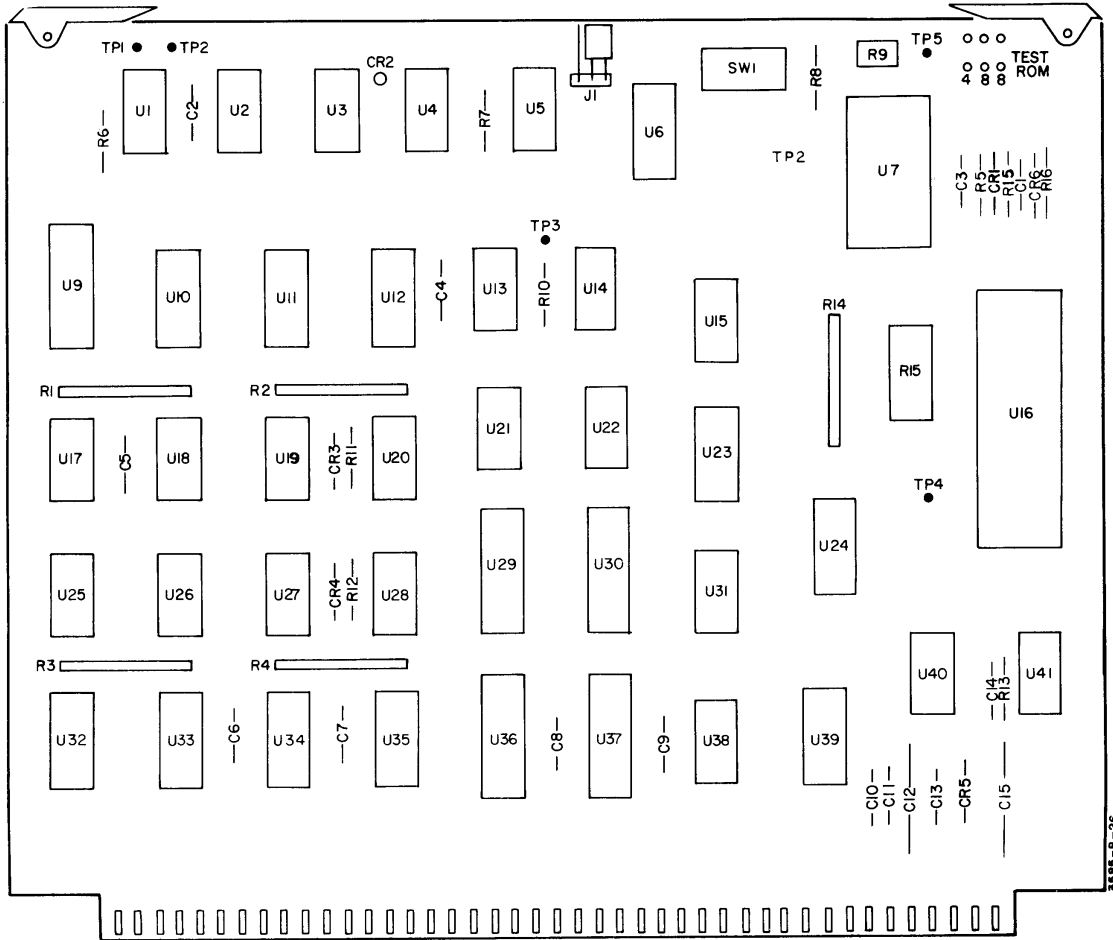
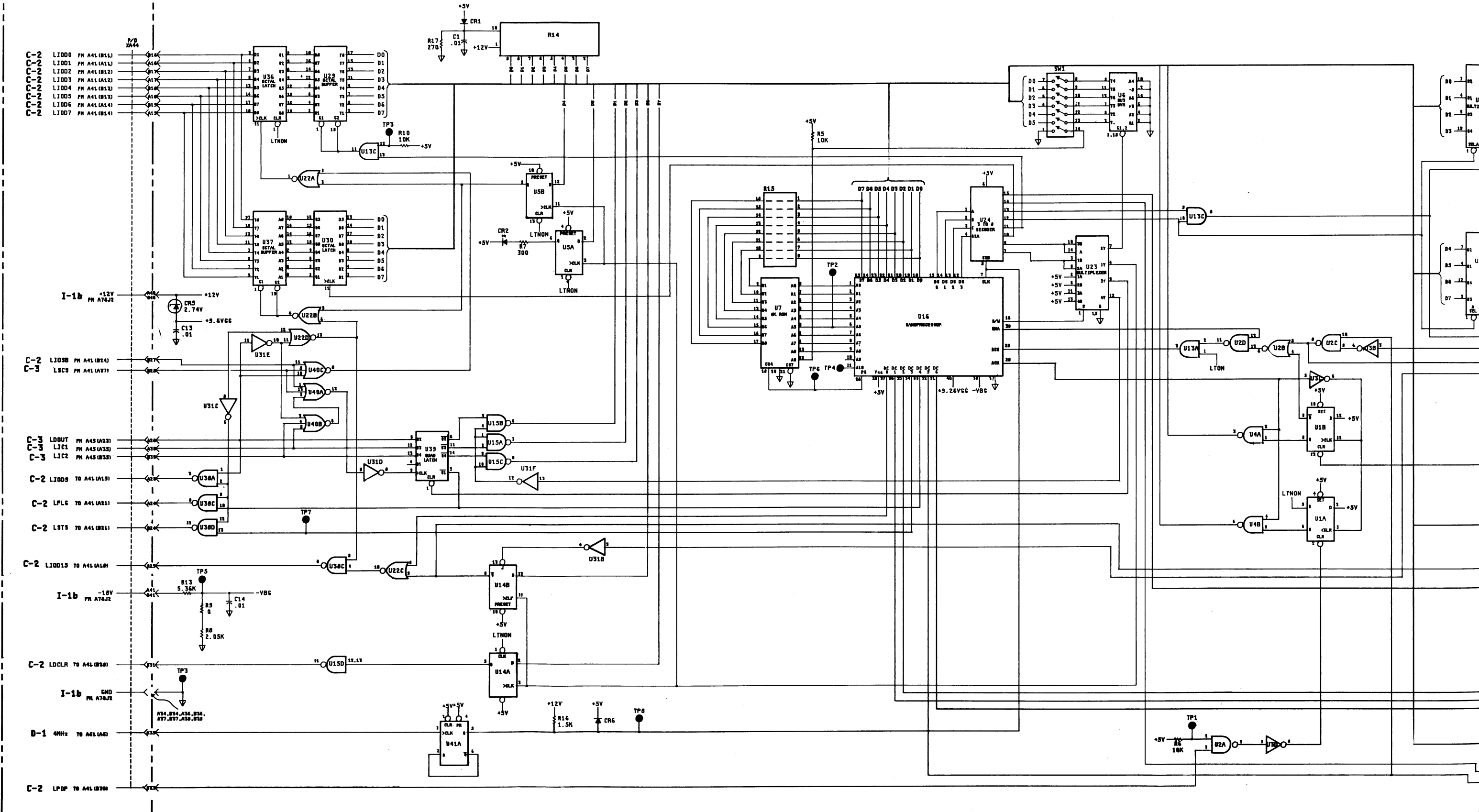
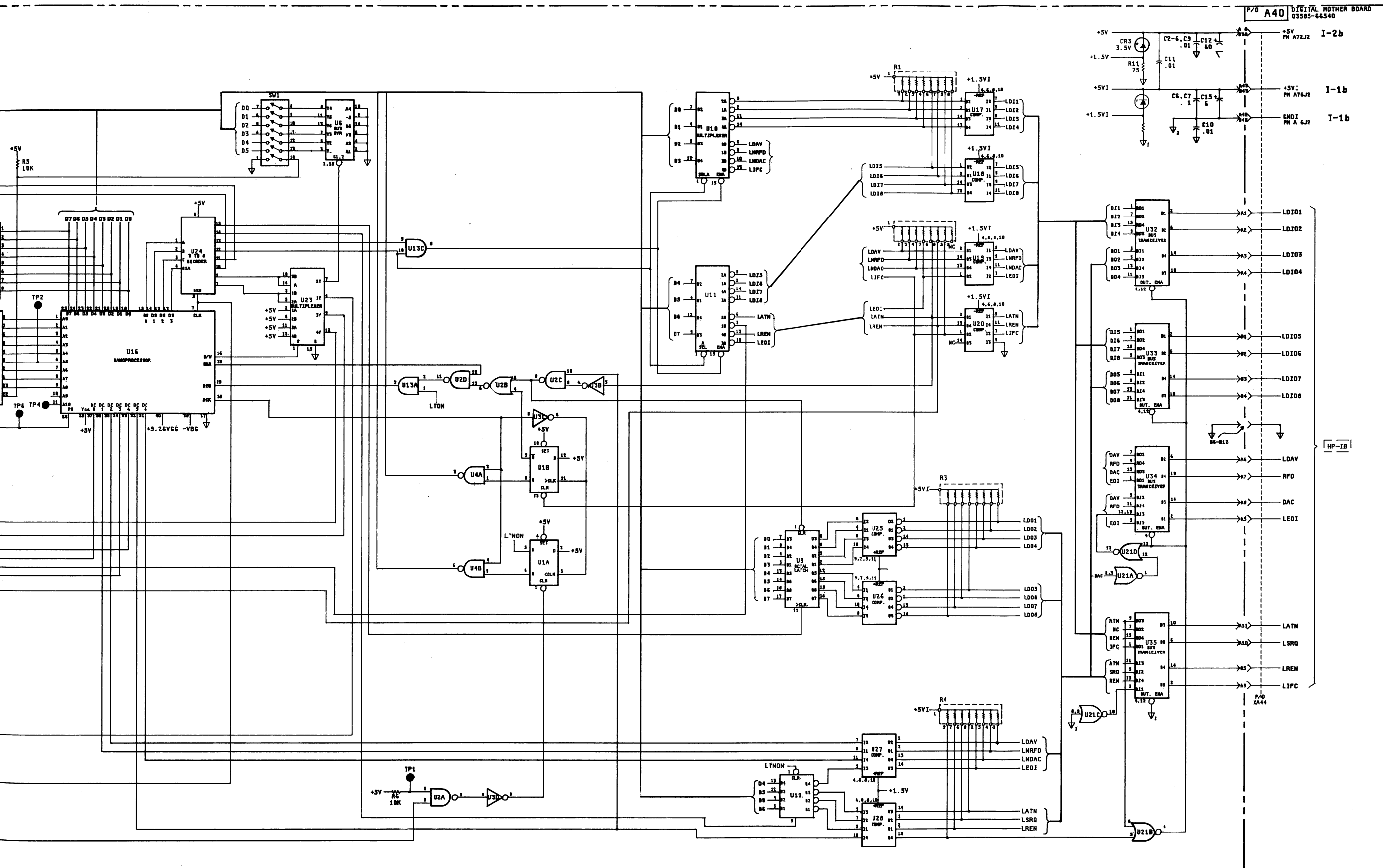


Figure 10-34. Tracking Generator (66552 & 66553) 10-73/10-74



A44  
03585-66544

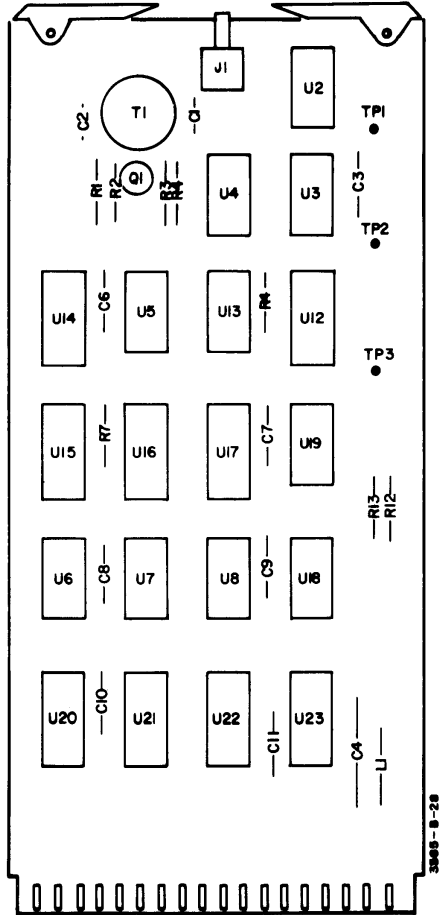




IC	+5V	+5VI	GND	GND1
1	2,4,10,14	---	7	---
2-4	14	---	7	---
5	4,10,14	---	7	---
6	16	---	2,4,6,8,10,12	---
7	18	---	10	---
9	20	---	7	---
10-12	16	---	10	---
13	14	---	7	---
14	4,10,14	---	7	---
15	14	---	7	---
16	39	---	17	---
17-19	3	---	12	---
20	3	---	10,12	---
21	---	14	7	7,8,9
22	14	---	8,15	---
23	2,4,11,13,15,16,18,19	---	8	---
24	---	3	---	12
25-28	---	---	10	---
29	20	---	10	---
30	1,20	---	9	---
31	14	---	8	---
32-34	---	---	16	4,8,12
35	---	---	---	---
36,37	---	---	10	---
38	20	---	7	---
39	4,18	---	8	---
40	14	---	7	---
41	1,4,14	---	7	---

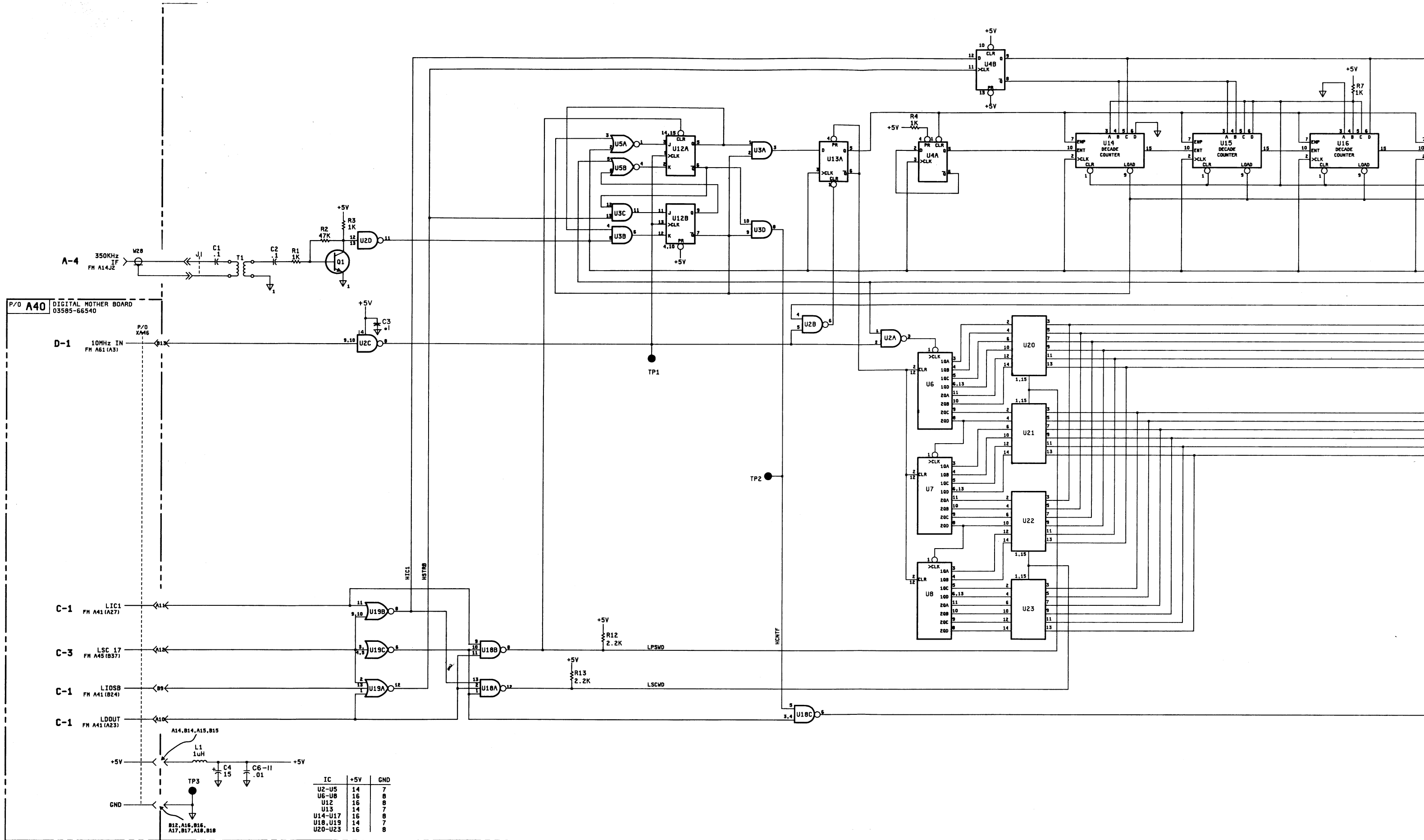
Figure 10-35. HP-IB Interface (66544) 10-75/10-76

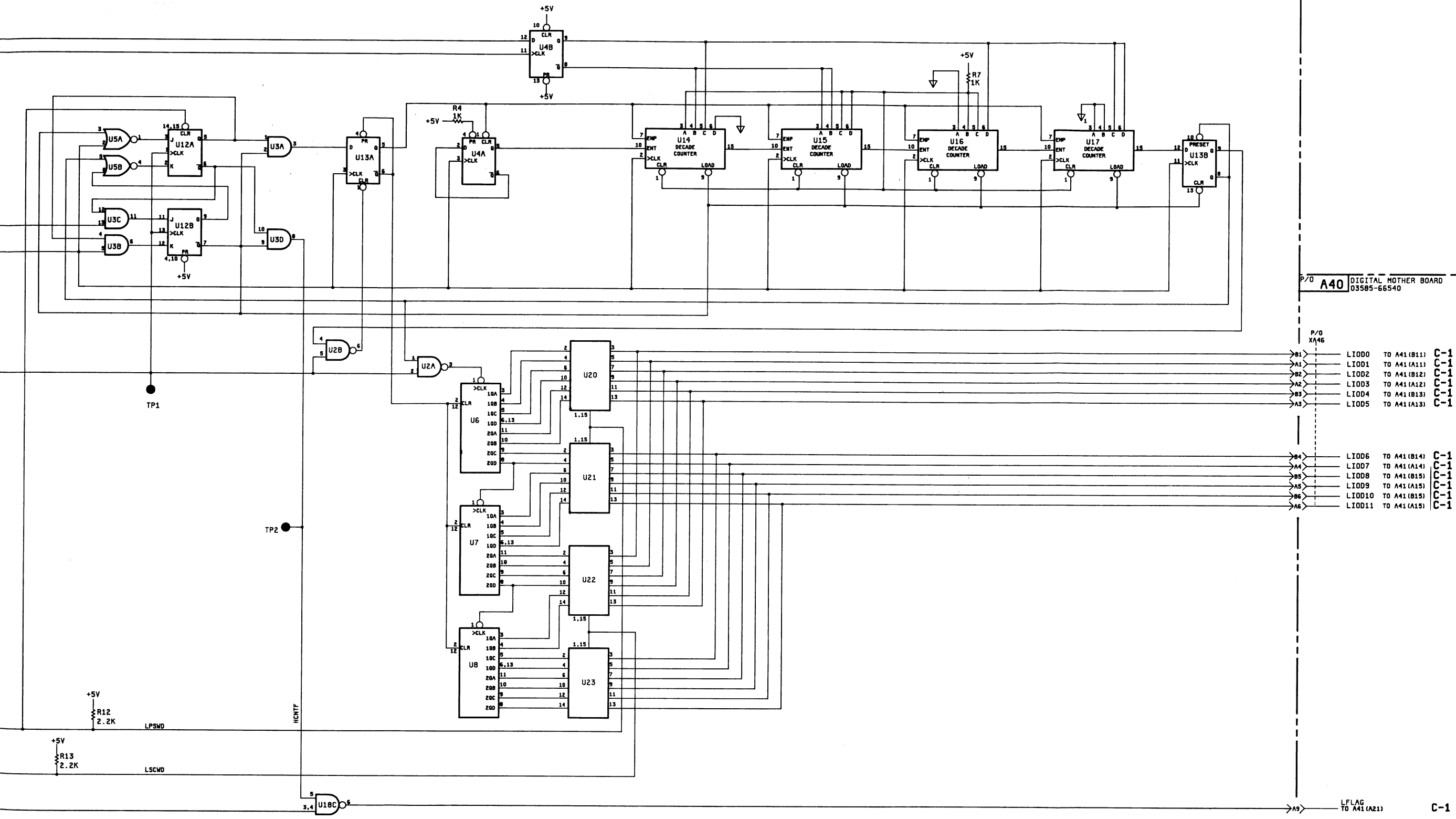
F



A46  
03585-66546







P/D A40 DIGITAL MOTHER BOARD  
03585-66540

Connector	Signal	Destination	Notes
A1	LI0D0	TO A41 (B11)	C-1
	LI0D1	TO A41 (A11)	C-1
	LI0D2	TO A41 (B12)	C-1
	LI0D3	TO A41 (A12)	C-1
	LI0D4	TO A41 (B13)	C-1
A2	LI0D5	TO A41 (A13)	C-1
	LI0D6	TO A41 (B14)	C-1
	LI0D7	TO A41 (A14)	C-1
	LI0D8	TO A41 (B15)	C-1
	LI0D9	TO A41 (A15)	C-1
	LI0D10	TO A41 (B15)	C-1
	LI0D11	TO A41 (A15)	C-1
A5	LFLAG	TO A41 (A21)	C-1

3585A-127

Figure 10-36. Counter (66546)  
10-77/10-78

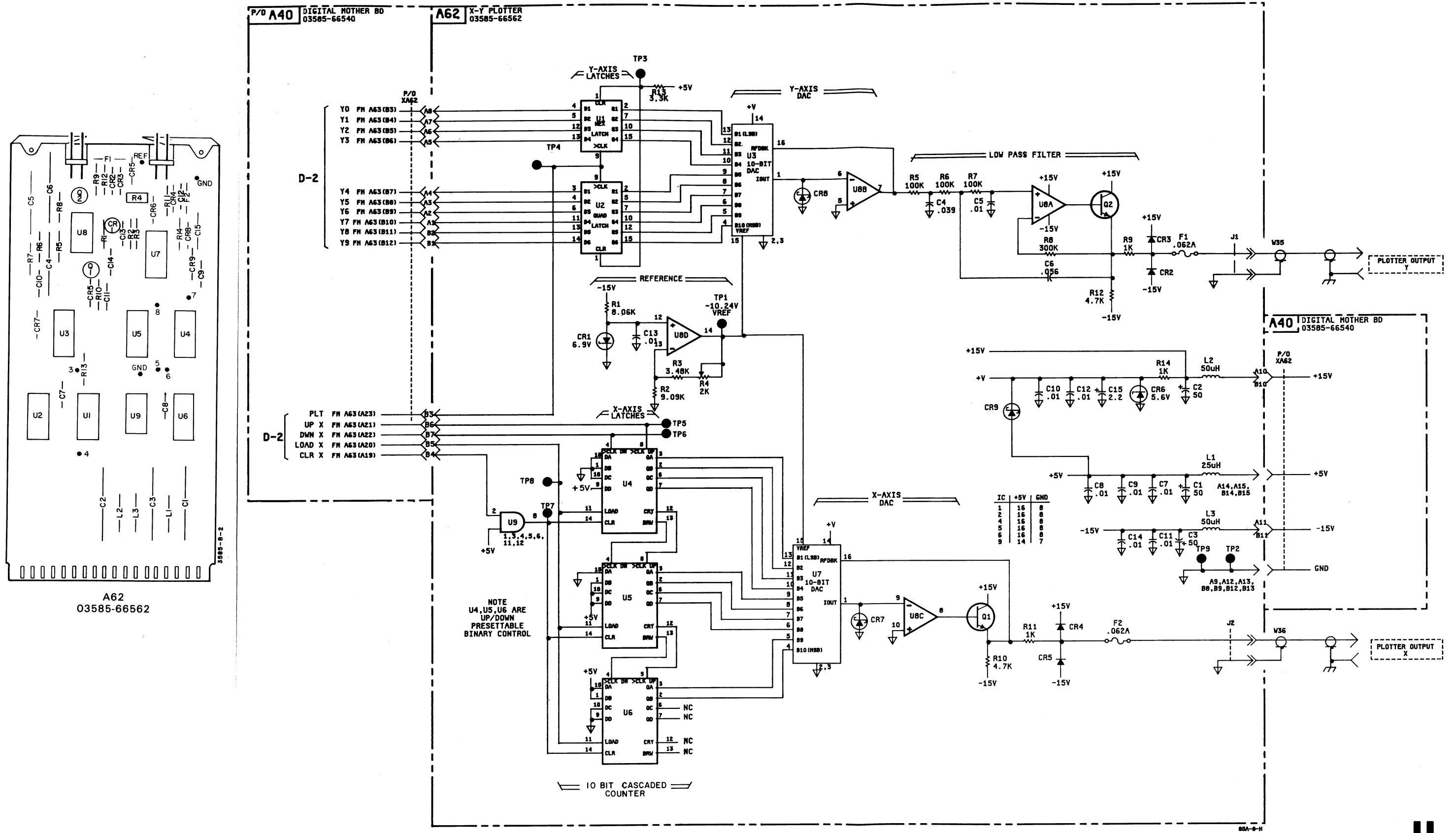
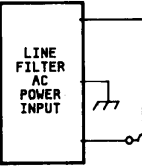
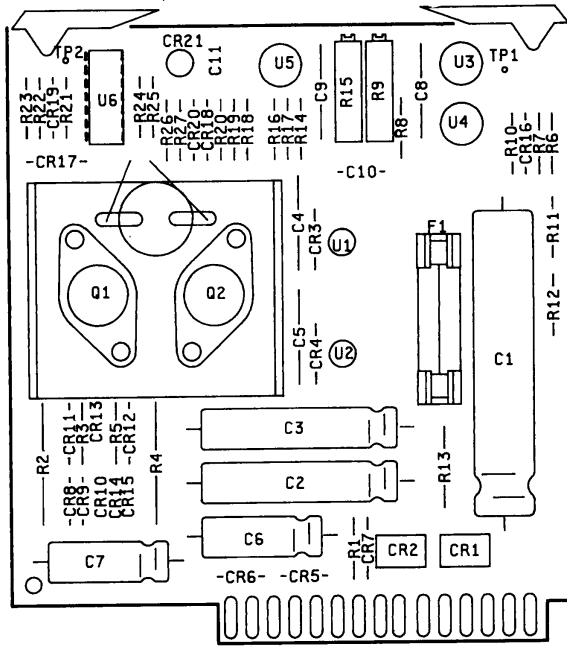
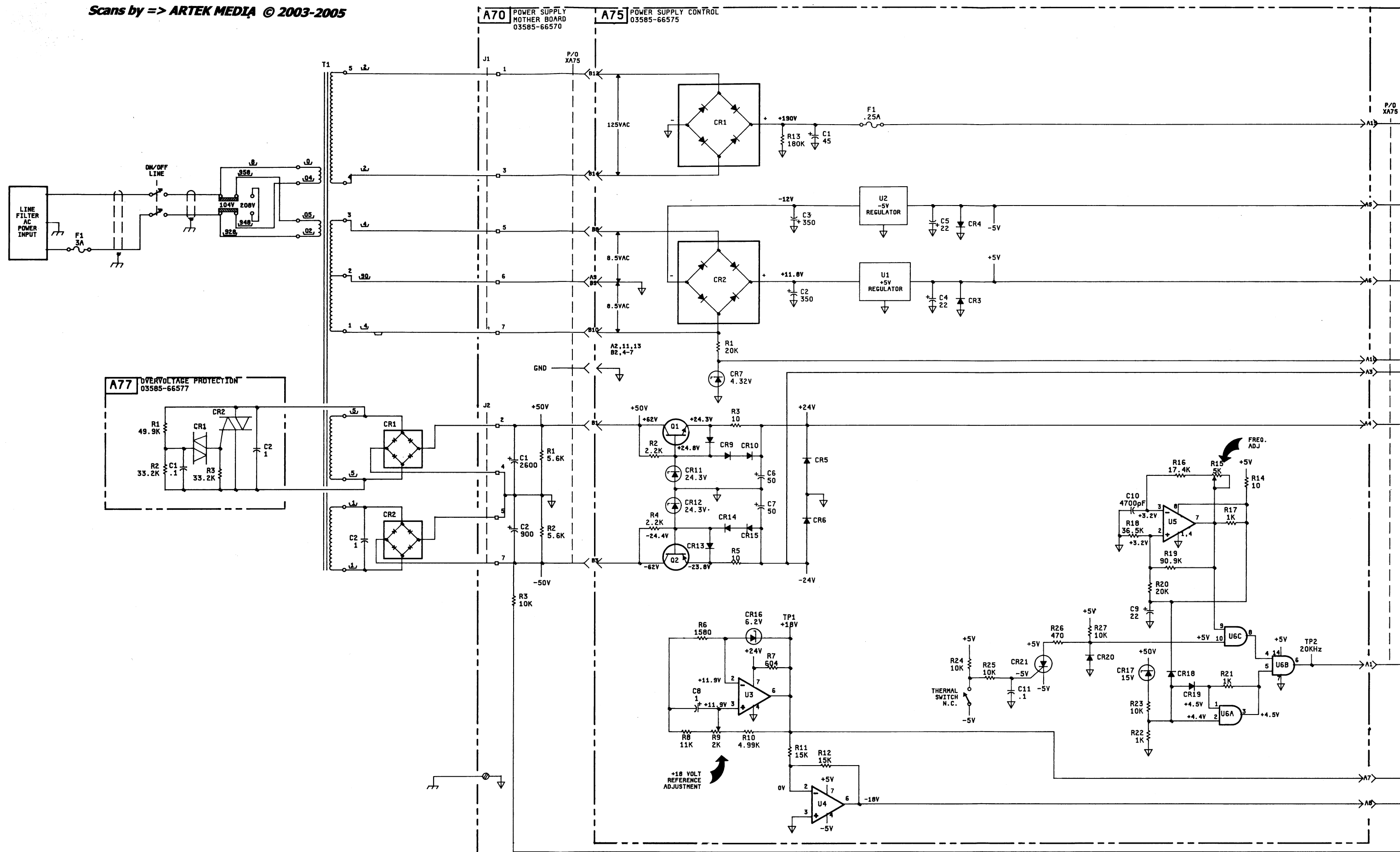


Figure 10-37. X-Y Plotter (66562)  
10-79/10-80



A75  
03585-66575



03585-66570

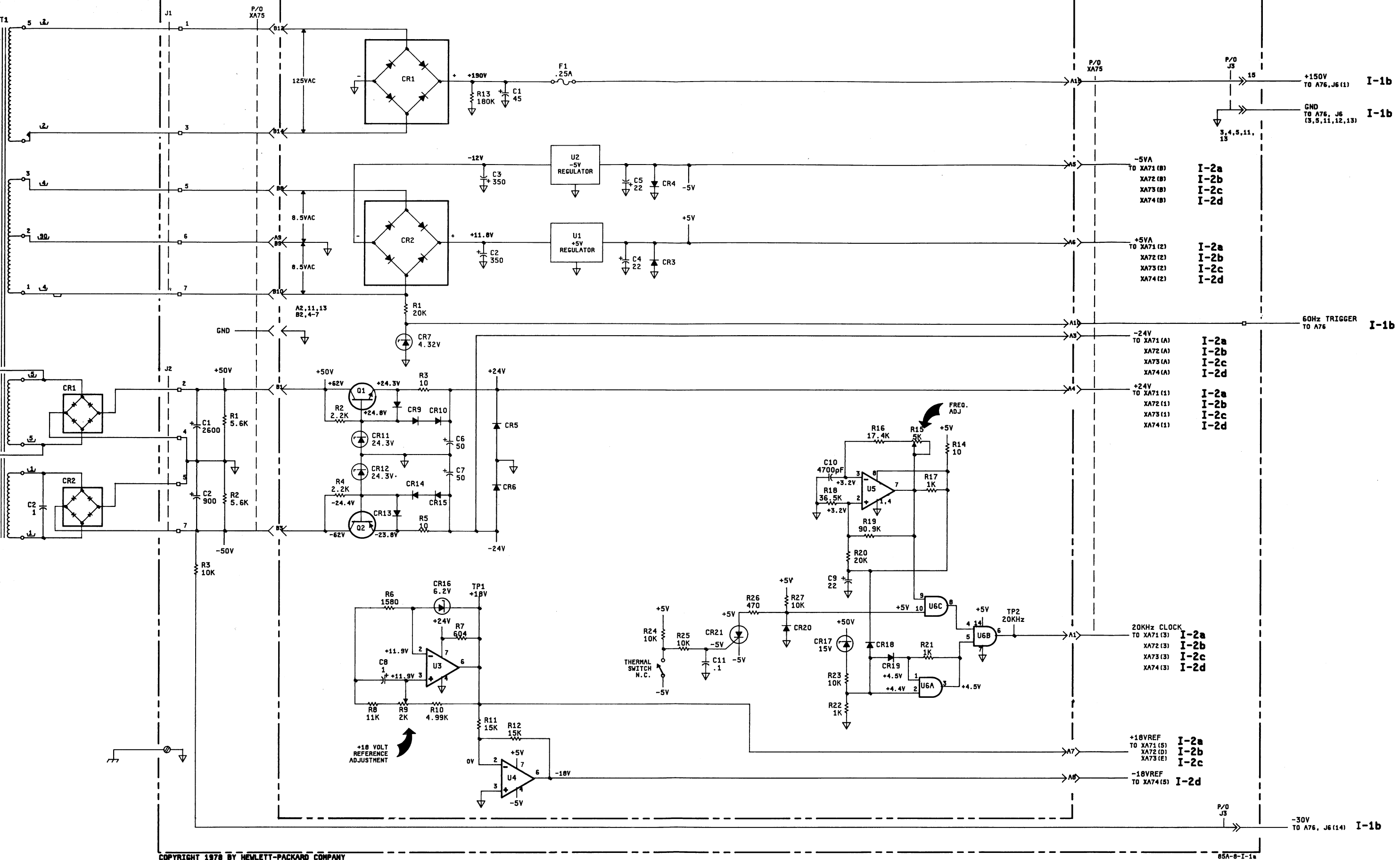
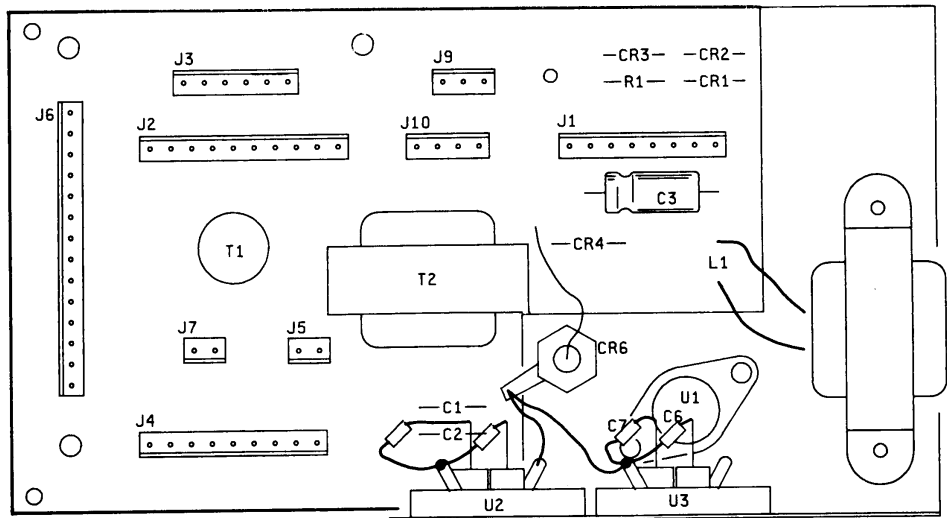


Figure 10-38. Power Supply Control (66575)  
10-81/10-82

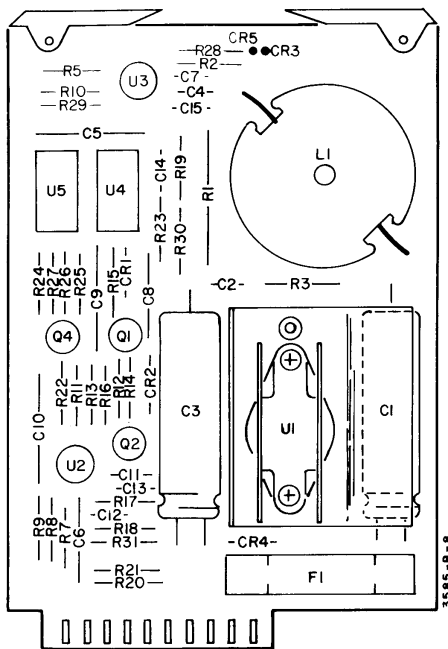
I-1a



A76  
03585-66576







**NOTE**

For waveform 3, the amplitude of the pulses may vary between the two extremes illustrated.

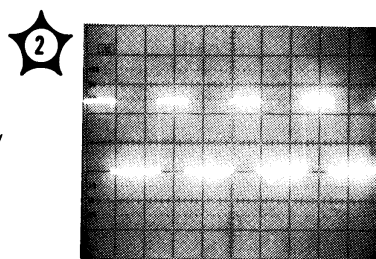
To obtain the DC voltages and AC waveforms, remove U1 and place a 100Ω, 5%, 1/4 watt resistor across pins 3 and 4 of U1. Before replacing U1, discharge C1 and C3 to prevent permanent damage to U1.

A71  
03585-66571



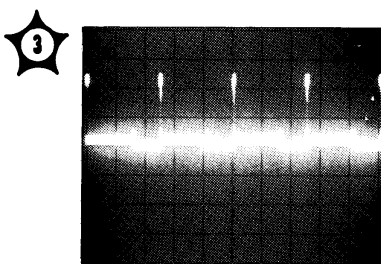
2V/DIV

20μsec/DIV



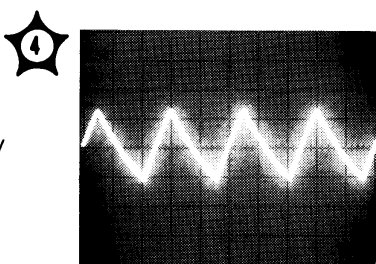
1V/DIV

20μsec/DIV



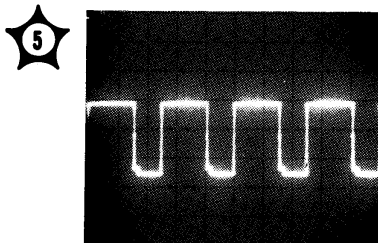
2V/DIV

20μsec/DIV



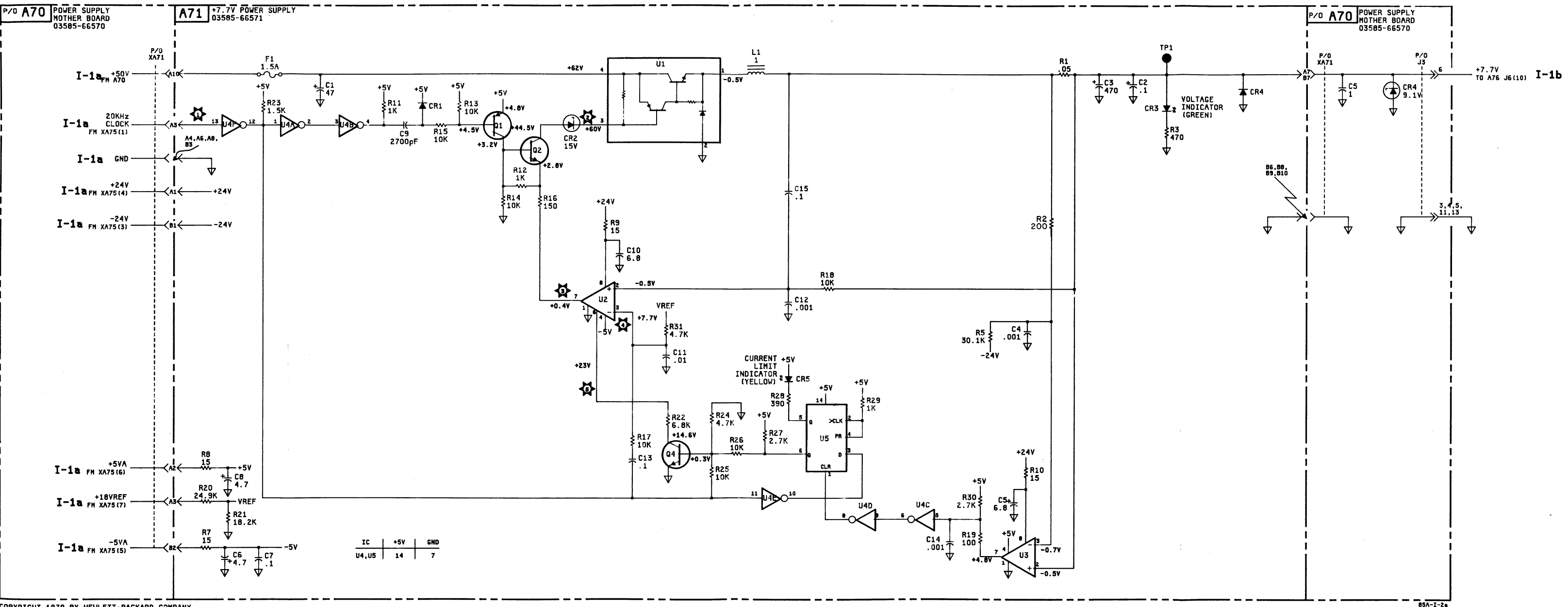
0.2V/DIV

20μsec/DIV



1V/DIV

20μsec/DIV

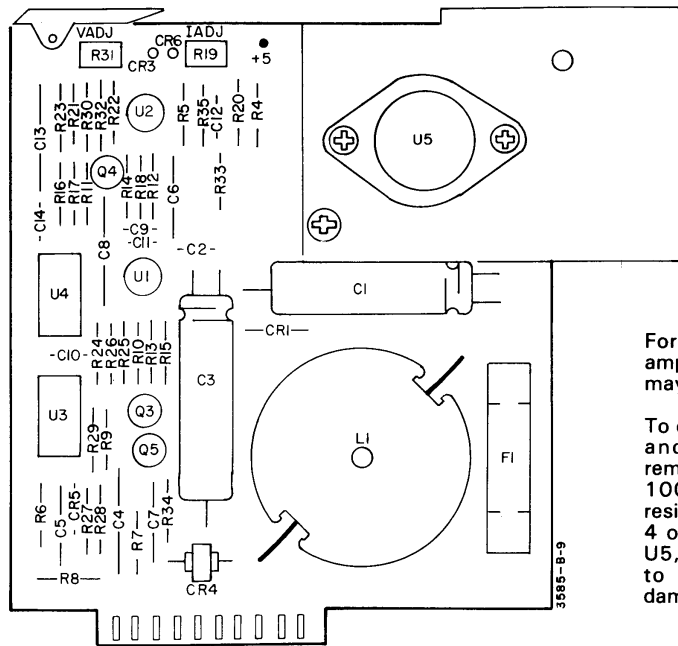


COPYRIGHT 1979 BY HEWLETT-PACKARD COMPANY

85A-1-2a

I-2a

Figure 10-40. +7.7V Power Supply (66571)  
10-85/10-86

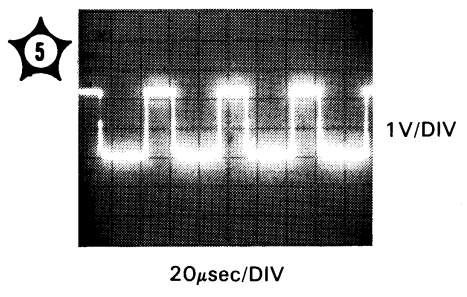
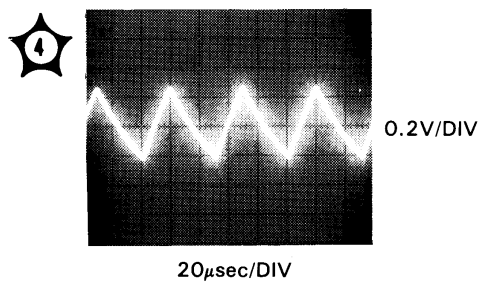
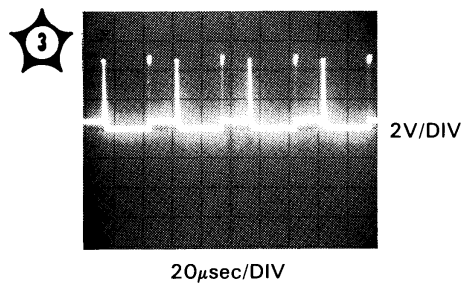
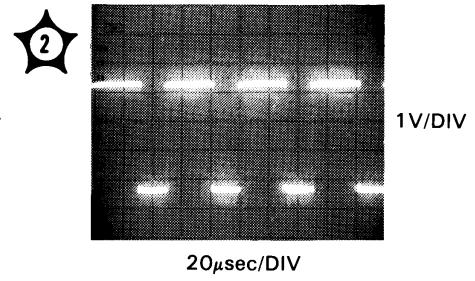
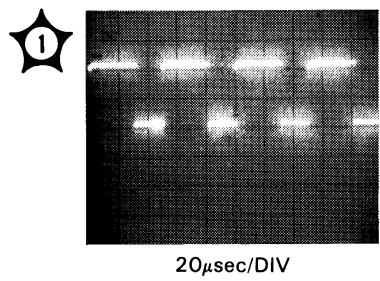


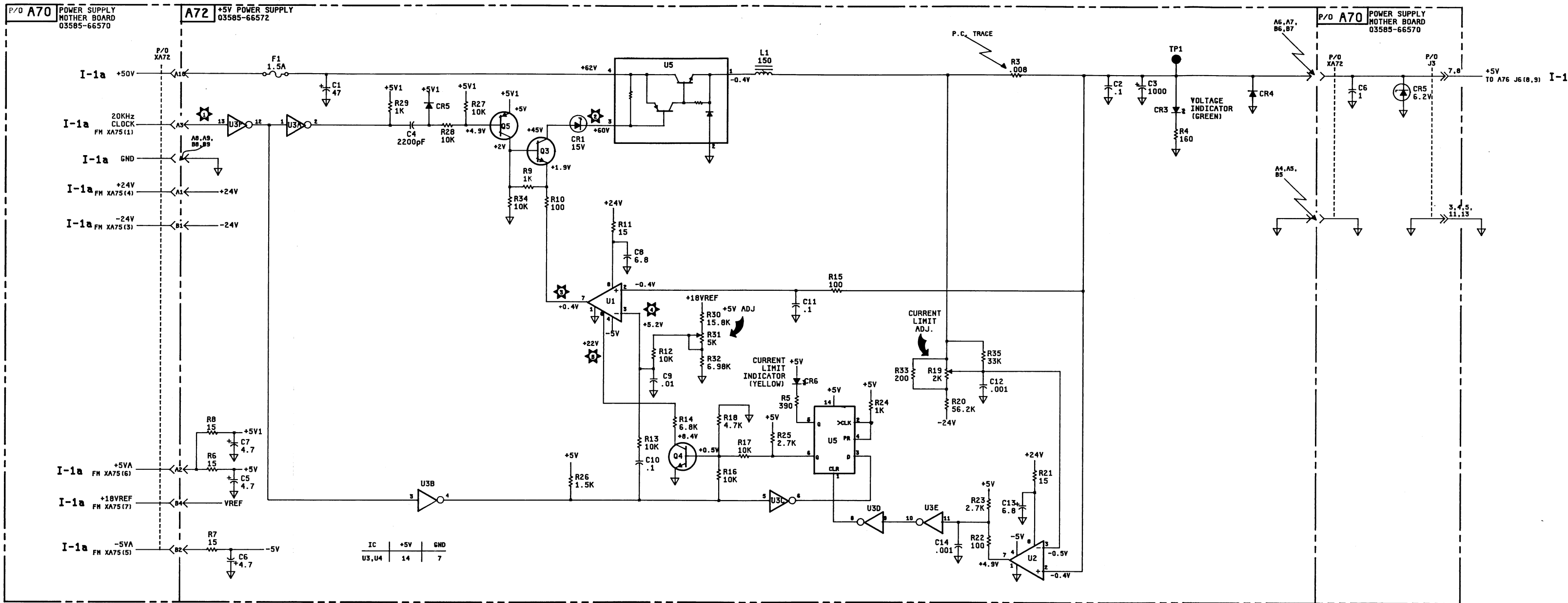
**NOTE**

For waveform 3, the amplitude of the pulses may vary.

To obtain the DC voltages and AC waveforms, remove U5 and replace a 100Ω, 5%, 1/4 watt resistor across pins 3 and 4 of U5. Before replacing U5, discharge C1 and C3 to prevent permanent damage to U5.

A72  
03585-66572



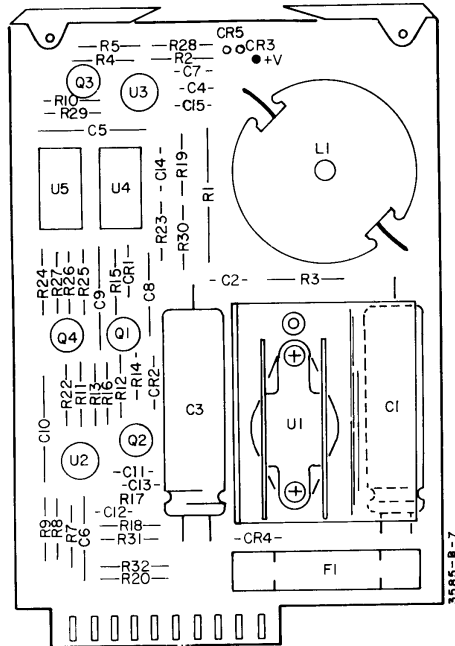


COPYRIGHT 1979 BY HEWLETT-PACKARD COMPANY

05A-9-1-2b

I-2b

Figure 10-41. +5V Power Supply (66572)  
10-87/10-88

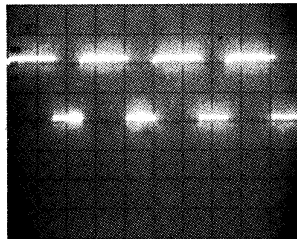


**NOTE**

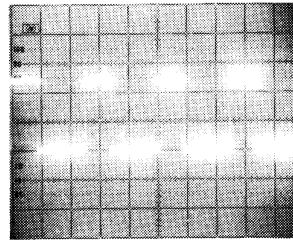
For waveform 3, the amplitude of the pulses may vary between the two extremes illustrated.

To obtain the DC voltages and AC waveforms, remove U1 and place a 100Ω, 5%, 1/4 watt resistor across pins 3 and 4 of U1. Before replacing U1, discharge C1 and C3 to prevent permanent damage to U1.

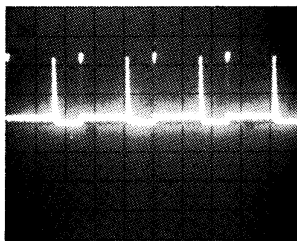
A73  
03585-66573



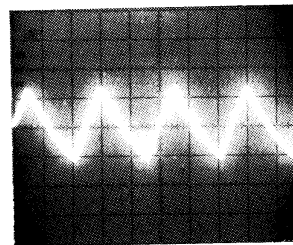
20μsec/DIV



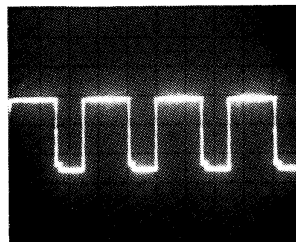
20μsec/DIV



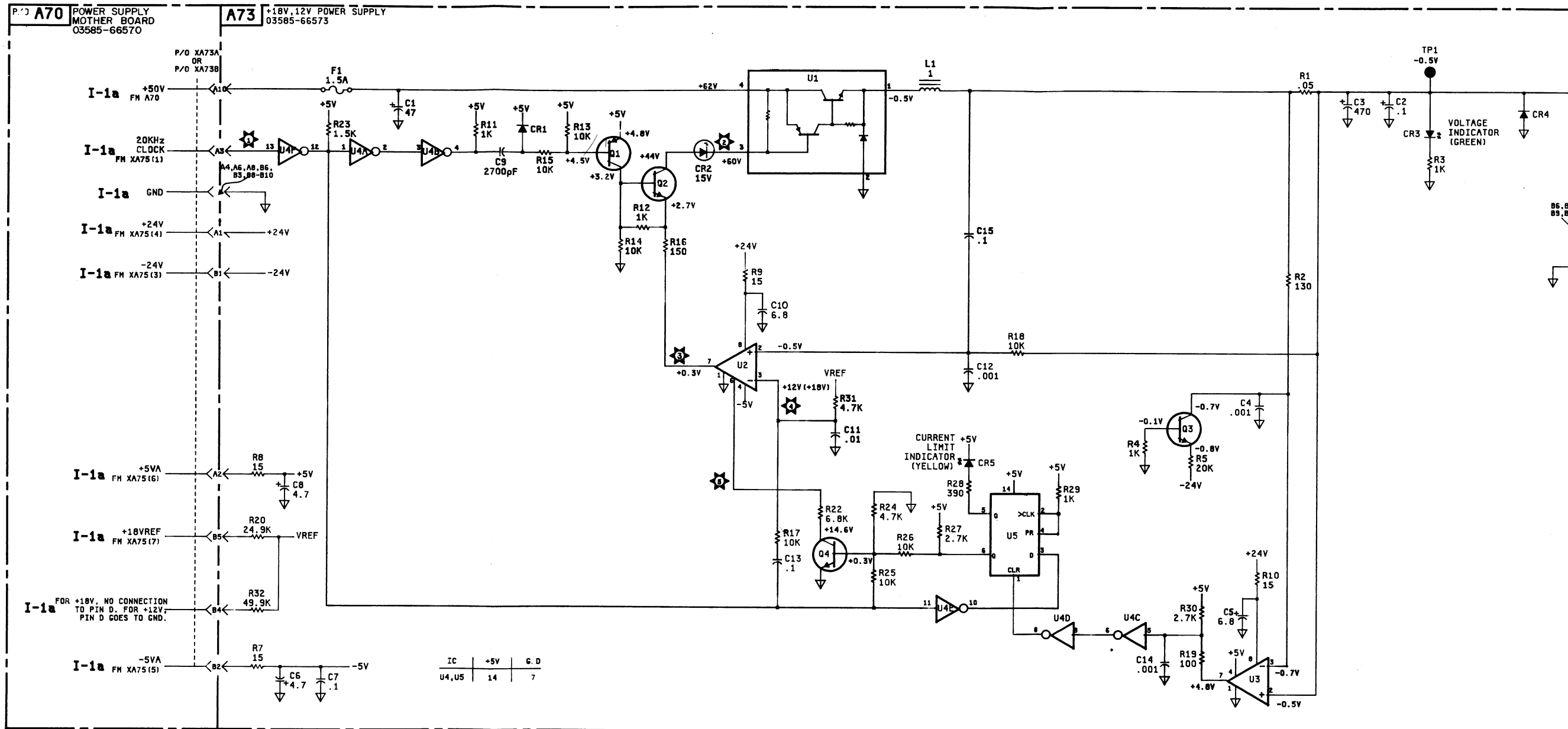
20μsec/DIV

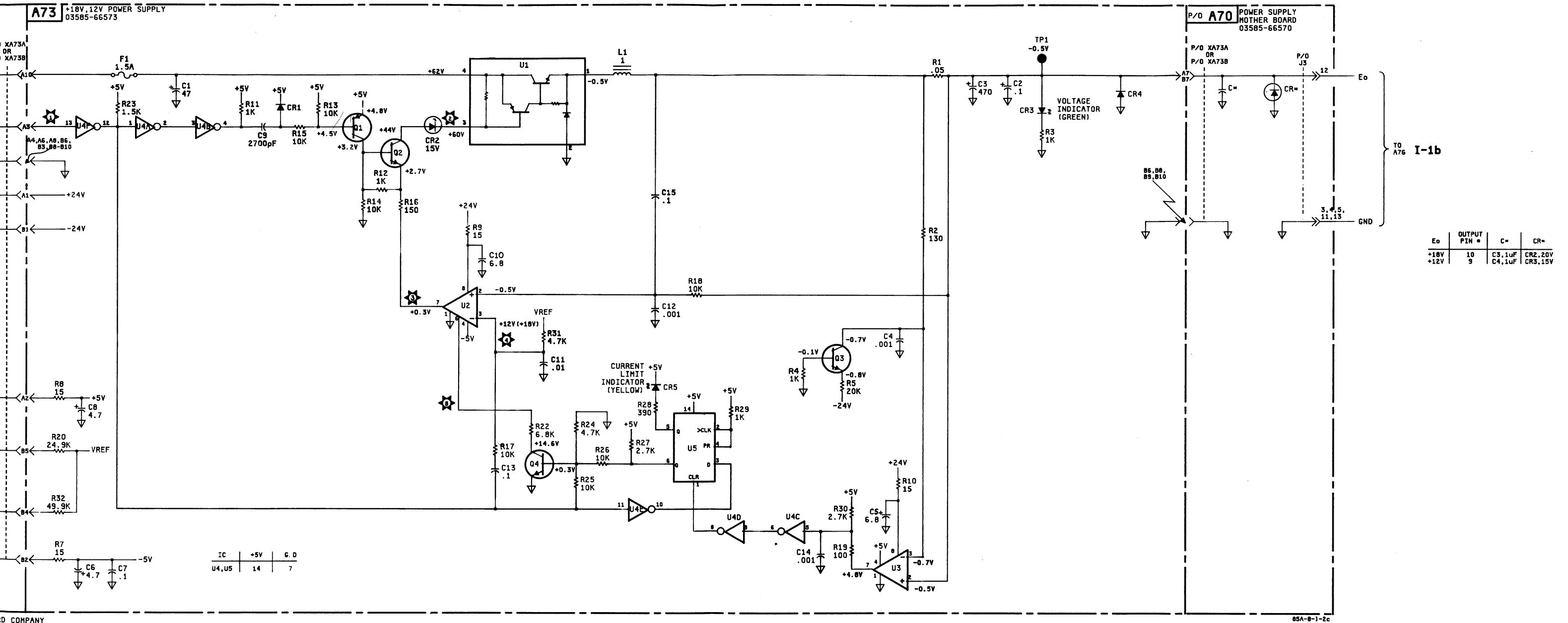


20μsec/DIV



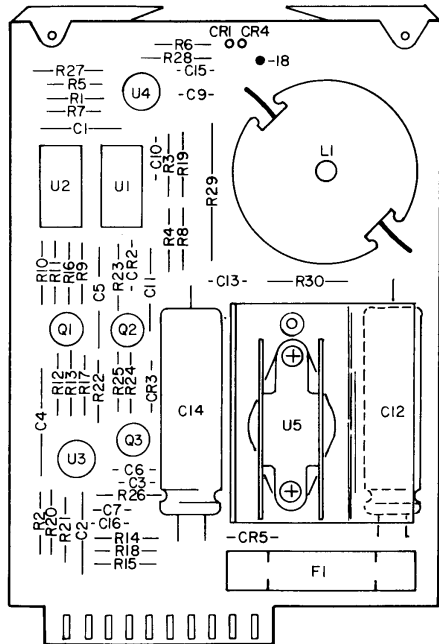
20μsec/DIV





I-2c

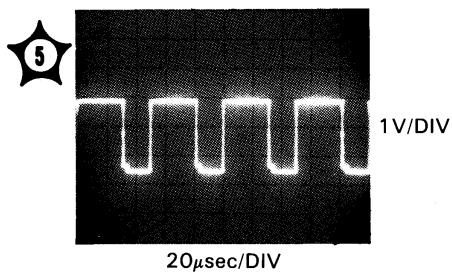
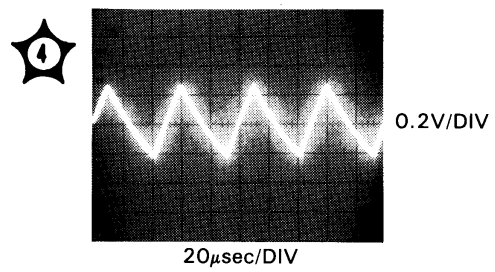
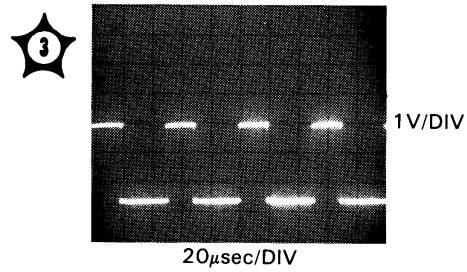
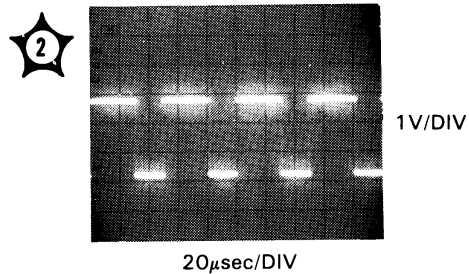
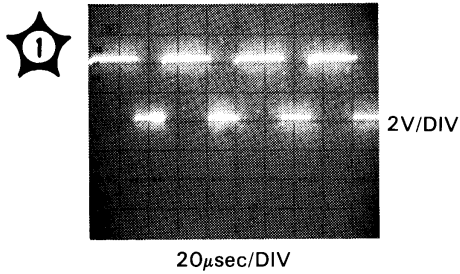
Figure 10-42. +18V, +12V Power Supply (66573)  
10-89/10-90



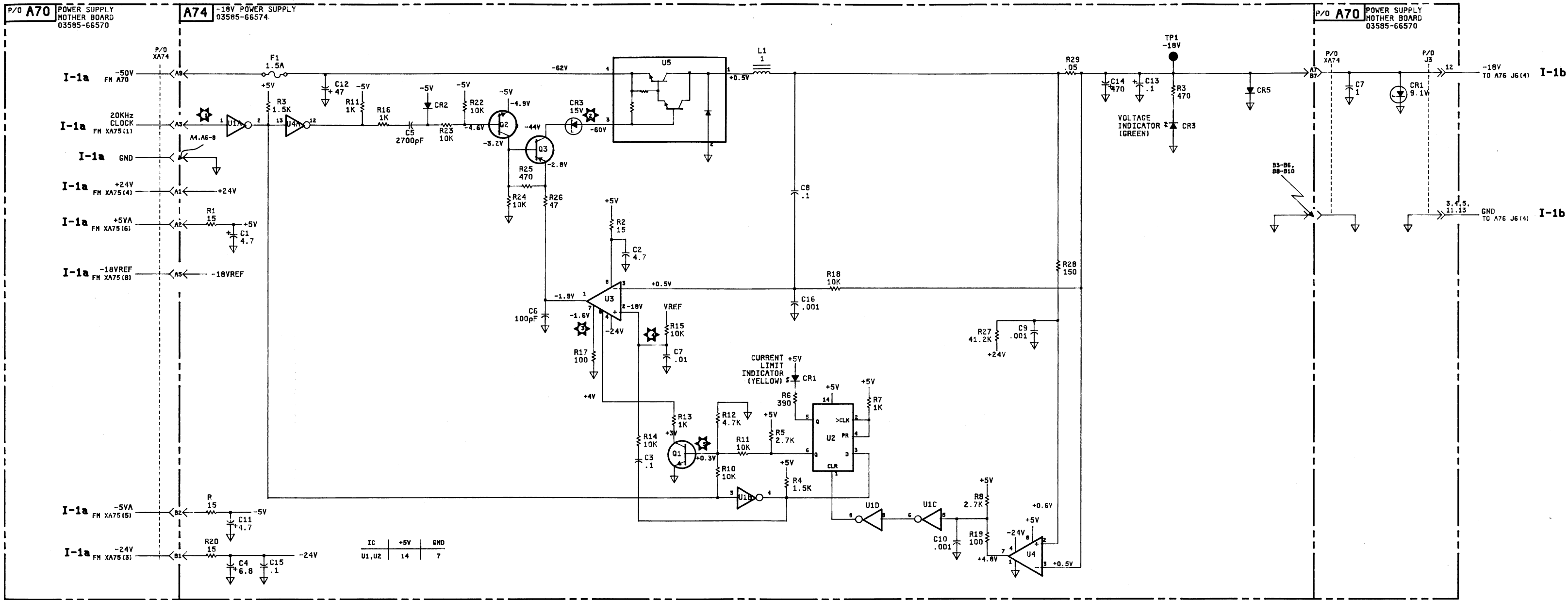
**NOTE**

To obtain the DC voltages and AC waveforms, remove U5 and place a 100Ω, 5%, 1/4 watt resistor across pins 3 and 4 of U5. Before replacing U5, discharge C12 and C14 to prevent permanent damage to U5.

A74  
03585-66574







COPYRIGHT 1979 BY HEWLETT-PACKARD COMPANY

65A-8-1-3d

I-2d

Figure 10-43. -18V Power Supply (66574)  
10-91/10-92